



A TEREX BRAND

Parts Manual

Serial Number Range

GTH-636

from SN GTH06E-11750

Part No. 1286738GT
Rev: A.04
July 2023

Technical Publications

Genie has endeavored to deliver the highest degree of accuracy possible. However, continuous improvement of our products is a Genie policy. Therefore, product specifications are subject to change without notice.

Readers are encouraged to notify Genie of errors and send in suggestions for improvement. All communications will be carefully considered for future printings of this and all other manuals.

Contact Us:

Internet: www.genielift.com
e-mail: awp.techpub@terex.com

Find a Manual for this Model


Go to <http://www.genielift.com>

Use the links to locate Operator's, Parts, Maintenance, and Service and Repair Manuals.

Copyright © 2018 by Terex Corporation

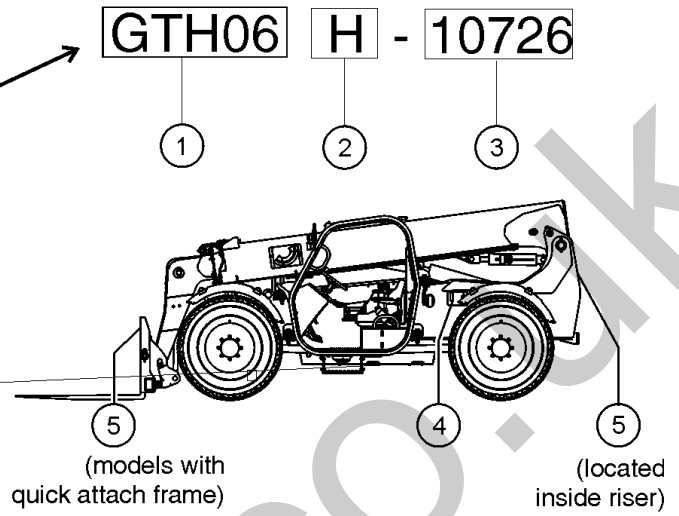
1286738GT Rev A.04 July 2023
First Edition, First Printing

Genie and "GTH" are registered trademarks of Terex South Dakota, Inc. in the USA and many other countries.

 Printed on Recycled paper

Genie
A TEREX BRAND

MODEL: GTH636
SERIAL NUMBER:GTH06H-12001
ATTACHMENT:
YEAR OF MANUFACTURE: 01/12/15
TOTAL TRUCK WEIGHT(LBS):
MAX LIFT CAPACITY(LBS):
LIFT CAPACITY(LBS)



- 1 Model
- 2 Facility code
- 3 Sequence number

- 4 Serial label (stamped on chassis)
- 5 Serial number (located under cover)

How to Order Parts

Please be prepared with the following information when ordering replacement parts for your Terex or Genie product.

- Machine model number
- Machine serial number
- Part number
- Part description and quantity
- Purchase order number
- "Ship to" address
- Desired method of shipment
- Name and telephone number of the authorized distributor in your area

Use the Service Parts Fax Order Form on the next page and fax your order to our Parts Department.

If you don't know the name of your authorized distributor, or if your area is not currently serviced by an authorized distributor, please call Terex or Genie Industries.

Machine Information

Model

Serial Number

Date of Purchase

Authorized Genie Distributor

Phone Number

North America

Telephone (425)881-1800

Toll Free (800)536-1800 in US and Canada

Fax (425)556-8659

Toll Free fax (888)274-6192

Email AWP.PartsSalesPO@terex.com

<http://genielift.com/en>

EMEAR (Europe, Middle East, Africa and Russia)

Telephone (31)(165)519 313

Fax (31)(165)511 148

<http://genielift.co.uk>

Asia Pacific (Genie Singapore)

Telephone +65 6692 7777

Fax +65 6261 8893

<http://genielift.com.sg/>

Australia

Telephone (61)(7)3456 4444

Fax (61)(7)3456 4466

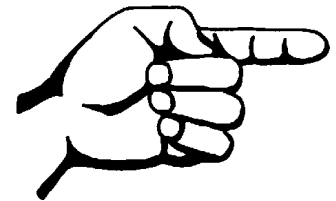
<http://genielift.com.au>

South America

Telephone (55)(11)4082 5600

Fax (55)(11)4082 5630

Please refer to section 001 for the Recommended Spare Parts List.



This page intentionally left blank.

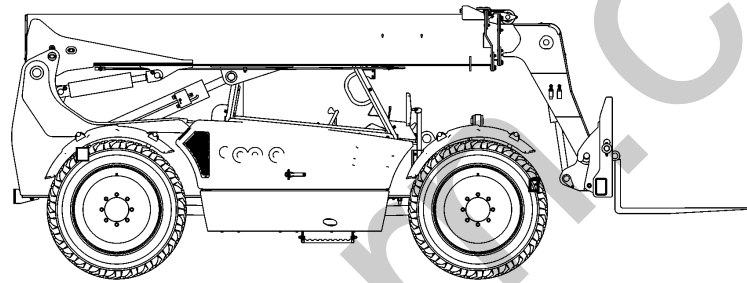
Description	Page
001 Parts Stocking List	10
001.1 Parts Stocking List	10
100 Decals	14
101.1 Decals with Words	14
102.1 Decals with Symbols	18
200 Drive Chassis Components.....	22
201.1 Front Chassis View	22
202.1 Rear Chassis View	26
203.1 Center Chassis View	30
204.1 Engine Tray Assembly	34
205.1 Engine Cover Assembly	40
206.1 Front Axle View	44
207.1 Rear Axle View	46
208.1 Central Housing, Front Axle	48
209.1 Hub Reduction, Front Axle	50
210.1 Differential, Front Axle	56
211.1 Brakes, Front Axle	62
212.1 Steering, Front Axle	64
213.1 Trunion, Front Axle	66
214.1 Central Housing, Rear Axle	68
215.1 Differential, Rear Axle	70
216.1 Hub Reduction, Rear Axle	72
217.1 Steering, Rear Axle	76
218.1 Trunion, Rear Axle	78
300 Transmission Components	80
301.1 Converter Housing	80
302.1 Transmission Case	82
303.1 Torque Converter	86
304.1 Gear Assembly	88
305.1 Pump Drive Assembly	90
306.1 Charge Pump Assembly	92
307.1 Reverse Idler	94
308.1 Forward and Reverse Shaft	96
309.1 Third Gear Shaft	98
310.1 First and Second Gear Shaft	100
311.1 Output Shaft	104
312.1 Control and Modulation Valves	106
313.1 Flex Plate	108

Table of Contents

Description	Page
314.1 Transfer Case (drop box)	110
400 Cab Components	114
401.1 Standard Cab Components, View 1	114
402.1 Standard Cab Components, View 2	120
403.1 Standard Cab Components, View 3	124
404.1 Standard Cab Components, View 4	126
405.1 Joystick Controller Assemblies	130
406.1 Enclosed Cab Assembly Option, View 1	132
407.1 Enclosed Cab Assembly Option, View 2	136
408.1 Enclosed Cab Assembly Option, View 3	138
409.1 Enclosed Cab Assembly Option, View 4	140
410.1 Enclosed Cab Assembly Option, View 5	142
411.1 Enclosed Cab Assembly Option, View 6	144
412.1 Enclosed Cab Assembly Option, View 7	146
413.1 Enclosed Cab Assembly Option, View 8	148
414.1 Enclosed Cab Assembly Option, View 9	150
500 Engine Components	152
501.1 Deutz 2.9TD T4 Engine, View 1	152
502.1 Deutz 2.9TD T4 Engine, View 2	156
503.1 Deutz 2.9TD T4 Engine, View 3	160
504.1 Deutz 2.9TD T3 Engine, View 1	166
505.1 Deutz 2.9TD T3 Engine, View 2	170
506.1 Deutz 2.9TD T3 Engine, View 3	174
507.1 Deutz Fuel Assembly	180
600 Boom Components	184
601.1 Small Boom Assembly	184
602.1 Middle Boom Assembly	186
603.1 Large Boom Assembly	190
604.1 Extend Cylinder Assembly	194
700 Fork and Frame Components	196
701.1 Fork Frame, Quick Attachment	196
702.1 Fork Frame, Rotate Attachment	200
703.1 Fork Frame, Swing Carriage Attachment	204
800 Hydraulic Components	206
801.1 Axle_Steering and Pump Components	206
802.1 Boom Components	210
803.1 PVG Manifold	214

Description	Page
804.1 Secondary Manifold	216
805.1 Brake Manifold	218
806.1 Hydraulic Pump	220
900 Options	222
901.1 Worklights/Roadlights	222
902.1 Cab Heater/AC Detail	226
903.1 Deutz AC Components	230
904.1 Heater Components	234
905.1 Telematics Option	236
906.1 PASS Option, Deutz 2.9 (from SN GTH06E-13004)	238
907.1 Backup Camera Option	240
1000 Wire Harnesses	242
1001.1 Single Joystick System Harnesses	242
1002.1 Engine Harnesses - Deutz Engines	244
1003.1 Work and Road Light Harnesses	246
1004.1 Cab Heater and HVAC Harnesses	248
Part Number Index	250

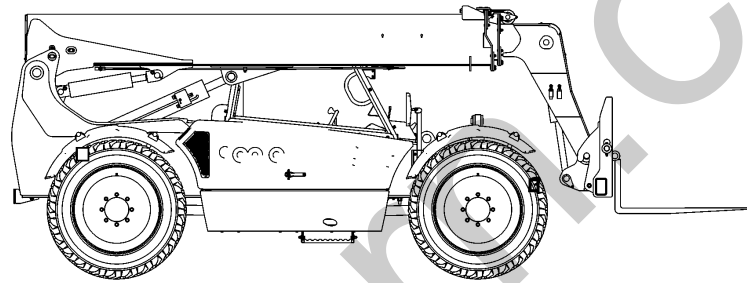
001.1 Parts Stocking List



- A - Inspection Service Kits
- B - General Service Parts
- C - Manuals
- D - Filters
- E - Deutz TD2.9 Models

Item	Part No.	Description	Qty.
A		—INSPECTION SERVICE KITS—	
B		—GENERAL SERVICE PARTS—	
B-	1288309GT	6K/8K CYLINDER CHOCK ASSMEBLY includes mounting fasteners	
B-	1484GT	PAINT, AEROSOL, BRIGHT BLUE*** 12-ounce spray paint	
B-	1268GT	PAINT, AEROSOL, GENIE GRAY*** 12-ounce spray paint	
B-	1258567GT	PAINT, AEROSOL, TRAFFIC BLACK 12-ounce spray paint	
B-	32150GT	PAINT, WET, GENIE BLUE (1 GL)** 1-gallon	
B-	32151GT	PAINT, WET, GENIE GRAY (1GL)** 1-gallon	
B-	1257733GT	PAINT, WET, TRAFFIC BLACK(1 GL)** 1-gallon	
B-	66399GT	GREASE, DIELECTRIC 4 OZ**	
B-	1283776GT	SEAL MARKER,CROSS CHECK,BLUE,TUBE	
B-	1288232GT	GENIE GTH-844 SERVICE AND REPAIR MANUAL	
B-	93500GT	PARKER DIGITAL PRESSURE GAUGE	
B-	49612GT	O-RING KIT (ORFS FITTINGS) O-ring kit, ORFS	
B-	49613GT	PLUG AND CAP KIT-SERVICE,ORFS* Plug and cap kit, ORFS	
B-	28750GT	O-RING KIT,FIELD SVC,ALL PROD* O-ring kit, SAE	
B-	33994GT	PLUG AND CAP KIT-SERVICE,37 ** Plug and cap kit, SAE	
C		—MANUALS—	
C-	27581GT	MANUAL, SAFTY MANNAL	
C-	1286012GT	GENIE GTH-636 OPERATOR'S MANUAL	
C-	1287209GT	GENIE GTH-636 SERVICE AND REPAIR MANUAL	
C-	1298933GT	MANUAL, SAIA MANUAL OF RESPONSIBILITIES, MEWP	
C-	1259569GT	SERVICE MANUAL, DANA AXLE	
C-	218706GT	SERVICE MANUAL, DANA TRANSMISSION	
C-	218707GT	OPERATOR'S MANUAL, DEUTZ TCD3.6 MODELS	
C-	117765GT	OPERATOR'S MANUAL, PERKINS 1104D MODELS	
C-	117765GT	OPERATOR'S MANUAL, PERKINS 1104D MODELS	

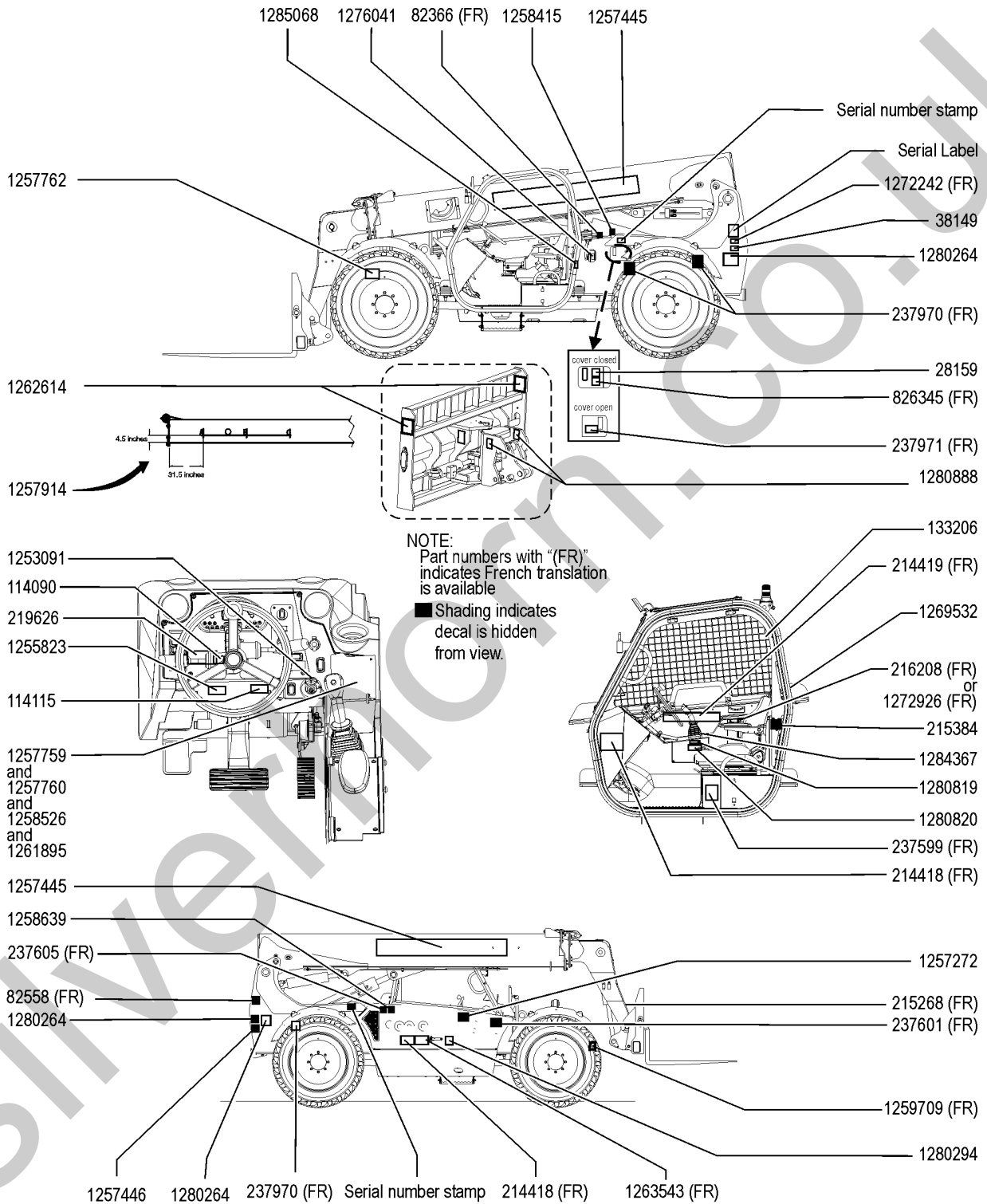
001.1 Parts Stocking List



- A - Inspection Service Kits
- B - General Service Parts
- C - Manuals
- D - Filters
- E - Deutz TD2.9 Models

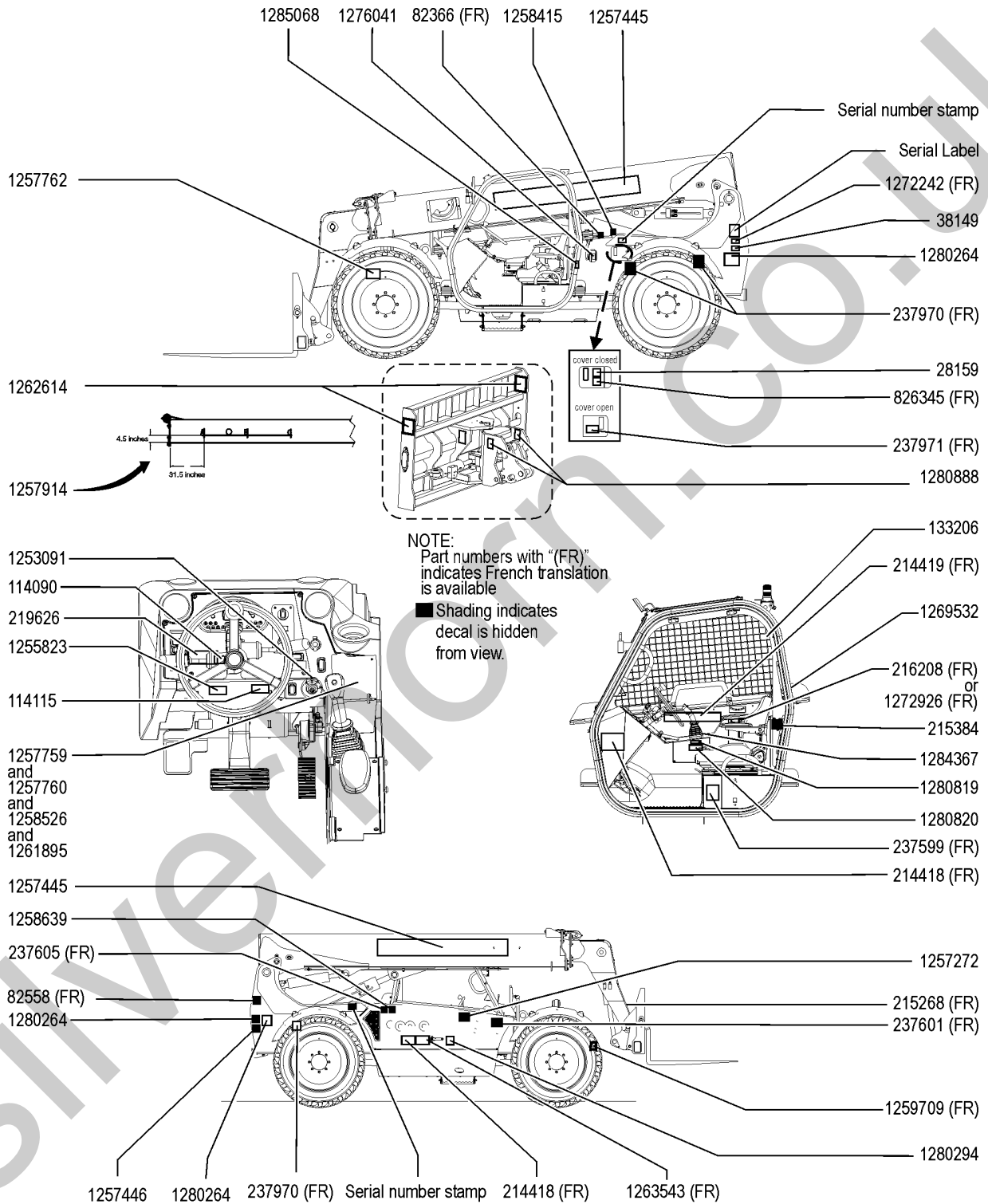
Item	Part No.	Description	Qty.
C-	218708GT	OPERATOR'S MANUAL, PERKINS 854E MODELS	
D		—FILTERS—	
D-	7-126-349GT	TRANSMISSION OIL FILTER	
D-	117379GT	ELEMENT, HYDRAULIC FILTER	
D-	1256219GT	FILTER, MAIN, M+H IQORON V7	
D-	1256220GT	FILTER, SECONDARY, M+H IQORON V7	
E		—DEUTZ TCD2.9 MODELS—	
E-	214228GT	FILTER, FUEL SPIN-ON, DEUTZ	
E-	236260GT	FILTER, FUEL PRE-FILTER, SPIN-ON, DEUTZ	
E-	49924GT	FILTER, OIL, DEUTZ	
E-	825703GT	RADIATOR FAN BELT, TD2.9	
E-	1262866GT	FAN BELT, ALTERNATOR	1

101.1 Decals with Words



Item	Part No.	Description	Qty.
1	28159GT	DECAL,DIESEL (Diesel)	1
2	38149GT	DECAL LABEL PATENTS (US Only)	1
3	82366GT	DECAL,CHEVRON RANDO HD	1
4	82558GT	DECAL,SKIN INJECTION	1
5	114090GT	DECAL,TRANSMISSION CONTROL	1
6	114115GT	DECAL,STEERING SELECTOR	1
7	133206GT	DECAL,OPEN WINDOW INST	1
8	214418GT	DECAL,DANGER/WARNING	2
9	214419GT	DECAL, 6 DECAL COMBO	1
10	215268GT	DECAL,FALL HAZARD,WORK PLAT	1
11	215384GT	DECAL, LABEL, FOPS/ROPS	1
12	216208GT	DECAL DIAGNOSTIC LED FUNCTIONS	1
13	219626GT	DECAL,COSMETIC,GENIE DOMED,BLK	1
14	237599GT	DECAL,WARNING,WEAR SEAT BELT	1
15	237601GT	DECAL,BURN HAZARD	1
16	237605GT	DECAL,HOT PARTS	1
17	237970GT	DECAL,CRUSH HAZARD,TIRES	3
18	237971GT	DECAL,EXPLOSION,FUELING	1
19	826345GT	DECAL,ULS DIESEL ONLY,TIER 4 (tier 4 engines)	1
20	1253091GT	DECAL,KEY IGNITION, 8/10K	1
21	1255823GT	DECAL, TOP GEAR LOCKOUT,GC2,ZF	1
22	1257272GT	DECAL,GTH636 ENGINE TRAY	1
23	1257445GT	DECAL,COSMETIC,GENIE GTH-636	2
24	1257446GT	DECAL,COSMETIC,GENIE GTH636 SM	1
25	1257759GT	CARD,LOAD RNG,GTH636 STD	1
26	1257760GT	CARD,LOAD RNG,GTH636 ROT	1
27	1257762GT	DECAL,TRANSPORT/LIFT DIAGRAM	1
28	1257914GT	DECAL,A-C,GTH636,WHITE	1

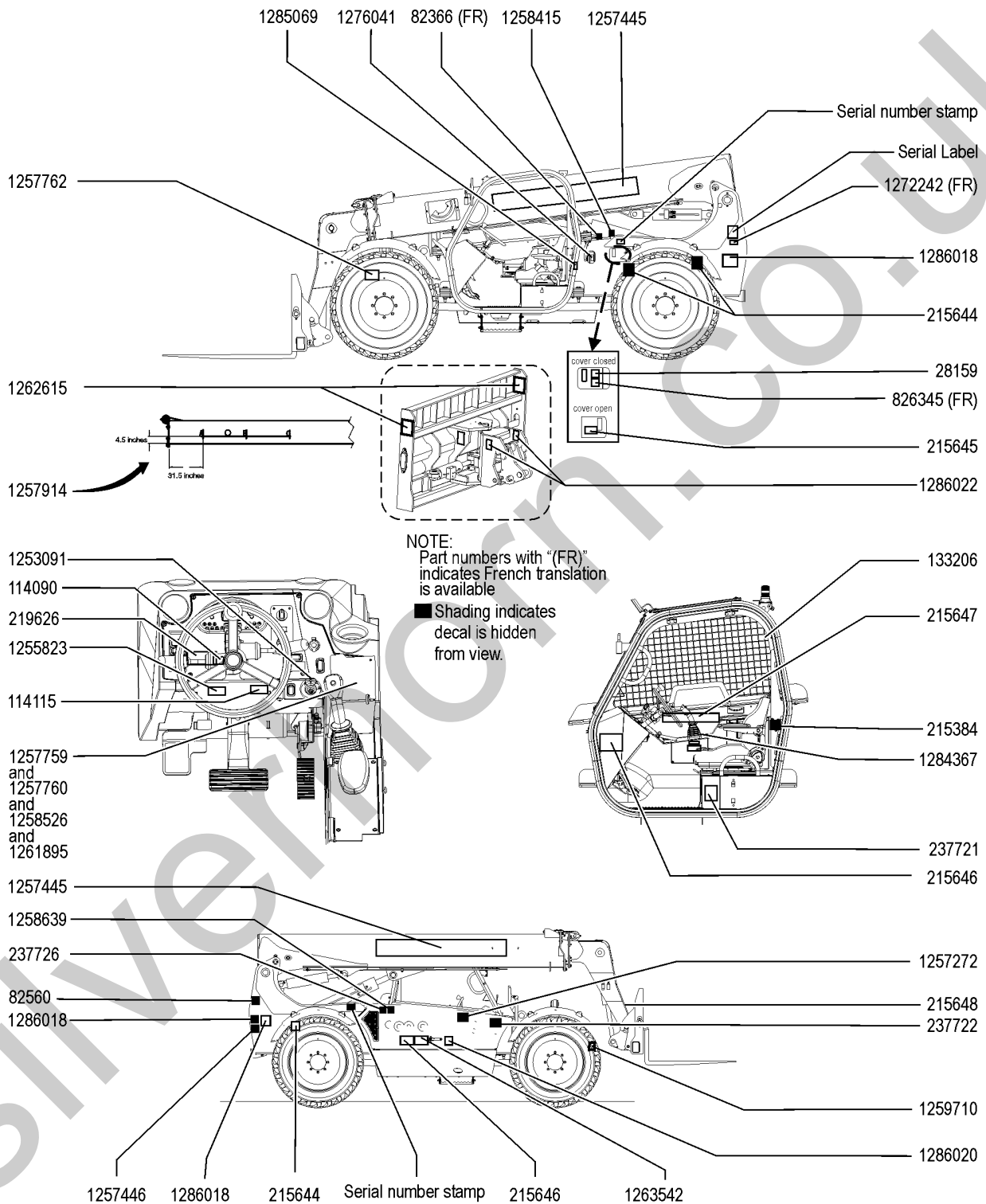
101.1 Decals with Words



Item	Part No.	Description	Qty.
29	1258415GT	DECAL, HYDRAULIC FILTER ACCESS	1
30	1258526GT	CARD,LOAD RNG,GTH636 SUSP	1
31	1258639GT	DECAL,COSMETIC,7.5" GENIE WHIT	1
32	1259709GT	DECAL,2 DECAL COMBO	1
33	1261895GT	CARD,LOAD RNG,GTH636 SWG	1
34	1262614GT	DECAL,WARN,SWG OVERTURN EN	2
35	1263543GT	DECAL,COMPARTMENT ACCESS	1
36	1266019GT	DECAL, LABEL, SHELL TELLUS	1
37	1269532GT	DECAL, SAFE T PUNCH	1
38	1272242GT	DECAL,MACHINE REGISTRATION/OWNER TRANSFER	1
39	1272926GT	DECAL, FUSE/RELAY BOARD, GTH	1
40	1276041GT	DECAL,FILL LEVEL,TANK,20 GAL	1
41	1280264GT	DECAL, CRUSH HAZARD, TELEHANDLER	3
42	1280294GT	DECAL, BURN HAZARD, 2 PANEL	1
43	1280819GT	DECAL,WARNING,CANCER AND REPRODUCTIVE HARM, PROP 65 (ANSI Only)	1
44	1280820GT	DECAL,FUEL,DIESEL EXHAUST, PROP 65 (ANSI Only)	1
45	1280888GT	DECAL, WARN, CRUSH HAZ, 2 PANEL	2
46	1284367GT	DECAL,UNIVERSAL CONTROLLER,2X5	1
47	1285068GT	DECAL - WARNING, CYLINDER CHOCK,WRDS	1

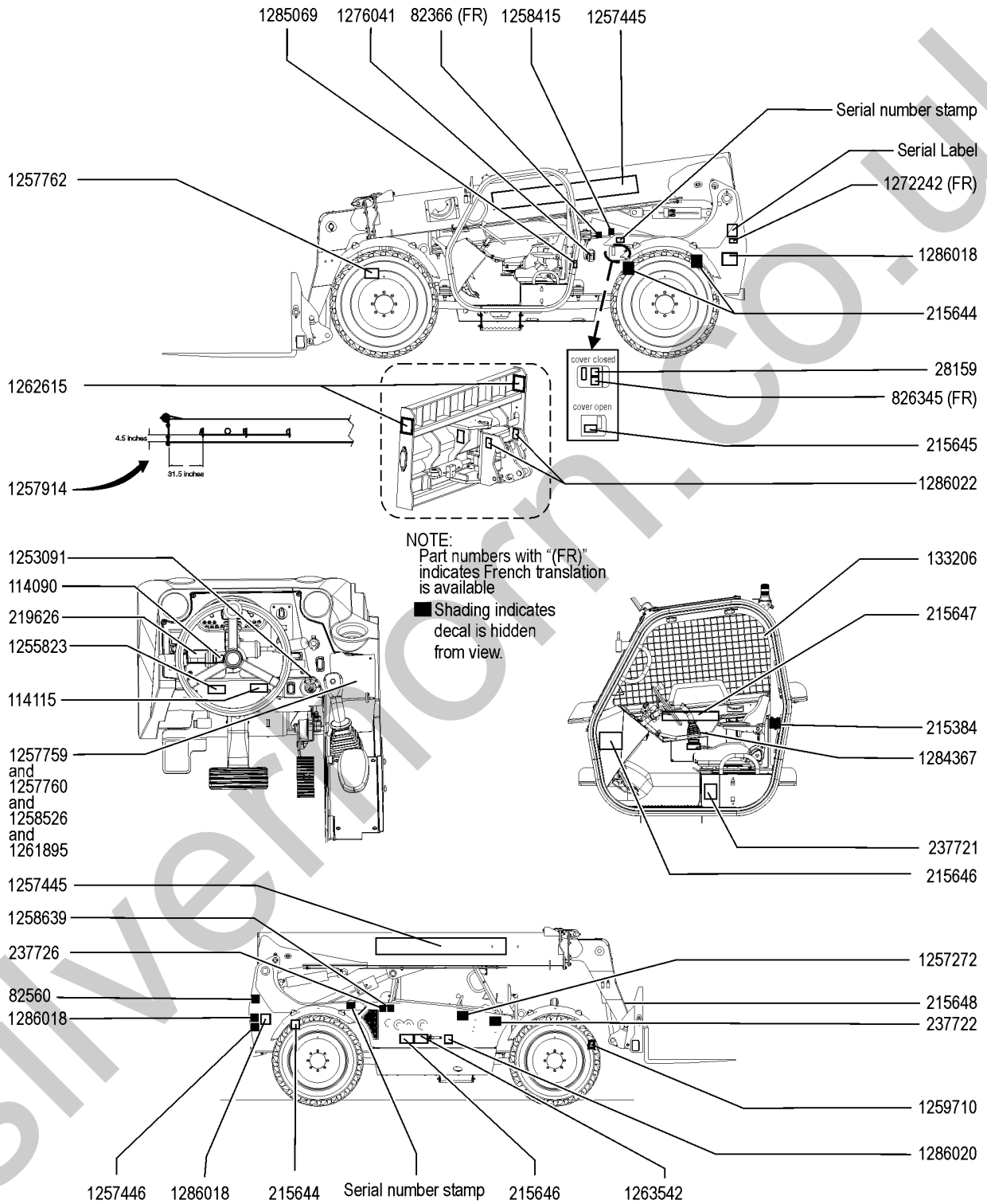


102.1 Decals with Symbols



Item	Part No.	Description	Qty.
1	28159GT	DECAL,DIESEL (Diesel)	1
2	82366GT	DECAL,CHEVRON RANDO HD	1
3	82560GT	DECAL,SYMBOL-SKIN INJECT HAZRD	1
4	114090GT	DECAL,TRANSMISSION CONTROL	1
5	114115GT	DECAL,STEERING SELECTOR	1
6	133206GT	DECAL,OPEN WINDOW INST	1
7	215384GT	DECAL, LABEL, FOPS/ROPS	1
8	215644GT	DECAL,WARNING,CRUSH HAZZARD,TI	3
9	215645GT	DECAL,DANGER,EXPLOSION/BURN,DI	1
10	215646GT	DECAL, 2 DECAL COMBO	2
11	215647GT	DECAL, 2 DECAL COMBO	1
12	215648GT	DECAL, FALL HAZARD	1
13	219626GT	DECAL,COSMETIC,GENIE DOMED,BLK	1
14	237721GT	DECAL,WARN,WEAR SEAT BELT	1
15	237722GT	DECAL,DANGER,BATTERY SAFETY	1
16	237726GT	DECAL,WARN,EXPLOSION/BURN HAZA	1
17	826345GT	DECAL,ULS DIESEL ONLY,TIER 4 (tier 4 engines)	1
18	1253091GT	DECAL,KEY IGNITION, 8/10K	1
19	1255823GT	DECAL,TOP GEAR LOCKOUT,GC2,ZF	1
20	1257272GT	DECAL,GTH636 ENGINE TRAY	1
21	1257445GT	DECAL,COSMETIC,GENIE GTH-636	2
22	1257446GT	DECAL,COSMETIC,GENIE GTH636 SM	1
23	1257759GT	CARD,LOAD RNG,GTH636 STD	1
24	1257760GT	CARD,LOAD RNG,GTH636 ROT	1
25	1257762GT	DECAL,TRANSPORT/LIFT DIAGRAM	1
26	1257914GT	DECAL,A-C,GTH636,WHITE	1
27	1258415GT	DECAL, HYDRAULIC FILTER ACCESS	1
28	1258526GT	CARD,LOAD RNG,GTH636 SUSP	1

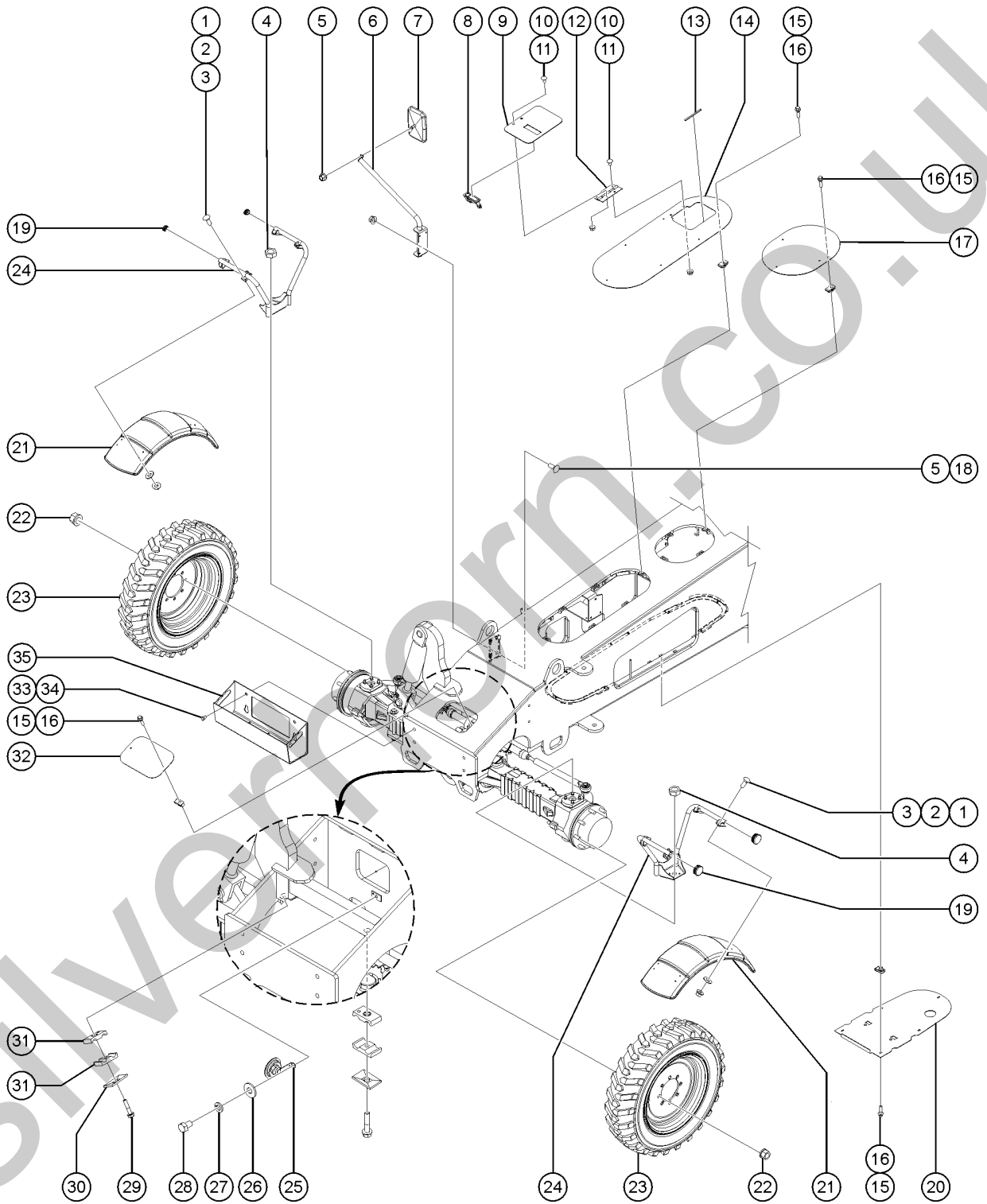
102.1 Decals with Symbols



102.1 Decals with Symbols

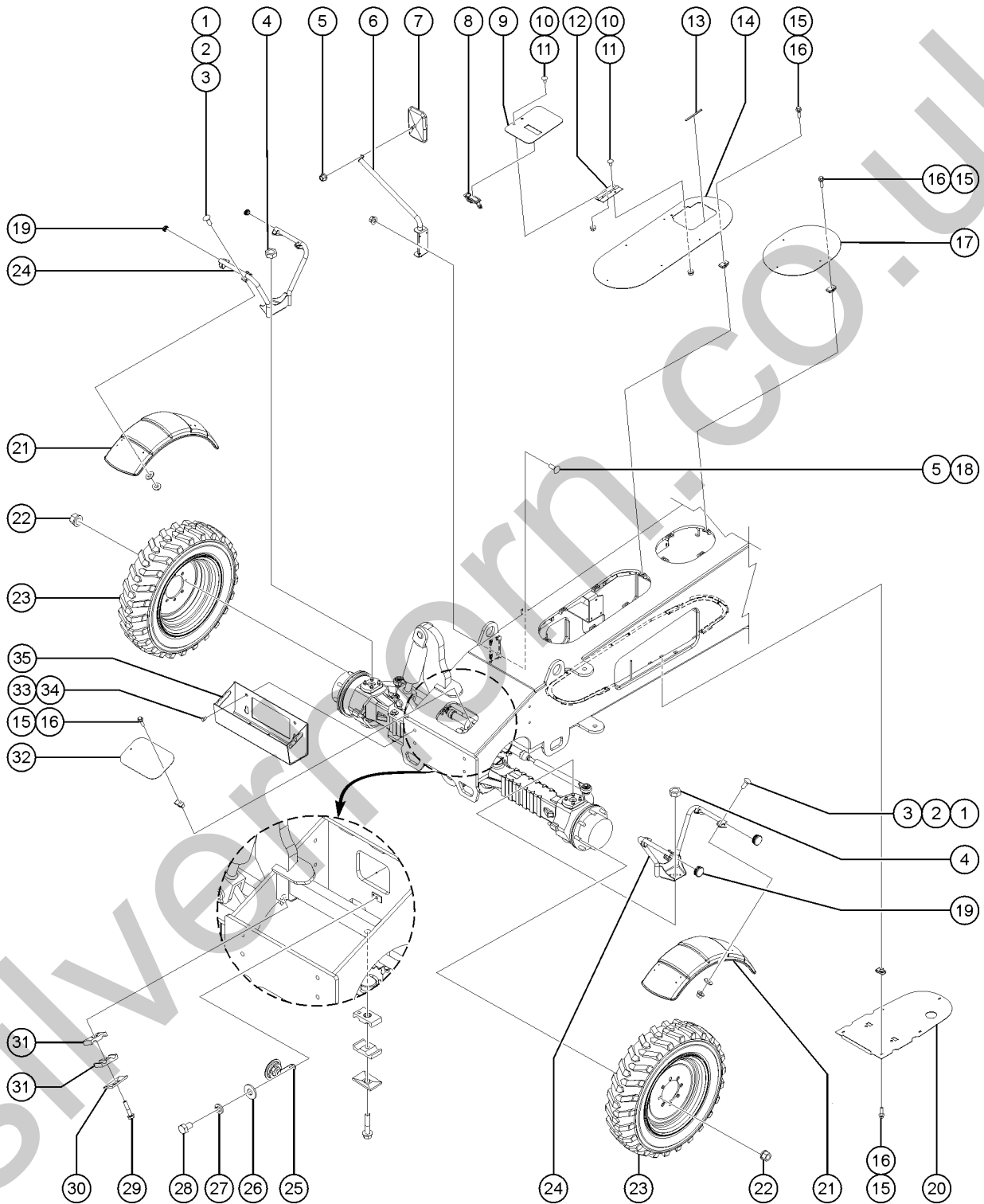
Item	Part No.	Description	Qty.
29	1258639GT	DECAL,COSMETIC,7.5" GENIE WHIT	1
30	1259710GT	DECAL,2 DECAL COMBO	1
31	1261895GT	CARD,LOAD RNG,GTH636 SWG	1
32	1262615GT	DECAL,WARN,SWG OVERTURN SYM	2
33	1263542GT	DECAL, COMPARTMENT ACCESS	1
34	1272242GT	DECAL,MACHINE REGISTRATION/OWNER TRANSFER	1
35	1276041GT	DECAL,FILL LEVEL,TANK,20 GAL	1
36	1284367GT	DECAL,UNIVERSAL CONTROLLER,2X5	1
37	1285069GT	DECAL – WARNING, CYLINDER CHOCK,SYMB	1
38	1286018GT	DECAL, BODY CRUSH, ROLLING TELE, SYM	3
39	1286020GT	DECAL, BURN HAZARD, SYM	1
40	1286022GT	DECAL, CRUSH HAZ, MOVING PT, SYM	2

201.1 Front Chassis View



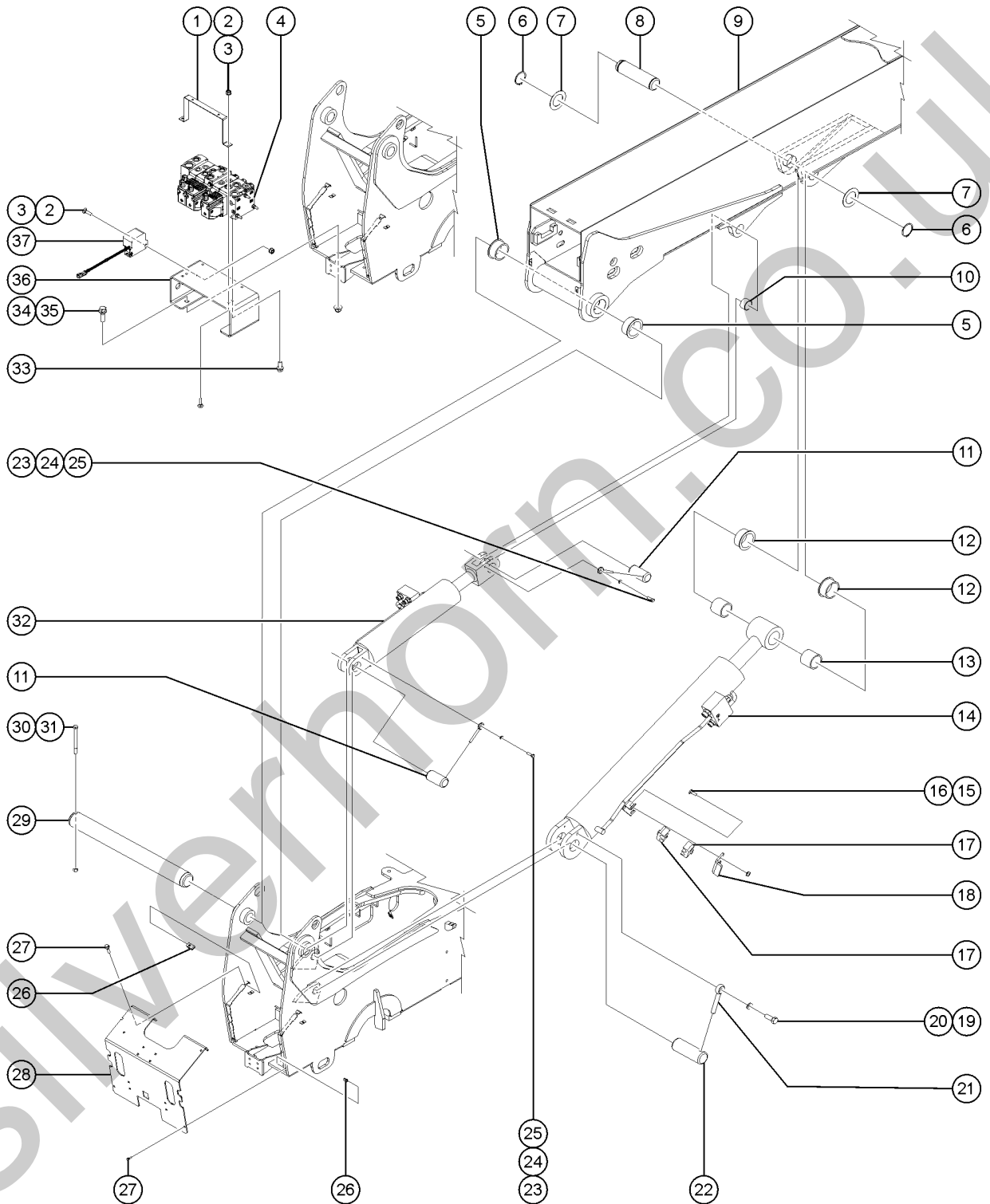
Item	Part No.	Description	Qty.
A	1257104GT	ASSY, CHASSIS COVER, LARGE (includes items 7-13)	
1	824125GT	BOLT, CARRIAGE, 3/8-16X1.5, ZAG to SN GTH06E-13139	32
1B	1255757GT	BOLT, CARRIAGE, 3/8-16X1.25, 5, ZAG from SN GTH06E-13140	32
2	1255758GT	WASHER, FLAT, 3/8, USS, ZAG to SN GTH06E-13139	32
3	824029GT	NUT, TL FLG, 3/8-16, G, ZAG to SN GTH06E-13139	32
3B	1274322GT	NUT, NYLOCK FLG, 3/8-16, F, ZAG from SN GTH06E-13140	32
4	1261562GT	MUDGUARD NUT, M12X1.25, DANA to SN GTH06E-13139	8
5	824029GT	NUT, TL FLG, 3/8-16, G, ZAG to SN GTH06E-13139	5
6	1255512GT	WELDMENT, MIRROR ARM to SN GTH06E-13139	1
7	229853GT	MIRROR, CONVEX, 8X12 to SN GTH06E-13139	1
8	123287GT	LATCH, COMPRESSION, WIDE GRIP to SN GTH06E-13139	1
9	1257103GT	PLATE, SECOND MANIF ACCESS DOOR to SN GTH06E-13139	1
10	1260963GT	BOLT, CARRIAGE, 1/4-20X.63, 5, ZAG to SN GTH06E-13139	4
11	1256679GT	NUT, SERRATED, 1/4-20, 8, ZAG to SN GTH06E-13139	4
12	123556GT	HINGE, ACCESS COVER to SN GTH06E-13139	1
13	69773GT	SEAL, RIBBED FOAM, 3/8X1/8 PSA** to SN GTH06E-13139	6
14	825811GT	PLATE, COVER, CHASSIS, LARGE to SN GTH06E-13139	1
15	824079GT	SCREW, HHF, 1/4-20X1, 8, ZAG to SN GTH06E-13139	17
16	56912GT	SPRING CLIP, 1/4-20, .025-.15X.54, ZAG to SN GTH06E-13139	17
17	825812GT	PLATE, COVER, CHASSIS, SMALL to SN GTH06E-13139	1
18	824125GT	BOLT, CARRIAGE, 3/8-16X1.5, ZAG to SN GTH06E-13139	4
19	123920GT	CAP, LDPE, 1.50"ODX10-14 GA WALL to SN GTH06E-13139	8
20	825995GT	FORMING, BOTTOM COVER, REAR to SN GTH06E-13139	1
21	7-119-01GT	FENDER, FULL WHEEL, UTILITY to SN GTH06E-13139	4
22	1261561GT	SPHERICAL LUGNUT, M20X1.5, DANA to SN GTH06E-13139	32
23	1255774GT	TIRE & WHEEL, 13X28, AIR, RIGHT RT, Air-filled, right	2
23	1255775GT	TIRE & WHEEL, 13X28, AIR, LEFT RT, Air-filled, left	2
23B	1255776GT	TIRE & WHEEL, 13X28, CRUMB, RIGHT RT, Foam-filled, right	2

201.1 Front Chassis View



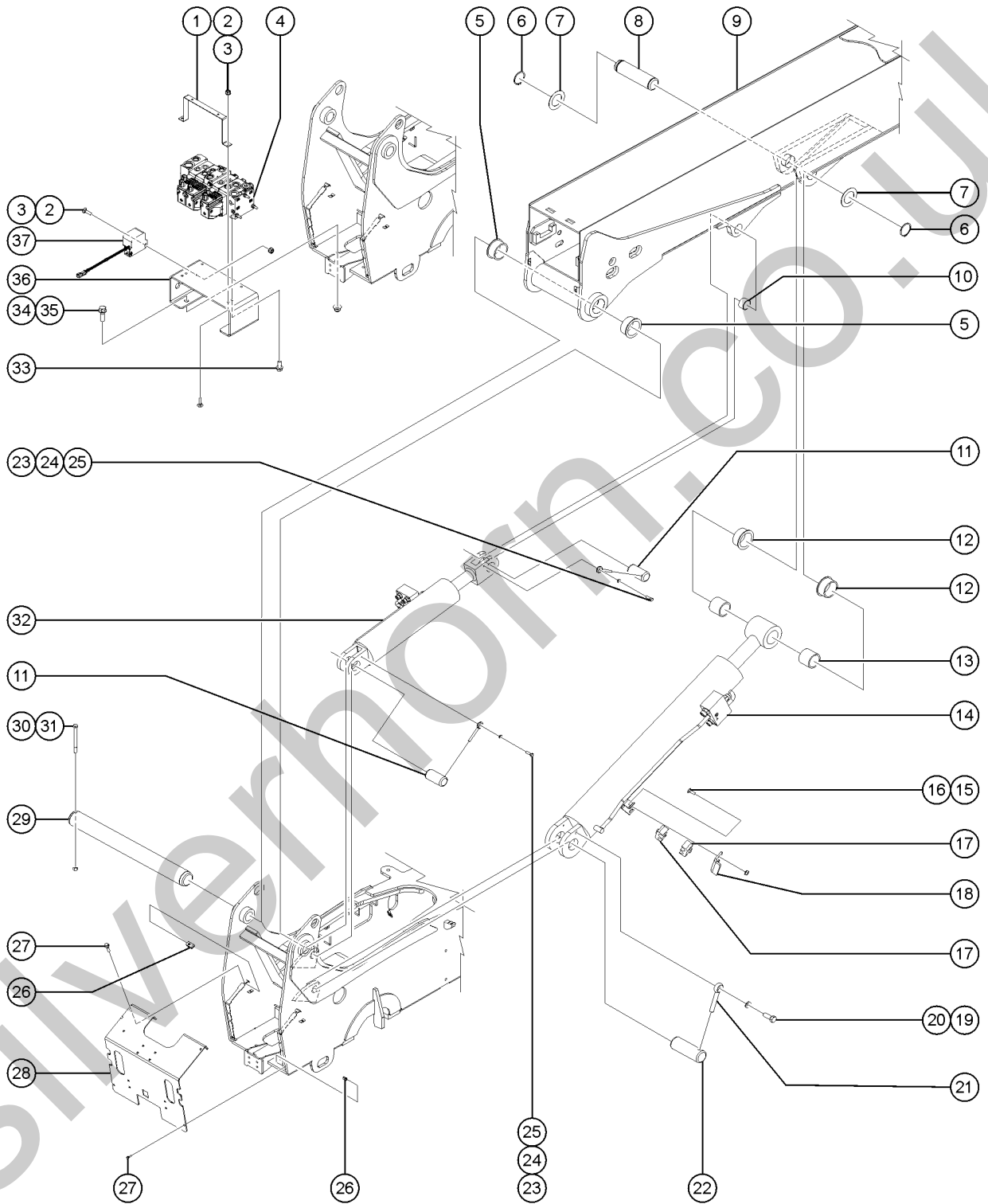
Item	Part No.	Description	Qty.
23B	1255777GT	TIRE & WHEEL,13X28,CRUMB,LEFT RT, Foam-filled, left	2
23C	823121GT	TIRE&WHEEL,SOLIDBOSS,13X24,RH RT, Solid rubber, right	2
23C	823122GT	TIRE&WHEEL,SOLIDBOSS,13X24,LH RT, Solid rubber, left	2
23D	1294522GT	TIRE & WHEEL, 13X28, AIR, ROCK LUG Rock Lug, Air-filled	4
23D-	1294434GT	TIRE,ROCK LUG,13.00X28,14PR for 1294522	
23D-	826784GT	WHEEL, 10X28, GTH636 for 1294522	
23E	1294523GT	TIRE & WHEEL, 13X28, CRUMB, ROCK LUG Rock Lug, Foam-filled	4
24	1261704GT	WELDMENT,FENDER FRAME,UNIV	4
24-	1255760GT	WASHER,FLAT,1/2,USS,ZAG	
25	81578GT	HORN,12VDC,SPADE TERMINALS***	1
26	825358GT	WASHER,FLAT,5/16,USS,ZAG	1
27	1255764GT	WASHER,LOCK,5/16,ZAG	1
28	1255887GT	SCREW,HHC,5/16-18X.5,8,ZAG	1
29	1255763GT	SCREW,HHF,5/16-18X1.5,8,ZAG	2
30	123176GT	PLATE, TOP	2
31	123192GT	CLAMP HALVES,TWIN,5/8" TUBE	4
32	825813GT	PLATE,COVER,CHASSIS,NOSE	1
33	1256126GT	SCREW,HHF,5/8-11X2,8,ZAG	4
34	6024GT	NUT,NYLOCK,5/8-11	4
35	1255690GT	WELDMENT,TOOL TRAY	1

202.1 Rear Chassis View



Item	Part No.	Description	Qty.
A	1255578GT	KIT,PINTLE HOOK HITCH,GTH (includes hitch, fasteners and instructions)	
1	1284345GT	FORMING,HARNESS SUPPORT	1
2	824027GT	NUT, TL FLG, 1/4-20, G, ZAG to SN GTH06E-13139	4
2B	1277924GT	NUT,NYLOCK FLG,1/4-20,F,ZAG from SN GTH06E-13140	4
3	1256127GT	BOLT,CARRIAGE,1/4-20X1",GR 5,ZAG	4
4		REF. PRIMARY FUNCTION MANIFOLD (Refer to 806.1)	
5	T108823GT	BEARING,FL,3.0ID X 3.50ODX1.5L	2
6	825760GT	SNAP RING,EXTERNAL,2.50,ZAG	2
7	1256111GT	WASHER,SHIM,2.5X4X.062,ZAG	2
8	826360GT	PIN,2.5DIA X 9.25 LG,2 RINGS	1
9		REF. LARGE BOOM ASSEMBLY (Refer to 603.1)	
10	826136GT	BEARING,2.00IDX2.25ODX1.25L	2
11	117125GT	PIN,2.00DIA X 4.00LG,1 HOLE	2
12	101566GT	BEARING,FL,2.50IDX2.75ODX1.36L	2
13	825767GT	BEARING,2.50IDX3.00ODX2.50LG	3
14	823931GT	CYLINDER, LIFT	1
14-	1257812GT	VALVE,MBEA-XLN@4000 PSI FIXED	
14-	1257818GT	SEAL KIT, CYLINDER 823931	
15	824124GT	BOLT, CARRIAGE, 1/4-20 X .75, 5, ZAG	1
16	824027GT	NUT, TL FLG, 1/4-20, G, ZAG	1
17	T107500GT	HOSE CLAMP, LIFT CYLINDER	2
18	1254984GT	FORMING,HOSE CLAMP,LIFT CYL	1
19	1256845GT	SCREW,HHC,3/4-10X2,8,ZAG	1
20	1256113GT	WASHER,LOCK,3/4,ZAG	1
21	1256308GT	ROD END,.75 X 5,ZAG	1
22	825768GT	PIN,2.50 OD X 7.00 LG,1 HOLE	1
23	824068GT	SCREW,HHC,3/8-16X1,8,ZAG	2
24	824110GT	WASHER, LOCK, 3/8, ZAG	2

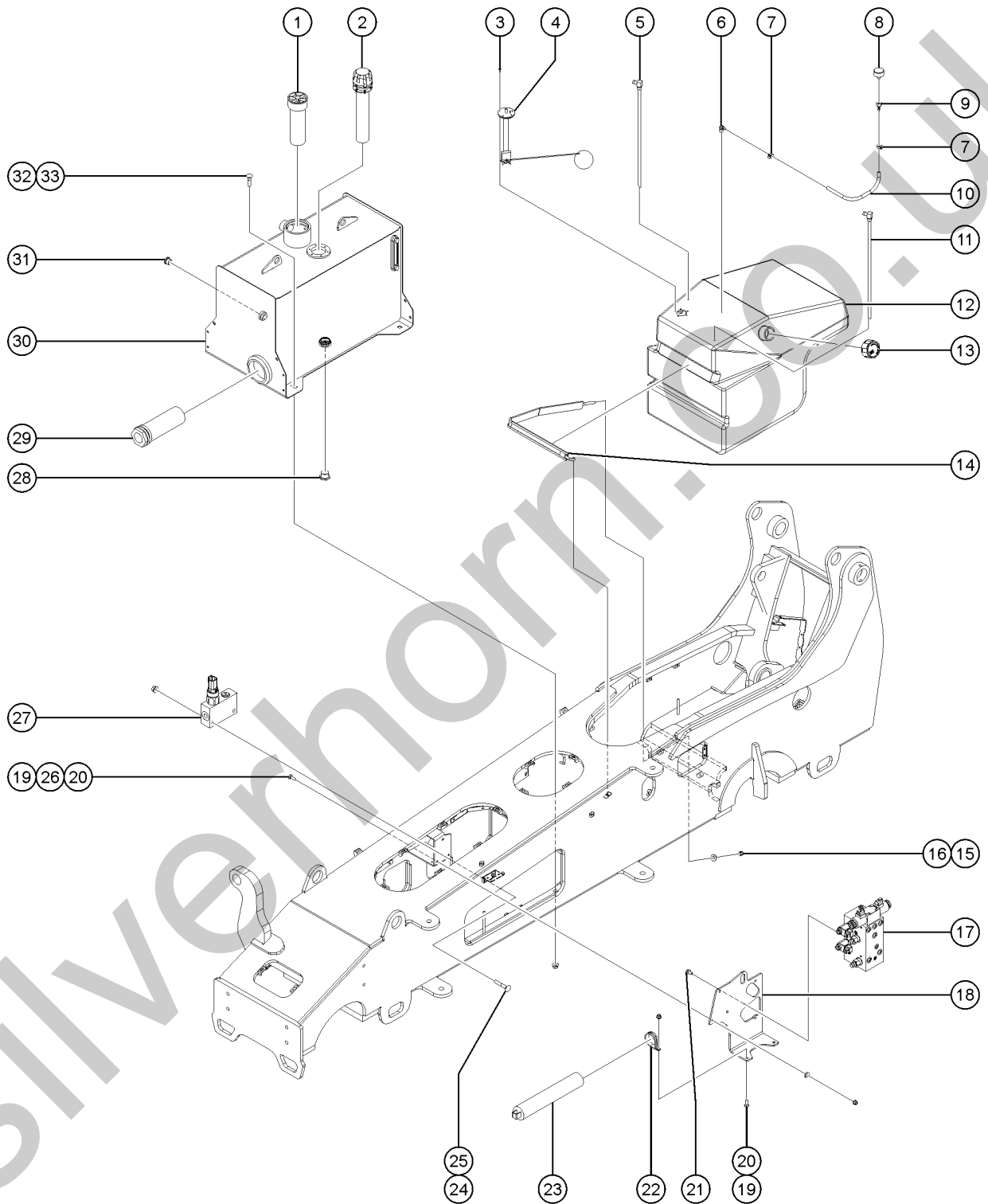
202.1 Rear Chassis View



202.1 Rear Chassis View

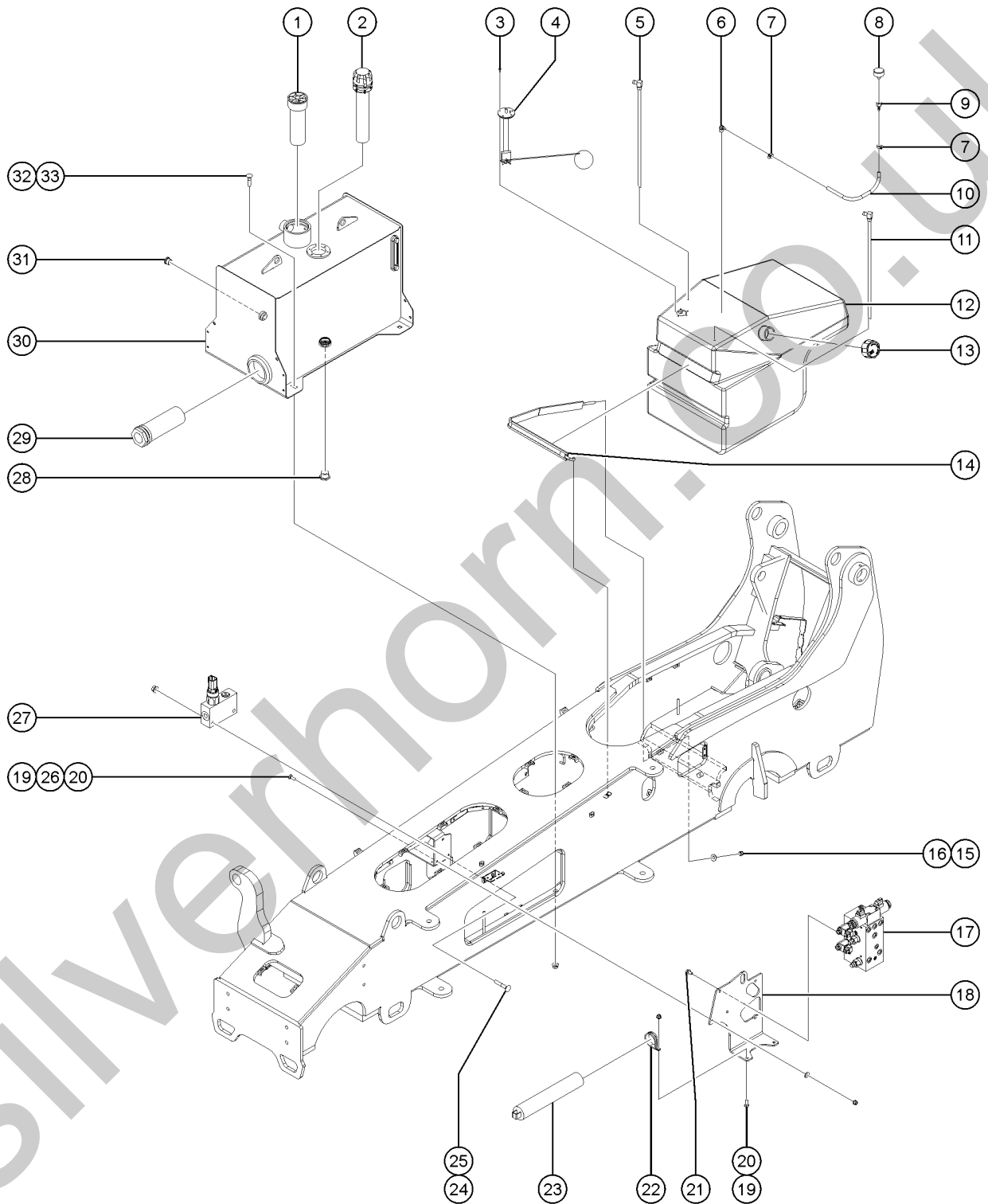
Item	Part No.	Description	Qty.
25	825019GT	ROD END, .375X3.69, ZAG	2
26	56912GT	SPRING CLIP, 1/4-20, .025-.15X.54, ZAG	4
27	824079GT	SCREW, HHF, 1/4-20X1.8, ZAG	4
28	1284235GT	FORMING, REAR CHASSIS COVER	1
29	825769GT	PIN, 3.00OD X 29.55 LG, 1 HOLE	1
30	1258511GT	SCREW, HHC, 1/2-13X5.5, 8, ZAG	1
31	1256106GT	NUT, TL, 1/2-13, C, ZAG	1
32	823933GT	CYLINDER, MASTER	1
32-	1257819GT	SEAL KIT, CYL 823932/823933	
33	824085GT	SCREW, HHF, 5/16-18 X .75, 8, ZAG	3
34	1256126GT	SCREW, HHF, 5/8-11X2, 8, ZAG	2
35	1283007GT	NUT, NYLOCK FLG, 5/8-11, F, ZAG	2
36	1284343GT	FORMING, PVG MOUNT 636	1
37	219457GT	HARNESS, BACKUP ALARM	1

203.1 Center Chassis View



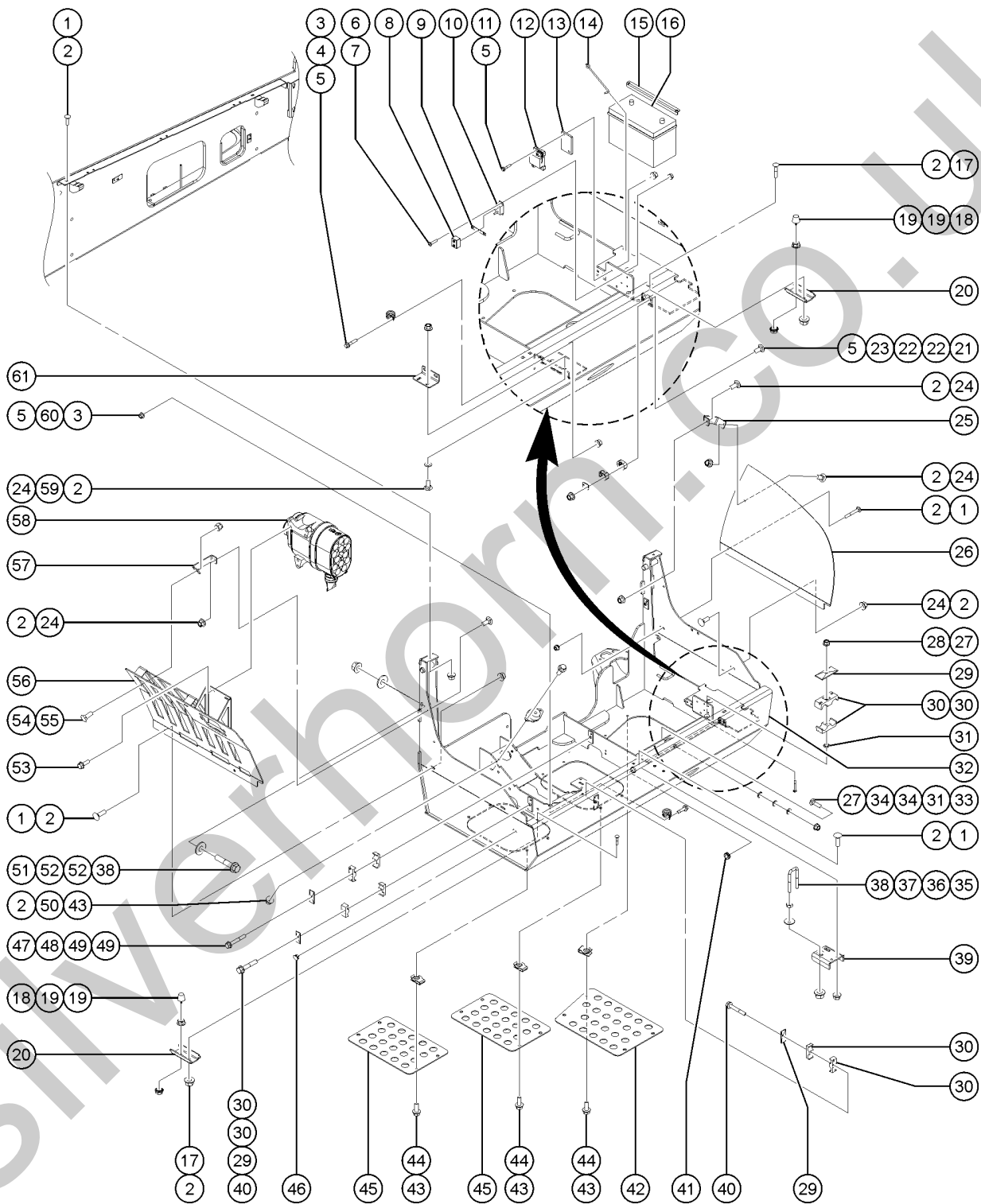
Item	Part No.	Description	Qty.
A	1284214GT	ASSEMBLY,TANK,HYD,20 GAL (includes items 1, 2 and 28-31)	1
A-	1254258GT	GAUGE,FLUID LEVEL AND TEMP (included with 1284214)	1
B	825242GT	ASSY,FUEL TANK,GTH636 (includes items 3-16)	1
C	1284261GT	ASSEMBLY,SECONDARY MNFLD BRKT (includes items 17-23 and 26)	1
D	1251587GT	ASSEMBLY,BRAKE MANIFOLD (includes items 24-25 and 27)	1
1	117379GT	ELEMENT,HYDRAULIC FILTER	1
2	123148GT	BREATHER,FILLER,3 PSI	1
3	1251757GT	SCREW,PHPM,10-32X.50,ZAG	5
4	825244GT	ASSEMBLY, FUEL SENDER	1
5	1253757GT	TUBE ASSY,FUEL TANK 19.13"	1
6	54204GT	ELBOW,90DEG.1/4MPT-1/4 BARB	1
7	21465GT	CLAMP,HOSE, .25" TO .63" X .3125"	2
8	78546GT	BREATHER CAP, HYD. TANK, 1/4 NPT	1
9	227162GT	CONNECTOR,1/4" FNPT X 1/4" BAR	1
10	30490GT	HOSE,1/4 FUEL LINE,SAE 30R7	13
11	825243GT	DROP TUBE ASSY,3/8 FUEL	1
12	824660GT	TANK, FUEL, PLASTIC 27 GAL	1
12B	46131GT	CLAMP,HOSE,.63"-1.0"X .5" for 824660	2
13	233651GT	FUEL CAP, DIESEL, VENTLESS	1
14	1251598GT	ASM,FUEL TANK STRAP,GTH636	1
15	4828GT	NUT,NYLOCK,3/8-16	1
16	1255758GT	WASHER,FLAT,3/8,USS,ZAG	1
17		Ref. Secondary manifold (Refer to 808.1)	1
18	1284260GT	FORMING,MOUNT,SECONDARY MANIFOLD	1
19	1255757GT	BOLT,CARRIAGE,3/8-16X1.25,5,ZAG	5
20	824029GT	NUT,TL FLG,3/8-16,G,ZAG	5
21	824089GT	SCREW, HHF, 3/8-16 X .75, 8, ZAG	3
22	87188GT	CLAMP,2.38,#38 X 3/8 RUB CUSH	2

203.1 Center Chassis View



Item	Part No.	Description	Qty.
23	1295628GT	KIT, ACCUMULATOR, PVG LIFT CIRCUIT, GTH-636 from SN 11750 to 12679	1
23B	117666GT	ACCUMULATOR,29CC,400PSI from SN 12680	1
24	1255756GT	BOLT,CARRIAGE,1/4-20X1.5,5,ZAG	2
25	824027GT	NUT, TL FLG, 1/4-20, G, ZAG	2
26	87684GT	PUSHRETAINER FOR 3/8"THRDR SCREW	3
27		Ref. brake manifold (Refer to 807.1)	1
28	123152GT	1"O-RING PLUG	1
29	75257GT	STRAINER ASSY,#24 O-RING	1
30	1284212GT	WELDMENT,TANK,HYD,20 GAL	1
31	28455GT	PLUG,HEX SOCKET,090109B-6	1
32	1255759GT	BOLT,CARRIAGE,1/2-13X2,5,ZAG	3
33	1251997GT	NUT,TL,FLG,1/2-13,G,ZAG	3

204.1 Engine Tray Assembly

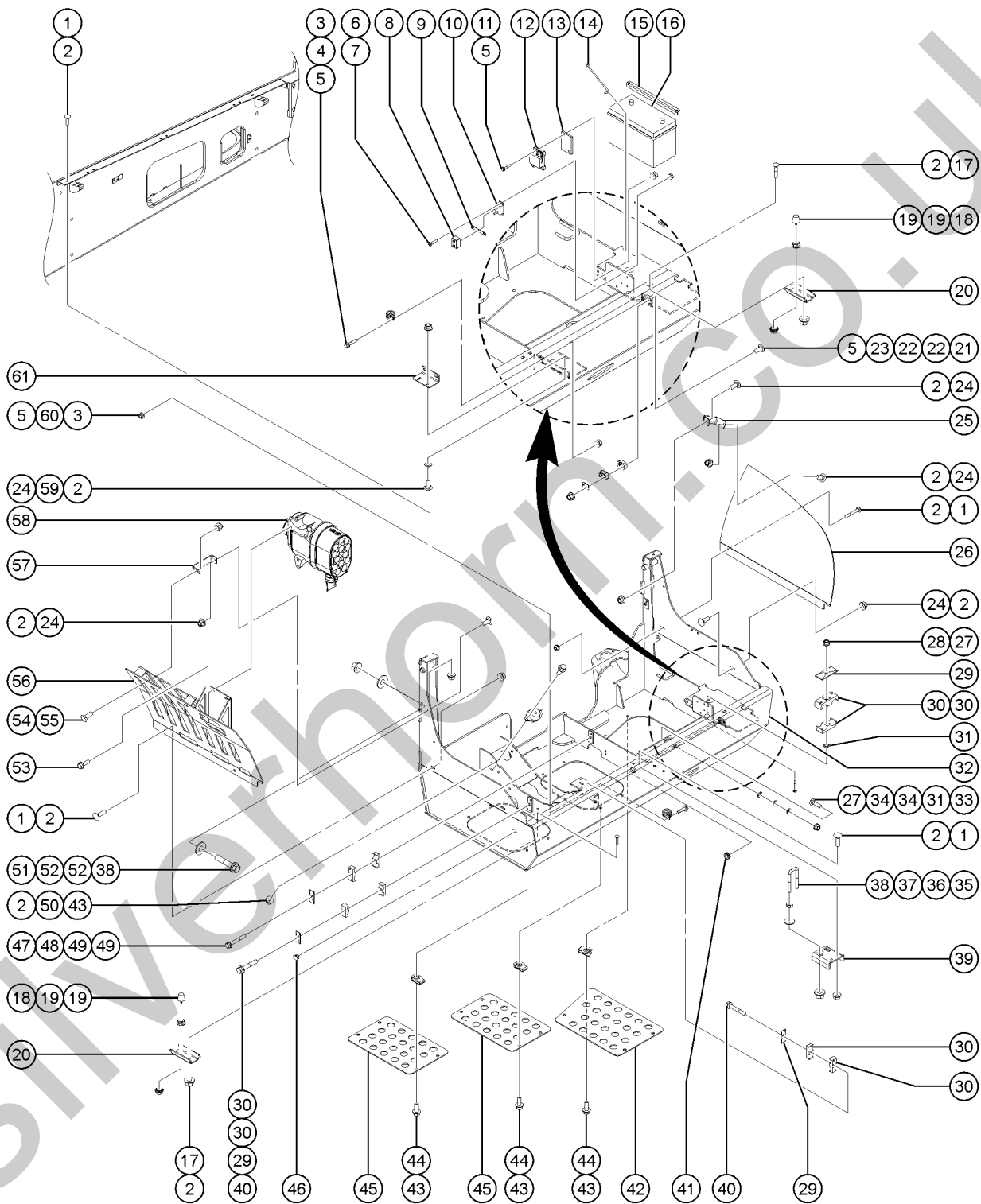


204.1 Engine Tray Assembly

Item	Part No.	Description	Qty.
1	1255757GT	BOLT,CARRIAGE,3/8-16X1.25,5,ZAG	7
2	824029GT	NUT,TL FLG,3/8-16,G,ZAG	23
3	824079GT	SCREW,HHF,1/4-20X1,8,ZAG	2
4	16073GT	CLAMP,0.63,#10 X 1/4,RUB CUSH	1
5	824027GT	NUT, TL FLG, 1/4-20, G, ZAG	6
6	1253490GT	SCREW,PHPM,8-32 X .75,ZAG	2
7	1255803GT	NUT,TL FLG,8-32,F,ZAG	2
8	123677GT	CIRCUIT BREAKER BOOT	1
9	824612GT	PLATE, BUSS BAR	1
10	229994GT	CIRCUIT BREAKER, 50 AMP	1
11	824080GT	SCREW,HHF,1/4-20X1.25,8,ZAG	2
12	1307893GT	CIRCUIT BREAKER,60A/42VDC	1
13	824856GT	PLATE, SPACER	1
14	123150GT	HOOK, BATTERY HOLD DOWN Use until exhausted	2
14B	1320740GT	HOOK, BATT HOLD DOWN, 2 PACK Replaces 123150GT	2
15	1254056GT	FORMING,BATTERY HOLDDOWN	1
16	1303581GT	BATTERY, 12V, 950CCA, FLA	1
16-	1251991GT	CABLE, BATTERY RED 2/0	
16-	231257GT	CABLE, BATTERY BLACK 2/0	
16-	234969GT	BATTERY,AGM,GP31,1150CCA optional battery	
16B	1292940GT	SWITCH, ROTARY, SPST, 200A/12V models with battery disconnect switch (refer to 1002.1 for cables)	1
16B	1292941GT	FORMING, BATTERY DISCONNECT MOUNT models with battery disconnect switch	1
16B	1255757GT	BOLT,CARRIAGE,3/8-16X1.25,5,ZAG for 1292941	2
16B	1274322GT	NUT,NYLOCK FLG,3/8-16,F,ZAG for 1292941	2
17	1258623GT	BOLT,CARRIAGE,3/8-16X1.5,5,ZAG	2
18	30973GT	BUMPER,RUBBER-1 X 1.25	2
19	1255805GT	NUT,SERRATED,5/16-18,8,ZAG	4
20	1255001GT	FORMING,BUMPER STRIKER,TRAY	2



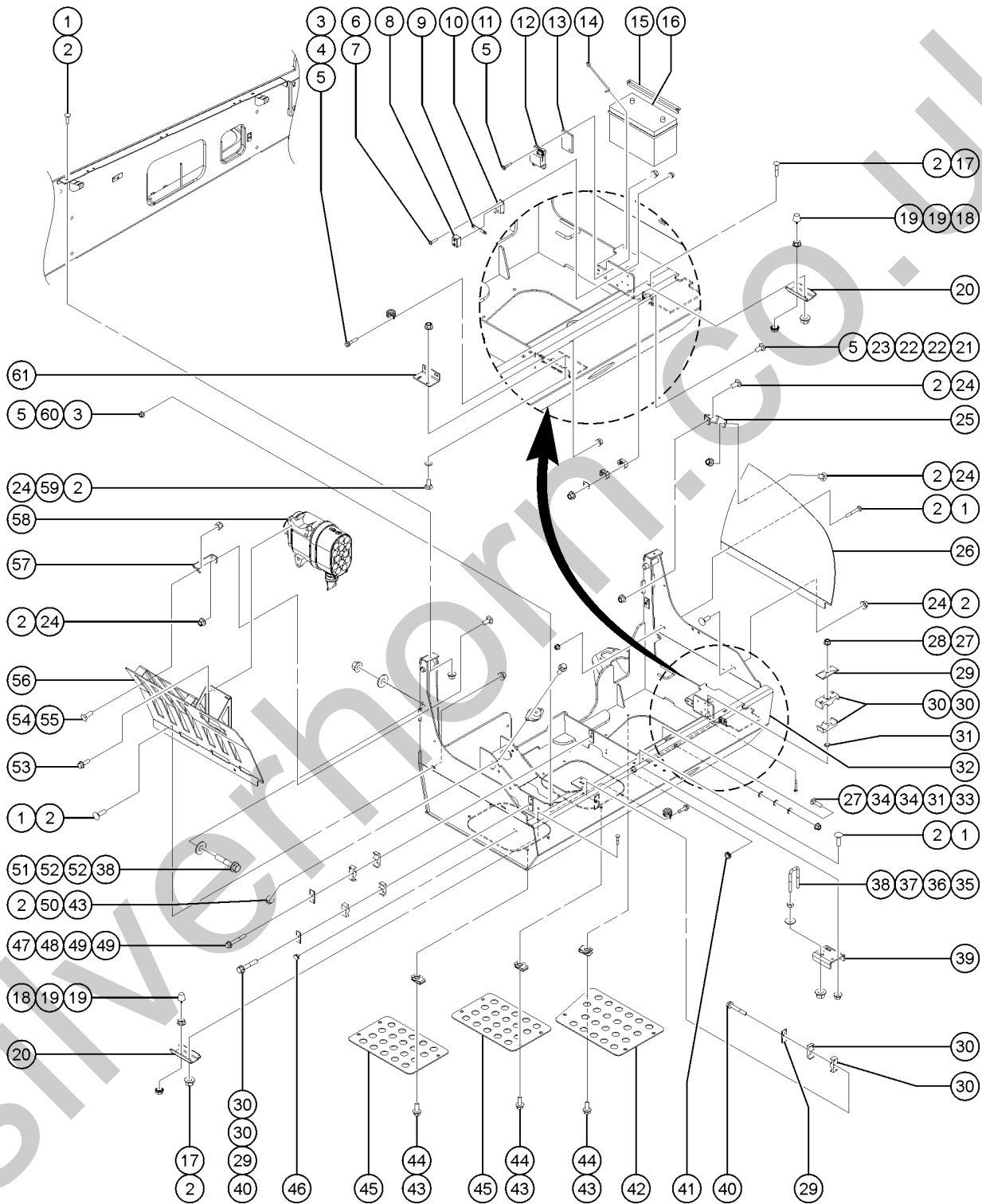
204.1 Engine Tray Assembly



204.1 Engine Tray Assembly

Item	Part No.	Description	Qty.
21	1255797GT	BOLT,CARRIAGE,1/4-20X2,5,ZAG	2
22	1254460GT	CLAMP HALVES,SINGLE,1/4" PIPE	2
23	117312GT	CLAMP CVR PLATE,SINGLE,GRP 2	1
24	824125GT	BOLT,CARRIAGE,3/8-16X1,5,ZAG	8
25	826551GT	FORMING,MOUNT,FRONT COVER GUAR	1
26	823253GT	FORMING,END COVER,FRONT,GTH636	1
26-	1263623-4000GT	TRIM, EDGE, 3/16X1.0 END BULB	
27	824028GT	NUT,TL FLG,5/16-18,G,ZAG	2
28	1255799GT	BOLT,CARRIAGE,5/16-18X2.75,5,Z	1
29	229861GT	PLATE, TOP (CLAMP)	4
30	229860GT	CLAMP PAIR,.875 OD	8
31	825005GT	PUSH RETAINER, 5/16" SCREW	2
32	823000GT	WELDMENT,ENGINE TRAY,GTH-636	1
33	1255798GT	BOLT,CARRIAGE,5/16-18X1.25,5,Z	1
34	5397GT	WASHER,FLAT,USS,5/16",Y	2
35	1254805GT	BOLT,U-BOLT,LATCH STRIKER,TRAY	1
36	1255804GT	NUT,JAM,1/2-13,A,ZAG	2
37	1255760GT	WASHER,FLAT,1/2,USS,ZAG	2
38	1251997GT	NUT,TL,FLG,1/2-13,G,ZAG	6
39	1254806GT	FORMING,LATCH STRIKER MNT,TRAY	1
40	1255801GT	SCREW,HHF,5/16-18X2.25,8,ZAG	3
41	60584GT	GROMMET,RUBBER .75 X .19 X 1**	1
42	823843GT	FORMING,COVER,ENG TRAY,FRONT	1
43	824090GT	SCREW,HHF,3/8-16X1,8,ZAG	18
44	29868GT	SPRING CLIP,3/8-16,.05-.20X.73,ZAG	12
45	823842GT	PLATE,COVER,ENG TRAY	2
46	219471GT	CAP PLUG,PLASTIC,1.0" DIA,<.375"THK	1
47	1255800GT	SCREW,HHF,5/16-18X1.75,8,ZAG	3

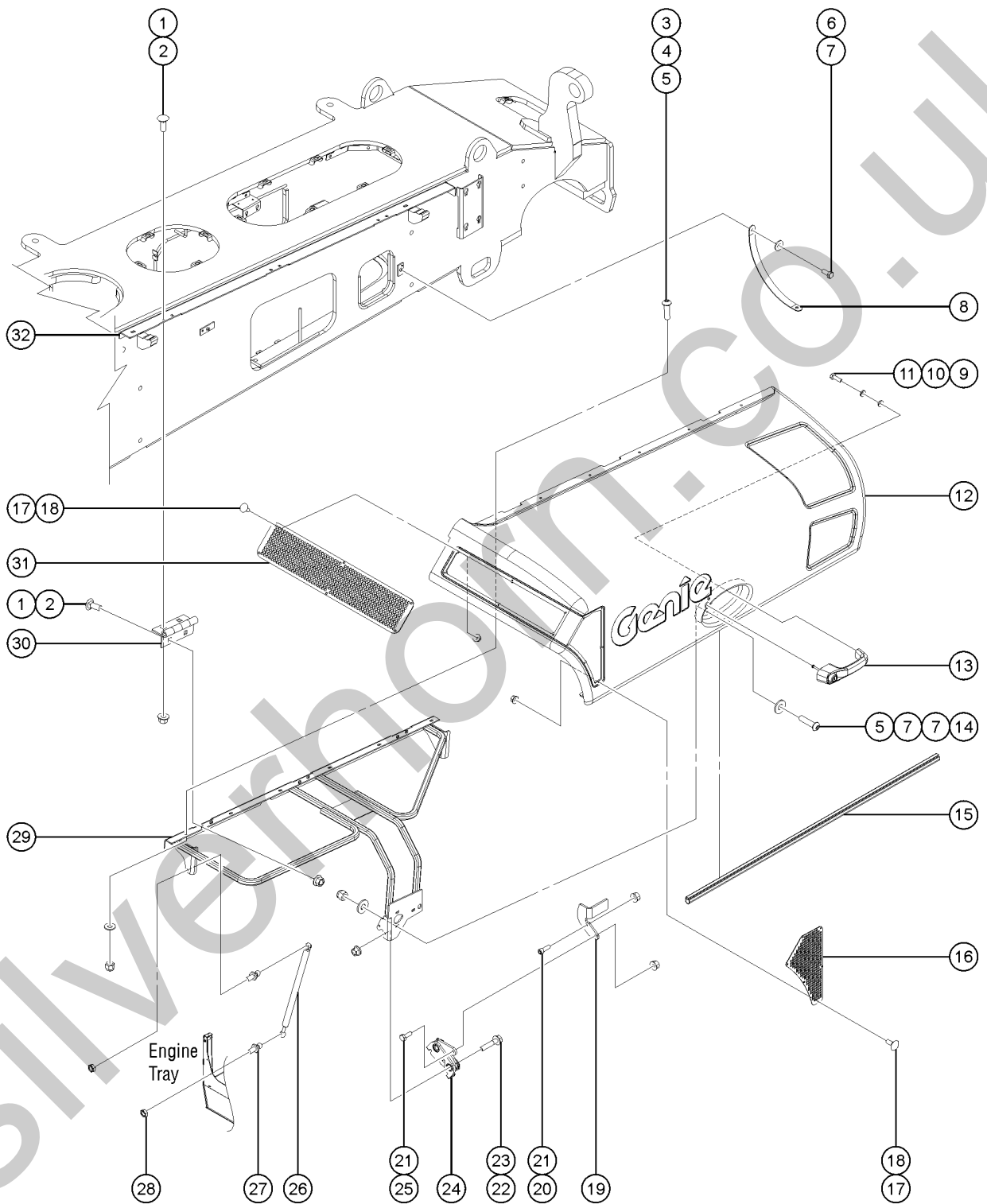
204.1 Engine Tray Assembly



204.1 Engine Tray Assembly

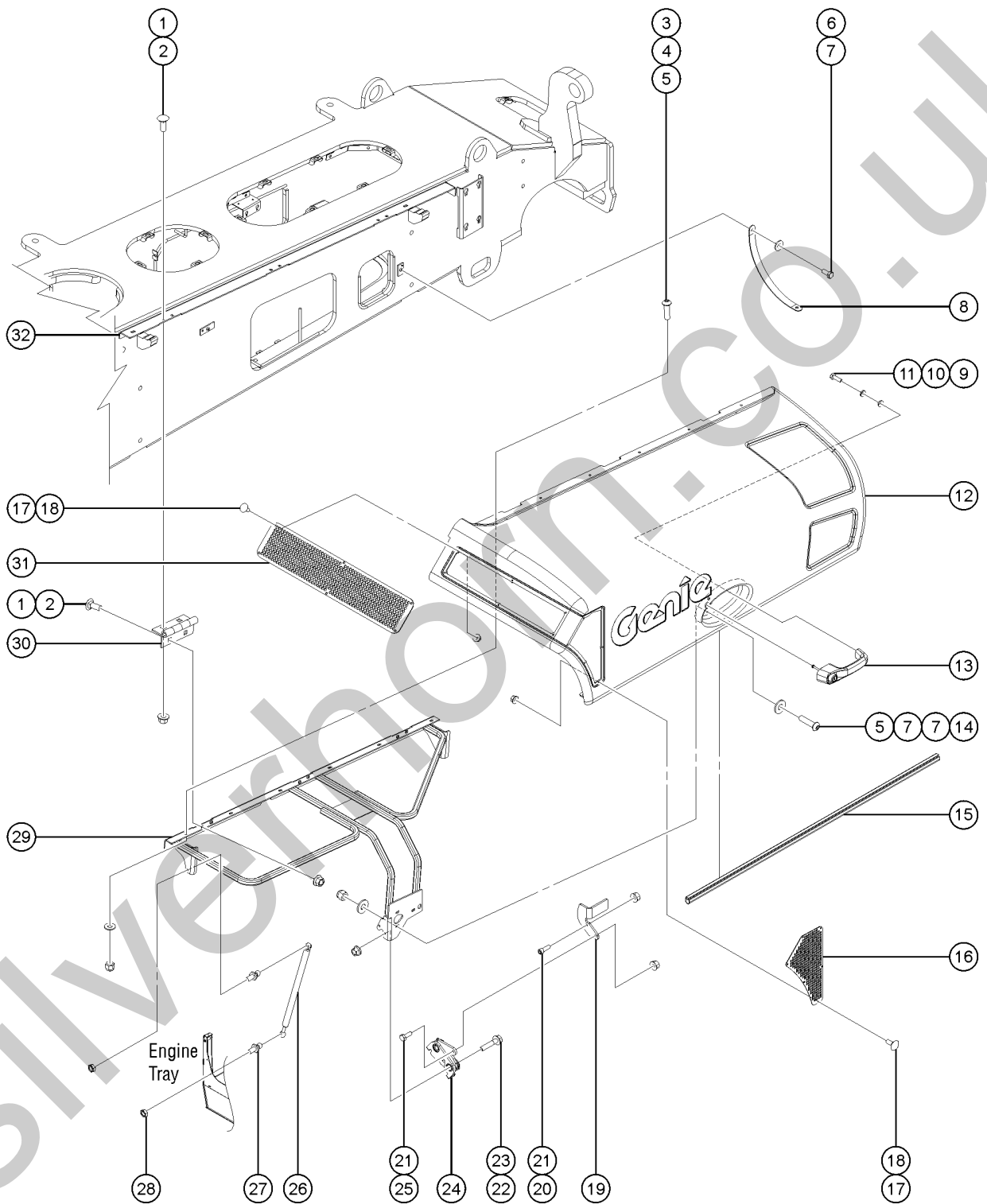
Item	Part No.	Description	Qty.
48	123177GT	CLAMP CVR PLATE,TWIN,GRP 3	3
49	117776GT	CLAMP HALF SET,TWIN,3/4" TUBE	6
50	822621GT	ISOLATOR,ENGINE,570LB MAX	4
51	1255802GT	SCREW,HHF,1/2-13X2.5,8,ZAG	4
52	141745GT	WASHER,HARDEND 1.375X.531X.177	8
53	824133GT	SCREW,HHF,M8-1.25X25,DIN6921,10.9,ZAB	3
54	1255629GT	SCREW,BHC,3/8-16X1.25,F835,ZAG	1
55	4828GT	NUT,NYLOCK,3/8-16	1
56	826522GT	WELDMENT,COVER,REAR GUARD	1
57	826550GT	FORMING,MOUNT,REAR COVER GUARD	1
58	824991GT	ASSY, AIR FILTER, COMPLETE M+H IQORON V7	1
59	87684GT	PUSHRETAINER FOR 3/8" THRD SCREW	2
60	13268GT	CLAMP,0.75,#12 X 1/4,RUB CUSH	1
61	1256370GT	FORMING,TAILPIPE CLAMP MOUNT	1

205.1 Engine Cover Assembly



Item	Part No.	Description	Qty.
1	824125GT	BOLT,CARRIAGE,3/8-16X1.5,ZAG	12
2	824029GT	NUT,TL FLG,3/8-16,G,ZAG	12
3	1255629GT	SCREW,BHC,3/8-16X1.25,F835,ZAG	6
4	1255758GT	WASHER,FLAT,3/8,USS,ZAG	6
5	4828GT	NUT,NYLOCK,3/8-16	8
6	1255887GT	SCREW,HHC,5/16-18X.5,8,ZAG	2
7	825358GT	WASHER,FLAT,5/16,USS,ZAG	6
8	7-319-17GT	GROUND STRAP,12 IN.	1
9	1256450GT	SCREW,HHC,M6-1.0X20,DIN933,10.9,ZAB	2
10	1256457GT	WASHER,LOCK, M6,ZAB	2
11	825355GT	WASHER,FLAT,M6,DIN125,ZAB	2
12	823128GT	COVER,ENGINE,GTH-636	1
13	1260061GT	HANDLE,LHANDLE,LATCH,GOLDENROD	1
14	1255630GT	SCREW,BHC,3/8-16X1.5,F835,ZAG	2
15	60875GT	TRIM MOLDING	63
16	823142GT	SCREEN,RAD,SIDE,COVER	1
17	822352GT	BOLT, CARRIAGE,M6=1.0X16,ZAB	12
18	231513GT	NUT,TL FLG,M6-1.0,DIN6927,10,Z	12
19	1278893GT	FORMING,EXTENSION,LATCH TRIGGER	1
20	1256476GT	SCREW,SHC,1/4-20X.75,A574,ZAG	1
21	824027GT	NUT, TL FLG, 1/4-20, G, ZAG	2
22	237820GT	SCREW,HHF,M8X40,DIN6921,8.8,YZ	2
23	237832GT	NUT,TL FLG,M8-1.25,DIN6927,10,ZAB	2
24	215254GT	LATCH,ROTARY,ENGINE COVER	1
25	824059GT	SCREW,HHC,1/4-20X.75,8,ZAG	1
26	1255652GT	STRUT,GAS,120 LB FORCE,23" EXT	2
27	161446GT	BALL STUD,13MM BALL	4
28	1255805GT	NUT,SERRATED,5/16-18,8,ZAG	4

205.1 Engine Cover Assembly

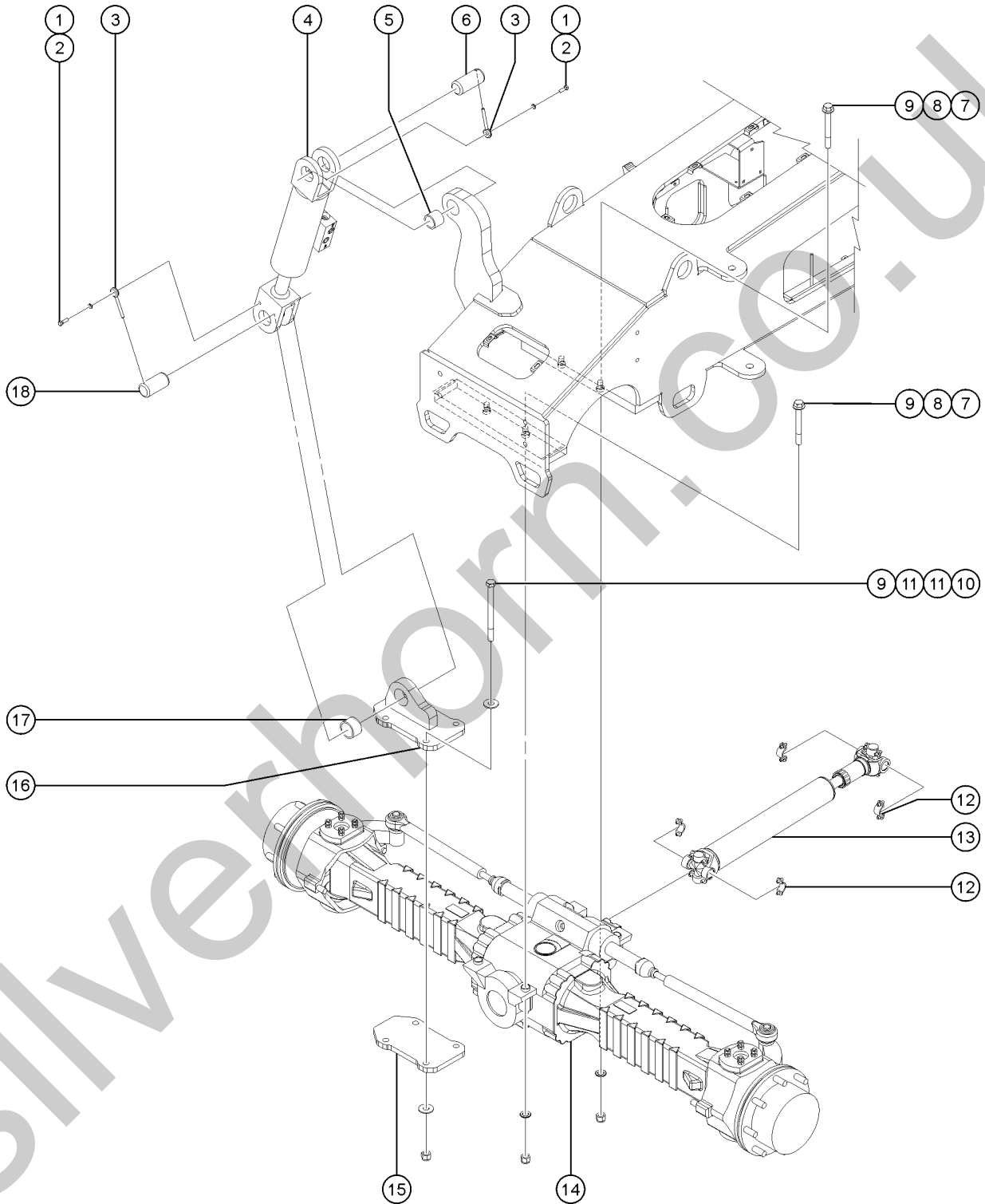


205.1 Engine Cover Assembly

Item	Part No.	Description	Qty.
29	1279008GT	WELDMENT,COVER HINGE/STRUT MOUNT,GTH636	1
30	55517GT	HINGE, GSRT90 BOX	3
31	823141GT	SCREEN,RAD,TOP,COVER	1
32	822901GT	FORMING,HINGE MOUNT,ENG TRAY	1

Silverhorn.co.uk

206.1 Front Axle View

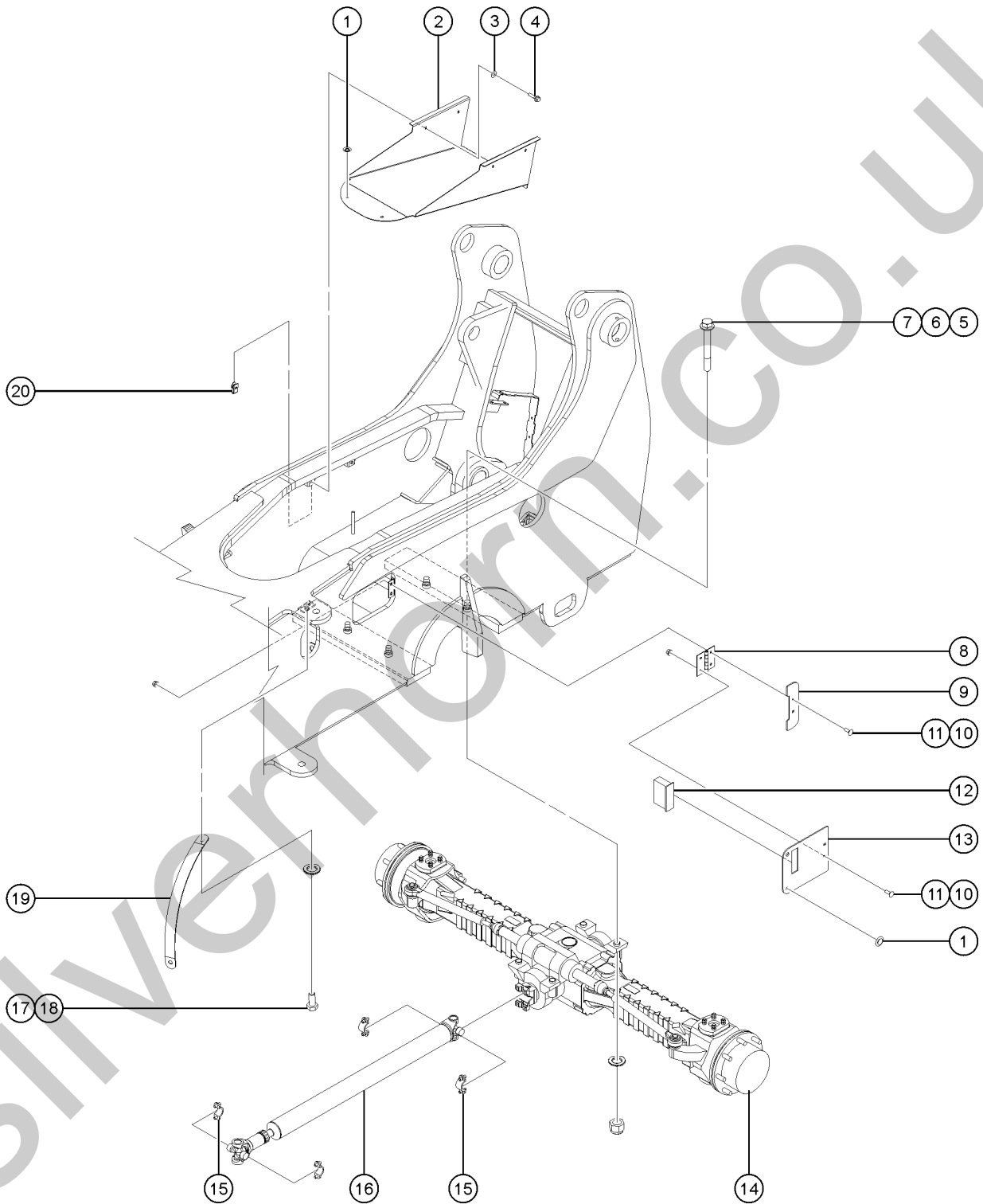


Item	Part No.	Description	Qty.
1	824068GT	SCREW,HHC,3/8-16X1,8,ZAG	2
2	824110GT	WASHER, LOCK, 3/8, ZAG	2
3	825019GT	ROD END, .375X3.69, ZAG	2
4	823934GT	CYLINDER, SWAY	1
4-	1257821GT	SEAL KIT, CYLINDER	1
4-	233815GT	VALVE,CB,4.5:1,3100 PSI	2
5	T108822GT	BEARING,2.0 ID X 2.50OD X 2.0L	1
6	824989GT	PIN,2.00DIA X 4.50LG,1HOLE	1
7	1256072GT	SCREW,HHF,3/4-10X6,8,ZAG	4
8	33278GT	WASHER,FLAT,.75 HARDENED	4
9	77051GT	NUT,NYLOCK,3/4-10,GRD.8	8
10	824073GT	SCREW,HHC,3/4-10X9,8,ZAG	4
11	1256863GT	WASHER,FLAT,.75,F436,HRD,ZAG (for use with bent tie rod)	8
12	123577GT	STRAP KIT,DRIVESHAFT,1480	2
13	1256349GT	DRIVESHAFT,1480-1480,FRONT,GTH	1
14	1253496GT	AXLE,DANA,212,FRONT,636	1
14	1294830GT	AXLE,DANA,212,FRONT,REFURB	
15	1267471GT	PLATE,MOUNT,CYL TO AXLE,PNT (for use with bent tie rods)	1
16	1269151GT	WELDMNT,SWAY CYL MNT,BTR,636 (for use with bent tie rods, ref. 212.1)	1
17	123188GT	BEARING,2.00IDX2.50ODX1.50L	1
18	117125GT	PIN,2.00DIA X 4.00LG,1 HOLE	1

Silver

silverspin.co.uk

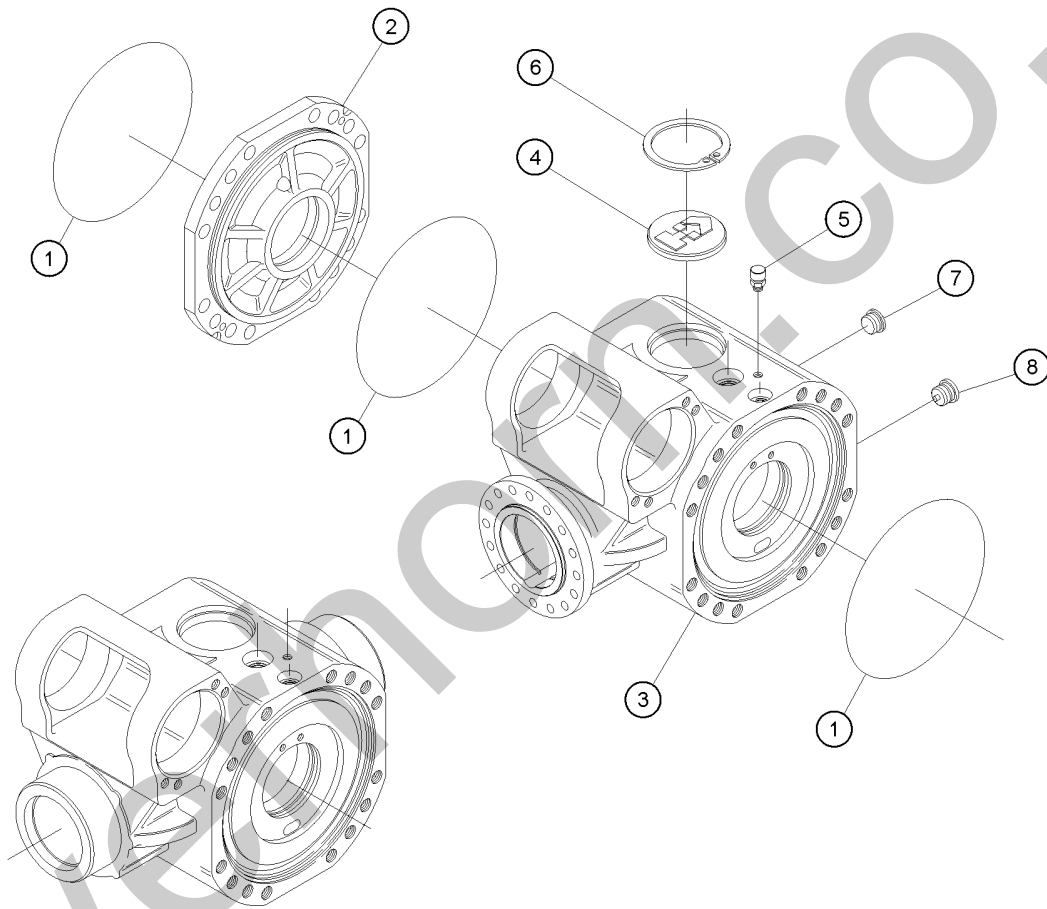
207.1 Rear Axle View



Item	Part No.	Description	Qty.
1	47478GT	BUMPER, RUBBER, 1"OD X .461H	4
2	822677GT	FORMING,COVER,FUEL TANK	1
3	824113GT	WASHER,FLAT,USS,1/4,ZAG	4
4	824079GT	SCREW,HHF,1/4-20X1,8,ZAG	4
5	1256072GT	SCREW,HHF,3/4-10X6,8,ZAG	4
6	33278GT	WASHER,FLAT,.75 HARDENED	4
7	77051GT	NUT,NYLOCK,3/4-10,GRD.8	4
8	42077GT	HINGE, 2 X 1.50	1
9	825949GT	PLATE,FUEL DOOR MOUNT	1
10	824124GT	BOLT, CARRIAGE, 1/4-20 X .75, 5, ZAG	4
11	824027GT	NUT, TL FLG, 1/4-20, G, ZAG	4
12	123286GT	LATCH,COMPRESSION,THIN GRIP	1
13	825950GT	PLATE,FUEL DOOR	1
14	1253497GT	AXLE,DANA,212,REAR,636	1
15	123577GT	STRAP KIT,DRIVESHAFT,1480	2
16	824770GT	DRIVESHAFT,1480-1480,REAR,GTH-	1
17	1255887GT	SCREW,HHC,5/16-18X.5,8,ZAG	2
18	825358GT	WASHER,FLAT,5/16,USS,ZAG	2
19	7-319-17GT	GROUND STRAP,12 IN.	1
20	56912GT	SPRING CLIP,1/4-20,.025-.15X.54,ZAG	4

SilverForm.CO.UK

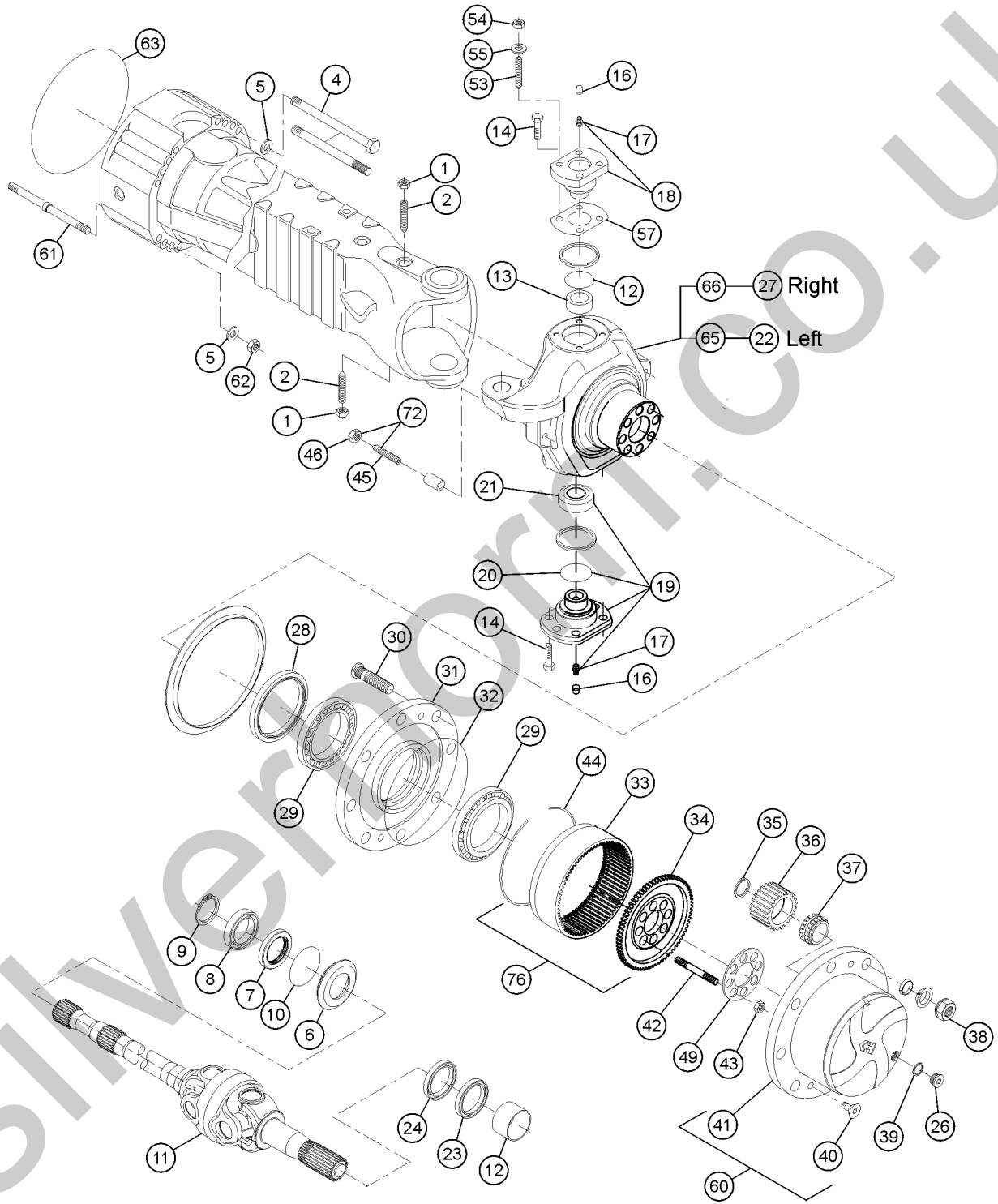
208.1 Central Housing, Front Axle



208.1 Central Housing, Front Axle

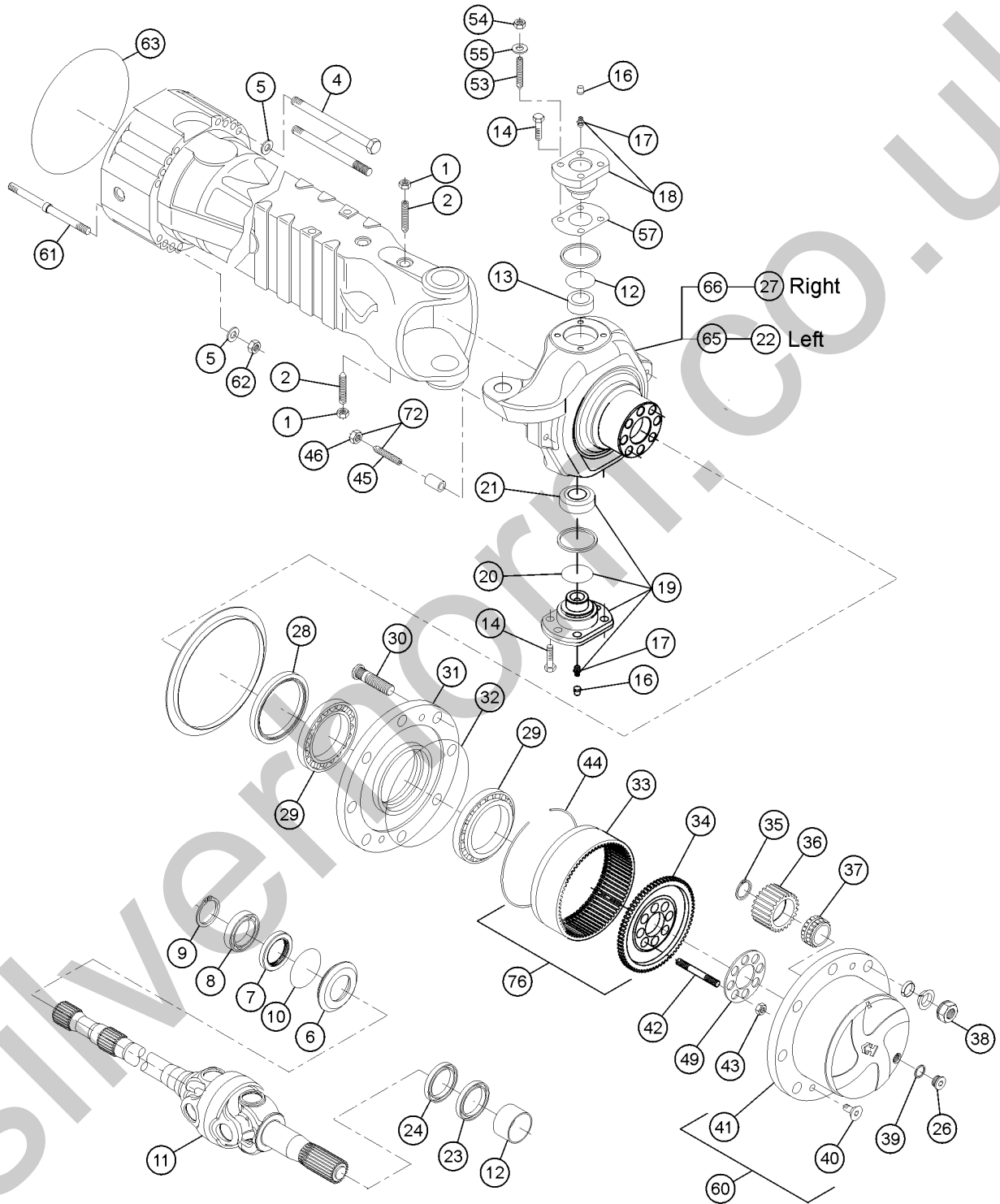
<i>Item</i>	<i>Part No.</i>	<i>Description</i>	<i>Qty.</i>
1	1259504GT	O-RING	3
2	1259514GT	COVER	1
3	7-229-939GT	AXLE HOUSING	1
4	1252627GT	PLUG	1
5	1252577GT	VENT	1
6	1252541GT	CIRCLIP	1
7	1252627GT	PLUG	1
8	1252579GT	MAGNETIC PLUG	1

209.1 Hub Reduction, Front Axle



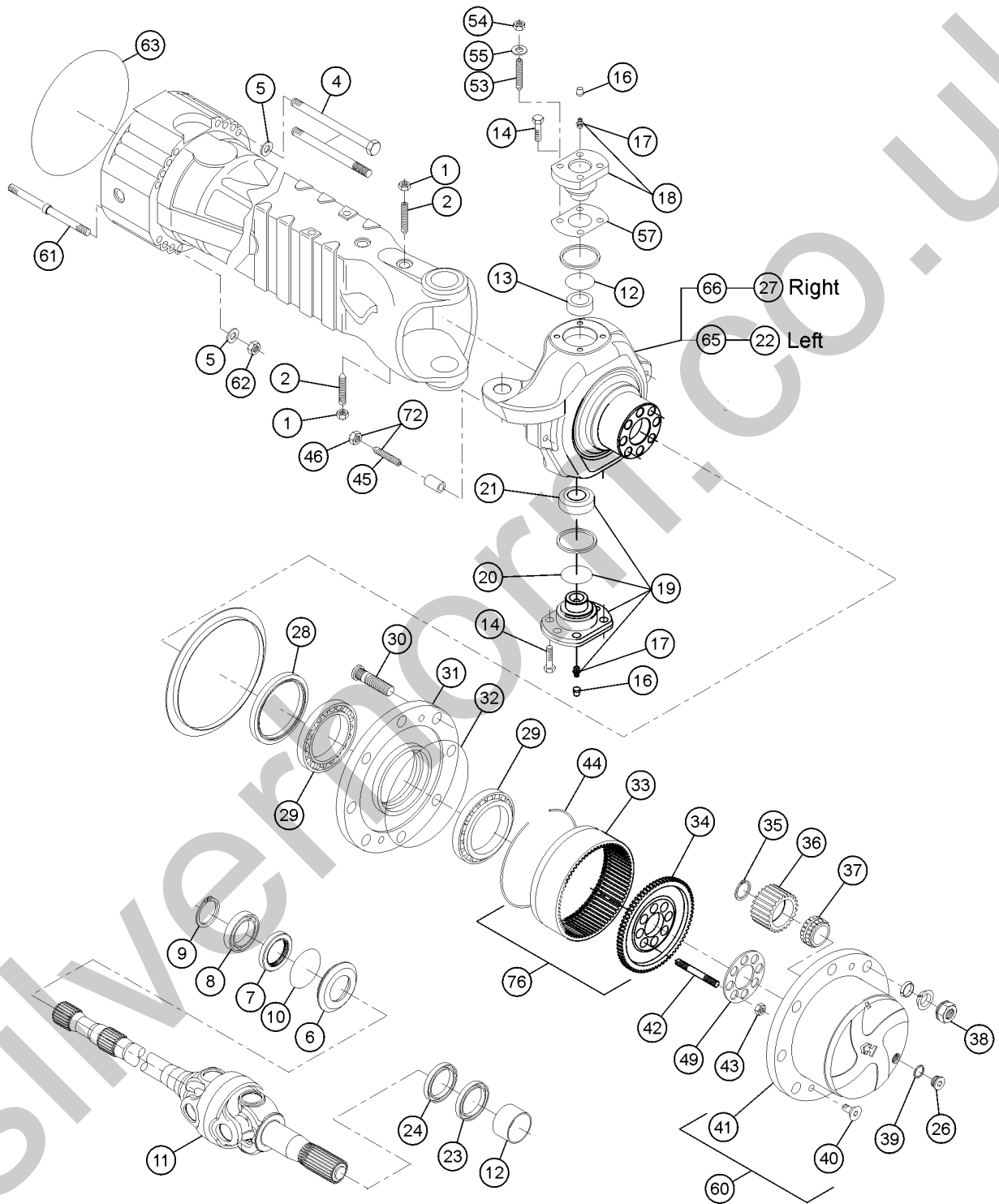
Item	Part No.	Description	Qty.
1	1252548GT	NUT	2
2	1259509GT	BOLT	2
3	1259544GT	AXLE CASE	2
4	1259529GT	BOLT	24
5	7-229-561GT	Washer	8
6	7-229-562GT	REDUCTION BUSHING	2
7	1252670GT	SEAL	2
8	1252544GT	BALL BEARING	2
9	1252540GT	CIRCLIP	2
10	1252532GT	O-RING	2
11	1259548GT	DOUBLE UNIVERSAL JOINT	2
12	7-229-568GT	THRUST BUSHING	1
13	7-229-569GT	OUTER RACE	2
14	1259520GT	BOLT	20
15	7-229-570GT	Cover	2
16	1252674GT	PLUG	4
17	1252554GT	GREASE FITTING	2
18	7-229-573GT	Pivot Pin	2
19	7-229-574GT	PIVOT PIN	2
20	7-229-575GT	Seal	2
21	7-229-576GT	ARTICULATION	2
22		Ref., STEERING CASE	1
23	1259545GT	SEAL	2
25	1252579GT	MAGNETIC PLUG	2
26	1252578GT	PLUG	4
27		Ref., STEERING CASE	1
28	7-229-582GT	Seal	2
29	7-229-583GT	BEARING	4

209.1 Hub Reduction, Front Axle



Item	Part No.	Description	Qty.
30	1280511GT	WHEEL STUD	16
31	1259526GT	WHEEL HUB	2
32	1259504GT	O-RING	2
33	7-229-587GT	Ring Gear	2
34	7-229-588GT	Ring Gear Support	2
35	7-229-589GT	Circlip	8
36	7-229-590GT	PLANET GEAR	8
37	7-229-591GT	Bearing	8
38	1280510GT	SHERICAL LUGNUT, M20X1.5, DANA	32
40	1252564GT	BOLT / COUNTERSUNK	4
41	1259527GT	PLANET GEAR CARRIER	2
42	1277507GT	STUD	16
43	7-229-596GT	Nut	16
44	7-229-543GT	Circlip	2
45	1259562GT	BOLT	4
46	7-229-599GT	NUT	4
49	7-229-600GT	Locking Plate	2
50	1252541GT	CIRCLIP	2
54	1251562GT	M12-1.25 HEX NUT	4
57	1259547GT	SHIM KIT	1
60	1259552GT	PLANET GEAR CARRIER	2
61	1259543GT	STUD	8
62	1259508GT	NUT	8
63	1259504GT	O-RING	2
65	1259549GT	STEERING CASE	1
66	1259550GT	STEERING CASE	1
72	1259563GT	BOLT	4
76	1259551GT	RING GEAR SUPPORT	2

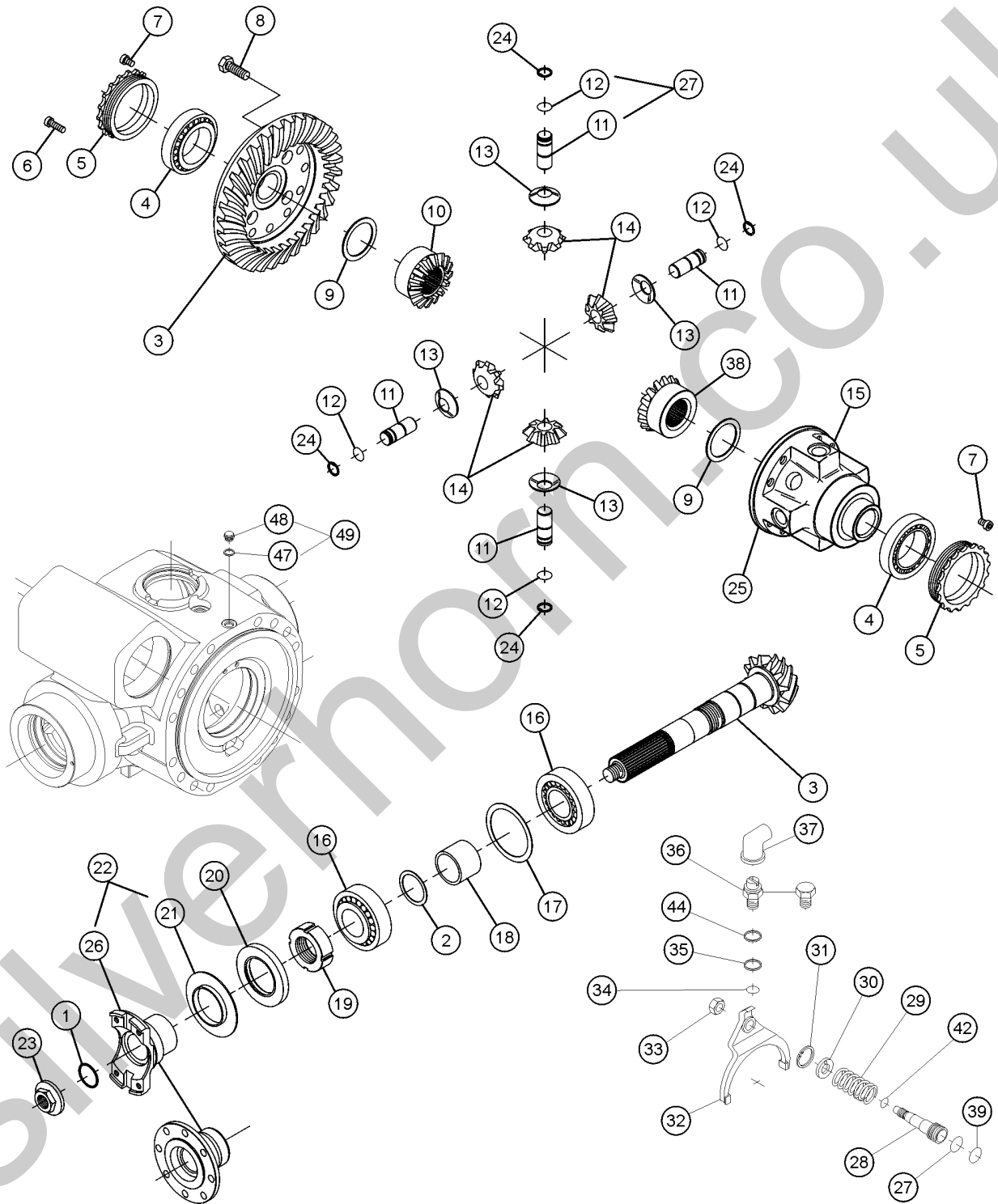
209.1 Hub Reduction, Front Axle



<i>Item</i>	<i>Part No.</i>	<i>Description</i>	<i>Qty.</i>
86	1259531GT	PLANET GEAR	8

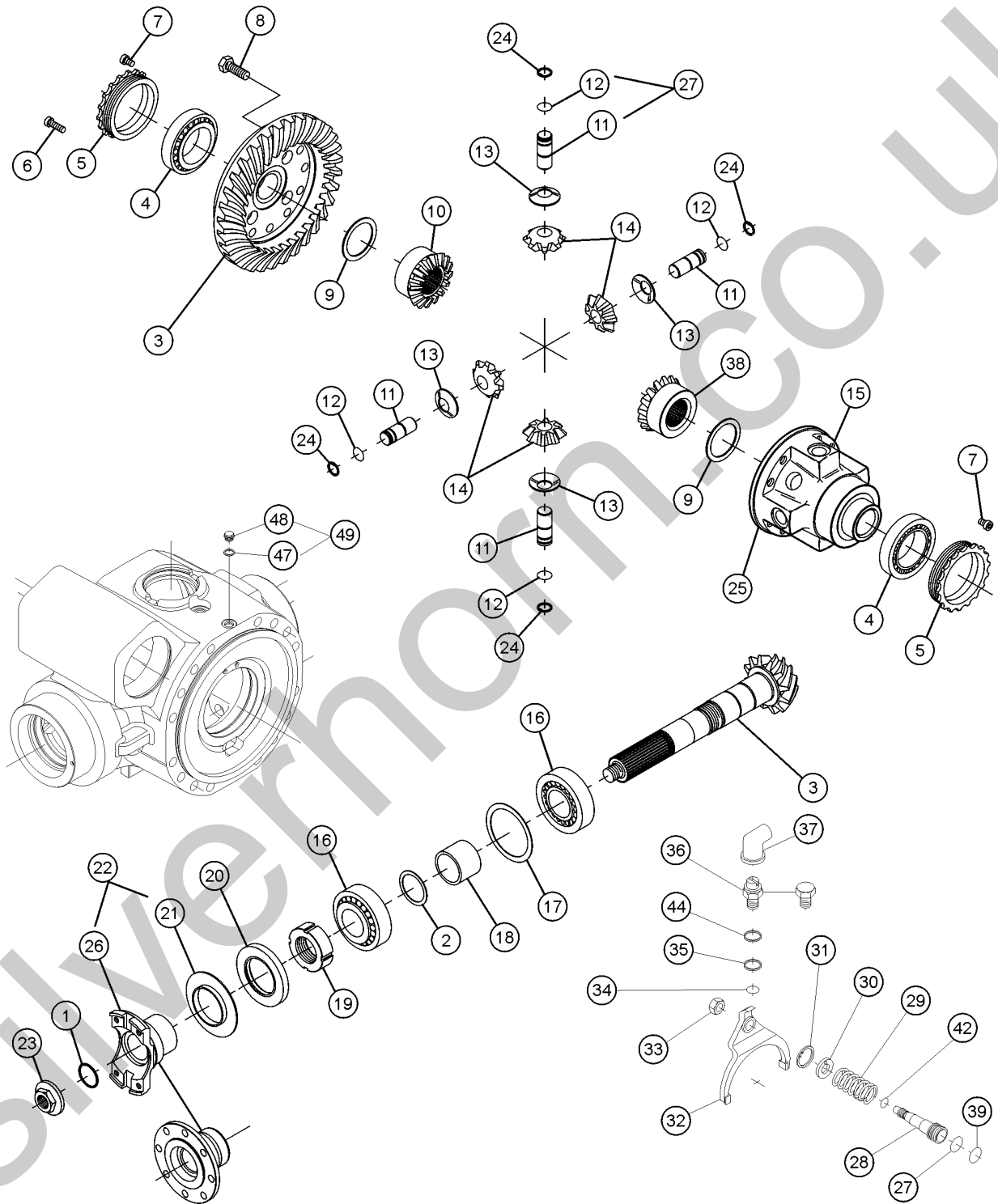
Silverhorn.CO.UK

210.1 Differential, Front Axle



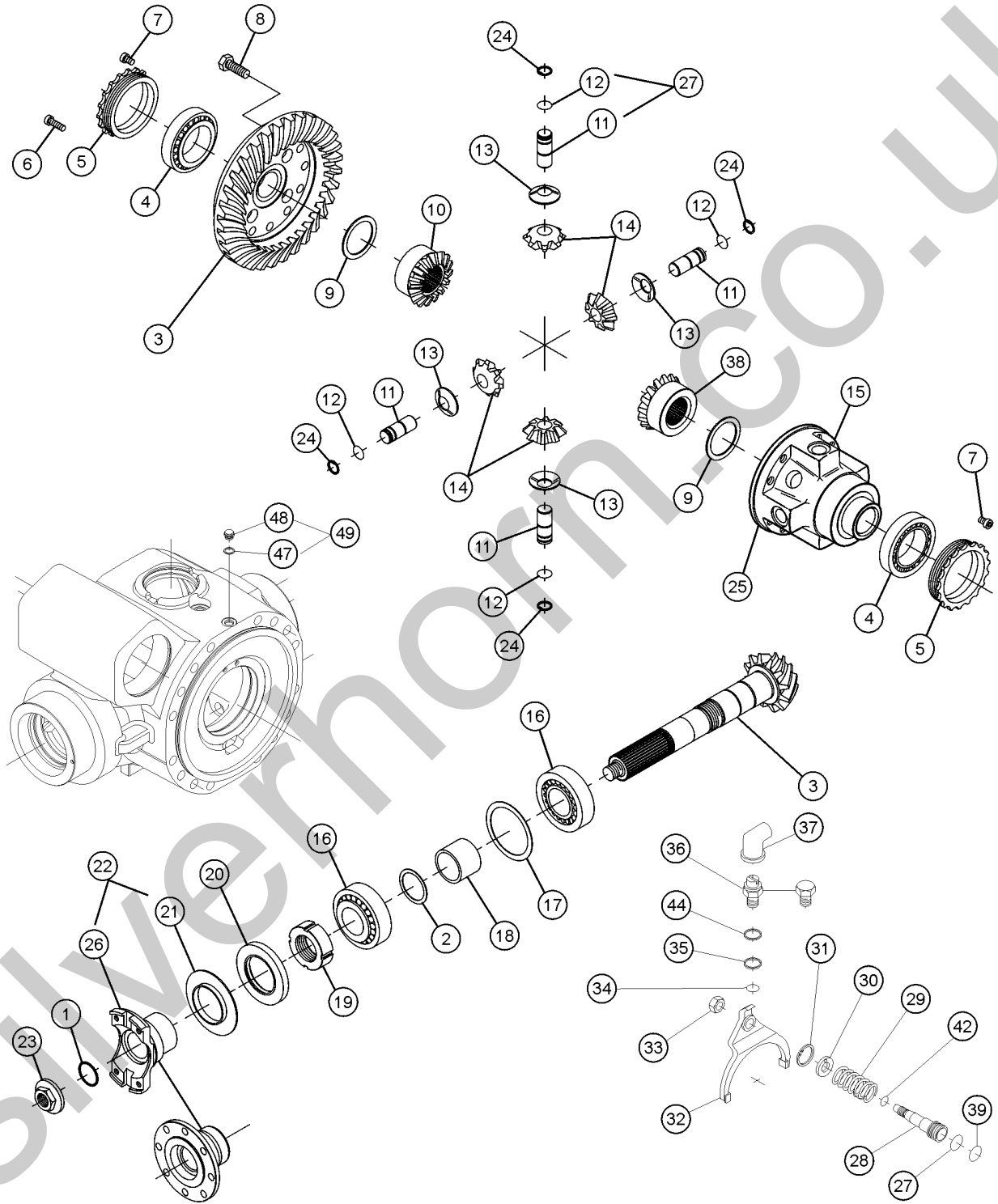
Item	Part No.	Description	Qty.
1	1259506GT	O-RING	1
2	1259536GT	SHIM KIT	1
3	1259522GT	BEVEL GEAR SET	1
4	1259507GT	TAPER ROLLER BEARING	2
5	7-229-536GT	Ring Nut	2
6	7-229-537GT	CYLINDER BOLT	4
7	7-229-538GT	CYLINDER BOLT	2
8	1252570GT	BOLT	12
9	7-229-540GT	Friction Washer	2
10	7-229-541GT	Differential Side Gear	1
11	1259519GT	PIN	4
12	7-229-543GT	Circlip	4
13	7-229-544GT	Friction Washer	4
14	1259515GT	DIFFERENTIAL PINION	4
15	7-229-716GT	Differential Carrier	1
16	7-229-922GT	BEARING ASSY	2
17	1259521GT	SHIM KIT	1
18	7-229-549GT	Spacer	1
19	7-229-550GT	Ring Nut	1
20	1259501GT	SEAL	1
21	7-229-552GT	COVER PLATE	1
22	7-229-943GT	FLANGE	1
23	07.0709.1290GT	Nut	1
24	7-229-555GT	Circlip	4
25	7-229-717GT	Sheet	1
26	7-229-718GT	SELECTOR	1
27	7-229-719GT	O-Ring	1
28	7-229-720GT	Piston	1

210.1 Differential, Front Axle



Item	Part No.	Description	Qty.
29	7-229-721GT	Spring	1
30	7-229-722GT	Plug	1
31	7-229-723GT	Circlip	1
32	7-229-724GT	Selector Fork	1
33	1259508GT	NUT	1
34	7-229-726GT	O-RING	1
35	7-229-727GT	SEAL WASHER	1
36	1252676GT	SECURITY SWITCH	1
37	7-229-729GT	BOOT	1
38	1259517GT	DIFFERENTIAL SIDE GEAR	1
39	7-229-730GT	Ring	1
40	7-229-731GT	DETENT BALL	6
41	1252543GT	KEY	1
42	7-229-733GT	Circlip	1
43	7-229-945GT	DIFFERENTIAL ASSY	1
44	1252557GT	SEAL WASHER	1
45	7-229-553GT	Flange	1
46	1259525GT	PIN	4
47		SEAL WASHER Replaced by 1252586GT	
48	1252586GT	PLUG	1
49	1252586GT	PLUG	1
54	1251562GT	M12-1.25 HEX NUT	4
62	1259508GT	NUT	8
63	1259504GT	O-RING	2
65	1259549GT	STEERING CASE	1
66	1259550GT	STEERING CASE	1
72	1259563GT	BOLT	4
76	1259551GT	RING GEAR SUPPORT	2

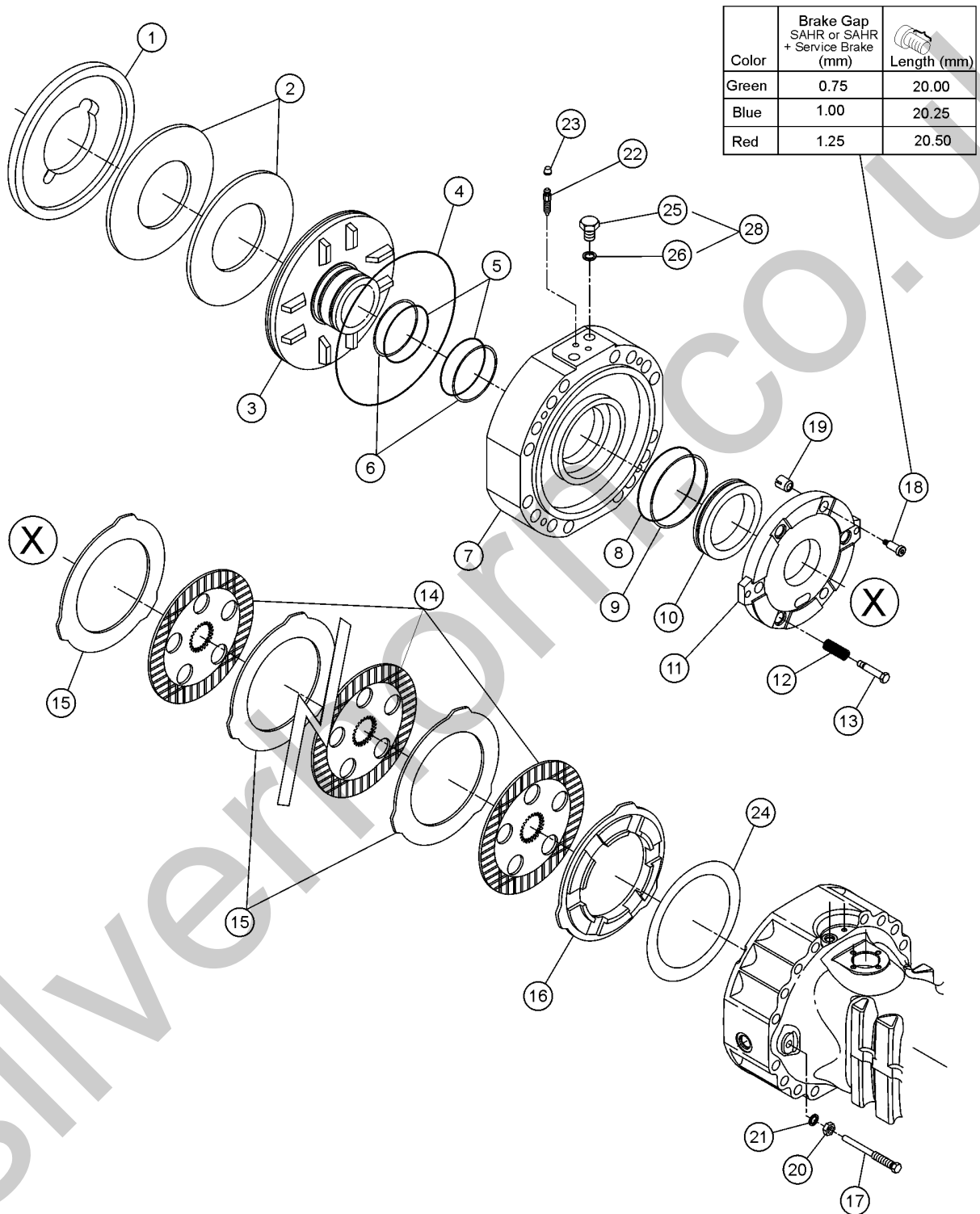
210.1 Differential, Front Axle



<i>Item</i>	<i>Part No.</i>	<i>Description</i>	<i>Qty.</i>
86	1259531GT	PLANET GEAR	8

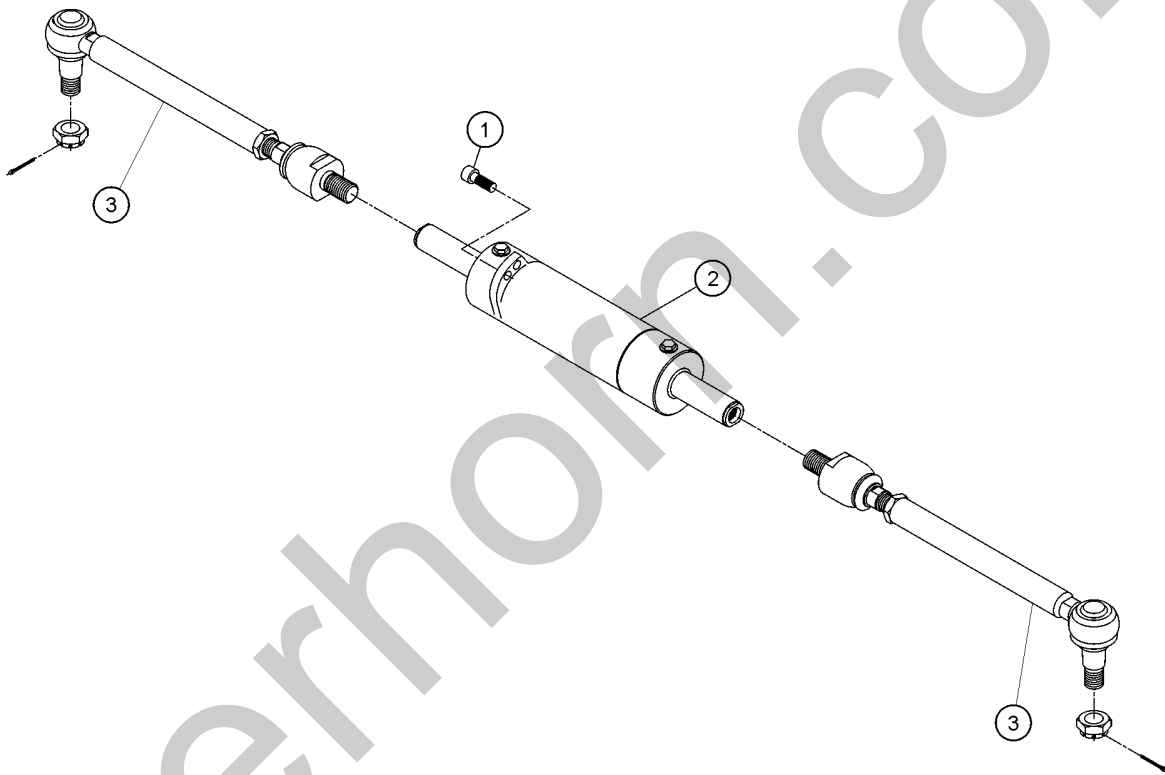
Silverhorn.CO.UK

211.1 Brakes, Front Axle



Item	Part No.	Description	Qty.
1	1259559GT	SPACER	1
2	1259537GT	SPRING	4
3	1259553GT	PISTON	2
4	1259505GT	O-RING	2
5	1288862GT	SEAL,ANTI-TWIST includes item 6	4
6		BACK-UP RING not available separately	4
7	1259538GT	COVER	2
8	1273946GT	SEAL includes item 9	2
9		BACK-UP RING not available separately	2
10	1259558GT	PISTON	2
11	1259554GT	INTERMEDIATE DISC BRAKE	2
12	1252628GT	SPRING	6
13	1252625GT	ADJUSTING BOLT	6
14	1259535GT	BRAKE DISC quantity is for the axle	8
15	1259532GT	INTERMEDIATE DISC BRAKE quantity is for the axle	8
16	1259555GT	SPACER	2
17	1252624GT	BOLT	4
18	1259533GT	ADJUSTING BOLT	6
19	1252583GT	SPRING	4
20	1252549GT	NUT	4
21	1252559GT	LOCKWASHER REPLACES 1277429	4
22	1252673GT	BLEEDER BOLT	4
23	1252674GT	PLUG	4
24	1259534GT	SHIM KIT	1
25	1252566GT	PLUG	4
26		SEAL WASHER Replaced by 1252586GT	
28	1252586GT	PLUG	4

212.1 Steering, Front Axle

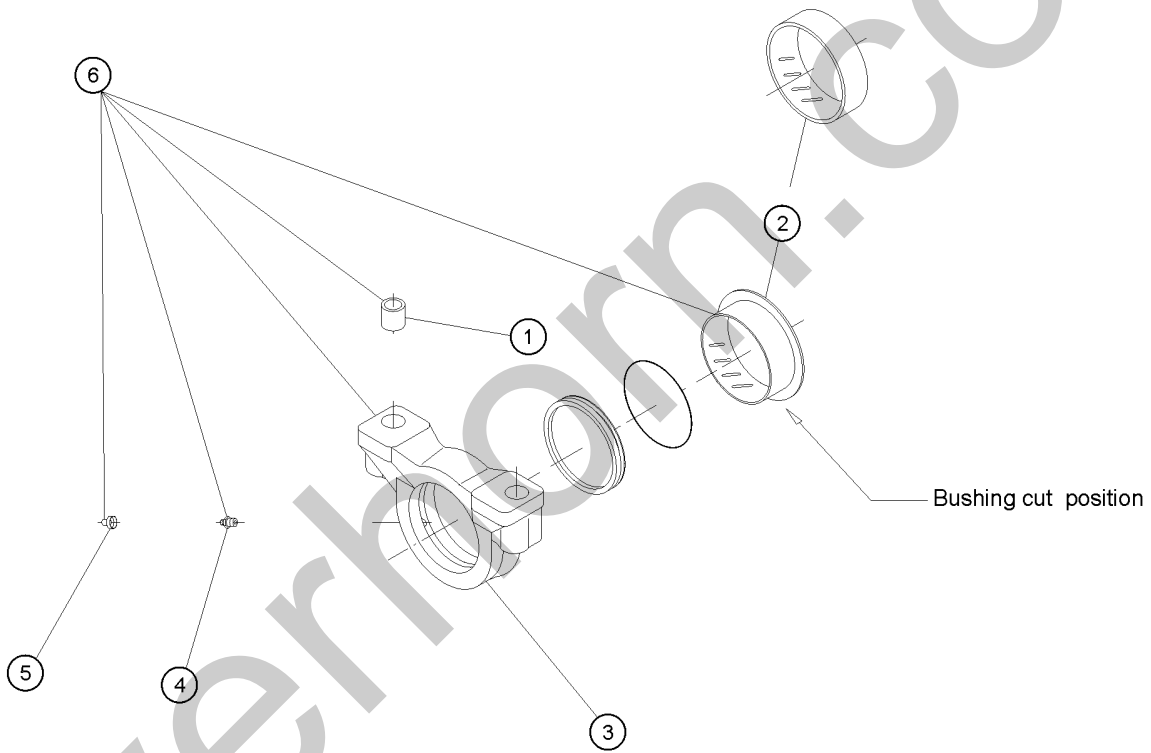


212.1 Steering, Front Axle

Item	Part No.	Description	Qty.
1	1259510GT	BOLT	4
2	1259561GT	CYLINDER	1
2-	1289774GT	SEAL KIT (1259561) for 1259561	
3A	1270919GT	TIE ROD, 212 AXLE, BENT, RIGHT (engine side)	1
3B	1270920GT	TIE ROD, 212 AXLE, BENT, LEFT (cab side)	1

Silverhorn.CO.UK

213.1 Trunion, Front Axle

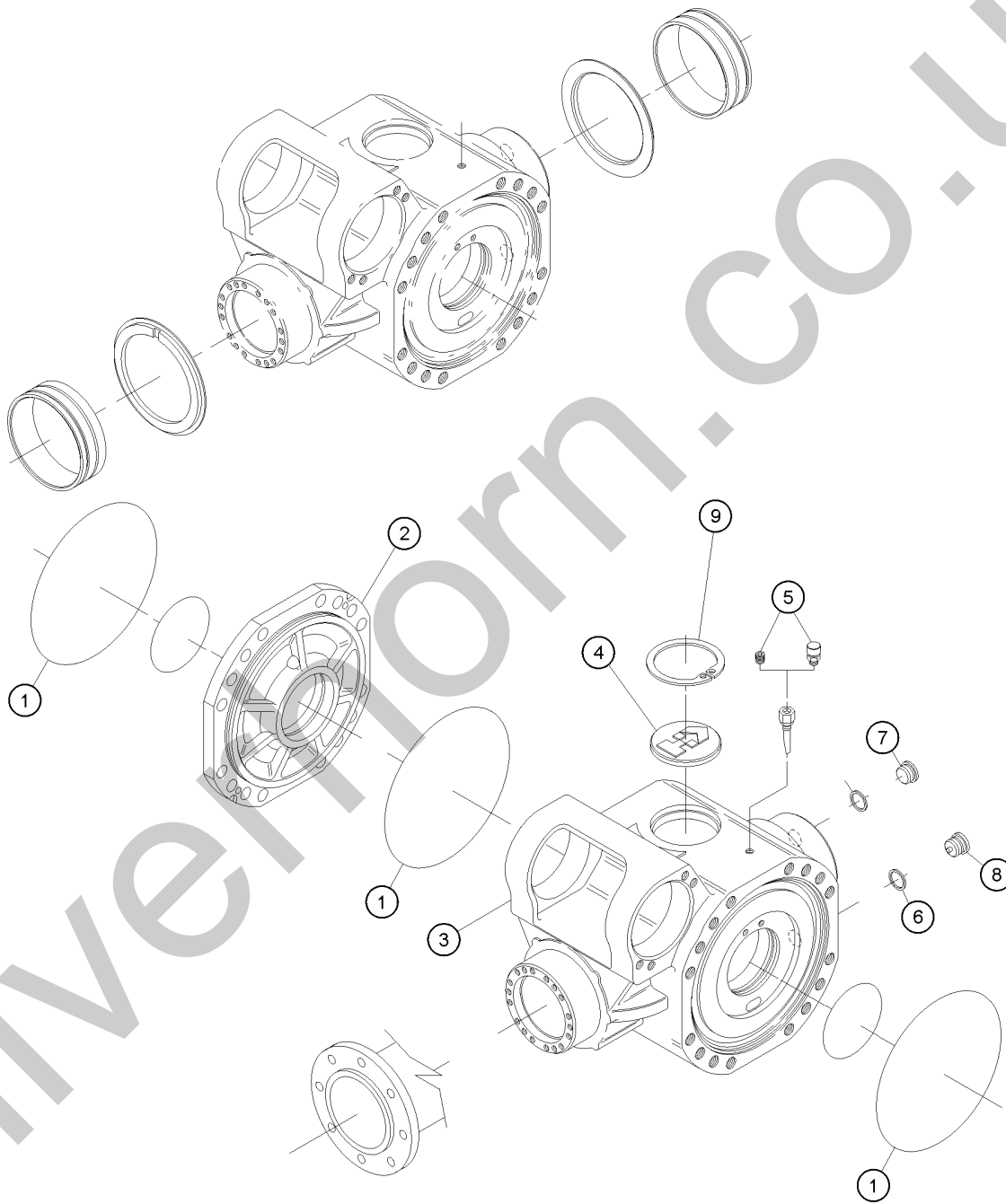


213.1 Trunion, Front Axle

Item	Part No.	Description	Qty.
1	7-229-620GT	REDUCTION BUSHING	4
2	7-229-621GT	Thrust Bushing flanged bushing	2
2-	7-229-568GT	THRUST BUSHING not a flanged bushing	2
3	7-229-622GT	Support	2
4	1252554GT	GREASE FITTING	2
5	1252674GT	PLUG	2
6	1259565GT	SUPPORT	2

Silverhorn.CO.UK

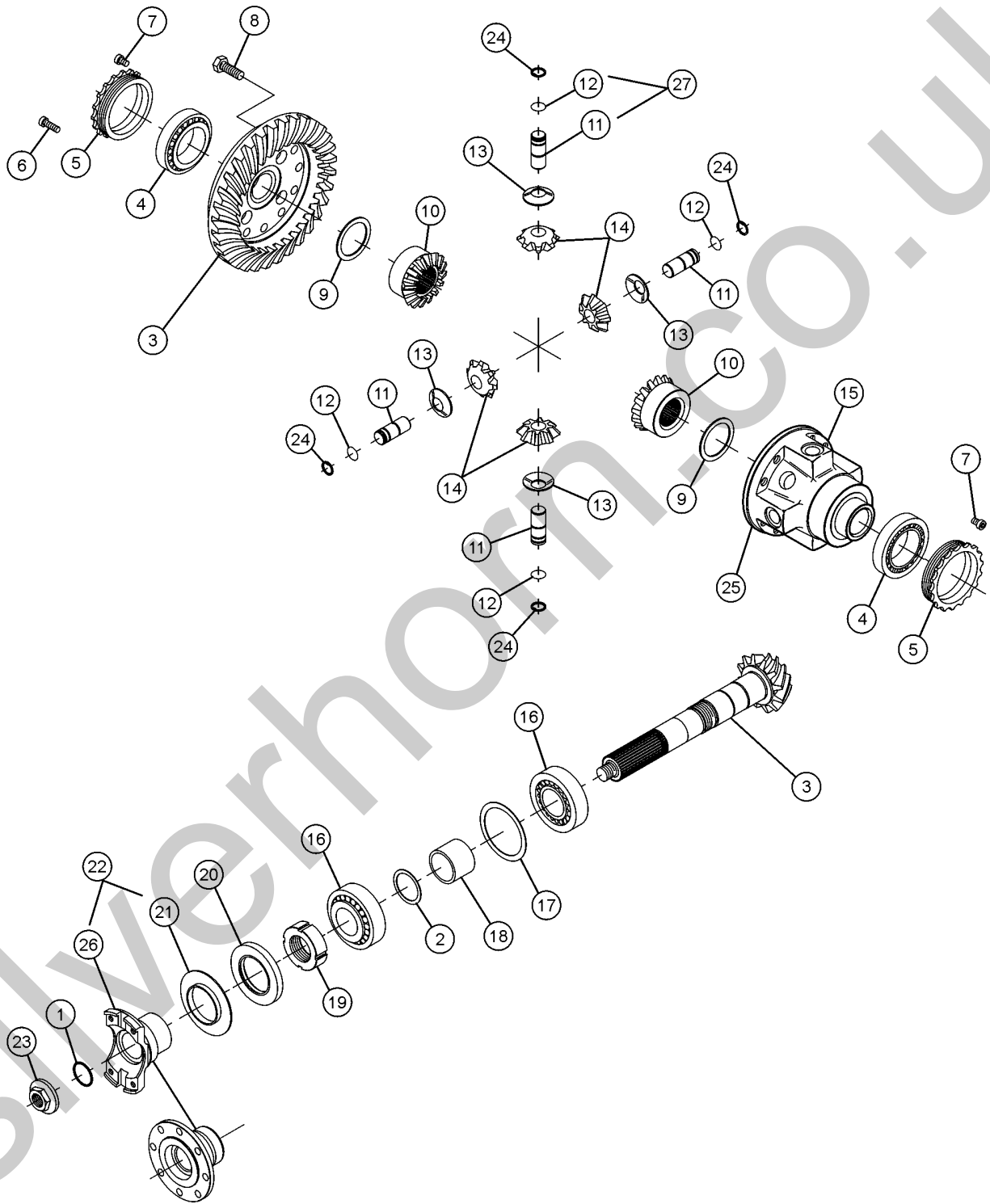
214.1 Central Housing, Rear Axle



214.1 Central Housing, Rear Axle

Item	Part No.	Description	Qty.
1	1259504GT	O-RING	3
2	1259513GT	COVER	1
3	7-229-925GT	HOUSING/AXLE	1
4	1252627GT	PLUG	1
5	1252577GT	VENT	1
7	1252578GT	PLUG	1
8	1252579GT	MAGNETIC PLUG	1
9	1252541GT	CIRCLIP	

215.1 Differential, Rear Axle

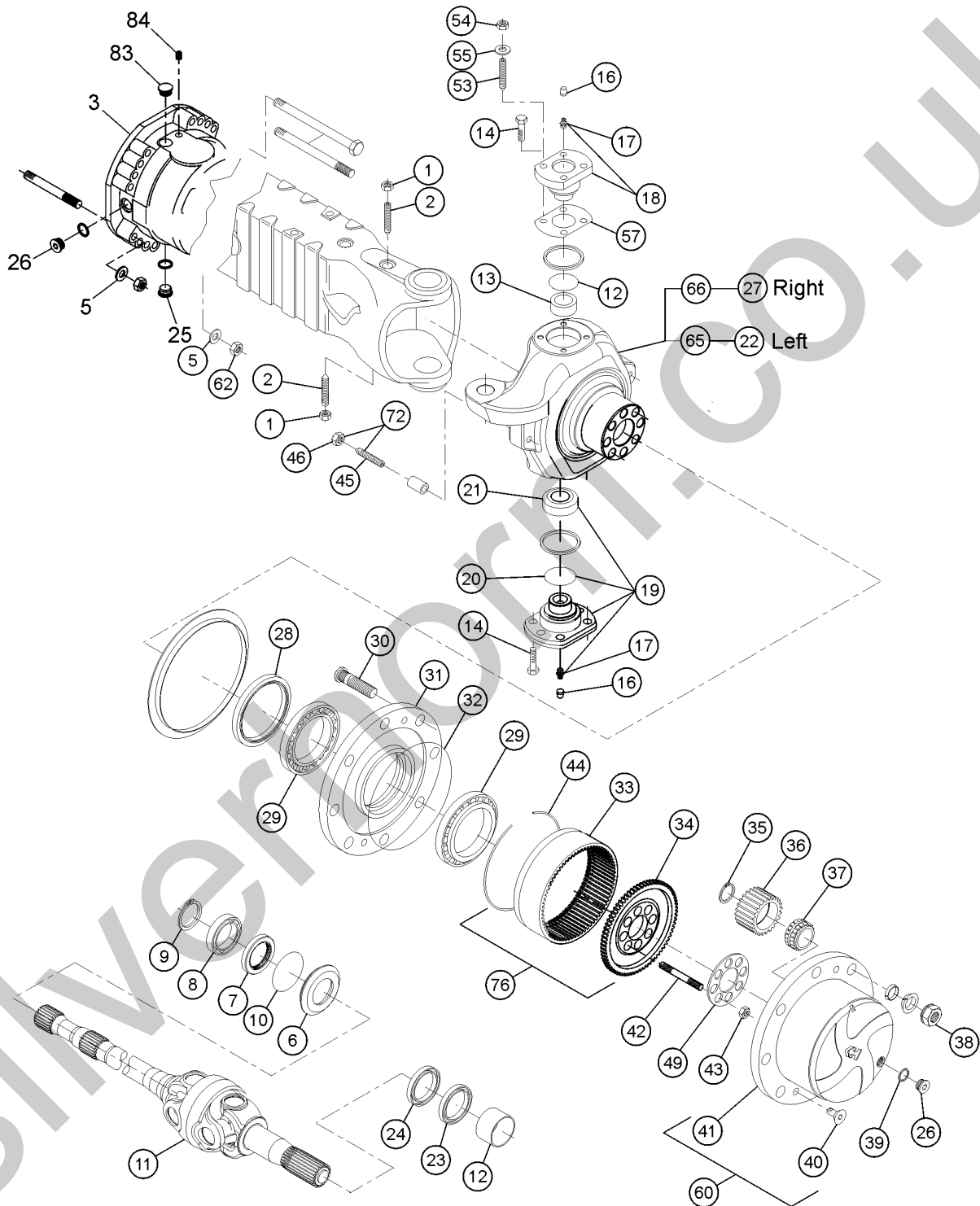


Silverhawk.com.uk

215.1 Differential, Rear Axle

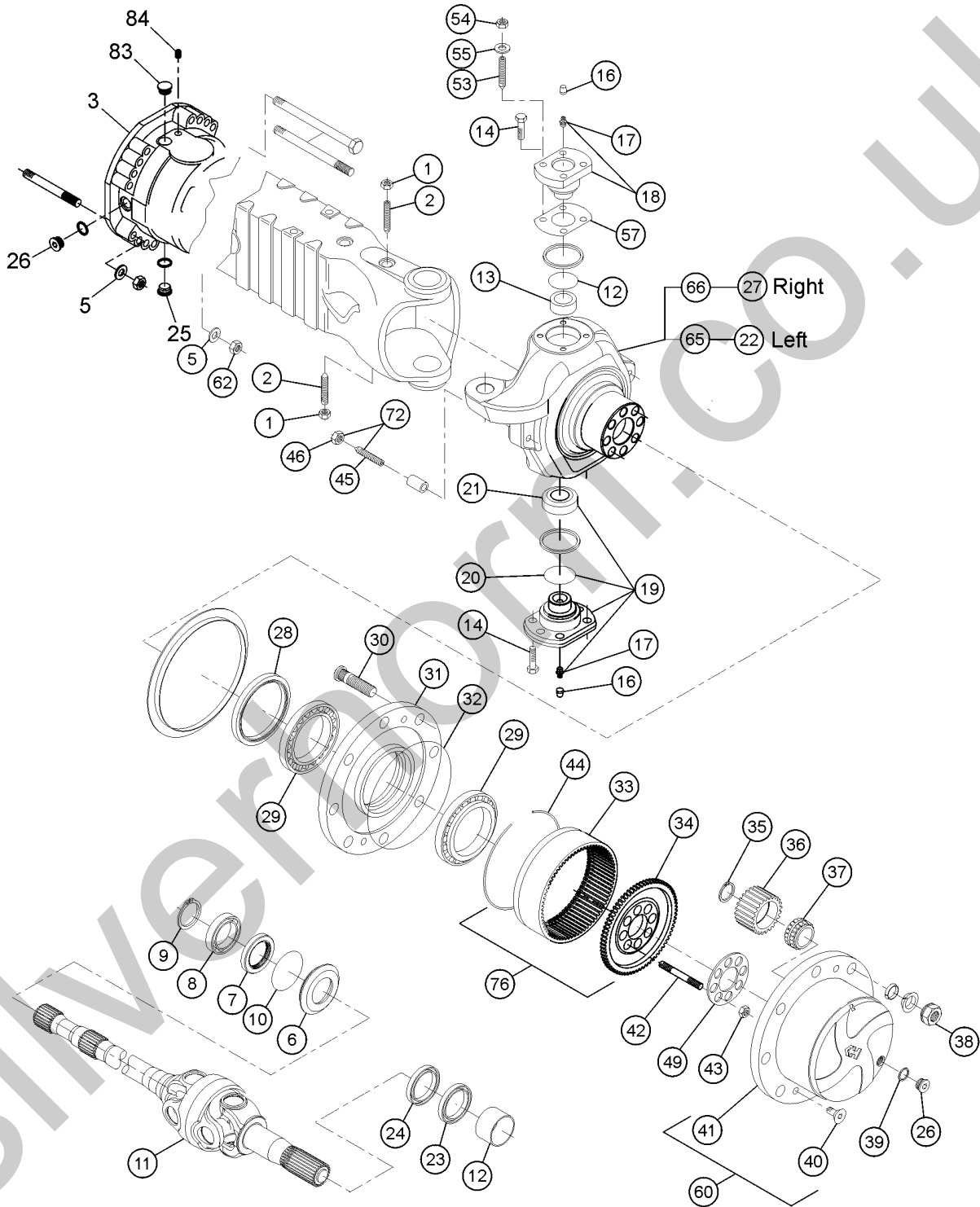
Item	Part No.	Description	Qty.
1	7-229-528GT	O-RING	1
2	1259536GT	SHIM KIT	1
3	7-229-994GT	DIFFERENTIAL SIDE GEAR	1
4	1259507GT	TAPER ROLLER BEARING	2
5	7-229-536GT	Ring Nut	2
6	7-229-537GT	CYLINDER BOLT	4
7	7-229-538GT	CYLINDER BOLT	2
8	1252569GT	BOLT	12
9	7-229-540GT	Friction Washer	2
10	1259518GT	DIFFERENTIAL SIDE GEAR	2
11	1259519GT	PIN	4
12	7-229-543GT	Circlip	4
13	7-229-544GT	Friction Washer	4
14	1259516GT	DIFFERENTIAL PINION	4
15	7-229-546GT	Differential Carrier	1
16	7-229-922GT	BEARING ASSY	2
17	1259521GT	SHIM KIT	1
18	7-229-549GT	Spacer	1
19	7-229-550GT	Ring Nut	1
20	1259501GT	SEAL	1
21	7-229-552GT	COVER PLATE	1
22	7-229-943GT	FLANGE	1
23	07.0709.1290GT	Nut	1
24	7-229-555GT	Circlip	4
25	1259523GT	DIFFERENTIAL ASSEMBLY	1
26	7-229-553GT	Flange	1
27	1259525GT	PIN	4
28	1259524GT	GEAR KIT	1

216.1 Hub Reduction, Rear Axle



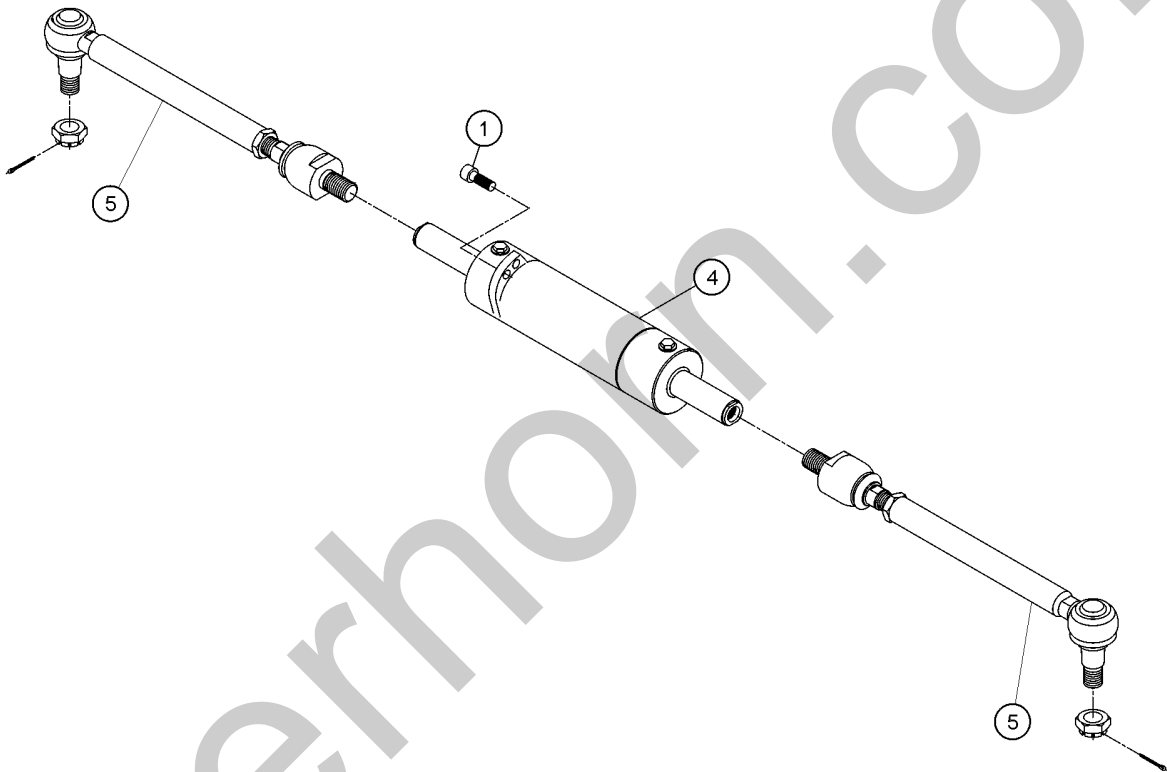
Item	Part No.	Description	Qty.
1	7-229-623GT	NUT	2
2	1259509GT	BOLT	2
3	1259546GT	AXLE CASE	2
4	1259528GT	BOLT	32
6	7-229-562GT	REDUCTION BUSHING	2
7	1252670GT	SEAL	2
8	1252544GT	BALL BEARING	2
9	1252540GT	CIRCLIP	2
10	7-229-963GT	O-RING	2
11	1259548GT	DOUBLE UNIVERSAL JOINT	2
12	7-229-568GT	THRUST BUSHING	1
13	1259542GT	BUSHING	2
14	1259520GT	BOLT	20
15	7-229-570GT	Cover	2
16	1252674GT	PLUG	4
17	1252554GT	GREASE FITTING	2
18	7-229-573GT	Pivot Pin	2
19	7-229-574GT	PIVOT PIN	2
20	7-229-575GT	Seal	2
21	7-229-576GT	ARTICULATION	2
22		Ref., STEERING CASE	1
23	1259545GT	SEAL	2
25	1252579GT	MAGNETIC PLUG	2
26	1252578GT	PLUG	4
27		Ref., STEERING CASE	1
28	7-229-582GT	Seal	2
29	7-229-583GT	BEARING	4
30	1280511GT	WHEEL STUD	16

216.1 Hub Reduction, Rear Axle



Item	Part No.	Description	Qty.
31	1259526GT	WHEEL HUB	2
32	1259504GT	O-RING	2
33	7-229-587GT	Ring Gear	2
34	7-229-588GT	Ring Gear Support	1
35	7-229-589GT	Circlip	8
36	7-229-590GT	PLANET GEAR	8
37	7-229-591GT	Bearing	8
38	1280510GT	SHERICAL LUGNUT, M20X1.5, DANA	16
40	1252564GT	BOLT / COUNTERSUNK	4
41	1259527GT	PLANET GEAR CARRIER	2
42	1277507GT	STUD	16
43	7-229-596GT	Nut	16
44	7-229-597GT	Circlip	2
45	1259562GT	BOLT	4
46	1252550GT	NUT	4
47	7-229-600GT	Locking Plate	2
48	1252541GT	CIRCLIP	2
54	1261562GT	MUDGUARD NUT,M12X1.25, DANA	4
57	1259547GT	SHIM KIT	1
60	1259552GT	PLANET GEAR CARRIER	2
65	1259549GT	STEERING CASE	1
66	1259550GT	STEERING CASE	1
72	7-229-823GT	BOLT	4
76	1259551GT	RING GEAR SUPPORT	2
83	1259511GT	PLUG	2
84	1259512GT	PLUG	2
86	1259531GT	PLANET GEAR	8

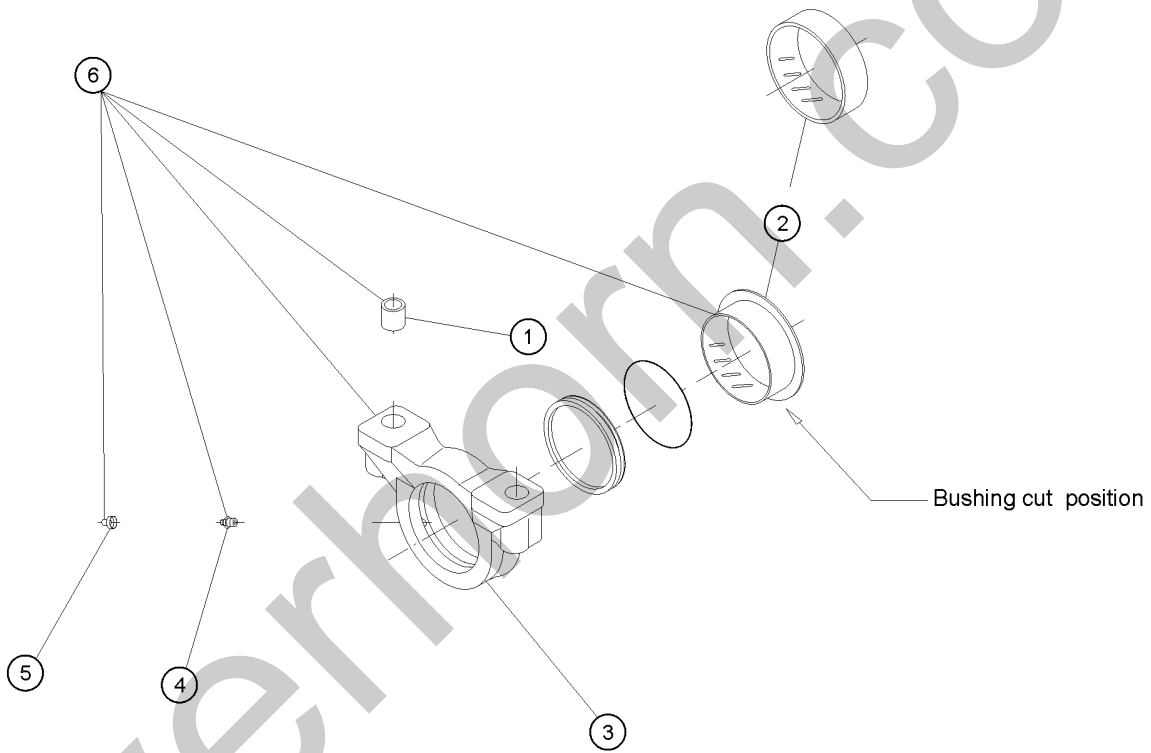
217.1 Steering, Rear Axle



<i>Item</i>	<i>Part No.</i>	<i>Description</i>	<i>Qty.</i>
1	1259510GT	BOLT	4
4	1259561GT	CYLINDER	1
4-	1289774GT	SEAL KIT (1259561) for 1259561	
5	1259560GT	BAR	2

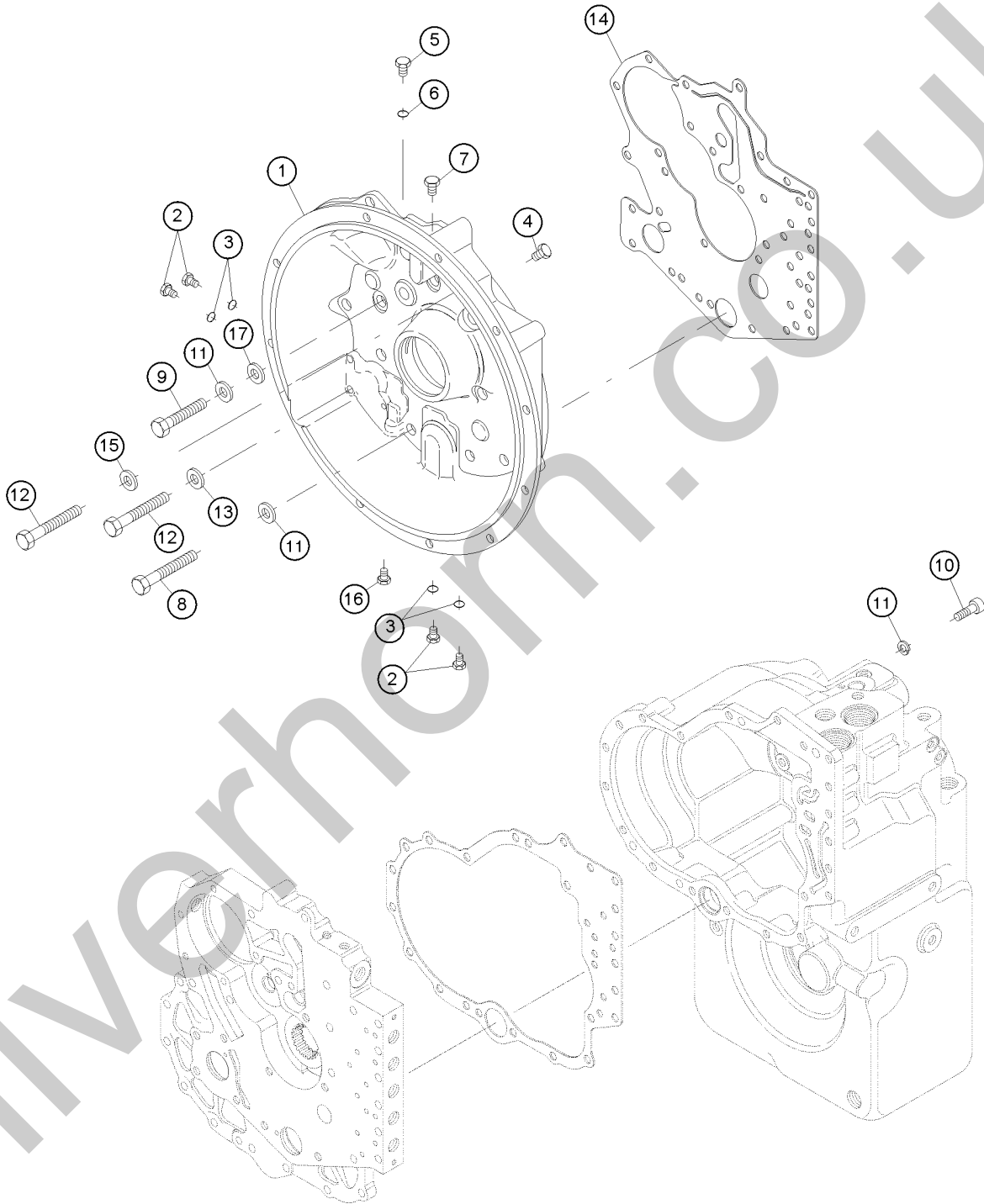
Silverhorn.co.uk

218.1 Trunion, Rear Axle



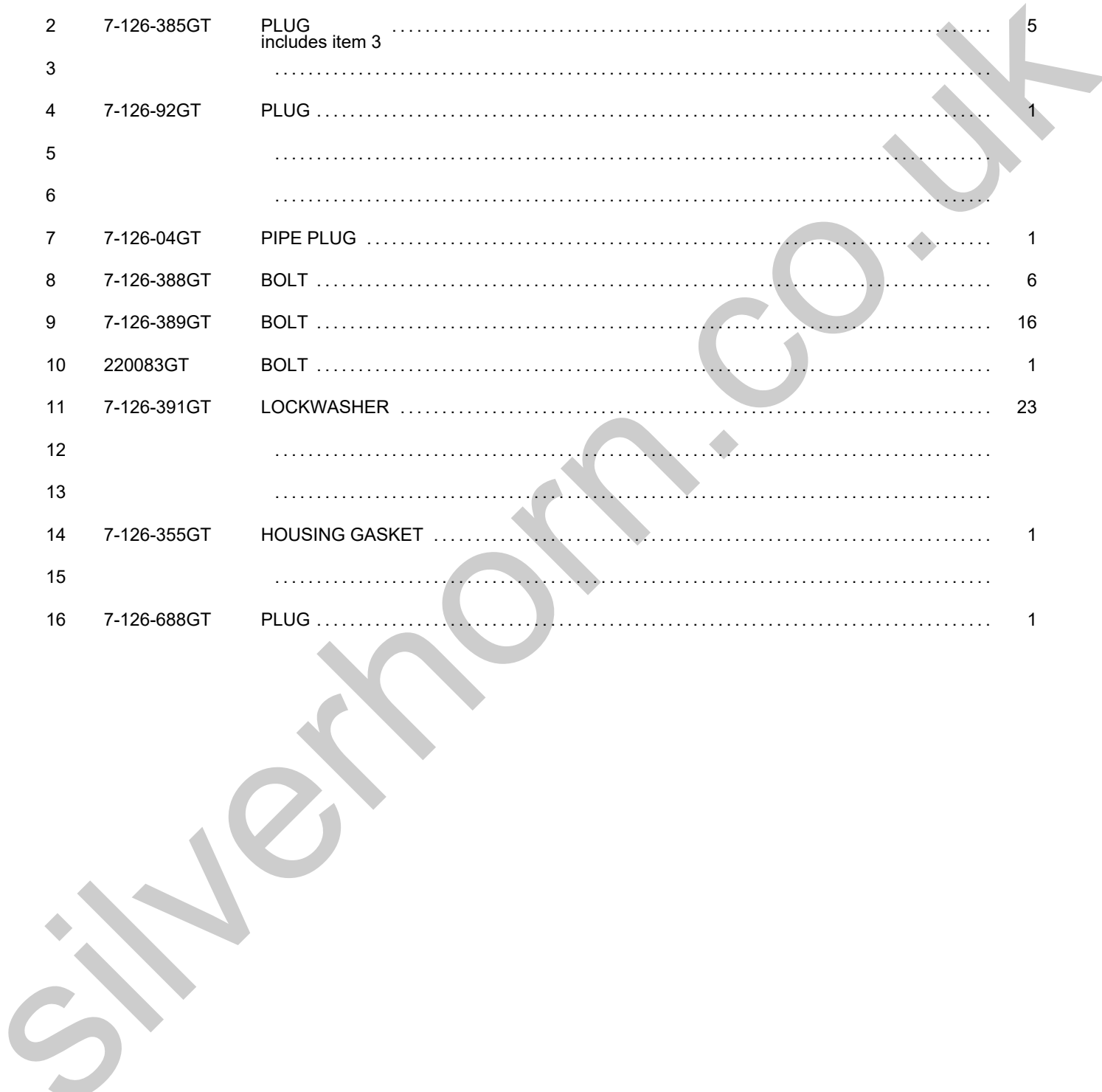
Item	Part No.	Description	Qty.
1	7-229-620GT	REDUCTION BUSHING	4
2	7-229-621GT	Thrust Bushing flanged bushing	2
2-	7-229-568GT	THRUST BUSHING not a flanged bushing	2
3	7-229-622GT	Support	2
4	1252554GT	GREASE FITTING	2
5	1252674GT	PLUG	2
6	1259565GT	SUPPORT	2

301.1 Converter Housing

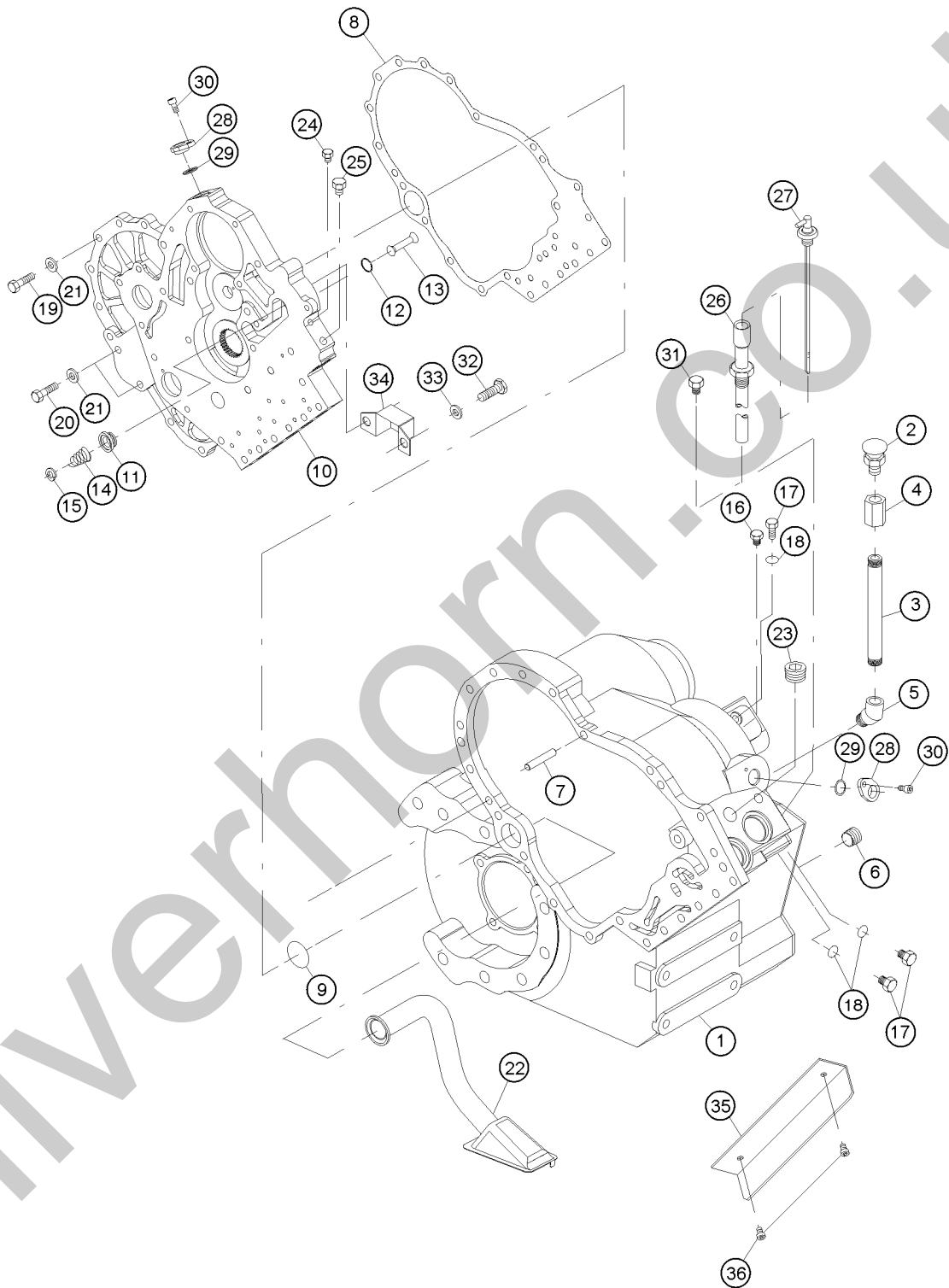


301.1 Converter Housing

Item	Part No.	Description	Qty.
1		CONVERTER HOUSING	1
2	7-126-385GT	PLUG includes item 3	5
3		
4	7-126-92GT	PLUG	1
5		
6		
7	7-126-04GT	PIPE PLUG	1
8	7-126-388GT	BOLT	6
9	7-126-389GT	BOLT	16
10	220083GT	BOLT	1
11	7-126-391GT	LOCKWASHER	23
12		
13		
14	7-126-355GT	HOUSING GASKET	1
15		
16	7-126-688GT	PLUG	1

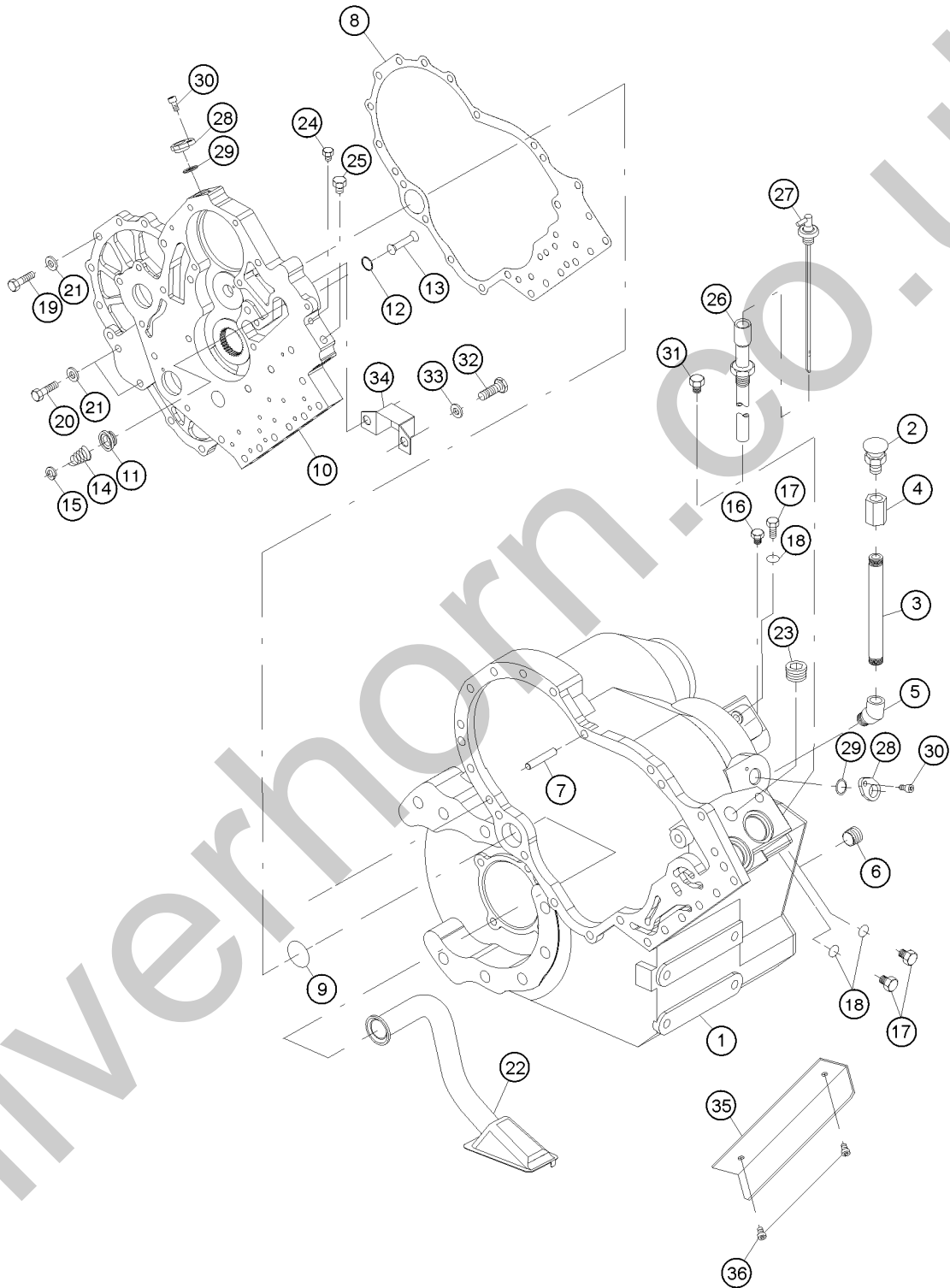


302.1 Transmission Case



Item	Part No.	Description	Qty.
1	220102GT	HOUSING	1
2	7-126-05GT	BREATHER / AIR	1
3	220103GT	ADAPTER	1
4	220104GT	ADAPTER	1
5	220105GT	ADAPTER	1
6	7-126-33GT	PLUG,MAGNETIC DRAIN	2
7	220106GT	DOWEL	2
8	7-126-357GT	GASKET / PLATE TO TRANS.	1
9	7-126-359GT	SEAL / OIL SUPPLY TUBE	1
10	220107GT	INTERMEDIATE COVER	1
11	7-126-399GT	TRANSMISSION,SPRING,SEAT	1
12	7-126-400GT	SNAP RING	1
13	7-126-401GT	POPPET	1
14	7-126-402GT	SPRING	1
15	7-126-403GT	Washer	1
16	7-126-92GT	PLUG	2
17	7-126-30GT	PLUG	3
18		
19	220112GT	BOLT	7
20	220113GT	BOLT	2
21	7-126-391GT	LOCKWASHER	9
22	220108GT	TUBE	1
23	7-126-265GT	PIPE PLUG	1
24		
25	7-126-04GT	PIPE PLUG	1
26	220109GT	TUBE	1
27	220110GT	DIPSTICK	1
28	7-126-404GT	PLUG,SPEED SENSOR PORT	2

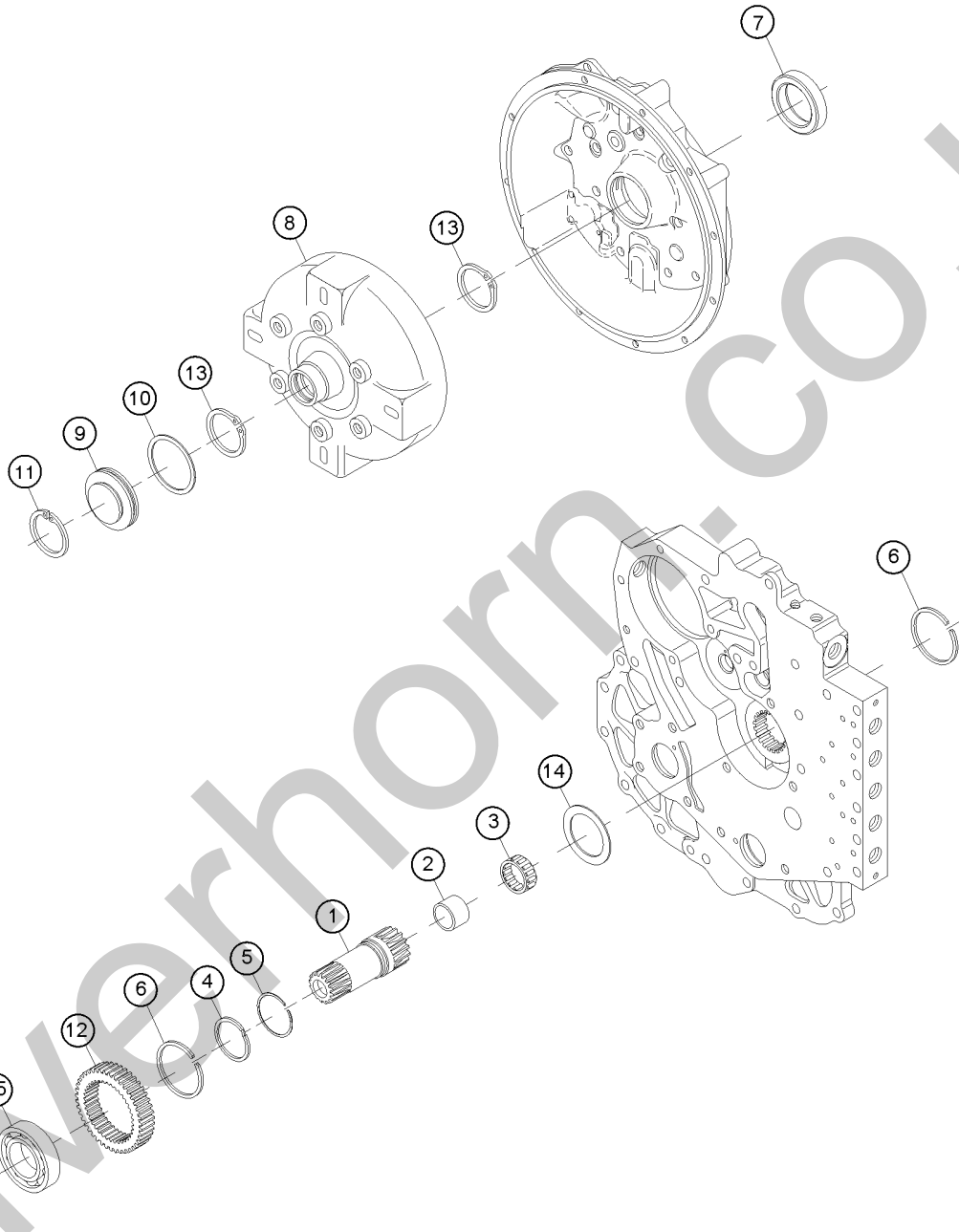
302.1 Transmission Case



Item	Part No.	Description	Qty.
29	7-126-356GT	O-RING,SPEED SENSOR	2
30	7-126-405GT	SCREW,SPEED SENSOR	2
31		
32	220114GT	BOLT	2
33	7-126-409GT	WASHER	2
34	220115GT	GUARD	1
35	220116GT	COVER PLATE	1
36	220117GT	BOLT	2

Silverhorn.CO.UK

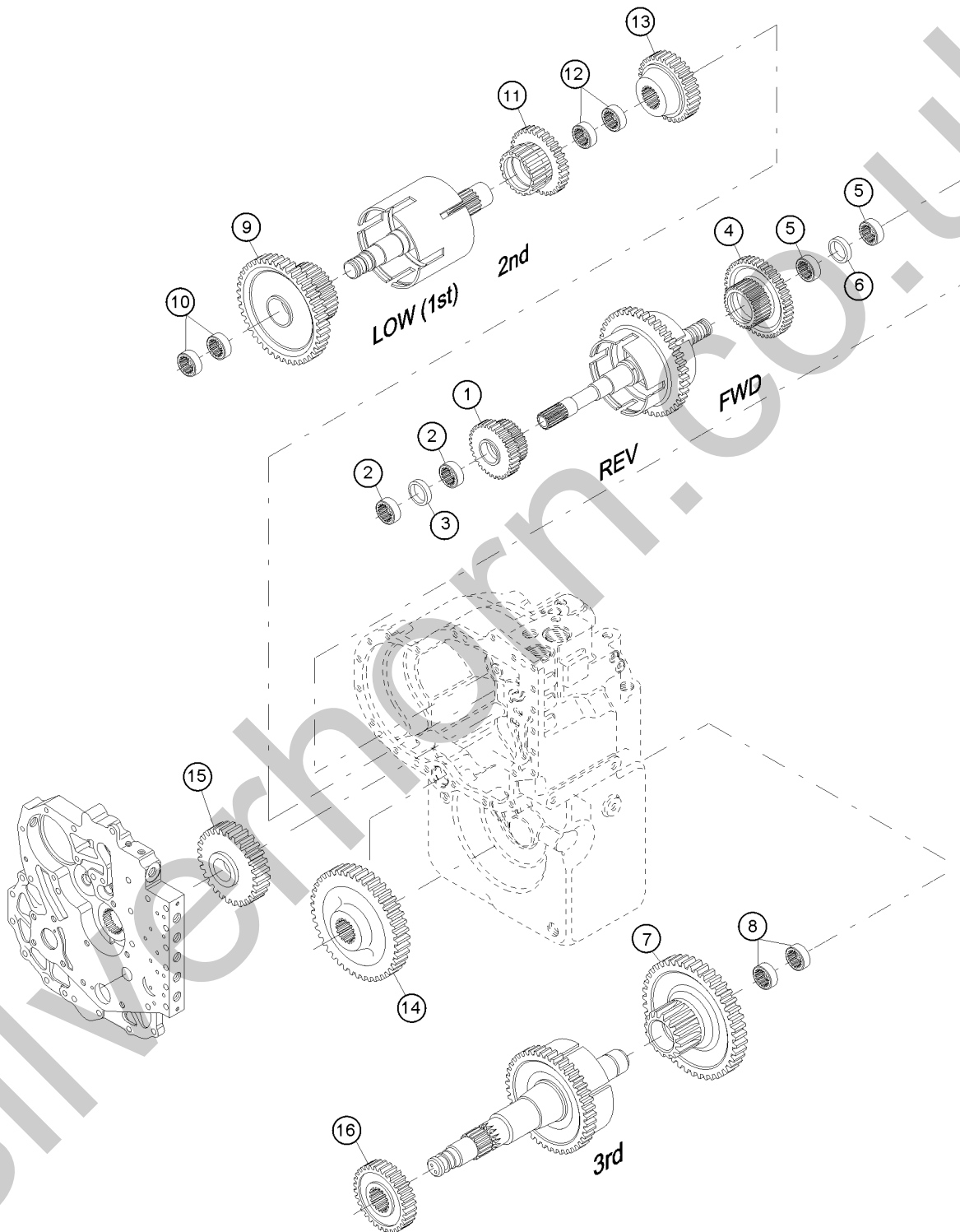
303.1 Torque Converter



303.1 Torque Converter

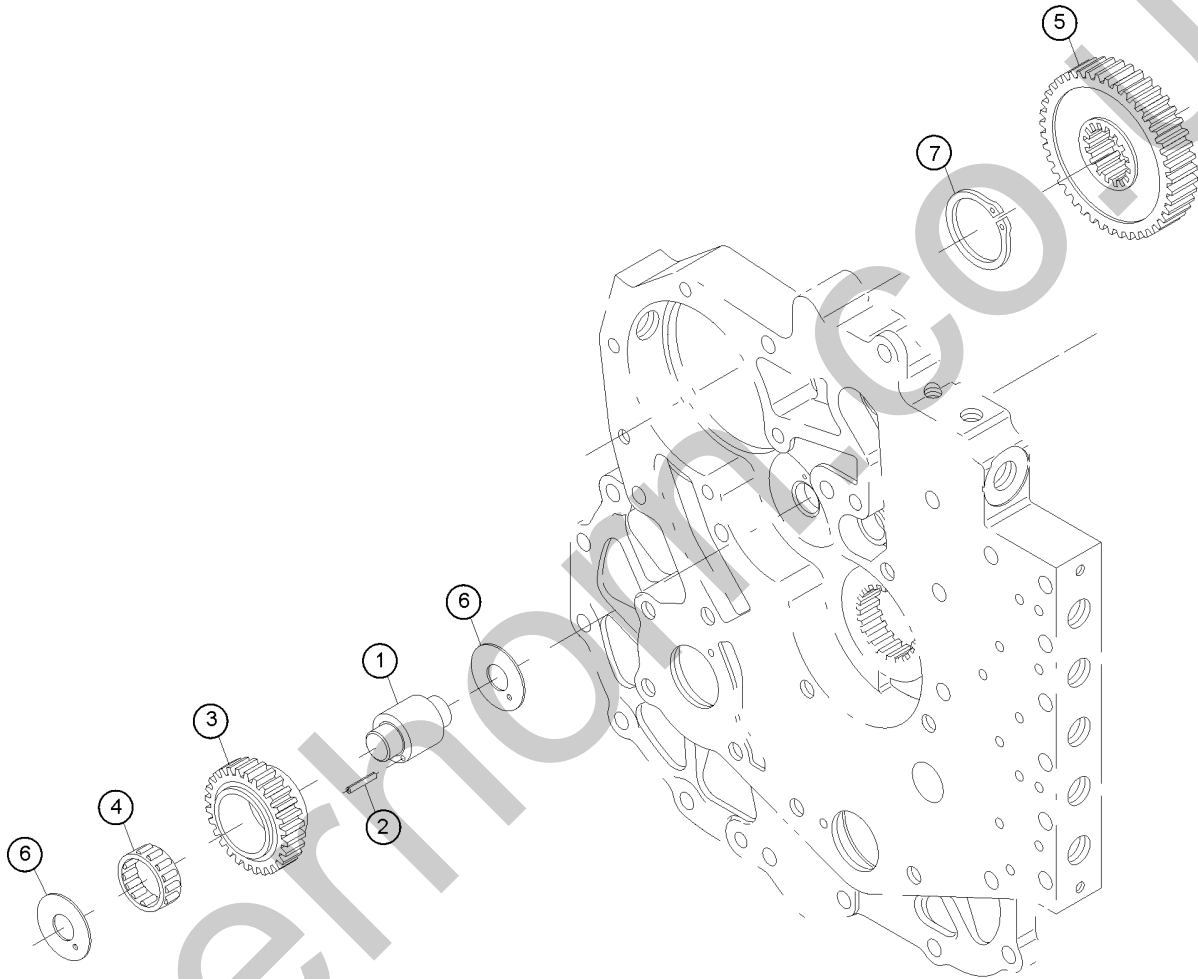
Item	Part No.	Description	Qty.
1	7-126-411GT	SHAFT, TORQUE CONVERTER, GTH	1
2	7-126-412GT	BUSHING	1
3	7-126-413GT	BEARING / NEEDLE	1
4	7-126-414GT	RING	1
5	7-126-415GT	EXPANDER	1
6	7-126-416GT	SNAP RING	2
7	220092GT	SEAL	1
8	1255739GT	CONVERTER	1
9	7-126-234GT	PLUG	1
10	220093GT	O RING	1
11	7-126-277GT	RETAINING RING	1
12	218493GT	GEAR, IMPELLER HUB, 35T-10P	1
13	7-126-418GT	SNAP RING	2
14	7-126-419GT	THRUST WASHER	1
15	7-126-420GT	BEARING	1
16	7-126-421GT	RING-OIL DISTRIBUTOR	1

304.1 Gear Assembly



Item	Part No.	Description	Qty.
1	220094GT	GEAR	1
2	7-126-423GT	BEARING	2
3	7-126-424GT	SPACER	1
4	220095GT	GEAR	1
5	7-126-423GT	BEARING	2
6	7-126-424GT	SPACER	1
7	220096GT	GEAR	1
8	7-126-429GT	BEARING	2
9	220097GT	GEAR	1
10	7-126-423GT	BEARING	2
11	220098GT	GEAR	1
12	7-126-423GT	BEARING	2
13	220099GT	GEAR	1
14	7-126-428GT	GEAR WITH BEARING	1
15	7-126-431GT	REVERSE IDLER GEAR	1
16	220100GT	GEAR	1

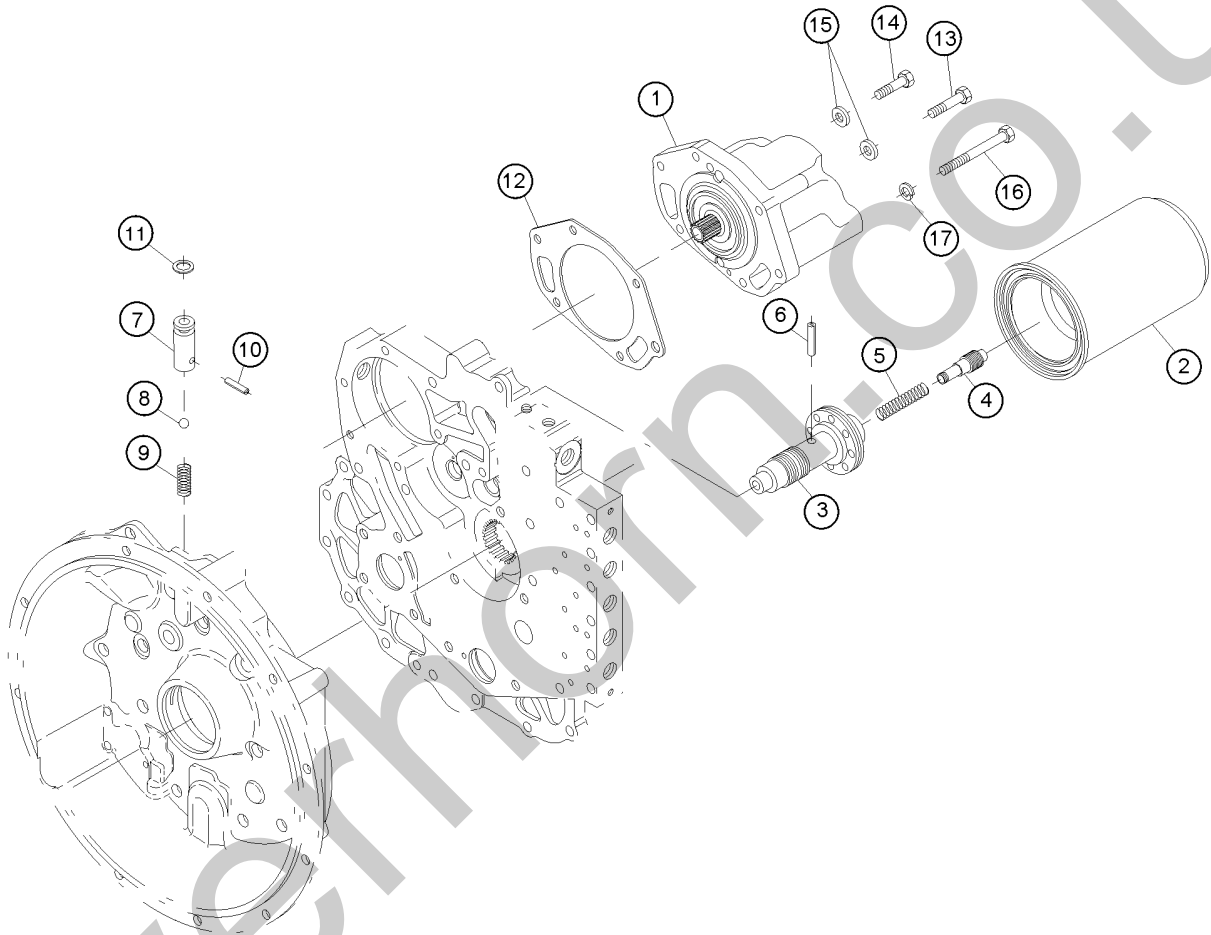
305.1 Pump Drive Assembly



305.1 Pump Drive Assembly

Item	Part No.	Description	Qty.
1	7-126-438GT	PUMP DRIVESHAFT & PIN ASSMBLY	1
2	7-126-439GT	ROLL PIN	1
3	7-126-434GT	PUMP DRIVE IDLER GEAR	1
4	7-126-435GT	BEARING	1
5	7-126-417GT	GEAR	1
6	7-126-437GT	WASHER	2
7	220080GT	SNAP RING	1

306.1 Charge Pump Assembly

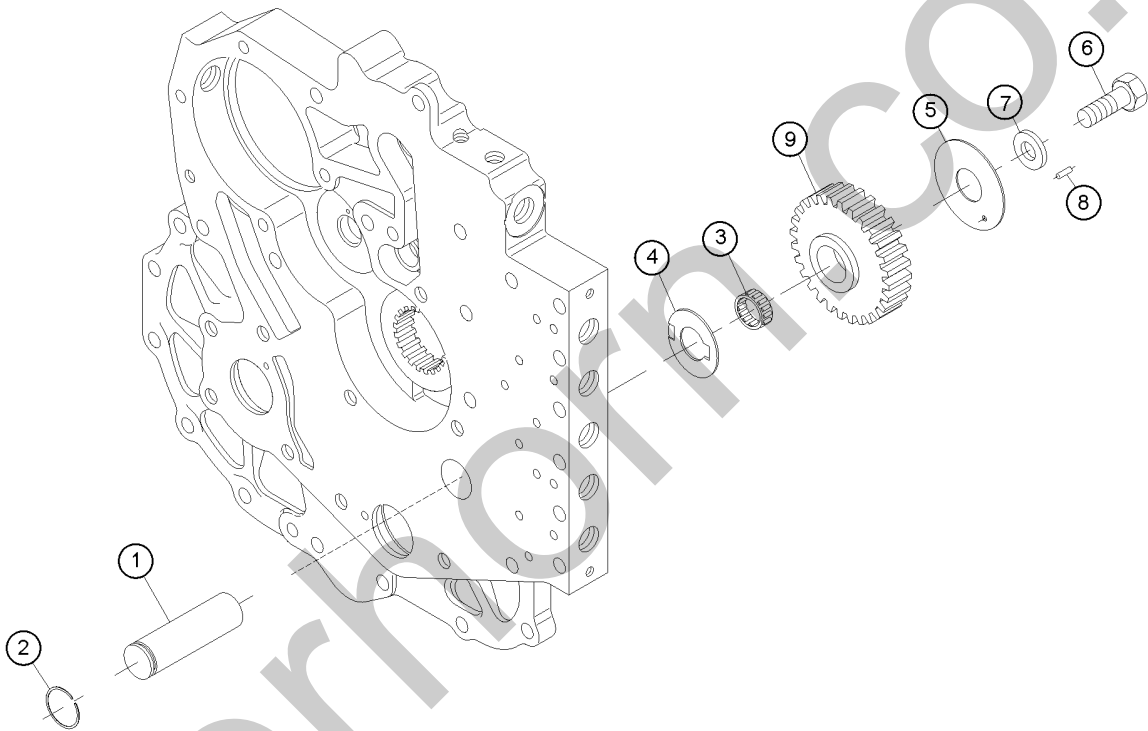


306.1 Charge Pump Assembly

Item	Part No.	Description	Qty.
1	7-126-350GT	CHARGE PUMP ASSY	1
1-	7-126-684GT	SEAL KIT, CHARGE PUMP	
1-	138077GT	PUMP SEAL, MICKEY MOUSE	
2	7-126-349GT	TRANSMISSION OIL FILTER	1
3	7-126-442GT	REGULATOR VALVE SLEEVE	1
4	7-126-443GT	PISTON	1
5	7-126-444GT	SPRING	1
6	7-126-445GT	NEEDLE ROLLER	1
7	7-126-446GT	CHECK VALVE	1
8	7-126-208GT	BALL, IDLER SHAFT LOCK	1
9	7-126-448GT	SPRING	1
10	220081GT	PIN	1
11	7-126-361GT	O-RING	1
12	7-126-362GT	GASKET / ADAPTER to PLATE	1
13	220166GT	BOLT	4
14	220167GT	BOLT	1
15	220082GT	SNAP RING	5
16	220168GT	BOLT	1
17	7-126-391GT	LOCKWASHER	1

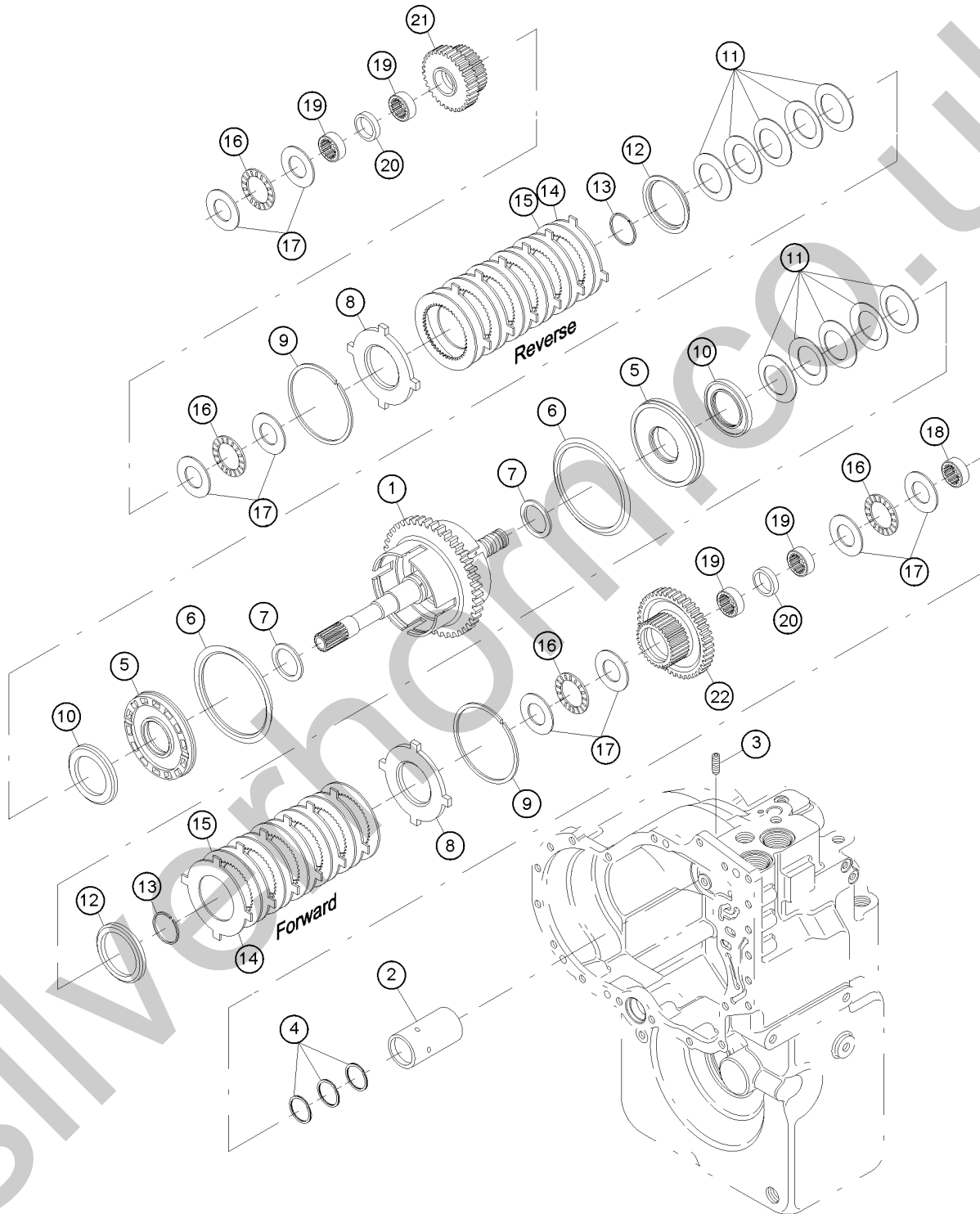


307.1 Reverse Idler



Item	Part No.	Description	Qty.
1	220161GT	RELEASE SHAFT	1
2	7-126-458GT	SNAP RING	1
3	7-126-459GT	BEARING	1
4	7-126-460GT	THRUST WASHER	1
5	7-126-461GT	END PLATE	1
6	220078GT	BOLT	1
7	220079GT	WASHER	1
8	7-126-464GT	PIN	1
9	7-126-431GT	REVERSE IDLER GEAR	1

308.1 Forward and Reverse Shaft



Item	Part No.	Description	Qty.
1	220084GT	SHAFT	1
2	7-126-466GT	OIL DISTRIBUTOR SLEEVE	1
3	220085GT	PLUG	1
4	7-126-468GT	PISTON RING	3
5	7-126-469GT	PISTON & SEAL ASSEMBLY	2
6		
7		
8	7-126-472GT	PLATE	2
9	7-126-473GT	SNAP RING	2
10	7-126-474GT	WEAR RING	2
11	7-126-475GT	DISC SPRING ASSEMBLY	2
12	7-126-476GT	RETAINER	2
13	7-126-477GT	RETAINER	2
14	7-126-478GT	OUTER DISC, FIRST	12
15	7-126-479GT	DISC	12
16	7-126-480GT	BEARING	4
17	7-126-481GT	WASHER	8
18	7-126-482GT	BEARING	1

309.1 Third Gear Shaft

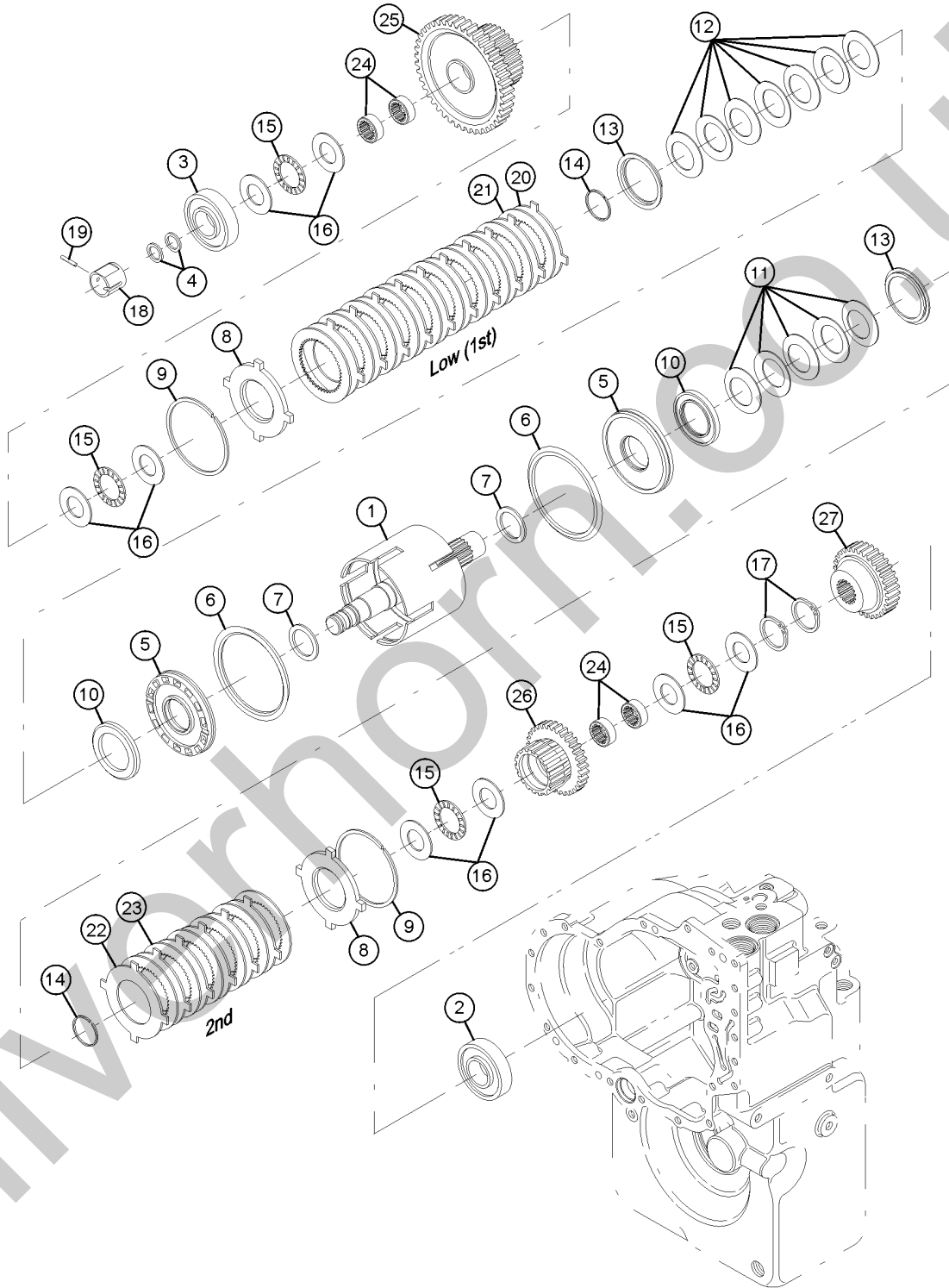


Item	Part No.	Description	Qty.
1	220101GT	SHAFT	1
2	7-126-484GT	ROLLER BEARING	1
3	7-126-485GT	BEARING	1
4	7-126-486GT	WASHER	1
5	7-126-487GT	SLEEVE	1
6	220188GT	PLUG	1
7	7-126-468GT	PISTON RING	2
8	7-126-489GT	PISTON	1
9		
10		
11	7-126-478GT	OUTER DISC, FIRST	5
12	7-126-479GT	DISC	5
13	7-126-472GT	PLATE	1
14	7-126-473GT	SNAP RING	1
15	7-126-474GT	WEAR RING	1
16	7-126-475GT	DISC SPRING ASSEMBLY	1
17	7-126-476GT	RETAINER	1
18	7-126-477GT	RETAINER	1
19	7-126-490GT	BEARING	2
20	7-126-491GT	WASHER	4
21	7-126-492GT	SNAP RING	3

Silverhorn

CO.UK

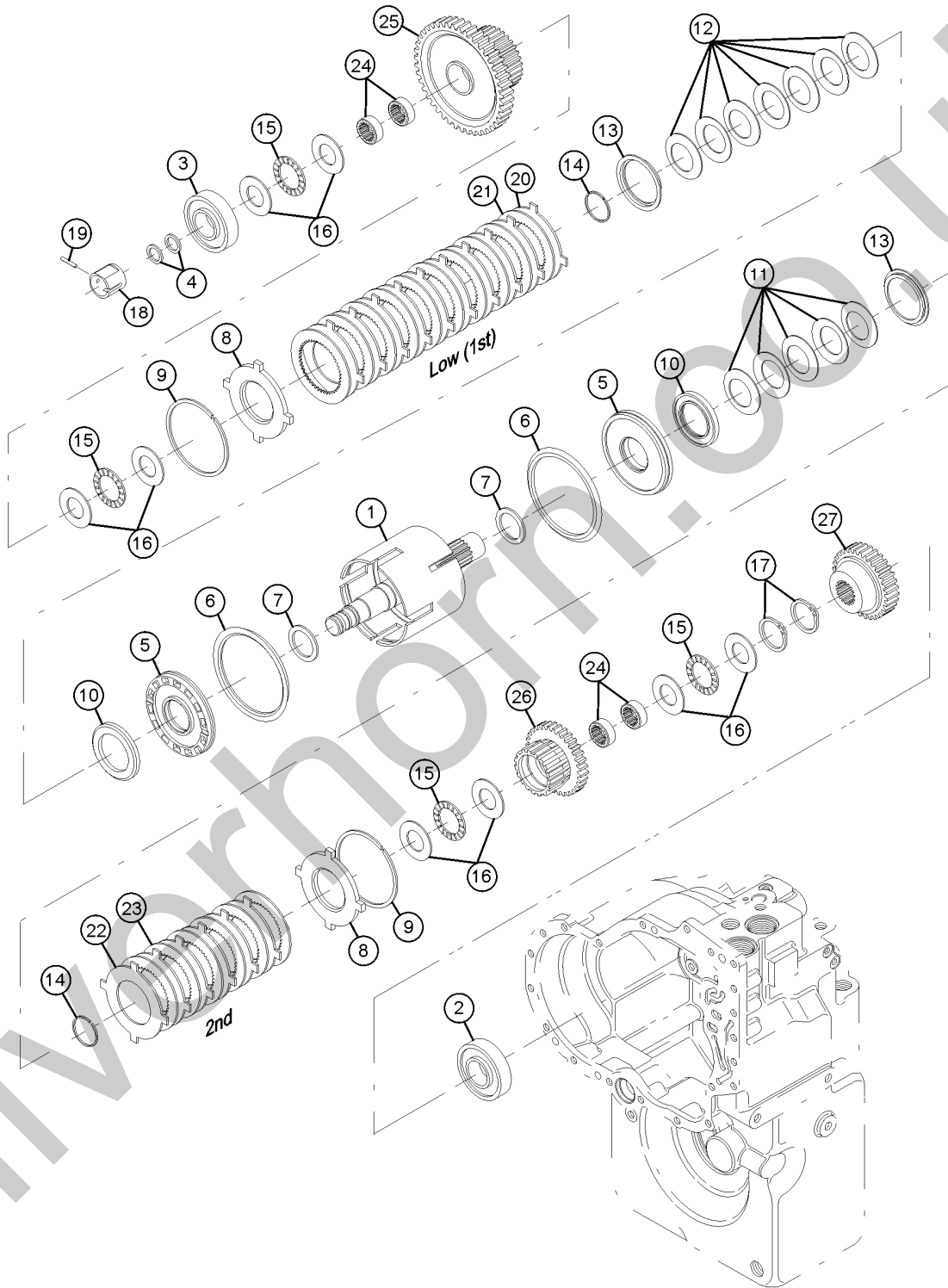
310.1 First and Second Gear Shaft



310.1 First and Second Gear Shaft

Item	Part No.	Description	Qty.
1	220089GT	SHAFT	1
2	220185GT	BALL BEARING	1
3	7-126-485GT	BEARING	1
4	7-126-468GT	PISTON RING	2
5	7-126-495GT	A CLU PISTON	2
6	7-126-470GT	SEAL	1
7	7-126-471GT	SEAL	2
8	7-126-472GT	PLATE	2
9	7-126-473GT	SNAP RING	2
10	7-126-474GT	WEAR RING	2
11	7-126-475GT	DISC SPRING ASSEMBLY	1
12	7-126-496GT	DISC SPRING ASSY.	1
13	7-126-476GT	RETAINER	2
14	7-126-477GT	RETAINER	2
15	7-126-480GT	BEARING	4
16	7-126-481GT	WASHER	8
17	7-126-497GT	SNAP RING	2
18	7-126-498GT	SLEEVE	1
19	7-126-381GT	SOLENOID BORE PLUG	1
20	7-126-478GT	OUTER DISC, FIRST	15
21	7-126-479GT	DISC	15
22		
23		
24		
25		
26		
27		
28	220186GT	DETENT BALL	2

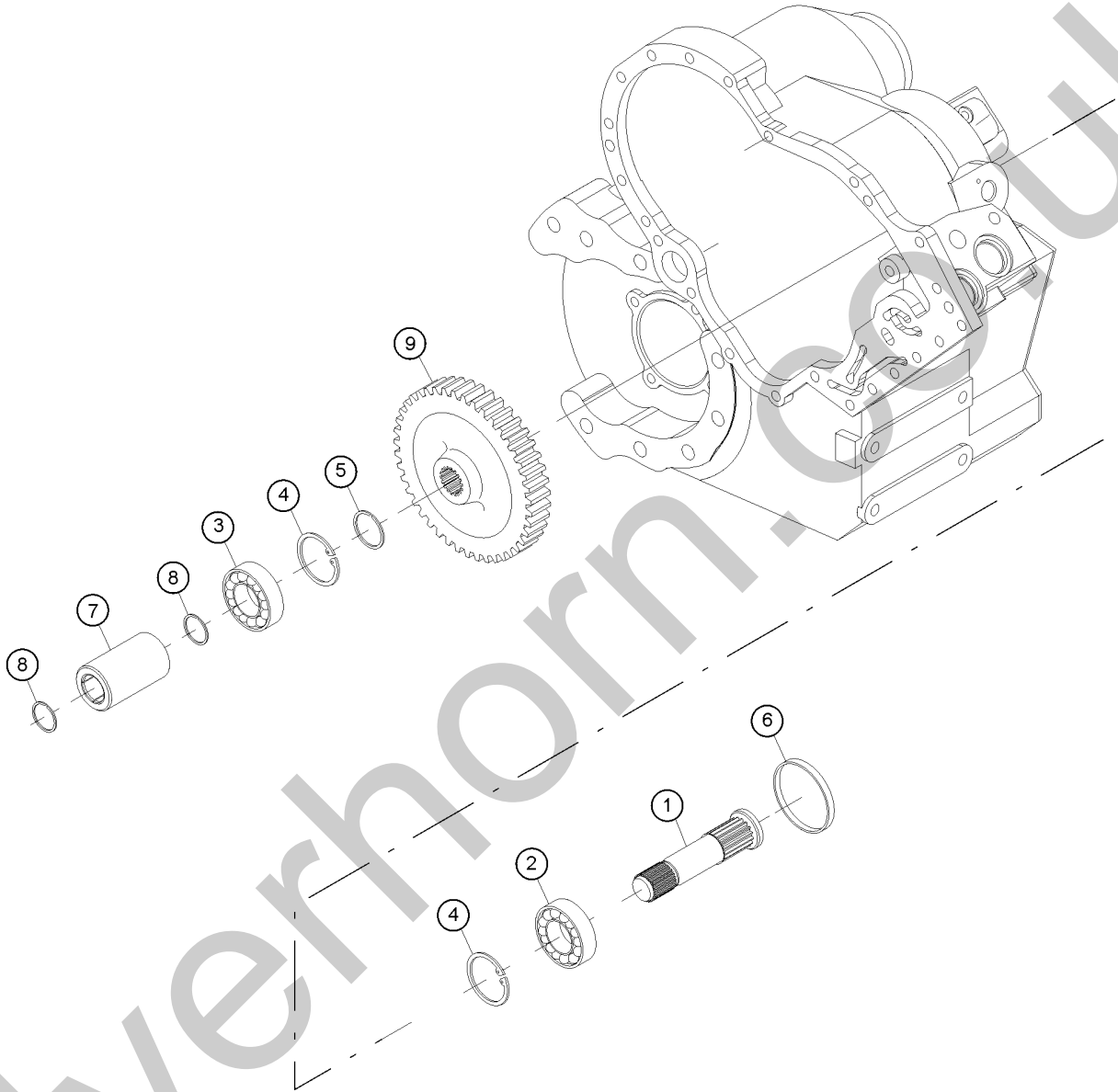
310.1 First and Second Gear Shaft



<i>Item</i>	<i>Part No.</i>	<i>Description</i>	<i>Qty.</i>
29	220090GT	VALVE	2

Silverhorn.CO.UK

311.1 Output Shaft

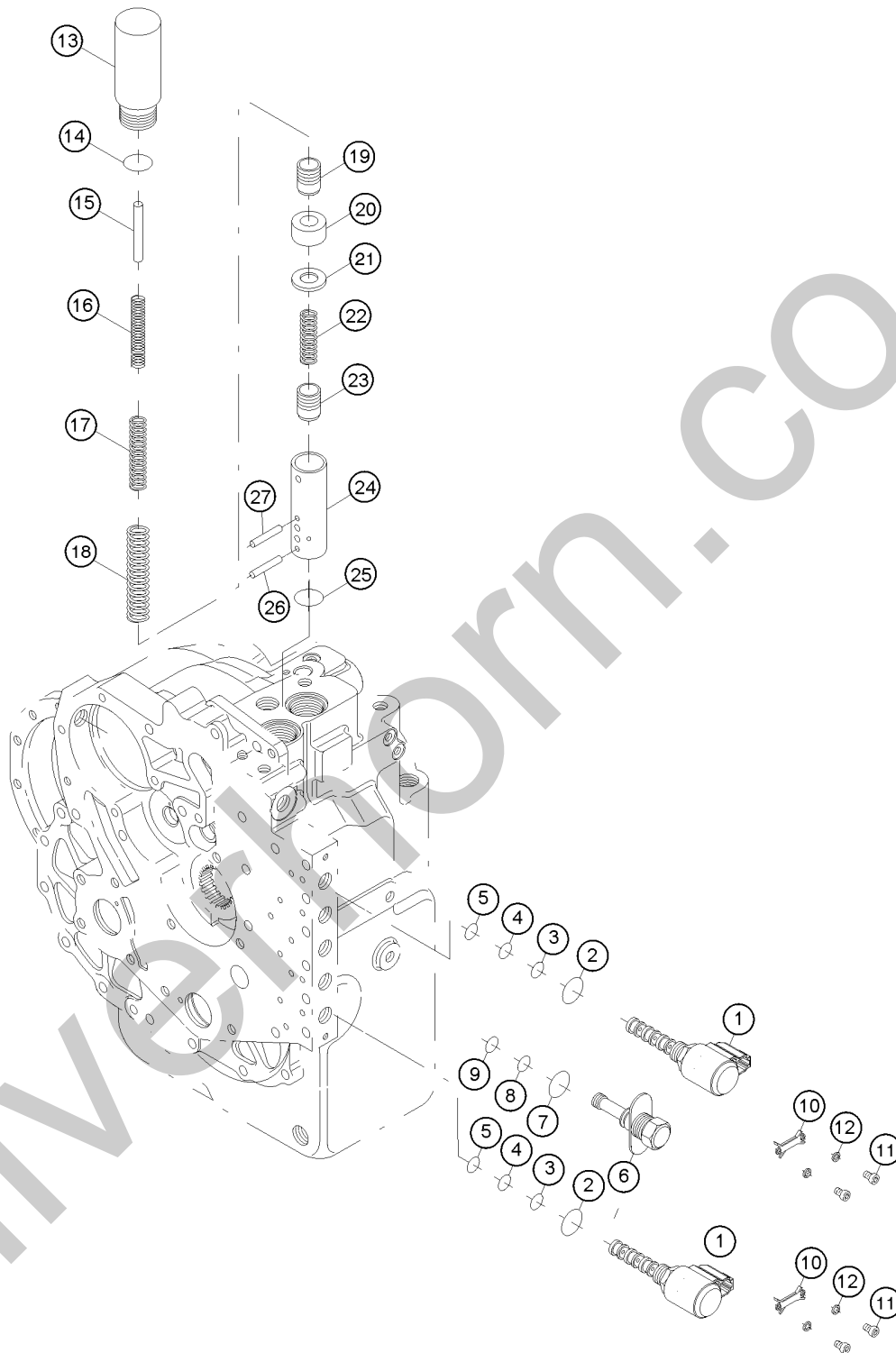


311.1 Output Shaft

Item	Part No.	Description	Qty.
1	220086GT	SHAFT	1
2	7-126-307GT	BEARING,BALL	1
3	220184GT	BEARING	1
4	7-126-365GT	SNAP RING / OUTPUT FLANGE	1
5	7-126-369GT	FLANGE RETAINING RING	1
6	220087GT	PLUG	1
7	220088GT	REDUCTION BUSHING	1
8	7-126-492GT	SNAP RING	2

Silverhorn.CO.UK

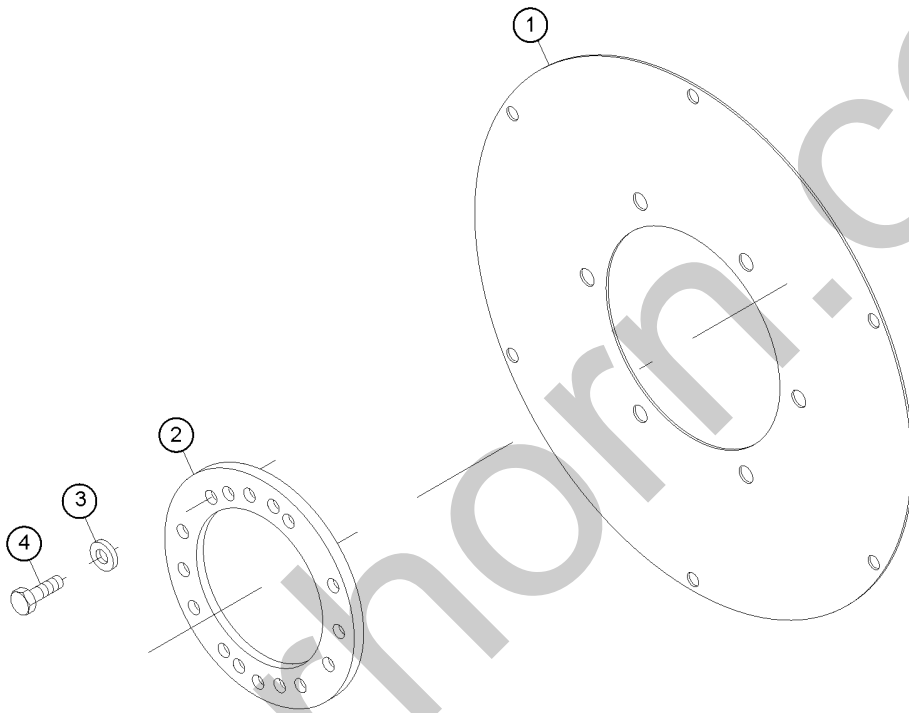
312.1 Control and Modulation Valves



312.1 Control and Modulation Valves

Item	Part No.	Description	Qty.
1	7-126-768GT	SOLENOID ASSY/DROP IN	4
1-	227493GT	HARNES, TRANSMISSION	
2		
3		
4		
5		
6	7-126-777GT	PLUG-SOLENOID BORE	1
7		
8		
9		
10	7-126-779GT	CLAMP - SOLENOIDS	6
11	220118GT	BOLT	12
12		
13	220119GT	COVER	2
14	7-126-371GT	O-RING / MODULATOR HOUSING	2
15	130071GT	PIN,ACCUM STOP,T20000 TRAN	2
16	130070GT	SPRING,ACCUM,INNER,T20000 TRAN	2
17	7-126-506GT	SPRING,MIDDLE	2
18	7-126-507GT	SPRING,OUTER	2
19	220120GT	FLOW REGULATOR	2
20	220121GT	SNAP RING	2
21	220122GT	SPACER	2
22	220123GT	SPRING	2
23	220189GT	FLOW REGULATOR	2
24	220124GT	SLEEVE	2
25	220125GT	O RING	2
26	220126GT	DOWEL	2
27	220127GT	DOWEL	2

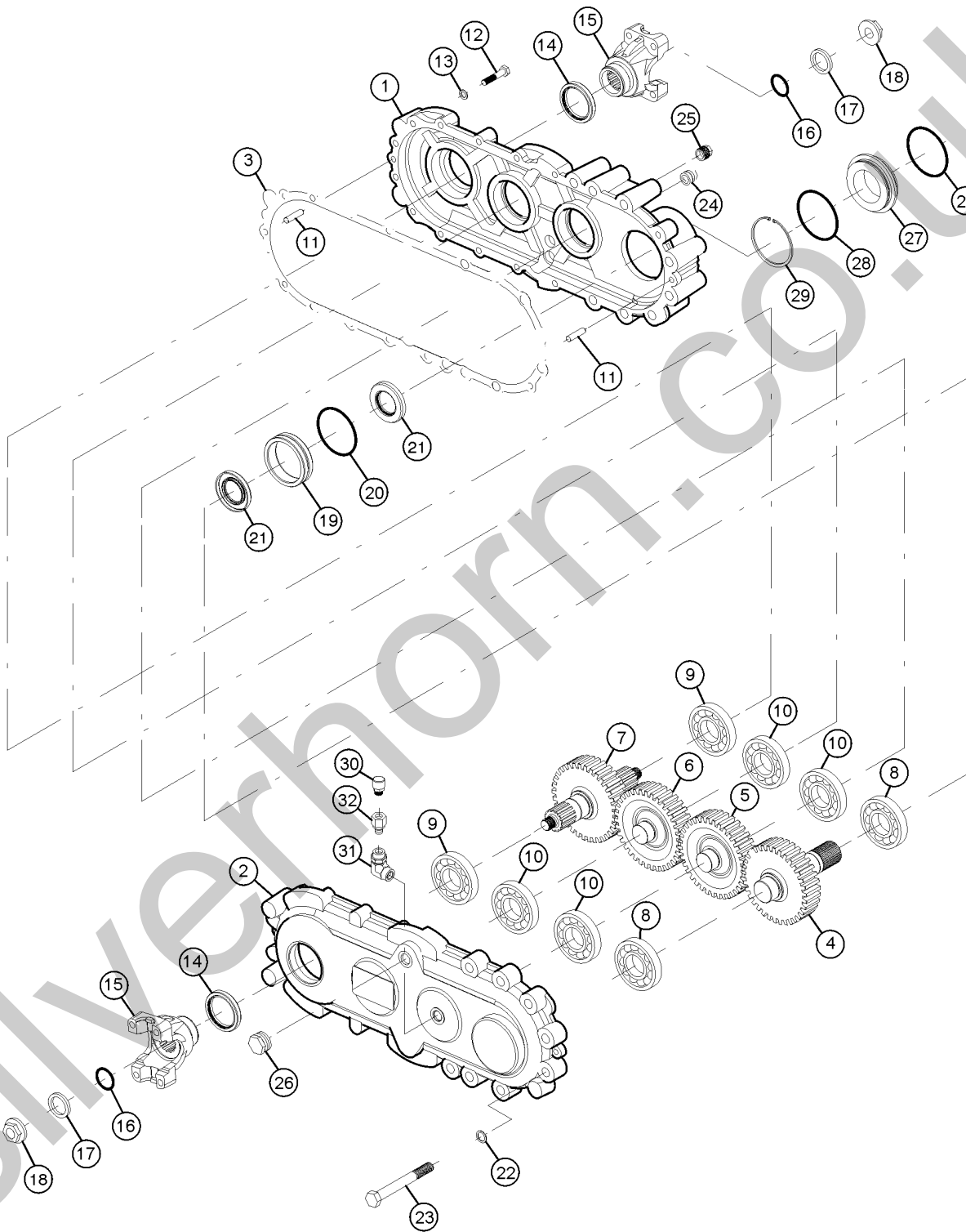
313.1 Flex Plate



<i>Item</i>	<i>Part No.</i>	<i>Description</i>	<i>Qty.</i>
1	1263050GT	ASSEMBLY KIT,FLEXPLATE,DEUTZ	1
2	7-126-60GT	RING	1
3	7-126-54GT	WASHER,LOCK,SPLIT,3/8	6
4	7-126-516GT	SCREW,HHC,3/8-16X.625,GR5	6

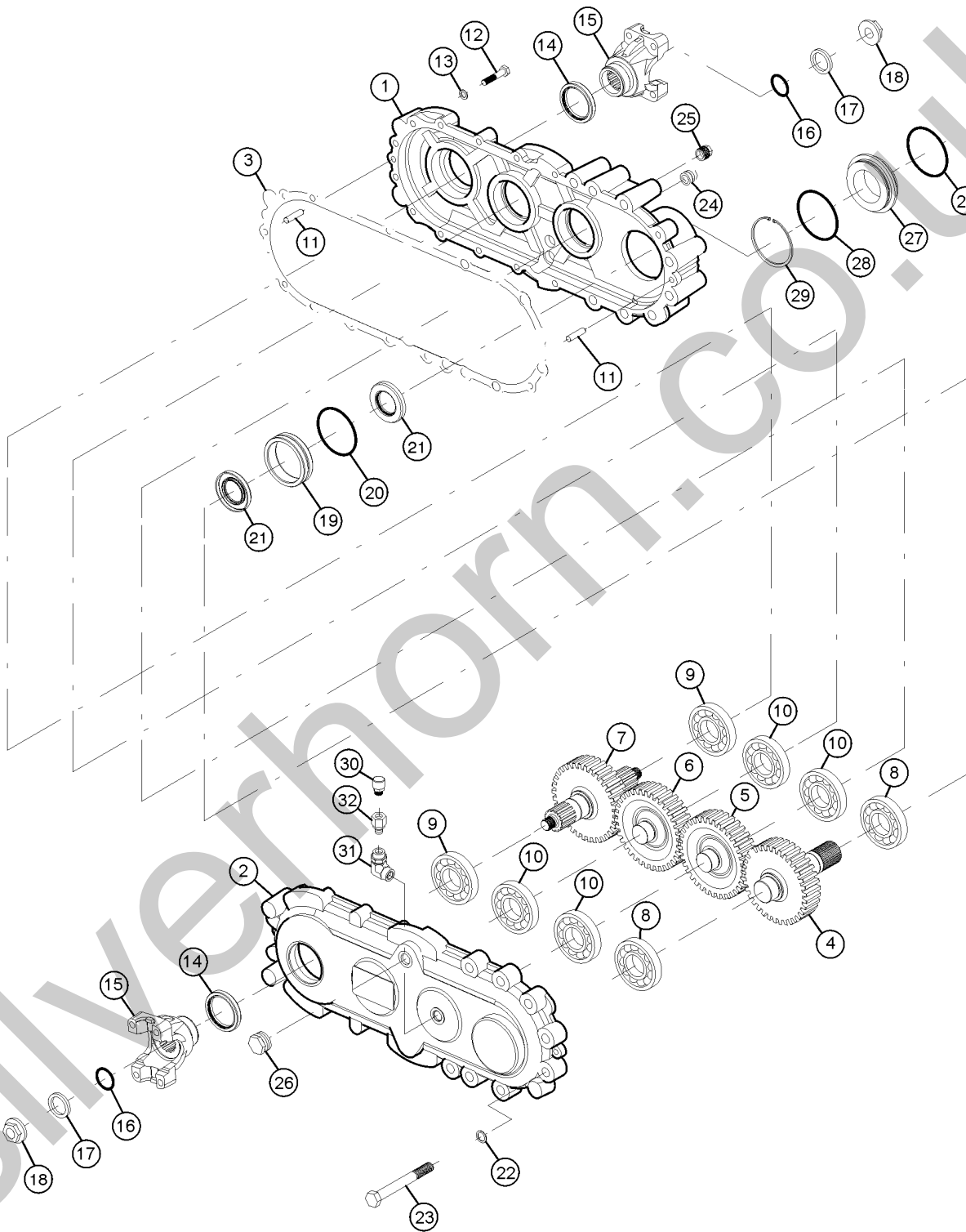
Silverhorn.co.uk

314.1 Transfer Case (drop box)



Item	Part No.	Description	Qty.
1	220136GT	COVER	1
2	220137GT	COVER	1
3	220138GT	GASKET	1
4	220139GT	SHAFT	1
5	220140GT	GEAR	1
6	220141GT	GEAR	1
7	220142GT	SHAFT	1
8	220143GT	BALL BEARING	2
9	220144GT	BALL BEARING	2
10	220145GT	ROLLER BEARING	4
11	220106GT	DOWEL	2
12	220113GT	BOLT	13
13	7-126-391GT	LOCKWASHER	13
14	220130GT	SEAL	2
15	220131GT	FLANGE	2
16	220132GT	O RING	2
17	220133GT	LOCK WASHER	2
18	220134GT	NUT	2
19	220135GT	SEAL	2
20	7-126-366GT	O-RING / OIL SEAL	1
21	220146GT	SEAL	2
22	220147GT	WASHER	8
23	220148GT	BOLT	8
24	220149GT	PLUG	1
25	1259111GT	OIL LEVEL GLASS	1
26	7-229-768GT	PLUG	1
27	1259113GT	SLEEVE	1
28	220154GT	O RING	2

314.1 Transfer Case (drop box)

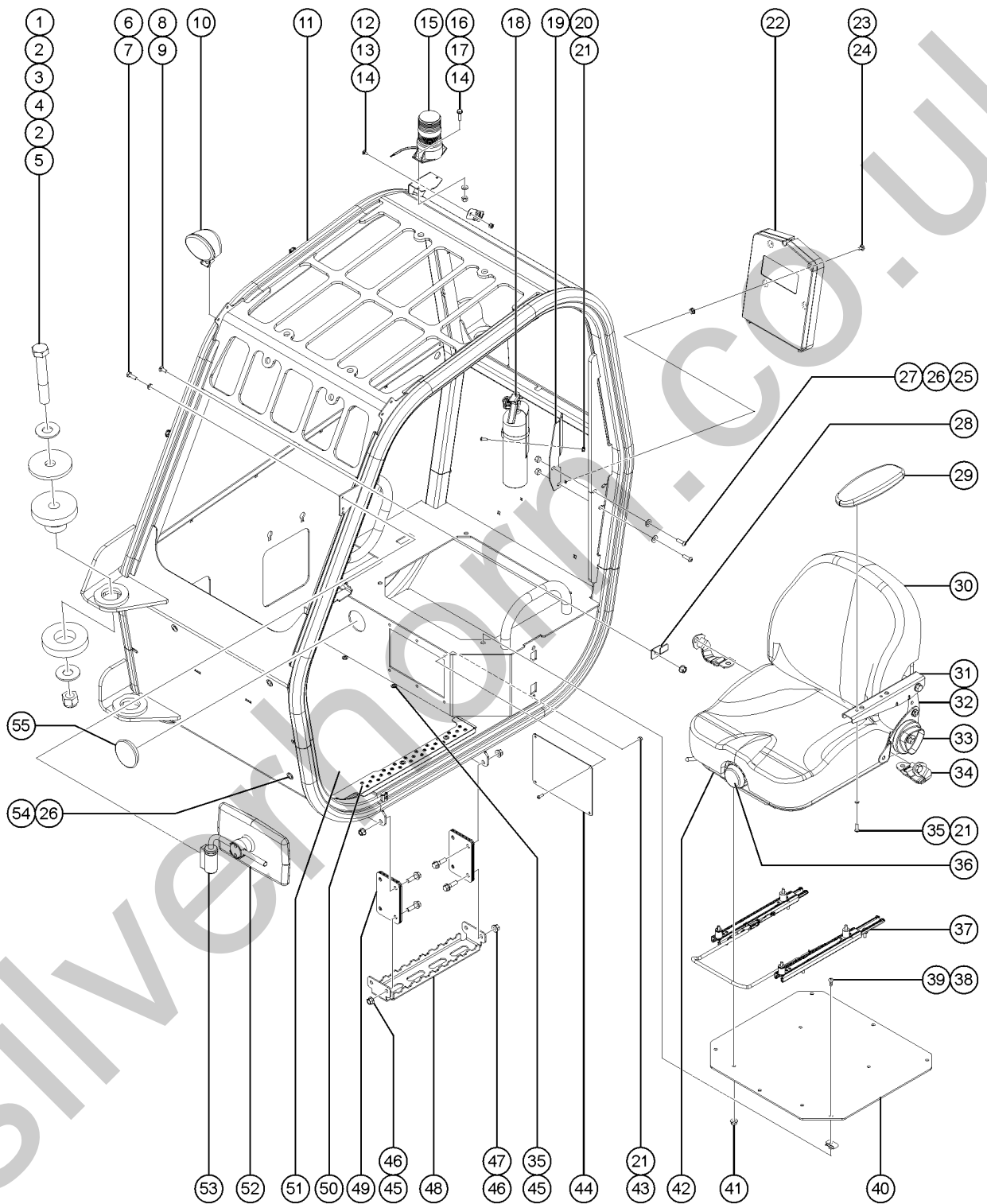


314.1 Transfer Case (drop box)

<i>Item</i>	<i>Part No.</i>	<i>Description</i>	<i>Qty.</i>
29	7-126-365GT	SNAP RING / OUTPUT FLANGE	1
30	220155GT	VENT	1

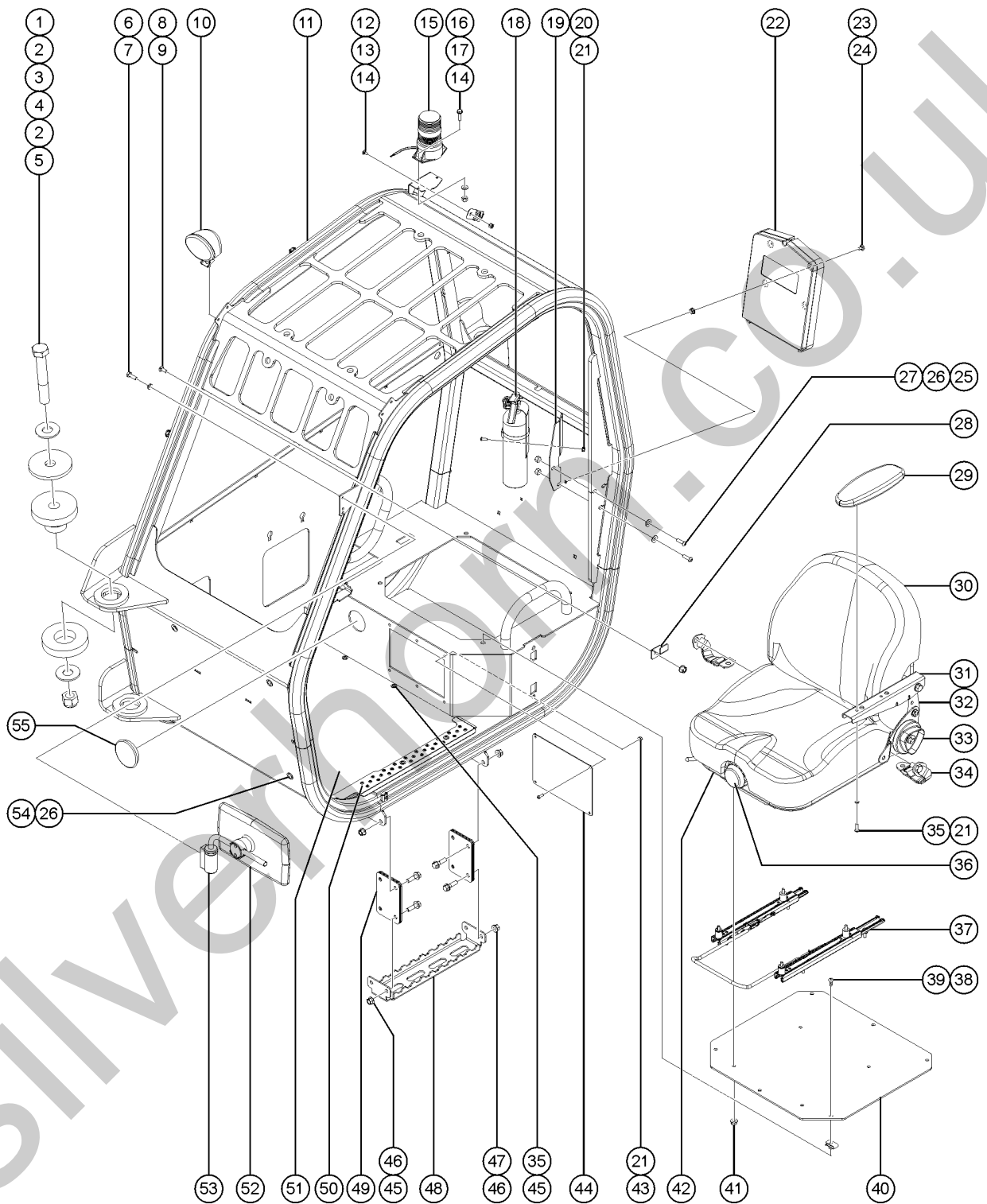
Silverhorn.CO.UK

401.1 Standard Cab Components, View 1



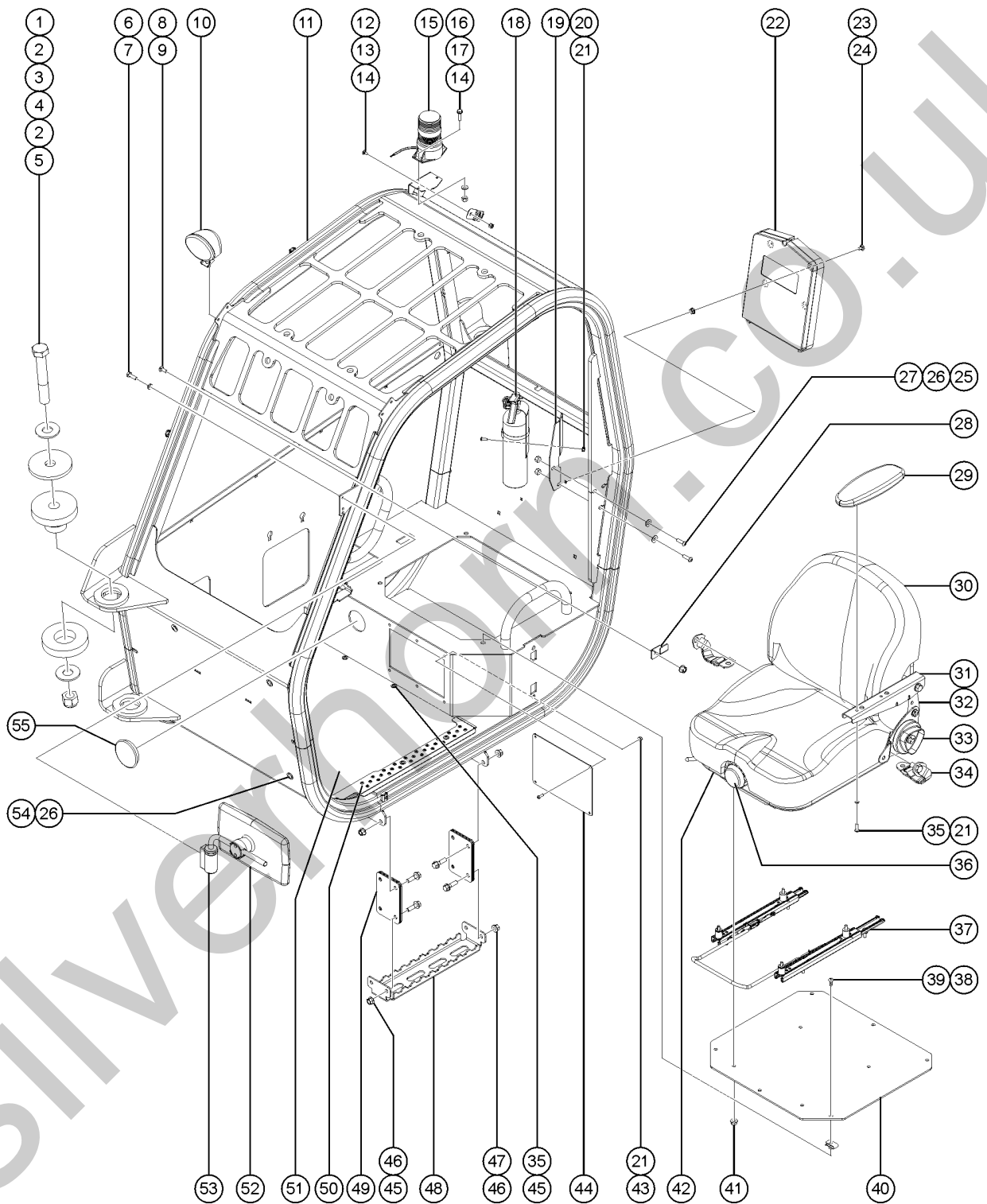
Item	Part No.	Description	Qty.
A	1288309GT	6K/8K CYLINDER CHOCK ASSMEBLY includes mounting fasteners	1
B	1289561GT	BRACKET, TELEMATICS	
B	1289520GT	MODULE,TELEMATICS,ZTR,M7,NORTH AMERICA	
B	1289521GT	MODULE, TELEMATICS, ZTR, M7, EMEA/APAC	
1	1256466GT	SCREW,HHC,1-8X6.5,8,ZAG	4
2	1256469GT	WASHER,FLAT,1.0,USS,ZAG	8
3	1254034GT	WASHER,RUBBER MOUNT,CAB	4
4	123139GT	ISOLATOR,CAB	4
5	123189GT	NUT,NYLOCK,1-8,GR8	4
6	1256450GT	SCREW,HHC,M6-1.0X20,DIN933,10.9,ZAB	3
7	825355GT	WASHER,FLAT,M6,DIN125,ZAB	3
8	824125GT	BOLT,CARRIAGE,3/8-16X1.5,ZAG	1
9	824029GT	NUT,TL FLG,3/8-16,G,ZAG	1
10		REF. LIGHT,LED,CLEAR,5"ROUND 12/24V refer to 901.1	
11	1281518GT	WELDMENT,CAB	1
12	1256282GT	BOLT,CARRIAGE,10-24X.5,5,ZAG	1
13	229987GT	CLIP,METAL MOUNT RECEP DEUTSCH	1
14	1274170GT	NUT, NYLOCK, 10-24, A, ZAG	3
15	231931GT	STROBE,BEACON, AC COMP 12-80V	1
16	1262031GT	SCREW,HHF,10-24X.75,ZAG	2
17	1253185GT	WASHER,FLAT,#10,USS,ZAG	2
18	88406GT	FIRE EXTINGUISHER	1
19	1254055GT	FORMING,EXTINGUISHER MOUNT	1
20	824027GT	NUT, TL FLG, 1/4-20, G, ZAG to SN GTH06E-13139	2
20B	1277924GT	NUT,NYLOCK FLG,1/4-20,F,ZAG from SN GTH06E-13140	2
21	1278088GT	SCREW,BHC,TORX PLUS, 1/4-20X3/4,F835,ZAG	8
22	24514GT	BOX,INSTRUCTION STORAGE Europe/Asia/South America (decal required; refer to Section100)	1
22B	44743GT	MANUAL BOX W/DECALS*** USA/Canada/Australia	1

401.1 Standard Cab Components, View 1



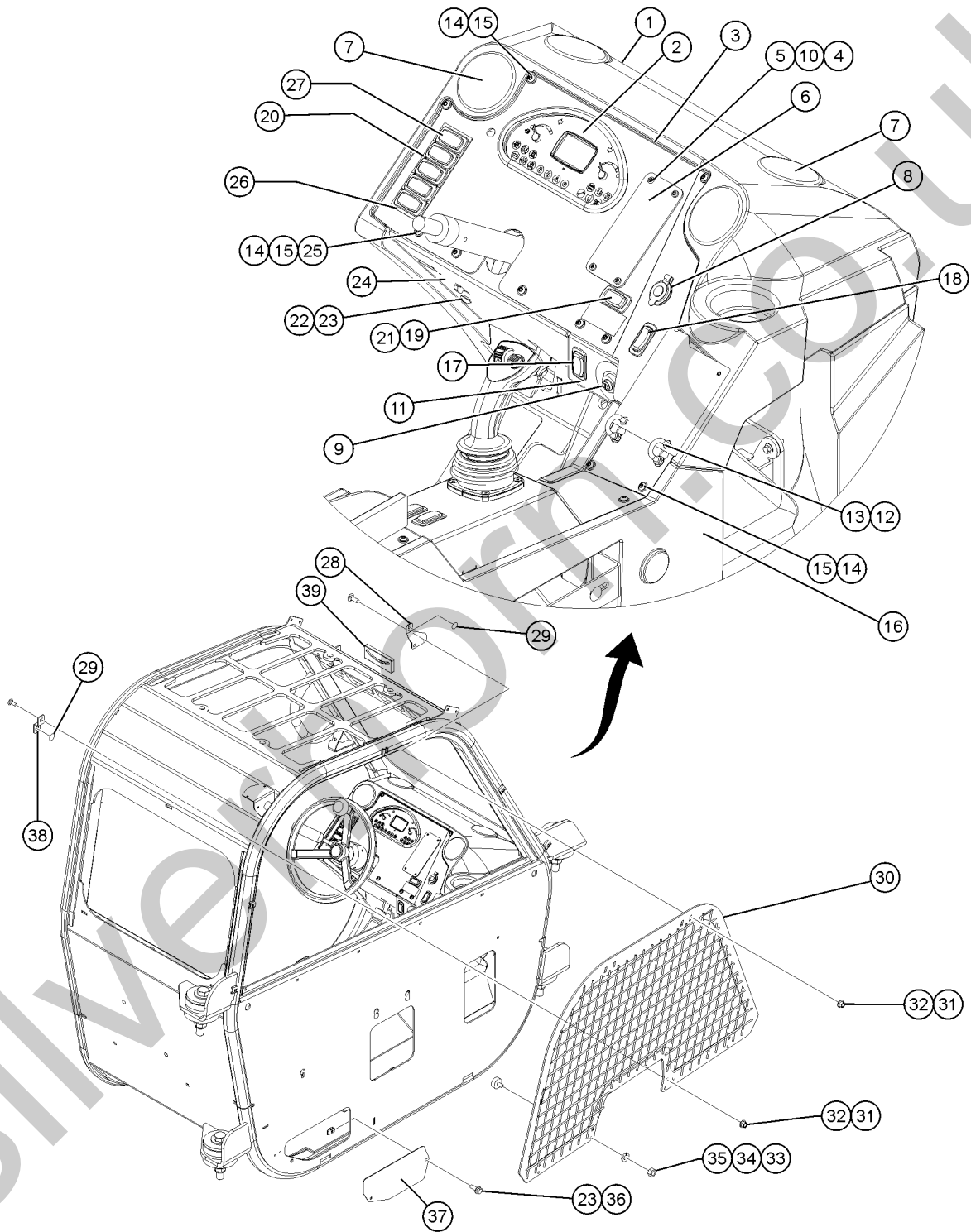
Item	Part No.	Description	Qty.
23	1256462GT	BOLT,CARRIAGE,1/4-20X.5,5,ZAG	2
24	1256679GT	NUT,SERRATED,1/4-20,8,ZAG	2
25	1255629GT	SCREW,BHC,3/8-16X1.25,F835,ZAG	2
26	1255758GT	WASHER,FLAT,3/8,USS,ZAG	5
27	824038GT	NUT, TL JAM, 3/8-16, A, ZAG to SN GTH06E-13139	2
27B	1274322GT	NUT,NYLOCK FLG,3/8-16,F,ZAG from SN GTH06E-13140	2
28	1253961GT	FORMING,SIDE CONSOLE MOUNT	1
29	229304GT	PAD, ARMREST	1
30	1292807GT	SEAT ASSY, SUSPENSION, RECLINE (replaced 1276678 at SN GTH06E-12579) (the only difference is an all red seatbelt)	
30-	1253474GT	COVER, SEAT BASE, SUSPENSION	1
30-	1253475GT	COVER, SEAT BACK, SUSPENSION	1
30-	1263778GT	SEAT, SUSPENSION, RECLINE	
30-	1289660GT	SEAT BELT ASSY,3",RED,LOW PROFILE	
31	1263776GT	ARMREST, LH	1
32	1263778GT	SEAT, SUSPENSION, RECLINE	1
33	1263775GT	RECLINER KNOB KIT, SEAT	1
34	1263774GT	CABLE TETHER KIT, SEAT	1
35	824113GT	WASHER,FLAT,USS,1/4,ZAG	9
36	1263770GT	KNOB ASSEMBLY, WEIGHT ADJ.	1
37	1263771GT	TRACK ASSY, SEAT ADJUST	1
38	1255393GT	SCREW,BHC,3/8-16X1,F835,ZAG	4
39	29868GT	SPRING CLIP,3/8-16,.05-.20X.73,ZAG	4
40	1254148GT	PLATE,SEAT MOUNT	1
41	237832GT	NUT,TL FLG,M8-1.25,DIN6927,10,ZAB	4
42	1263772GT	BELLOWS W/HARDWARE	1
43	824027GT	NUT, TL FLG, 1/4-20, G, ZAG	4
44	1253981GT	COVER,CAB AIR INTAKE	1
45	824227GT	SCREW, BHC, 1/4-20 X 1, ZAG	7

401.1 Standard Cab Components, View 1



Item	Part No.	Description	Qty.
46	1251997GT	NUT,TL,FLG,1/2-13,G,ZAG	8
47	826171GT	SCREW,HHF,1/2-13X1.75,8,ZAG	8
48	1253956GT	FORMING,CAB STEP	1
49	123108GT	STRAP,FLEXIBLE STEP	2
50	1256323GT	FORMING, FLOOR MAT (used in open cab)	1
50B	1254146GT	FORMING, FLOORMAT GUARD (used in closed cab)	1
51	214581GT	FLOORMAT, CAB	1
52	1279208GT	MIRROR, CAB, GTH	1
53	1279209GT	MIRROR ARM, CAB, GTH	1
54	1256472GT	SCREW,BHC,3/8-16X.75,F835,ZAG	3
55	123572GT	HOLE PLUG, 3 IN	1

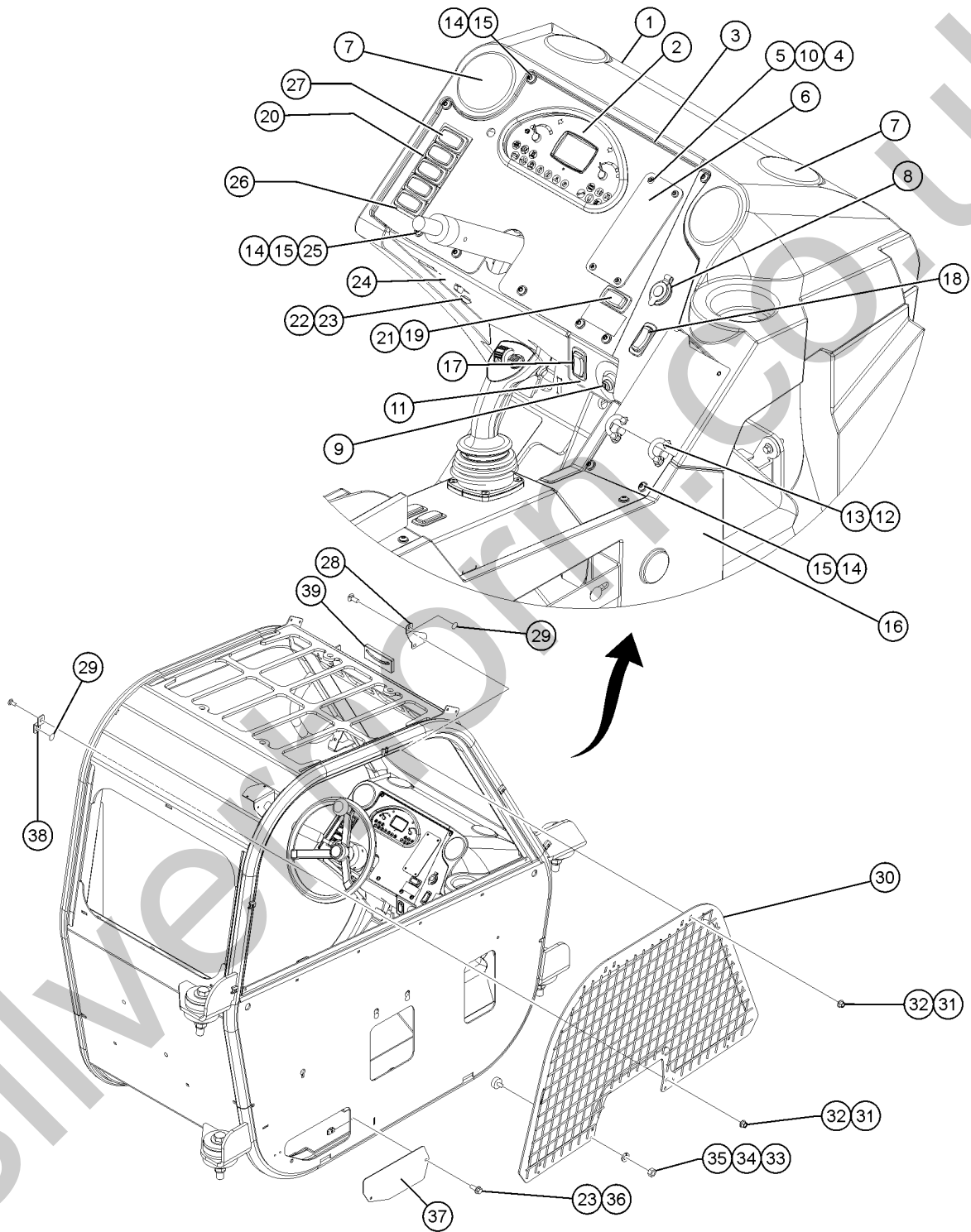
402.1 Standard Cab Components, View 2



Item	Part No.	Description	Qty.
1	1253960GT	COVER,DASH	1
2	1304154GT	GAUGE CLUSTER, CAN ENABLED, GTH, GENII	1
3	1275658GT	FORMING,DASH PANEL	1
		to SN GTH06E-13003	
3B	1289721GT	FORMING,DASH PANEL	1
		from SN GTH06E-13004	
4	1256479GT	SCREW,PHPM,10-24X.50,ZAG	4
		confirm size before ordering	
4B	1278088GT	SCREW,BHC,TORX PLUS, 1/4-20X3/4,F835,ZAG	4
		confirm size before ordering	
5	1256467GT	NUT,TL FLG,10-24,F,ZAG	4
5B	1277924GT	NUT,NYLOCK FLG,1/4-20,F,ZAG	4
6	1253983GT	COVER,CONTROL PANEL	1
7	123572GT	HOLE PLUG, 3 IN	4
8	229978GT	PORT POWER 12V, 10A	1
9	1319762GT	KIT, SWITCH WITH KEYS	1
9-	58322GT	KEY,SET 2 KEYS	
10	18666GT	CLAMP,1.00,#16 X 1/4,RUB CUSH	1
11	1275660GT	FORMING, IGN SWITCH MOUNTING	1
11-	105214GT	CABLE TIE MOUNT, WINGED	1
12	1296102GT	U-BOLT,1/4-20 X .75,1.75 X1.00	2
13	1256679GT	NUT,SERRATED,1/4-20,8,ZAG	8
14	1278088GT	SCREW,BHC,TORX PLUS, 1/4-20X3/4,F835,ZAG	13
15	1256125GT	WASHER,FLAT,#12,SAE,HRD,ZAG	13
16	1253958GT	PLASTIC SIDE	1
17	123200GT	SWITCH, PARKING BRAKE	1
18	1282179GT	SWITCH,DIFFERENTIAL LOCK	1
19	130157GT	CONNECTOR,L-SERIES,SWITCH	1
20	123569GT	CENTER BEZEL	3
21	123201GT	SWITCH,STEER/WIPER	1
22	1255393GT	SCREW,BHC,3/8-16X1,F835,ZAG	2
23	29868GT	SPRING CLIP,3/8-16,.05-.20X.73,ZAG	4



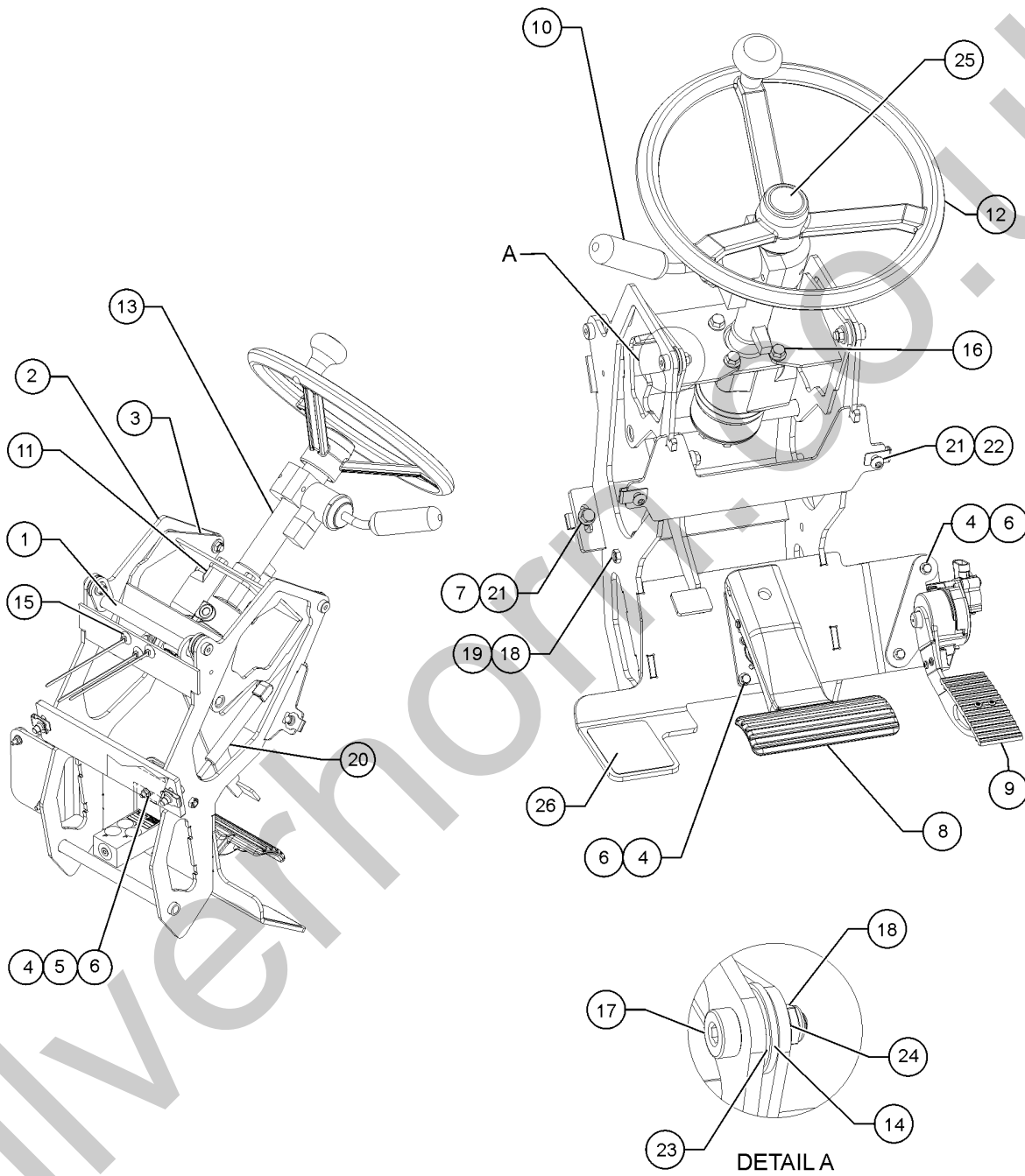
402.1 Standard Cab Components, View 2



Item	Part No.	Description	Qty.
24	1275657GT	FORMING,LOWER DASH	1
25	56912GT	SPRING CLIP,1/4-20,.025-.15X.54,ZAG	7
26	123568GT	END BEZEL	2
27	123567GT	PANEL PLUG	5
28	1254053GT	FORMING,SCREEN MOUNT,TOP	2
29	47478GT	BUMPER, RUBBER, 1"OD X .461H	6
30	1256605GT	WELDMENT,RH SCREEN	1
31	824029GT	NUT,TL FLG,3/8-16,G,ZAG	8
32	824125GT	BOLT,CARRIAGE,3/8-16X1,5,ZAG	8
33	1261250GT	NUT,5/16-18,8,ZAG	4
34	1255764GT	WASHER,LOCK,5/16,ZAG	4
35	79090GT	BUMPER, 1.00 X .375 X 5/16	4
36	824090GT	SCREW,HHF,3/8-16X1,8,ZAG	2
37	1253982GT	COVER,PANEL ACCESS	1
38	1254052GT	FORMING,SCREEN MOUNT,BOTTOM	4
39	123561GT	LEV-O-GAGE INDICATOR	1

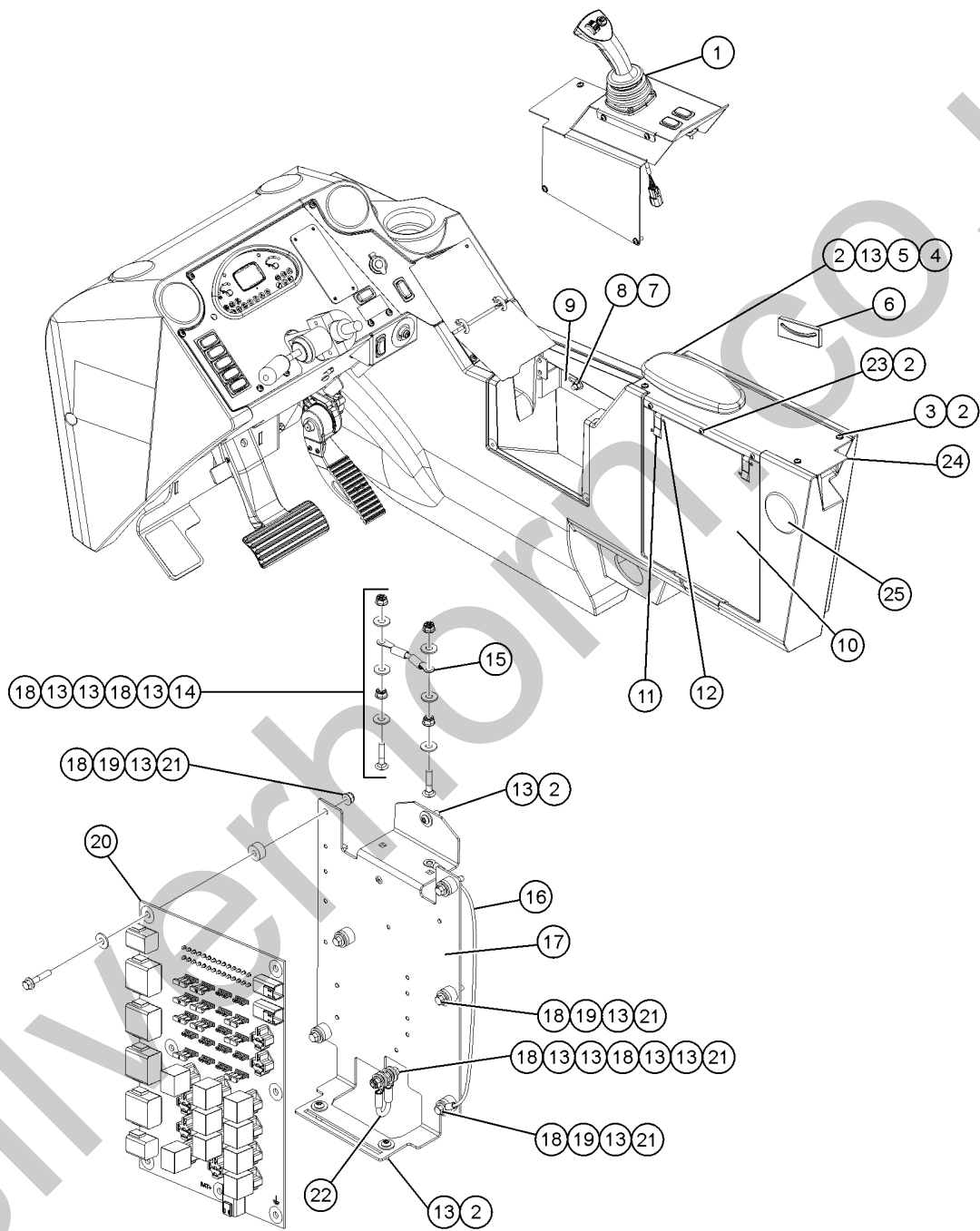
Silverhorn.CO.UK

403.1 Standard Cab Components, View 3



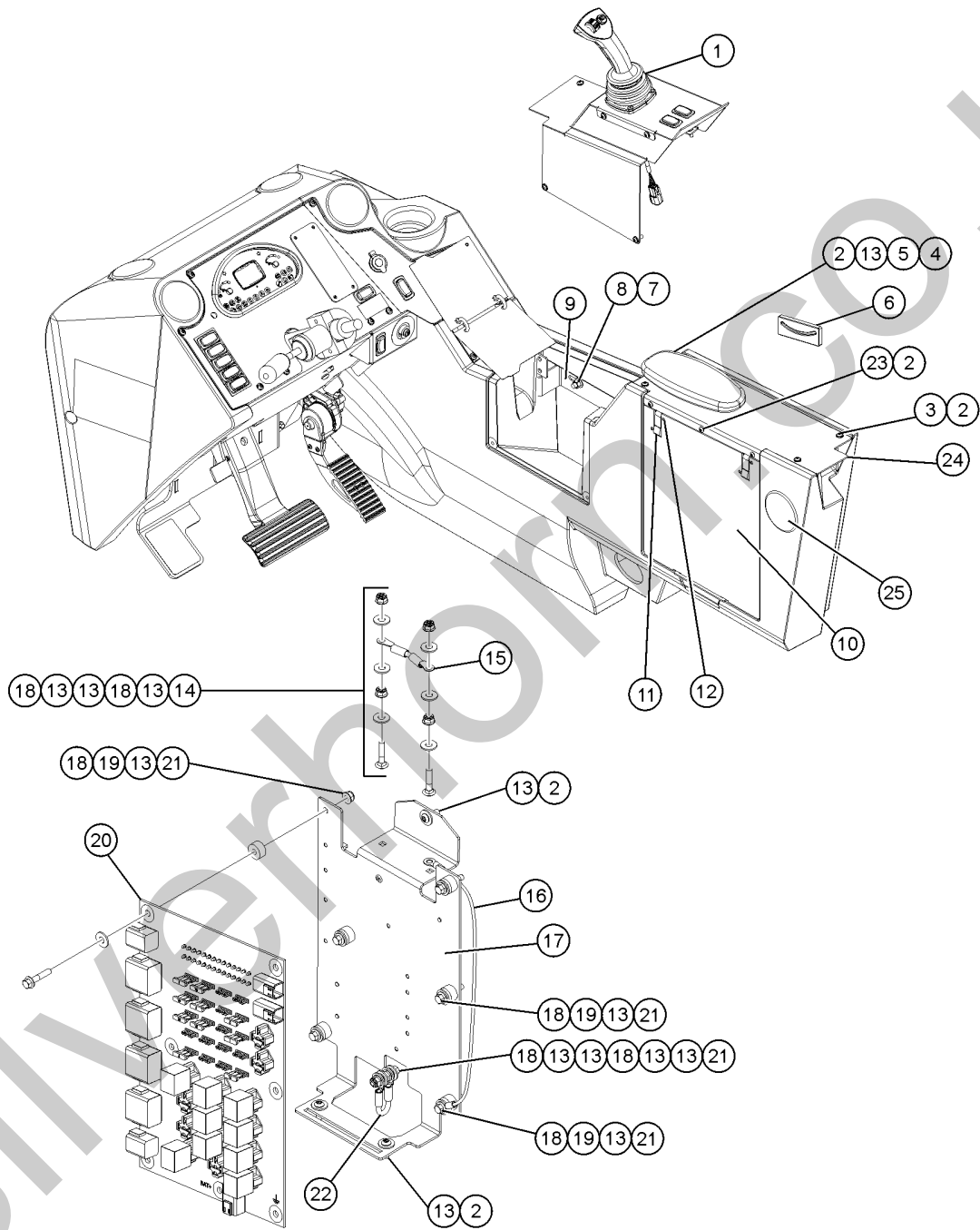
Item	Part No.	Description	Qty.
1	1253948GT	WELDMENT,TILT LOCK	1
2	1282269GT	WELDMENT,STEERING COLUMN	1
3	1254033GT	WELDMENT,STEER COLUMN	1
4	1256679GT	NUT,SERRATED,1/4-20,8,ZAG	5
5	824113GT	WASHER,FLAT,USS,1/4,ZAG	1
6	824079GT	SCREW,HHF,1/4-20X1,8,ZAG	5
7	824091GT	SCREW,HHF,3/8-16X1.25,8,ZAG	2
8	226306GT	ASSEMBLY, BRAKE VALVE	1
9	227108GT	THROTTLE PEDAL, METAL, GTH	1
10	7-125-05GT	SHIFTER ASSEMBLY	1
10-	1255535GT	SHIFTER MOUNTING KIT	1
11	1283327GT	STEERING UNIT, 250CC W/LS RELIEF (compatible with Danfoss PVG primary manifold and electronic joystick system)	1
12	123136GT	STEERING WHEEL, 362MM	1
13	218100GT	COLUMN, STEERING, 225MM	1
14	1255760GT	WASHER,FLAT,1/2,USS,ZAG	4
15	110149GT	CABLE TIE,DFT MOUNT BLK,6.5"	3
16	824090GT	SCREW,HHF,3/8-16X1,8,ZAG	4
17	1256478GT	BOLT,SHS,1/2X.5X3/8-16,ZAG	4
18	824038GT	NUT, TL JAM, 3/8-16, A, ZAG	6
19	78086GT	BALL STUD, GAS STRUT, 3/8-16	2
20	39542GT	GAS SHOCK, SCISSORS***	1
21	29868GT	SPRING CLIP,3/8-16,.05-.20X.73,ZAG	4
22	1255393GT	SCREW,BHC,3/8-16X1,F835,ZAG	2
23	87075GT	WASHER,NYLON .50 X 1.25 X .063	4
24	825358GT	WASHER,FLAT,5/16,USS,ZAG	4
25	7-147-41GT	HORN BUTTON KIT***	1
25-	7-147-44GT	CONTACT BRUSH SET(HORN) for 7-147-41	1
26	237662GT	TAPE,NON-SKID,DIE CUT,3"X 4"	1

404.1 Standard Cab Components, View 4



Item	Part No.	Description	Qty.
1		REF. CONTROLLER,UNIVERSAL ELECTRONIC GTH refer to 405.1	1
2	1278088GT	SCREW,BHC,TORX PLUS, 1/4-20X3/4,F835,ZAG	12
3	1256125GT	WASHER,FLAT,#12,SAE,HRD,ZAG	4
4	229304GT	PAD, ARMREST	1
5	236436GT	ROUNDBAR,ALUMINUM,.375X5.00	1
6	123561GT	LEV-O-GAGE INDICATOR	1
7	824029GT	NUT,TL FLG,3/8-16,G,ZAG	2
8	824125GT	BOLT,CARRIAGE,3/8-16X1.5,ZAG	2
9	1253957GT	FORMING, CAB SIDE MOUNT	1
10	1271304GT	PLATE, PCB COVER	1
11	105759GT	LATCH,COMPRESSION,SMALL	2
12	824206GT	RIVET, STL, STL, DOME, 1/8 X .25, ZAG	4
13	824113GT	WASHER,FLAT,USS,1/4,ZAG	21
14	1256463GT	BOLT,CARRIAGE,1/4-20X1.25,5,ZAG	2
15	161444GT	ASSEMBLY, GROUND BUSS	1
16	237933GT	HARNESS, PCB GROUND	1
16-	34053GT	ASSY,RELAY SOCKET, AUTO	1
16-	123270GT	CLIP,RECEP MOUNT,2,4,6,12 WAY	10
16-	231917GT	CLIP,PLASTIC,RECEP MOUNT,8 WAY	3
16-	87085GT	RIVET,ALUM,P,.188 X .25	14
16-	1257390GT	WASHER,FLAT,#8,SAE,ZAG	1
17	1287128GT	FORMING,PCB MOUNT,EJ	1
18	1277924GT	NUT,NYLOCK FLG,1/4-20,F,ZAG	12
19	236280GT	SPACER,NYL .26 X .75 X .375L	6
20	229819GT	PCBA, POWER DISTRIBUTION, ASSY	1
21	824080GT	SCREW,HHF,1/4-20X1.25,8,ZAG	7
22	161524GT	ASSEMBLY, POWER BUSS	1
23	1256679GT	NUT,SERRATED,1/4-20,8,ZAG	3

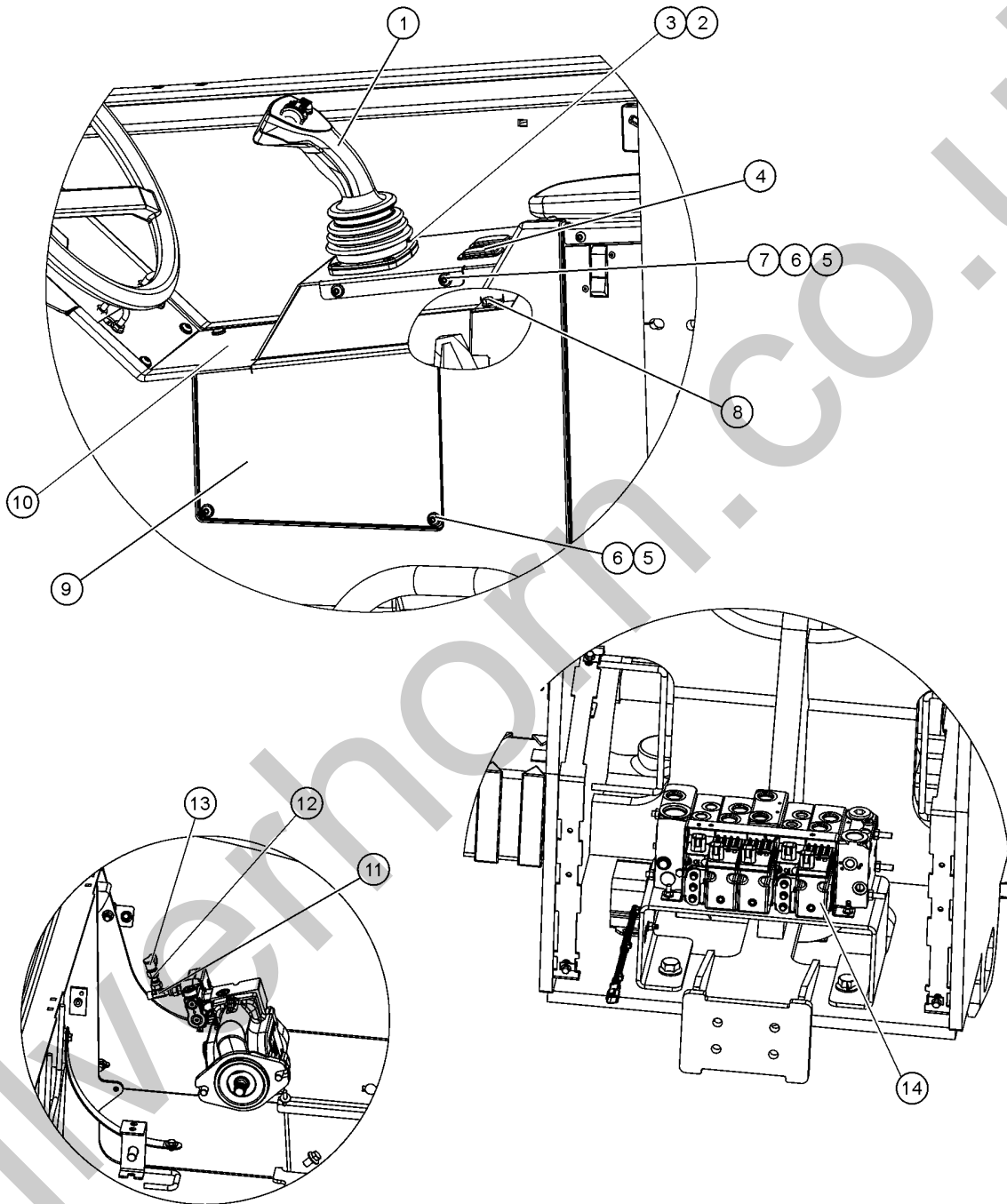
404.1 Standard Cab Components, View 4



<i>Item</i>	<i>Part No.</i>	<i>Description</i>	<i>Qty.</i>
24	1271302GT	FORMING, ARMREST	1
24B	1271303GT	PLATE, LATCH STRIKER	1
		for 1271302	
24C	1269198GT	SEAL, FOAM, PSA, 3/4X1/4	17
		for 1271302	
25	123572GT	HOLE PLUG, 3 IN	1

Silverhorn.co.uk

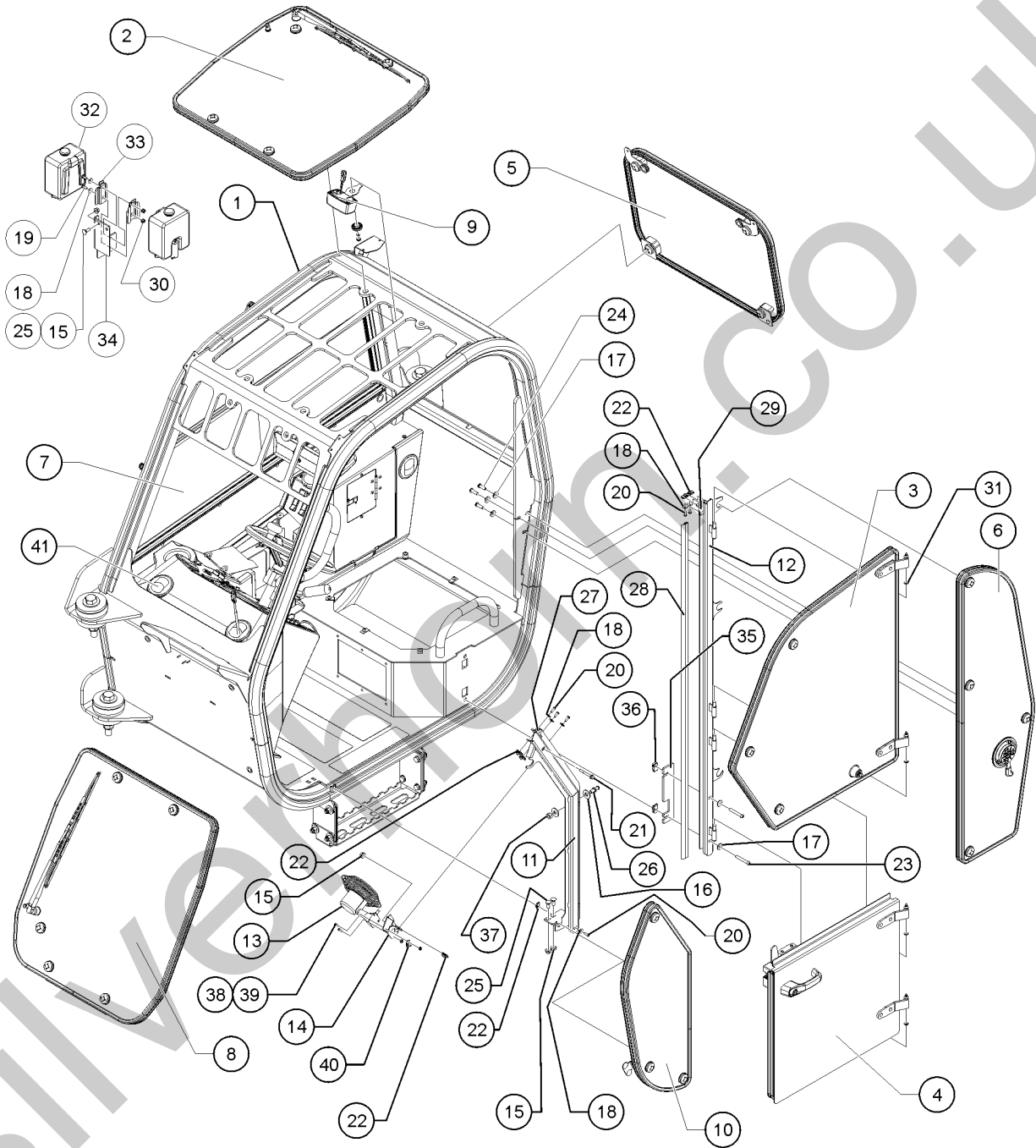
405.1 Joystick Controller Assemblies



405.1 Joystick Controller Assemblies

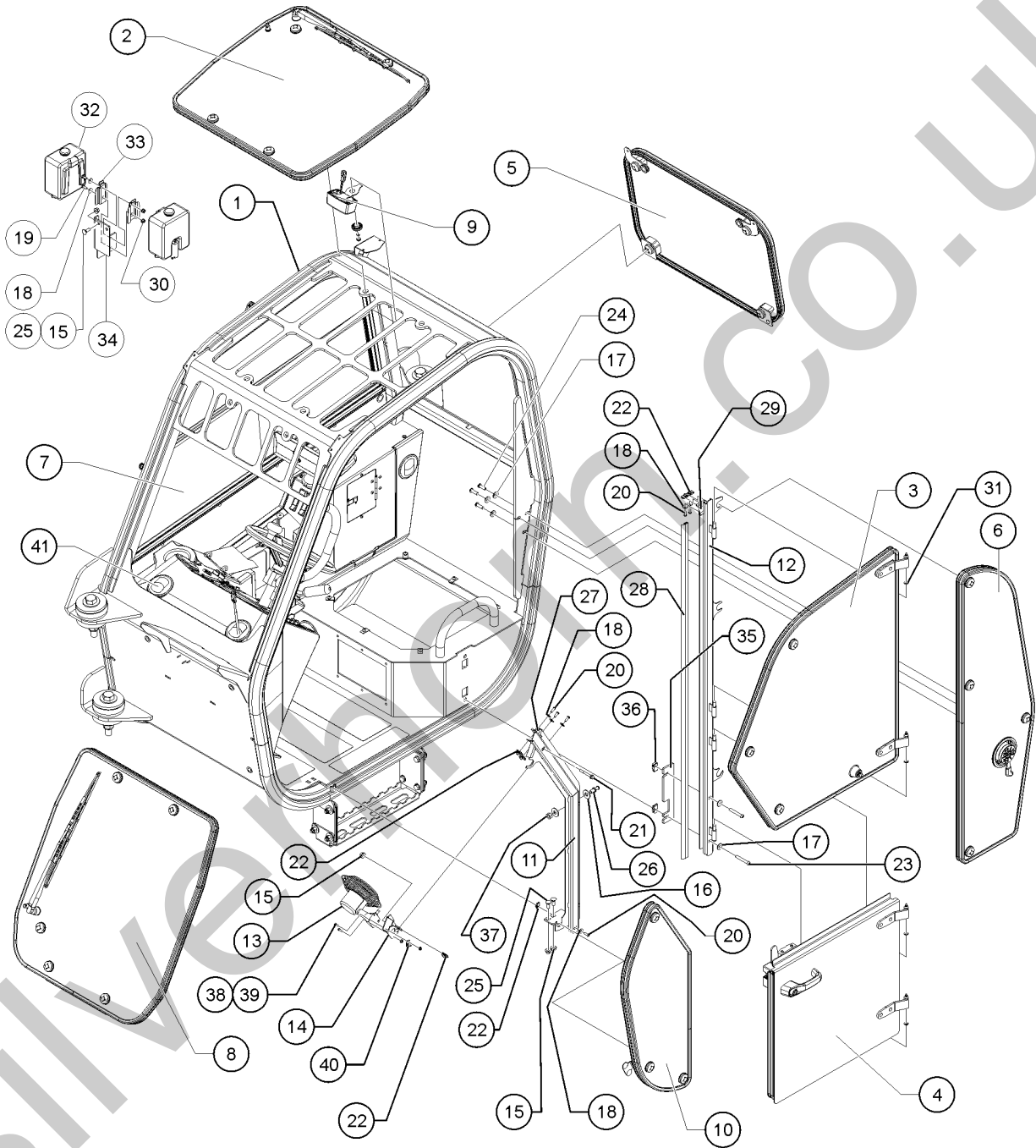
Item	Part No.	Description	Qty.
1	1284342GT	CONTROLLER,UNIVERSAL ELECTRONIC GTH to SN GTH06E-13139	1
1B	1303449GT	CONTROLLER,UNIVERSAL ELECTRONIC GTH from SN GTH06E-13140	1
2	1257046GT	SCREW,FHS,10-32X1,F835,ZAG	4
3	1283005GT	NUT,NYLOCK FLG,10-32,A,ZAG	4
4	123567GT	PANEL PLUG	2
5	1278088GT	SCREW,BHC,TORX PLUS, 1/4-20X3/4,F835,ZAG	5
6	1256125GT	WASHER,FLAT,#12,SAE,HRD,ZAG	5
7	56912GT	SPRING CLIP,1/4-20,.025-.15X.54,ZAG	2
8	824078GT	SCREW,HHF,1/4-20X.75,8,ZAG	1
9	1284346GT	FORMING,SIDE,MOUNT,UNIVERSAL CONTROLLER	1
10	1284347GT	FORMING,TOP,MOUNT,UNIVERSAL CONTROLLER	1
11	48908GT	FITTING,TEE,RUN,SWIVEL520432-4	1
12	49207GT	NIPPLE,DIAGNOSTIC,ORFS,FM,SWIV	1
13	48880GT	CAP,DIAGNOSTIC NIPPLE	1
14		REF. PRIMARY FUNCTION MANIFOLD (Refer to 202.1 or 806.1)	

406.1 Enclosed Cab Assembly Option, View 1

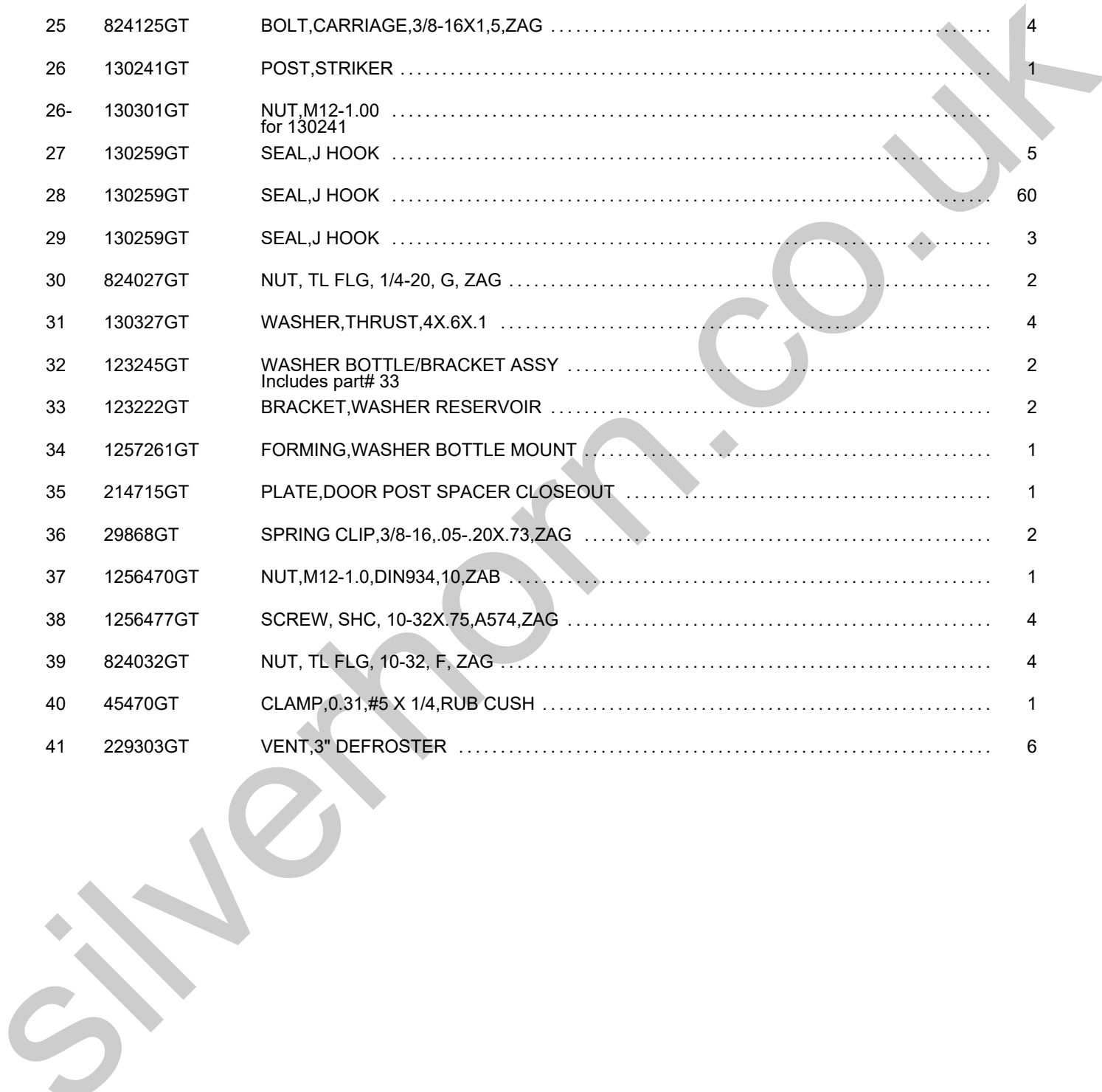


Item	Part No.	Description	Qty.
A	1269532GT	DECAL, SAFE T PUNCH	
B	1270245GT	KIT, GLASS BREAK PUNCH	
		(includes decal pn 1269532)	
C	229302GT	CAP PLUG, 1"	2
D	1288309GT	6K/8K CYLINDER CHOCK ASSMEBLY	1
		includes mounting fasteners	
1		Ref. WELDMENT, CAB	1
		refer to 401.1	
2	230008GT	ASSEMBLY, SKYLIGHT GTH	1
		refer to 408.1	
3	231118GT	ASSY,UPPER DOOR,ENCL.CAB	1
		refer to 412.1	
4	236667GT	ASSY,LOWER DOOR,ENCL.CAB	1
		refer to 414.1	
5	130164GT	ASSEMBLY, REAR WINDOW	1
		refer to 410.1	
6	236782GT	ASSEMBLY, RR WINDOW	1
		refer to 413.1	
7	231330GT	ASSEMBLY, RH WINDOW, GTH	1
		refer to 409.1	
8	230043GT	ASSEMBLY,WINDSHIELD,GTH	1
		refer to 407.1	
9	230030GT	ASSEMBLY, DOME LIGHT	1
10	130243GT	ASSY,LEFT,FRONT,WINDOW	
		refer to 411.1	
11	1253977GT	WELDMENT,SLAM POST	1
12	1253978GT	WELDMENT,DOOR POST (TRF BLACK)	1
13	234859GT	HARNESS, CAB FAN	1
13-	130536GT	FAN,DEFROSTER,GENIE CAB	1
13-	80220GT	SWITCH,TOGGLE,SPDT***	1
14	1253979GT	FORMING,DEFROST FAN MOUNT	1
15	824029GT	NUT,TL FLG,3/8-16,G,ZAG	5
16	1255760GT	WASHER,FLAT,1/2,USS,ZAG	2
17	1255758GT	WASHER,FLAT,3/8,USS,ZAG	5
18	824113GT	WASHER,FLAT,USS,1/4,ZAG	8
19	824059GT	SCREW,HHC,1/4-20X.75,8,ZAG	2
21	824095GT	SCREW, HHF, 3/8-16 X 3, 8, ZAG	1
22	56912GT	SPRING CLIP,1/4-20,.025-.15X.54,ZAG	6
23	1256474GT	SCREW,BHC,3/8-16X2.5,F835,ZAG	2

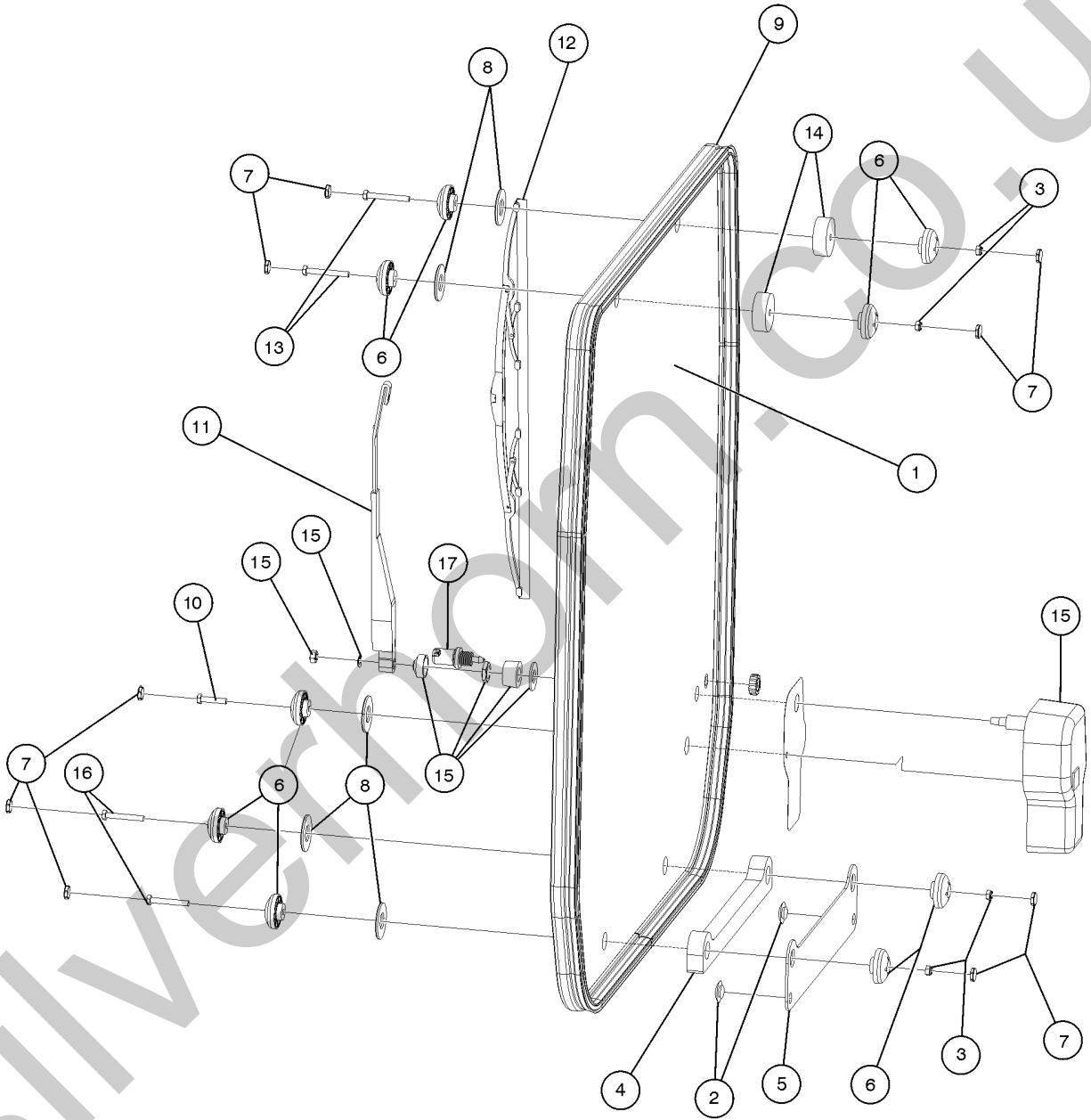
406.1 Enclosed Cab Assembly Option, View 1



Item	Part No.	Description	Qty.
24	1255630GT	SCREW,BHC,3/8-16X1.5,F835,ZAG	3
25	824125GT	BOLT,CARRIAGE,3/8-16X1,5,ZAG	4
26	130241GT	POST,STRIKER	1
26-	130301GT	NUT,M12-1.00	
		for 130241	
27	130259GT	SEAL,J HOOK	5
28	130259GT	SEAL,J HOOK	60
29	130259GT	SEAL,J HOOK	3
30	824027GT	NUT, TL FLG, 1/4-20, G, ZAG	2
31	130327GT	WASHER,THRUST,4X.6X.1	4
32	123245GT	WASHER BOTTLE/BRACKET ASSY	2
		Includes part# 33	
33	123222GT	BRACKET,WASHER RESERVOIR	2
34	1257261GT	FORMING,WASHER BOTTLE MOUNT	1
35	214715GT	PLATE,DOOR POST SPACER CLOSEOUT	1
36	29868GT	SPRING CLIP,3/8-16,.05-.20X.73,ZAG	2
37	1256470GT	NUT,M12-1.0,DIN934,10,ZAB	1
38	1256477GT	SCREW, SHC, 10-32X.75,A574,ZAG	4
39	824032GT	NUT, TL FLG, 10-32, F, ZAG	4
40	45470GT	CLAMP,0.31,#5 X 1/4,RUB CUSH	1
41	229303GT	VENT,3" DEFROSTER	6

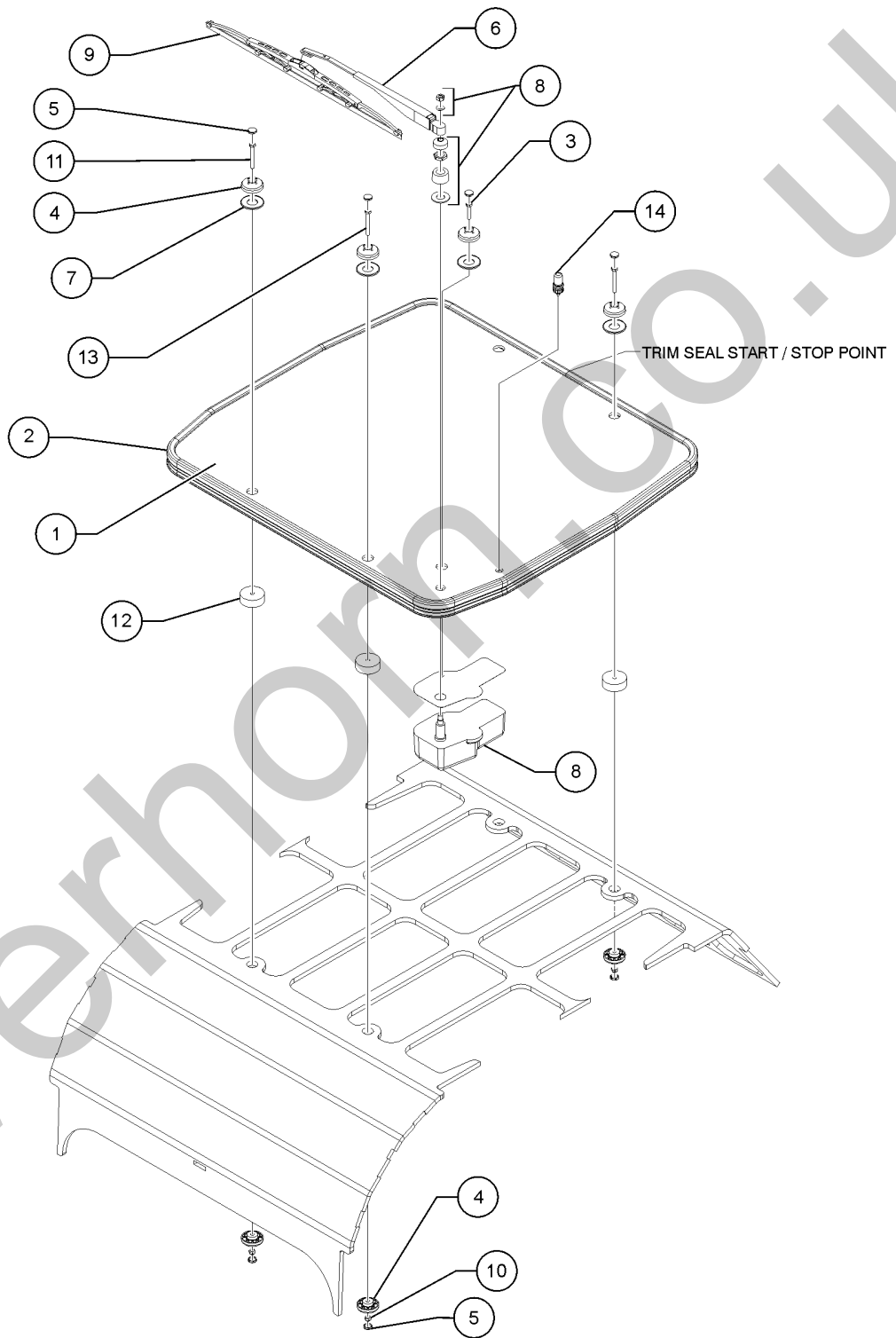


407.1 Enclosed Cab Assembly Option, View 2



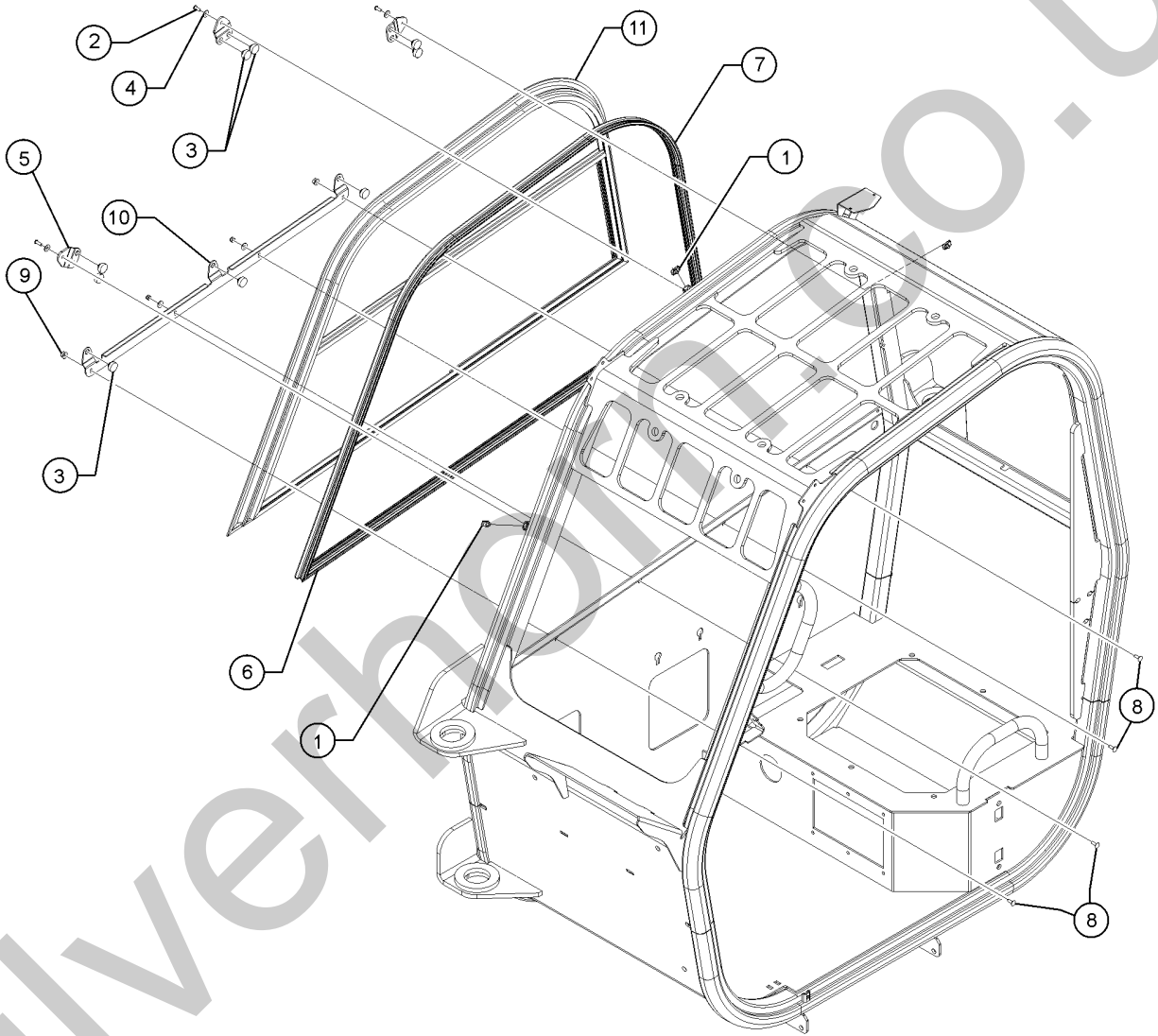
Item	Part No.	Description	Qty.
A	236350GT	SWITCH, WINDSHIELD WIPER/WSHER	1
1	230044GT	GLASS,FRONT WINDSHIELD	1
2	47478GT	BUMPER, RUBBER, 1"OD X .461H	2
3	1256455GT	NUT,TL,M6-1.0,DIN980,10,ZAB	4
4	237667GT	HDPE,FRONT WINDOW SPACER	1
5	1253974GT	PLATE,WINDSHIELD RETAINER	1
6	130123GT	BUSHING,WINDOW FASTENER	9
7	130124GT	CAP,WINDOW BUSHING	9
8	130189GT	SPACER,GLASS BUSHING	5
9	130163GT	WEATHERSTRIP,DOUBLE BULB	119
10	1256451GT	SCREW,HHC,M6-1.0X30,DIN931,10.	1
11	130160GT	WIPER ARM,14"	1
12	130208GT	WIPER BLADE,20"	1
13	1256453GT	SCREW,HHC,M6-1.0X50,DIN931,10.	2
14	230009GT	SPACER,WINDOW	2
15	130198GT	WIPER MOTOR	1
16	1256452GT	SCREW,HHC,M6-1.0X45,DIN931,10.	2
17	130203GT	NOZZLE,WINDSHIELD WASHER	1

408.1 Enclosed Cab Assembly Option, View 3



Item	Part No.	Description	Qty.
A	236351GT	SWITCH, SKYLIGHT WIPER/WASHER	1
1	230007GT	GLASS,SKYLIGHT,GTH	1
2	130163GT	WEATHERSTRIP,DOUBLE BULB	109
3	1256451GT	SCREW,HHC,M6-1.0X30,DIN931,10.	1
4	130123GT	BUSHING,WINDOW FASTENER	9
5	130124GT	CAP,WINDOW BUSHING	9
6	130160GT	WIPER ARM,14"	1
7	130189GT	SPACER,GLASS BUSHING	5
8	130198GT	WIPER MOTOR	1
9	130208GT	WIPER BLADE,20"	1
10	1256455GT	NUT,TL,M6-1.0,DIN980,10,ZAB	4
11	1256453GT	SCREW,HHC,M6-1.0X50,DIN931,10.	3
12	230009GT	SPACER,WINDOW	4
13	1256454GT	SCREW,HHC,M6-1.0X55,DIN931,10.9,ZAB	1
14	130203GT	NOZZLE,WINDSHIELD WASHER	1

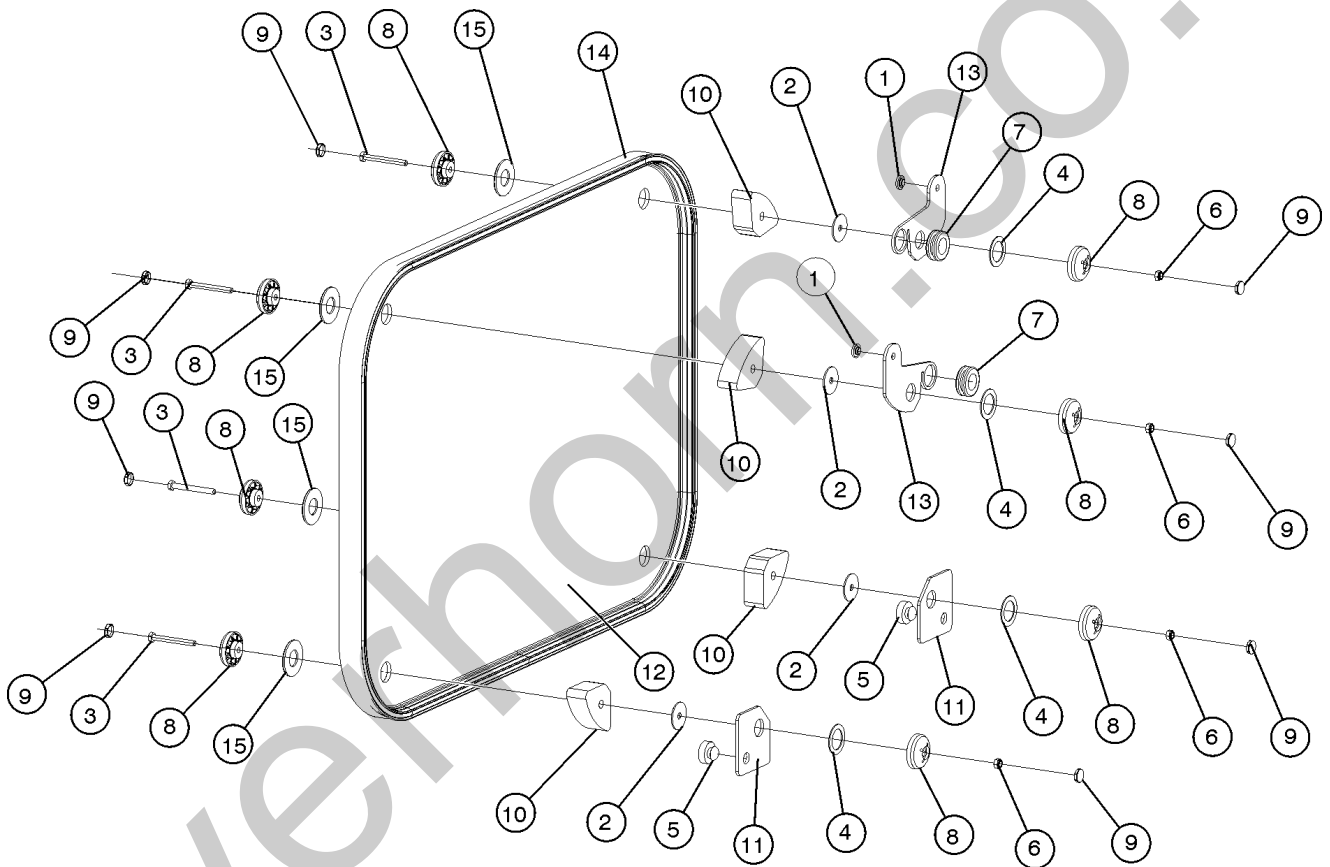
409.1 Enclosed Cab Assembly Option, View 4



Item	Part No.	Description	Qty.
1	56912GT	SPRING CLIP,1/4-20,.025-.15X.54,ZAG	3
2	1278088GT	SCREW,BHC,TORX PLUS, 1/4-20X3/4,F835,ZAG	3
3	43392GT	BUMPER,BATTERY BOX & RAILS	9
4	824113GT	WASHER,FLAT,USS,1/4,ZAG	3
5	1253972GT	FORMING,GLASS RETAINER,SMALL	3
6	130163GT	WEATHERSTRIP,DOUBLE BULB	58
7	130163GT	WEATHERSTRIP,DOUBLE BULB	96
8	824124GT	BOLT, CARRIAGE, 1/4-20 X .75, 5, ZAG	4
9	824027GT	NUT, TL FLG, 1/4-20, G, ZAG	4
10	1314001GT	FORMING, GLASS RETAINER, LARGE, PNTD	1
11	230045GT	WINDOW, RH SLIDING GTH	1
11-	218489GT	KNOB, LOCKING	



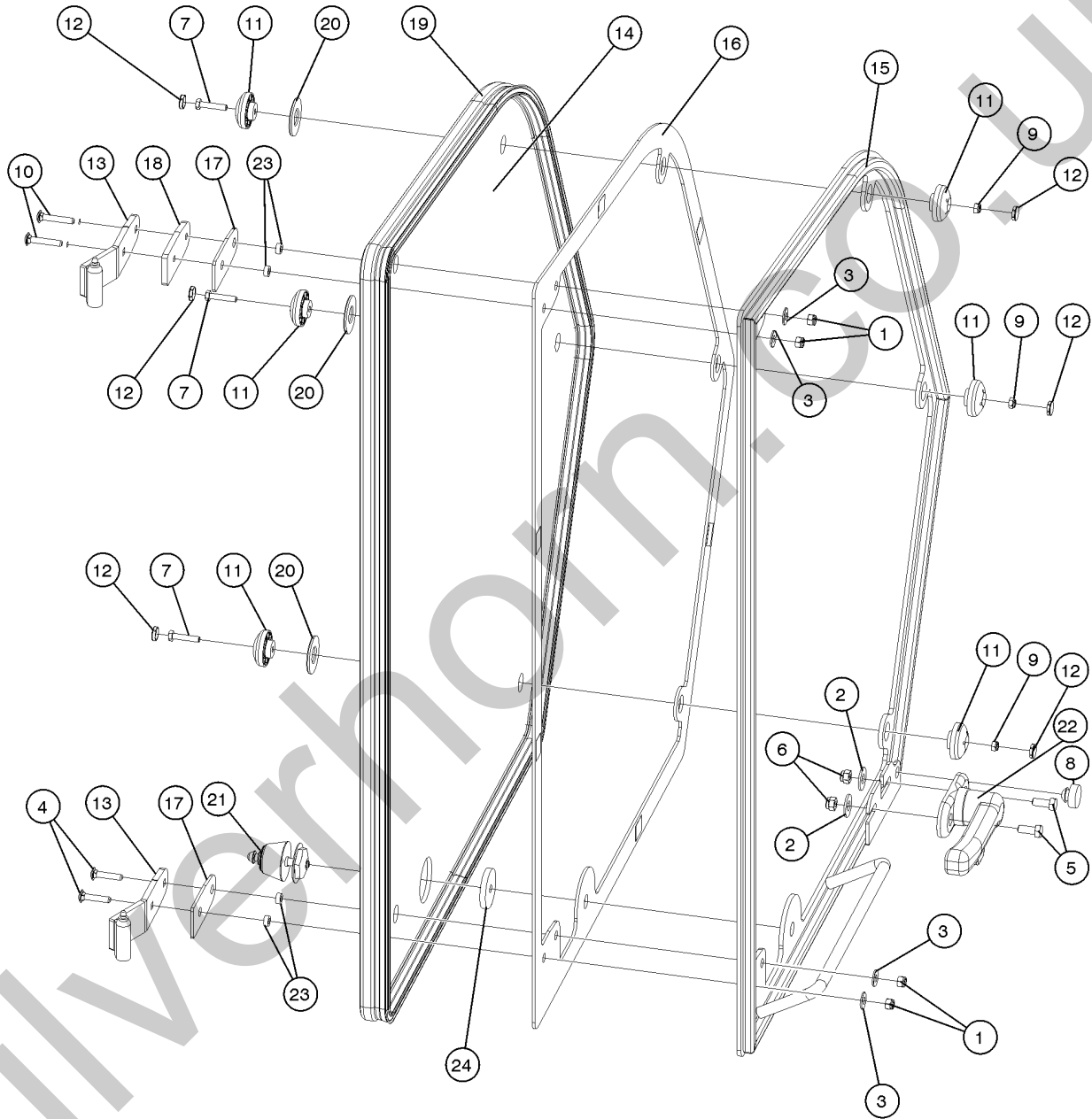
410.1 Enclosed Cab Assembly Option, View 5



Item	Part No.	Description	Qty.
1	11890GT	GLIDE BUTTON,SIDE,GLL,.100 TK	2
2	824119GT	WASHER,FLAT,.25X1.25X.062,ZAG	4
3	1256454GT	SCREW,HHC,M6-1.0X55,DIN931,10.9,ZAB	4
4	1256459GT	WASHER,SHIM,.938X1.37X0.048,ZA	4
5	43392GT	BUMPER,BATTERY BOX & RAILS	2
6	1256455GT	NUT,TL,M6-1.0,DIN980,10,ZAB	4
7	60584GT	GROMMET,RUBBER .75 X .19 X 1**	2
8	130123GT	BUSHING,WINDOW FASTENER	8
9	130124GT	CAP,WINDOW BUSHING	8
10	130126GT	SPACER,CAB WINDOW	4
11	1253969GT	PLATE,WINDOW RETAINER	2
12	130161GT	GLASS,REAR WINDOW	1
13	1253970GT	PLATE,WINDOW LEVER	2
14	130163GT	WEATHERSTRIP,DOUBLE BULB	92
15	130189GT	SPACER,GLASS BUSHING	4



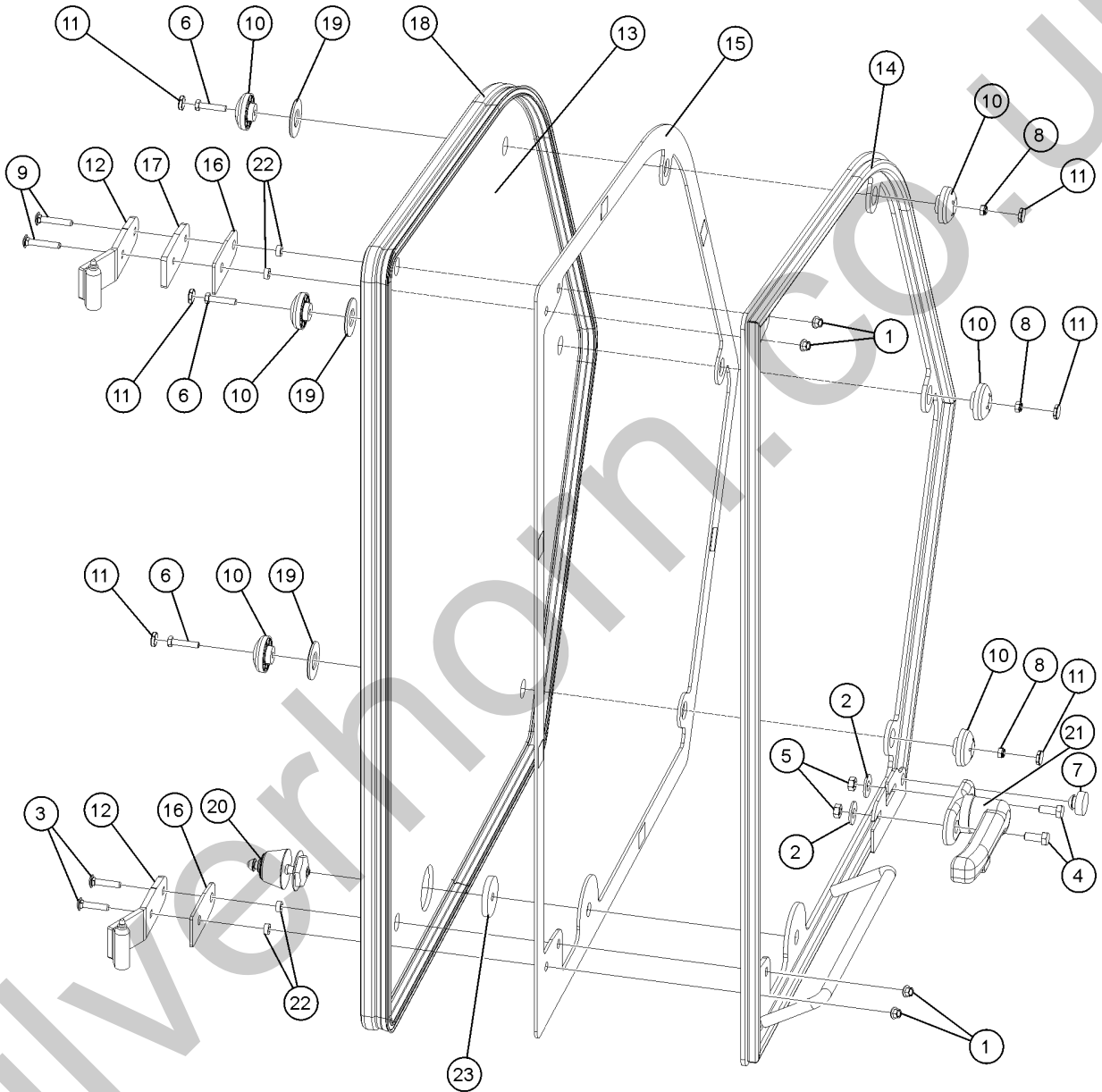
411.1 Enclosed Cab Assembly Option, View 6



411.1 Enclosed Cab Assembly Option, View 6

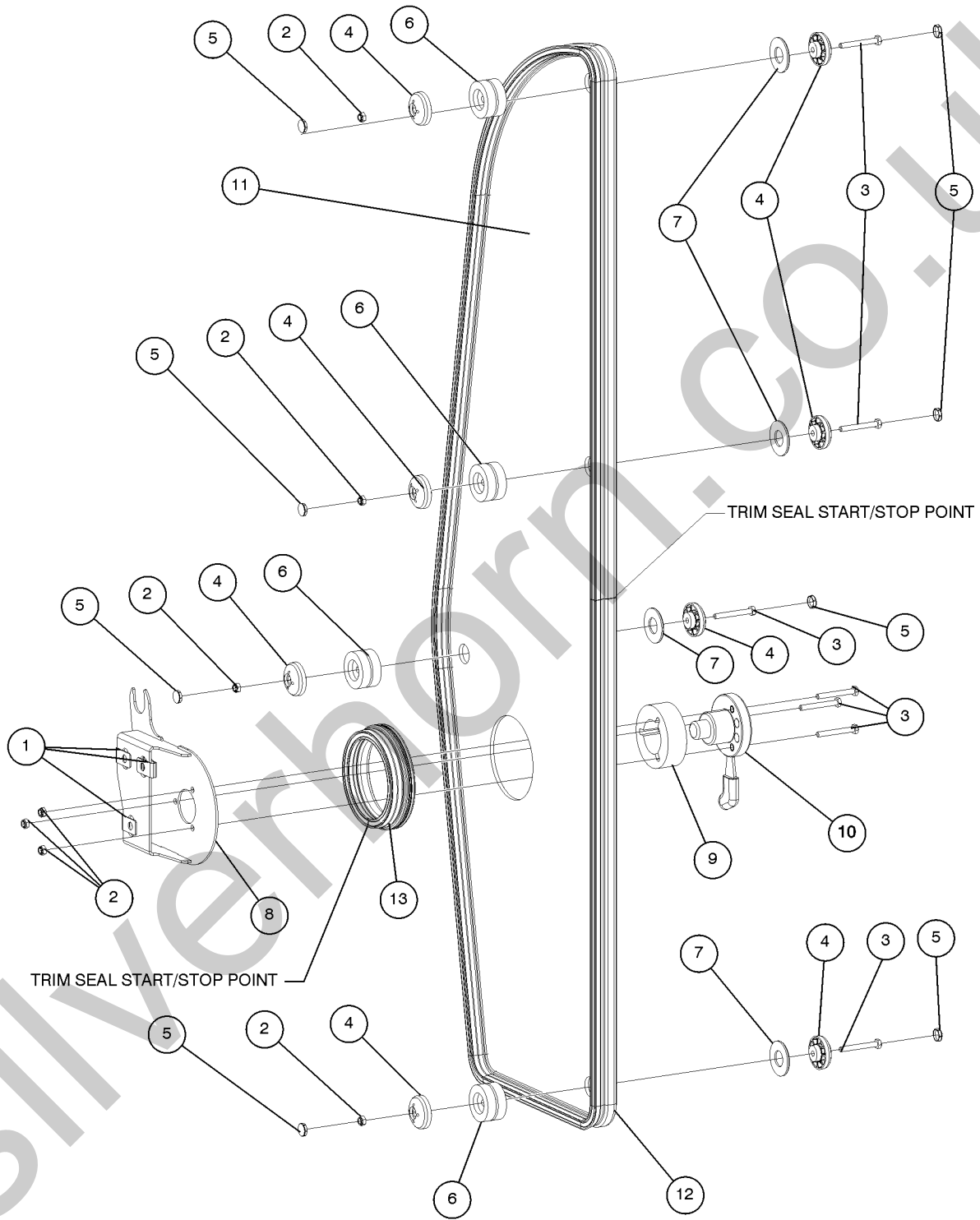
<i>Item</i>	<i>Part No.</i>	<i>Description</i>	<i>Qty.</i>
1	1256455GT	NUT,TL,M6-1.0,DIN980,10,ZAB	3
2	1256453GT	SCREW,HHC,M6-1.0X50,DIN931,10.	3
3	47478GT	BUMPER, RUBBER, 1"OD X .461H	2
4	130123GT	BUSHING,WINDOW FASTENER	6
5	130124GT	CAP,WINDOW BUSHING	6
6	130132GT	GLASS,FRONT SIDE WINDOW	1
7	130163GT	WEATHERSTRIP,DOUBLE BULB	119
8	130134GT	SPACER,WINDOW	3
9	1253976GT	FORMING,GLASS RETAINER	1
10	130189GT	SPACER,GLASS BUSHING	3

412.1 Enclosed Cab Assembly Option, View 7



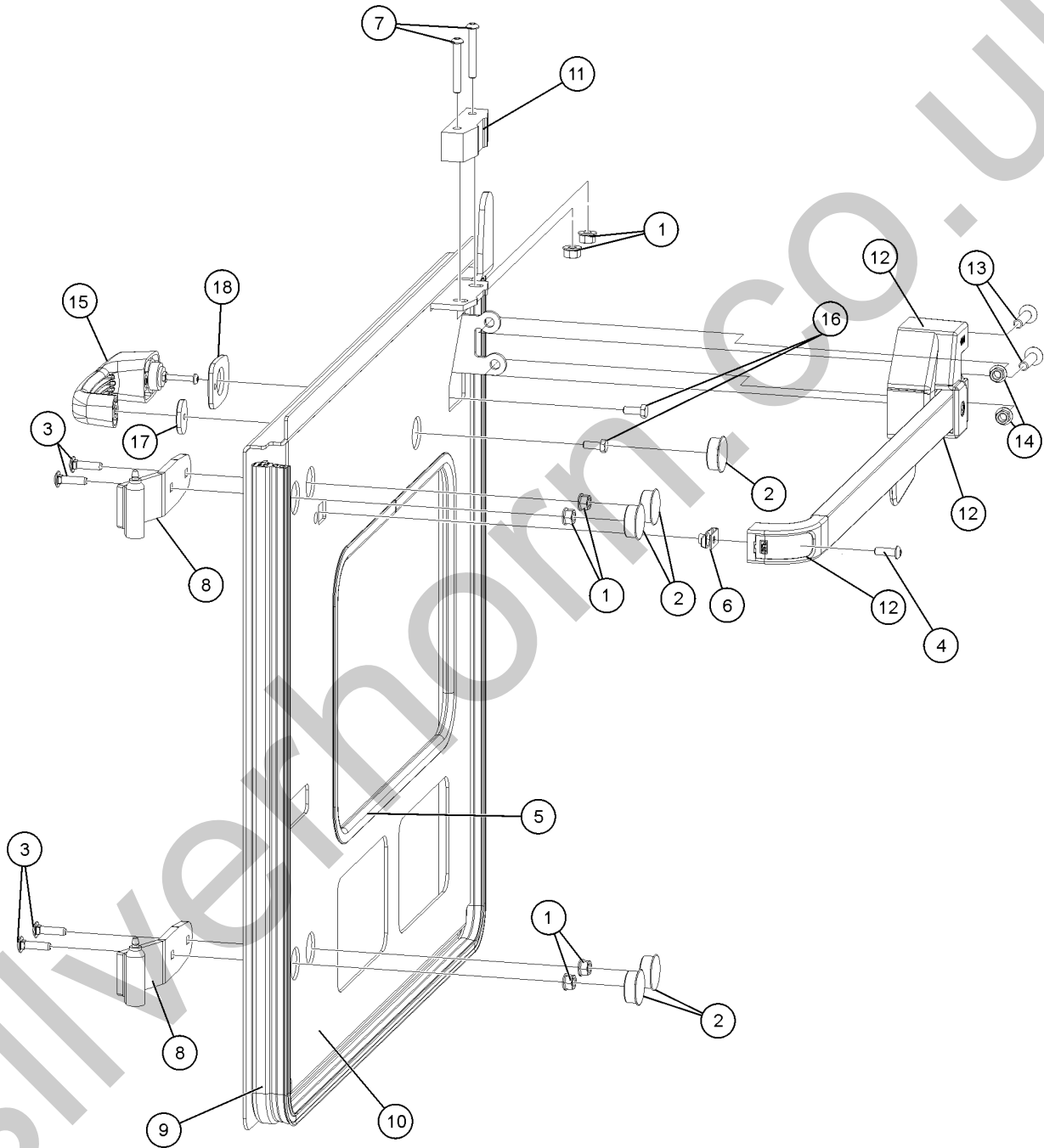
Item	Part No.	Description	Qty.
1	824027GT	NUT, TL FLG, 1/4-20, G, ZAG	4
2	1255758GT	WASHER, FLAT, 3/8, USS, ZAG	2
3	1256463GT	BOLT, CARRIAGE, 1/4-20X1.25, 5, ZAG	2
4	824135GT	SCREW, HHC, M8-1.25X20, DIN933, 10.9, ZAB	2
5	1256456GT	NUT, TL, M8-1.25, DIN980, 10, ZAB	2
6	1256451GT	SCREW, HHC, M6-1.0X30, DIN931, 10.	3
7	43392GT	BUMPER, BATTERY BOX & RAILS	1
8	1256455GT	NUT, TL, M6-1.0, DIN980, 10, ZAB	3
9	1255756GT	BOLT, CARRIAGE, 1/4-20X1.5, 5, ZAG	2
10	130123GT	BUSHING, WINDOW FASTENER	6
11	130124GT	CAP, WINDOW BUSHING	6
12	1253962GT	WELDMENT, FEMALE HINGE	2
13	231119GT	WINDOW, DOOR	1
14	1253967GT	WELDMENT, WINDOW DOOR	1
15	231123GT	GASKET, DOOR WINDOW	1
16	130258GT	GASKET, HINGE	2
17	130147GT	SPACER, HINGE	1
18	130163GT	WEATHERSTRIP, DOUBLE BULB	126
19	130189GT	SPACER, GLASS BUSHING	3
20	130254GT	POST, HOLDBACK LATCH	1
21	640696GT	INTERNAL GLASS HANDLE	1
22	30490GT	HOSE, 1/4 FUEL LINE, SAE 30R7 cut to 0.20 inch	1
23	237067GT	SPACER, ANCHOR	1

413.1 Enclosed Cab Assembly Option, View 8



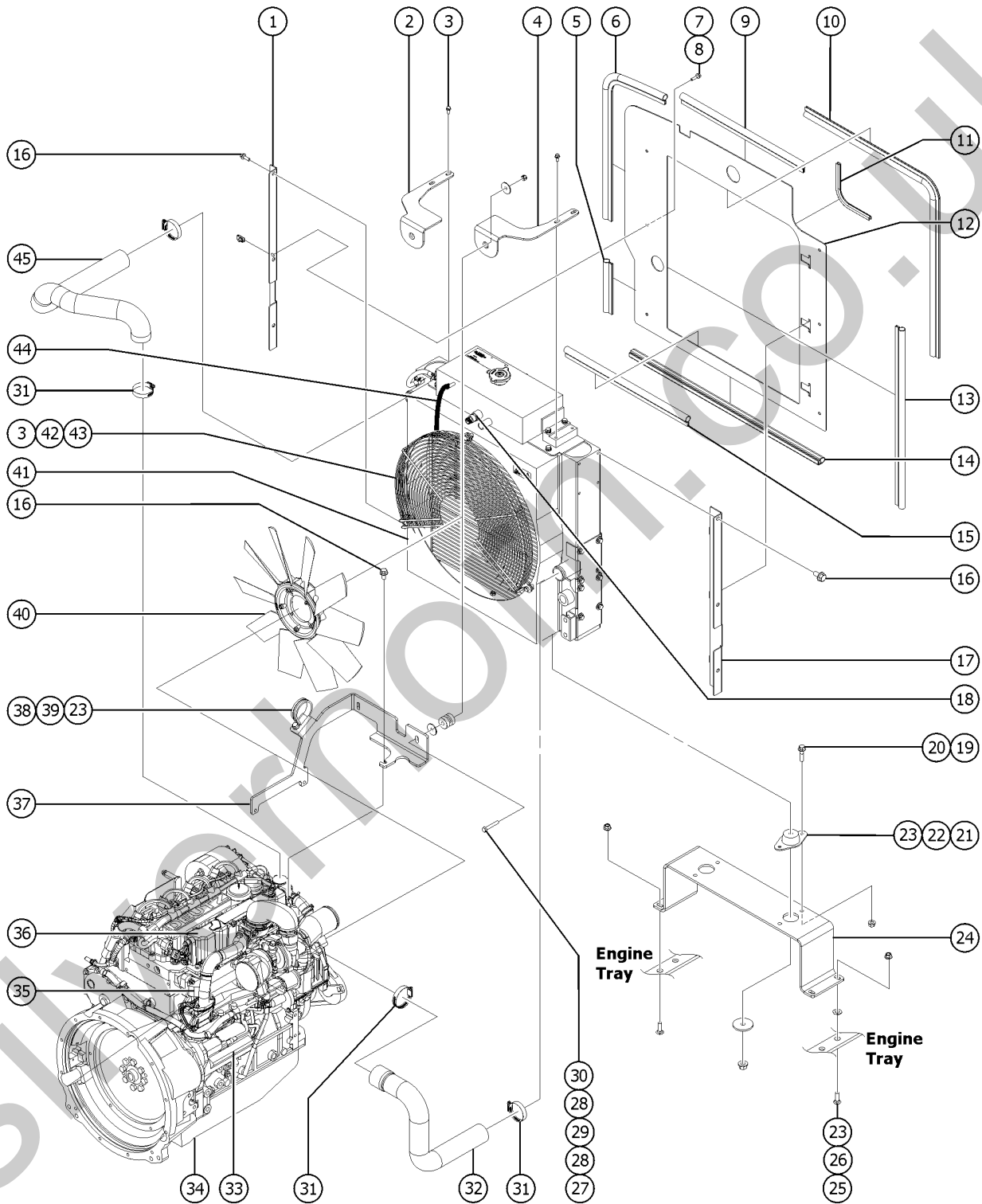
Item	Part No.	Description	Qty.
1	29868GT	SPRING CLIP,3/8-16,.05-.20X.73,ZAG	3
2	1256455GT	NUT,TL,M6-1.0,DIN980,10,ZAB	7
3	1256453GT	SCREW,HHC,M6-1.0X50,DIN931,10.	7
4	130123GT	BUSHING,WINDOW FASTENER	8
5	130124GT	CAP,WINDOW BUSHING	8
6	130134GT	SPACER,WINDOW	4
7	130189GT	SPACER,GLASS BUSHING	4
8	1253971GT	WELDMENT, HOLDBACK MOUNTING	1
9	130215GT	SPACER,HOLDBACK MOUNT	1
10	130220GT	HOLDBACK LATCH	1
11	236783GT	GLASS, SIDE, LR	1
12	130163GT	WEATHERSTRIP,DOUBLE BULB	122
13	130163GT	WEATHERSTRIP,DOUBLE BULB	13

414.1 Enclosed Cab Assembly Option, View 9



Item	Part No.	Description	Qty.
1	1277924GT	NUT,NYLOCK FLG,1/4-20,F,ZAG	6
2	7-144-09GT	HOLE PLUG,1 1/8 DIA.	5
3	1256127GT	BOLT,CARRIAGE,1/4-20X1",GR 5,ZAG	4
4	1278088GT	SCREW,BHC,TORX PLUS, 1/4-20X3/4,F835,ZAG	1
5	46718GT	TRIMLOCK,BLACK,3/16	47
6	56912GT	SPRING CLIP,1/4-20,.025-.15X.54,ZAG	1
7	1256176GT	SCREW,BHC,1/4-20X1.75,F835,ZAG	2
8	1253962GT	WELDMENT,FEMALE HINGE	2
9	130163GT	WEATHERSTRIP,DOUBLE BULB	74
10	1253968GT	WELDMENT,CAB DOOR	1
11	130223GT	MOUNT,LATCH	1
12	214437GT	LATCH, INNER BAR	1
13	1256458GT	SCREW,FHS,M8-1.25X35,DIN7991,1	2
14	1283014GT	NUT,NYLOCK FLG,M8-1.25,DIN6926,10,ZAB	2
15	1260061GT	HANDLE,LHANDLE,LATCH,GOLDENROD	1
16	824131GT	SCREW,HHF,M6-1.0X16,DIN6921,10.9,ZAB	2
17	215772GT	GASKET, OUTER HANDLE, SM	1
18	215771GT	GASKET, OUTER HANDLE, LG	1

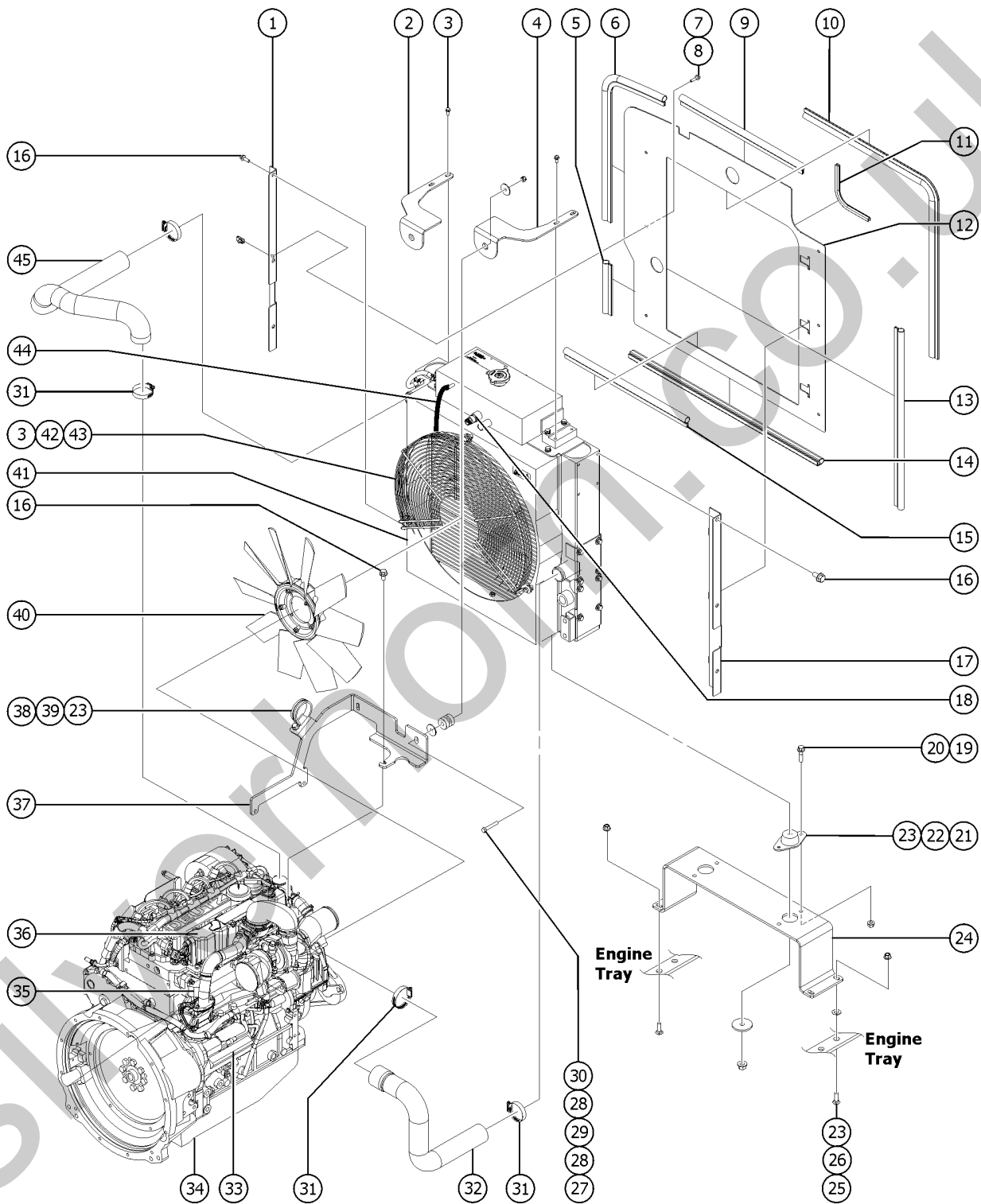
501.1 Deutz 2.9TD T4 Engine, View 1



Item	Part No.	Description	Qty.
A		Due to Tier 4 regulations, many engine replacement parts require the engine serial number at time of order placement. When ordering engine parts please have both machine and engine serial numbers available. For internal engine parts, contact engine dealer 373871113894101822494GTFORMING,BAFFLE MNT,OUT,TD2.910 373871113895202822637GTWELDMENT,RAD SPRT,OUT,TD2.910 373871113896303824132GTSCREW,HHF,M8-1.25X20,DIN6921,10.9,ZAB90 37387111389740482263	
15	119219GT	TRIM,EDGE,1/8X3/4 END BULB	19
16	1251983GT	SCREW,HHF,M8-1.25X16,DIN6921,10.9,ZAB	4
17	822493GT	FORMING,BAFFLE MNT,IN,TD2.9	1
18	218715GT	COOLNT LEVL SENSR, DEUTZTCD3.6	1
18-	1273075GT	This part is used on other engine models SEALING WASHER	
19	824086GT	SCREW, HHF, 5/16-18 X 1, 8, ZAG	4
20	824028GT	NUT,TL FLG,5/16-18,G,ZAG	4
21	T114350GT	ISOLATOR,RADIATOR,PERKINS	2
22	824120GT	WASHER, FLAT, .375 X 1.50 X .125, ZAG	2
23	824029GT	NUT,TL FLG,3/8-16,G,ZAG	7
24	822501GT	FORMING,RAD. SUPPORT,TD2.9	1
25	1255757GT	BOLT,CARRIAGE,3/8-16X1.25,5,ZAG	4
26	87684GT	PUSHRETAINER FOR 3/8"THRD SCREW	4
27	67349GT	SCREW,HHC,M8 X 50	2
28	823059GT	WASHER,SNUBBING,M8	4
29	236334GT	ISOLATOR,UP RADIATOR SUPPORT	2
30	25368GT	NUT,NYLOCK,M8X1.25	2
31	13014GT	CLAMP,HOSE,2.25" DIA.	4
32	161994GT	HOSE,RADIATOR,LOW,TD2.9,GTH	1
33	1254594GT	STARTER,3.2KW,DEUTZ D2.9	1
34	825709GT	OIL PAN,TD2.9	1
35	825706GT	EXHAUST MANIFOLD,TD2.9	1
36	822507GT	MANIFOLD,INTAKE,TD2.9	1
36-	1260355GT	GASKET,INTAKE MANIFOLD,TD2.9(04133129)	
36-	1260356GT	GASKET,RING,INTAKE,TD2.9(04133131)	

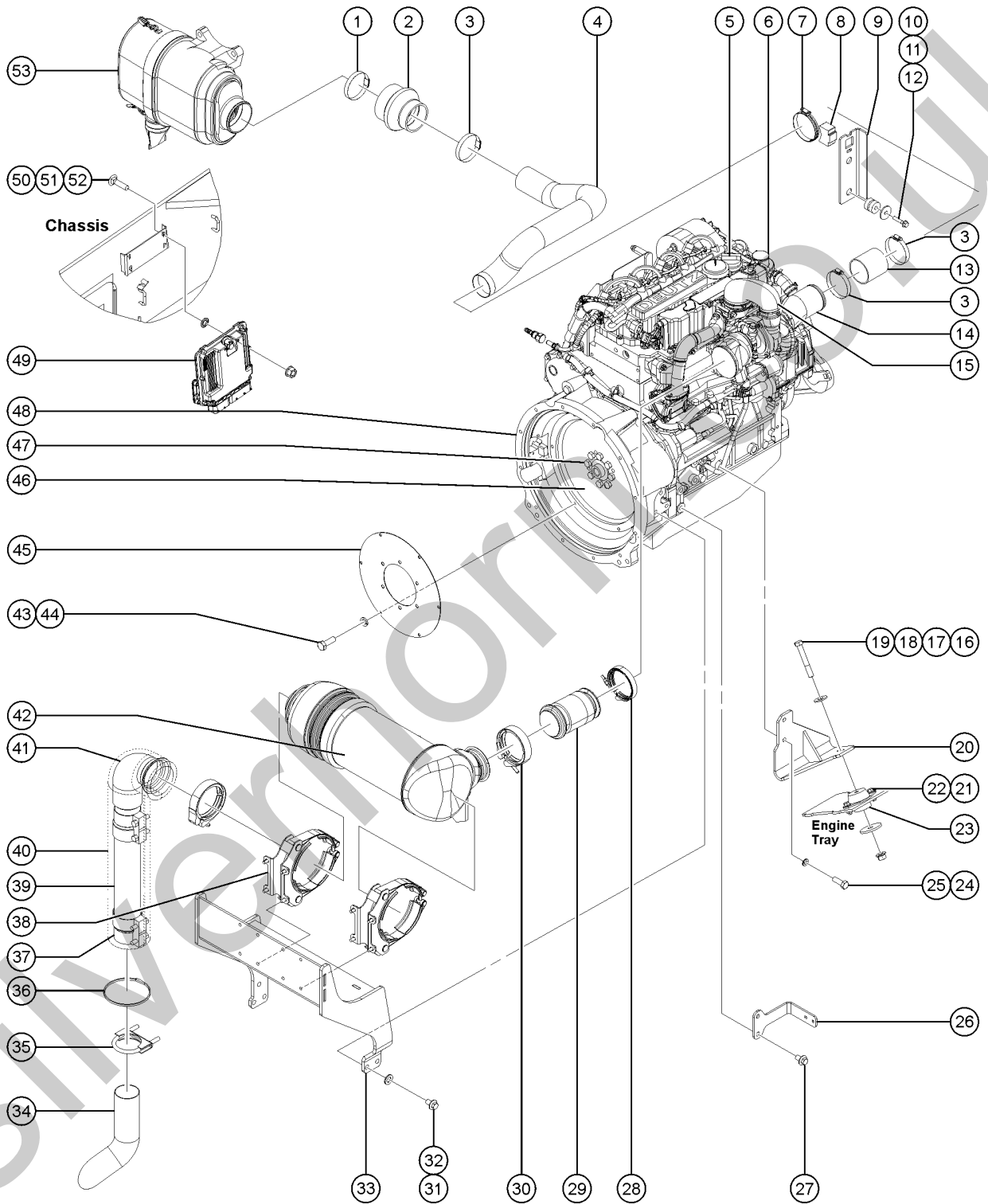


501.1 Deutz 2.9TD T4 Engine, View 1



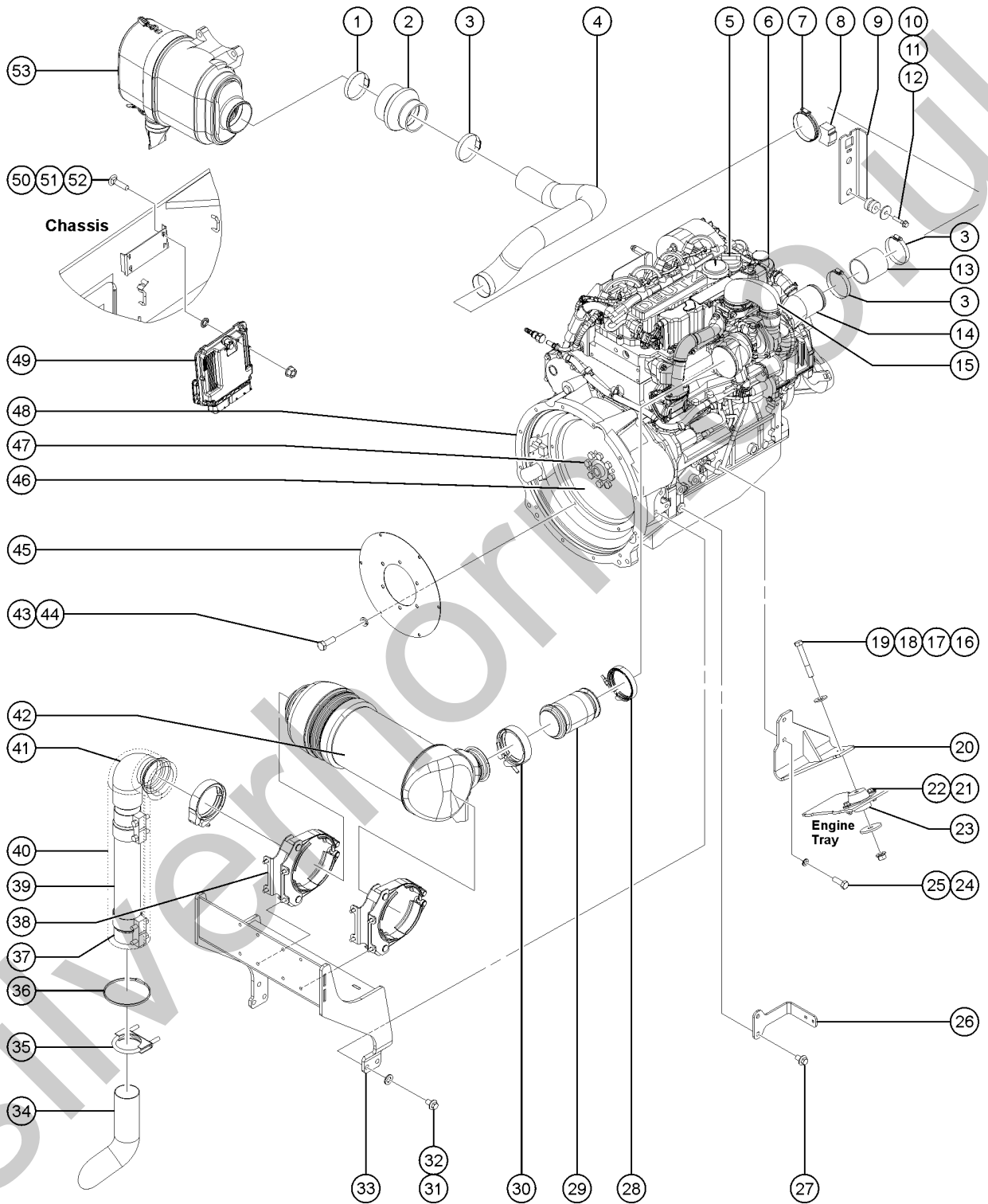
Item	Part No.	Description	Qty.
37	822496GT	FORMING,UP RAD. SPRT,ENG,TD2.9	1
38	824090GT	SCREW,HHF,3/8-16X1,8,ZAG	1
39	87188GT	CLAMP,2.38,#38 X 3/8 RUB CUSH	1
40	1257036GT	FAN,RADIATOR,TD2.9,495MM,10 BLADE	1
41	218714GT	CAP,RADIATOR,DEUTZ TCD3.6	1
41	1282634GT	COOLER PACKAGE,RAD,TD2.9,GTH	1
41-	1282629GT	HOSE,RADIAOR,COOLANT,3/ 4"ID,11.5"CUT PC,75 PSI (hose from overflow tank to water pump)	
41-	1282636GT	FITTING,PIPE,BARBED,M16 x 1.5-6G x3/ 4"HoseID	
41-	36208GT	CLAMP,HOSE,1.25***	
42	1255758GT	WASHER,FLAT,3/8,USS,ZAG	5
43	1282635GT	GUARD,FAN,5 BOLTS,TD2.9	1
44	1279744GT	HOSE,COOLANT,5/16" DIA,12"	1
44-	44909GT	CLAMP,HOSE,.25	
45	161993GT	HOSE,RADIATOR,UPR,TD2.9,GTH	1

502.1 Deutz 2.9TD T4 Engine, View 2



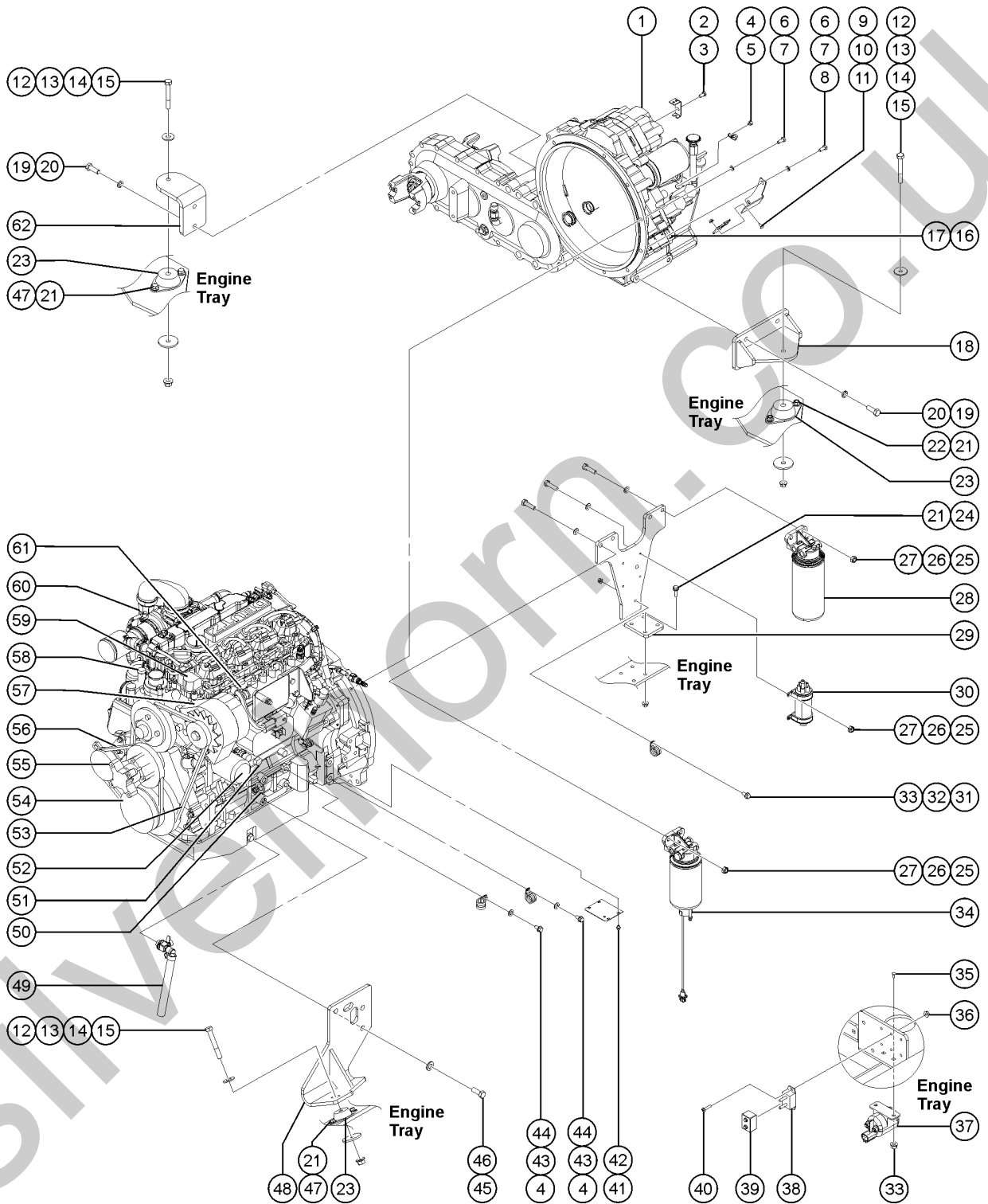
Item	Part No.	Description	Qty.
A		Due to Tier 4 regulations, many engine replacement parts require the engine serial number at time of order placement. When ordering engine parts please have both machine and engine serial numbers available. For internal engine parts, contact engine dealer 3738811139475B1263074GTKIT, INTAKE PIPE SUPPORT0 3738811139481011261461GTCLAMP,HOSE,CT,SAE 412,3-1/4	
2	825560GT	REDUCER,HUMP HOSE,3.5"-2.75"	1
3	1261460GT	CLAMP,HOSE,CT,SAE 48,2-9/16"	3
4	161995GT	PIPE,TURBO INLET,TD2.9,GTH	1
5	1257352GT	CAP,OIL FILLER,TCD 3.6,T4F	1
6	825697GT	THERMOSTAT HOUSING,TD2.9	1
6-	825698GT	THERMOSTAT HOUSING GASKET,TD2.9	
7	30489GT	CLAMP,HOSE,3.50	1
8	1262811GT	SPACER, SUPPORT, AIR INTAKE	1
9	1262810GT	FORMING, SUPPORT, AIR INTAKE	1
10	237820GT	SCREW,HHF,M8X40,DIN6921,8.8,YZ	2
11	824120GT	WASHER, FLAT, .375 X 1.50 X .125, ZAG	2
12	1262812GT	ISOLATOR,UNIV MOUNT,.39IDX	2
13	825561GT	CONNECTOR,HOSE,2.75"	1
14	825511GT	TURBO INLET,TD2.9	1
15	822508GT	ELBOW,INTAKE,TD2.9	1
16	1256287GT	SCREW,HHC,1/2-13X3.5,8,ZAG	1
17	1255760GT	WASHER,FLAT,1/2,USS,ZAG	1
18	1256283GT	WASHER,FLAT,.5X2.25X.188,ZAG	1
19	1251997GT	NUT,TL,FLG,1/2-13,G,ZAG	1
20	161991GT	WELDMENT,ENGINE MNT,IN,TD2.9	1
21	824090GT	SCREW,HHF,3/8-16X1,8,ZAG	2
22	824029GT	NUT,TL FLG,3/8-16,G,ZAG	2
23	822621GT	ISOLATOR,ENGINE,570LB MAX	1
24	22558GT	SCREW,HHC,M14 X 40MM,GR 8.8	2
25	49411GT	WASHER,FLAT,M14	2

502.1 Deutz 2.9TD T4 Engine, View 2



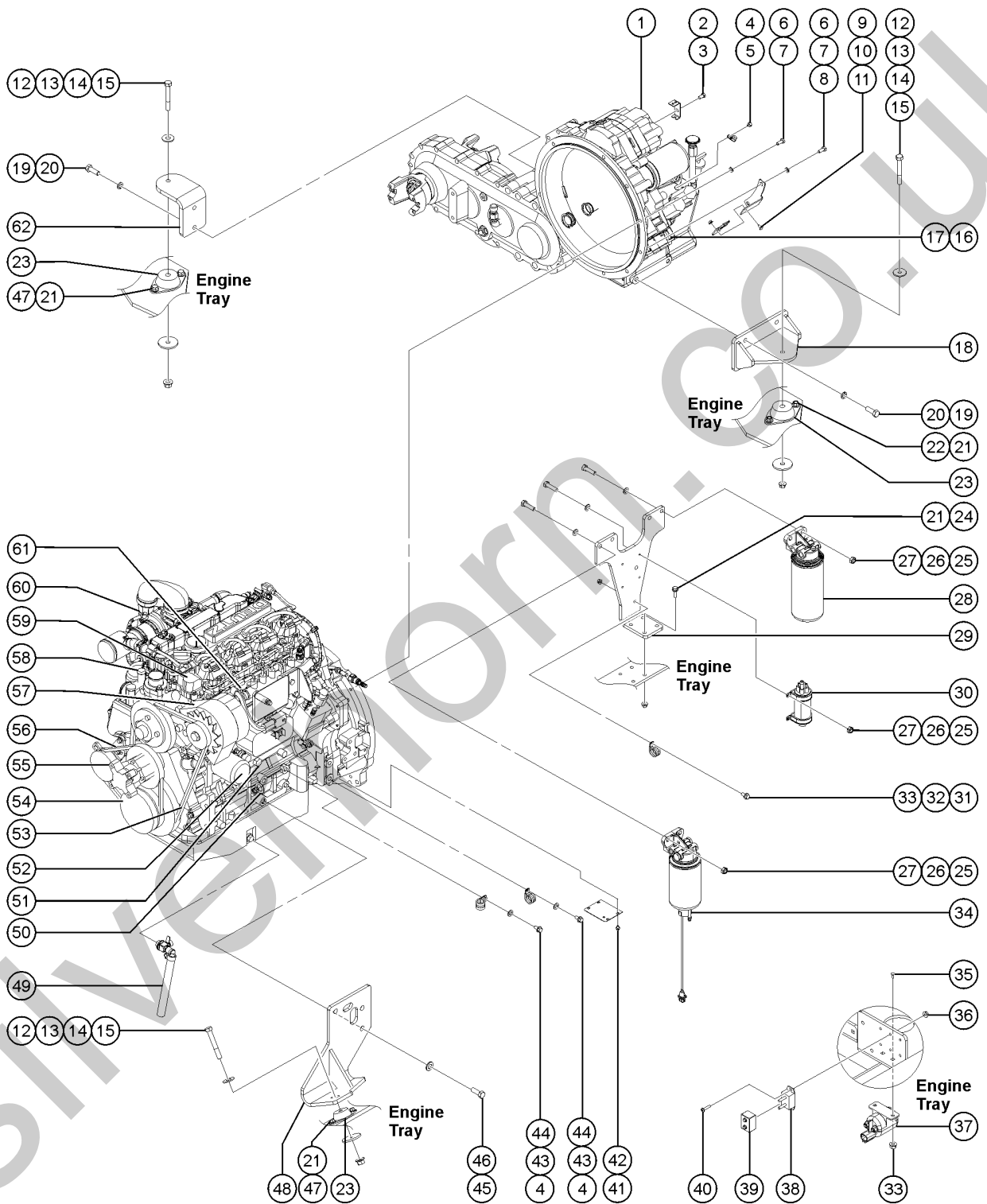
Item	Part No.	Description	Qty.
26	1252678GT	FORMING, BATTERY CABLE MOUNT	1
27	1255806GT	SCREW,HHF,M12-1.75X20,DIN6921,10.9,ZAB	2
28	824775GT	CLAMP,TURBO OUTLET-TURBO PIPE	1
29	822511GT	HOSE,FLEX,EXHAUST,TD2.9	1
30	825015GT	CLAMP, T4 TCD3.6 DOC	1
32	49410GT	WASHER, FLAT, M12	5
33	1285132GT	WELDMENT,DOC MOUNT,TD2.9	1
34	825006GT	TAILPIPE,TD2.9,T4,GTH-636	1
35	71911GT	CLAMP,MUFFLER, 2.50 INCH	1
36	1257664GT	THERMAL TIE,3/16x20"L	6
37	234962GT	CLAMP,EXHAUST,2.5"	2
38	1286790GT	MUFFLER,DOC,CLAMP,DEUTZ	2
39	234961GT	TUBE,EXHAUST,FLEX-PIPE,2.5"ID X 12"L	1
40	1257663GT	WRAP,HEAT SHIELD,11"X30"	1
41	214354GT	PIPE,DOC OUTLET ELBOW	1
42	1286789GT	MUFFLER,DOC,DEUTZ TCD3.6 74HP/ TD2.9	1
43	1256464GT	SCREW,HHC,5/16-18X.75,8,ZAG	6
44	1255764GT	WASHER,LOCK,5/16,ZAG	6
45	1263050GT	ASSEMBLY KIT,FLEXPLATE,DEUTZ	1
46	822509GT	FLYWHEEL,TD2.9,GTH-636	1
46-	822504GT	FLYWHEEL HOUSING,SAE3,TD2.9	
47	1252048GT	BOLT,FLYWHEEL MOUNT,TD2.9	8
48	1261340GT	FLYWHEEL HOUSING,SAE 3,TD2.9	1
49	214795GT	ECM, DEUTZ	1
50	1256127GT	BOLT,CARRIAGE,1/4-20X1",GR 5,ZAG	4
51	105633GT	PUSHRETAINER FOR 1/4"THD SCREW	4
52	824027GT	NUT, TL FLG, 1/4-20, G, ZAG	4
53		REF. FILTER,AIR,M+H IQORON V7	1
		(refer to 204.1)	

503.1 Deutz 2.9TD T4 Engine, View 3



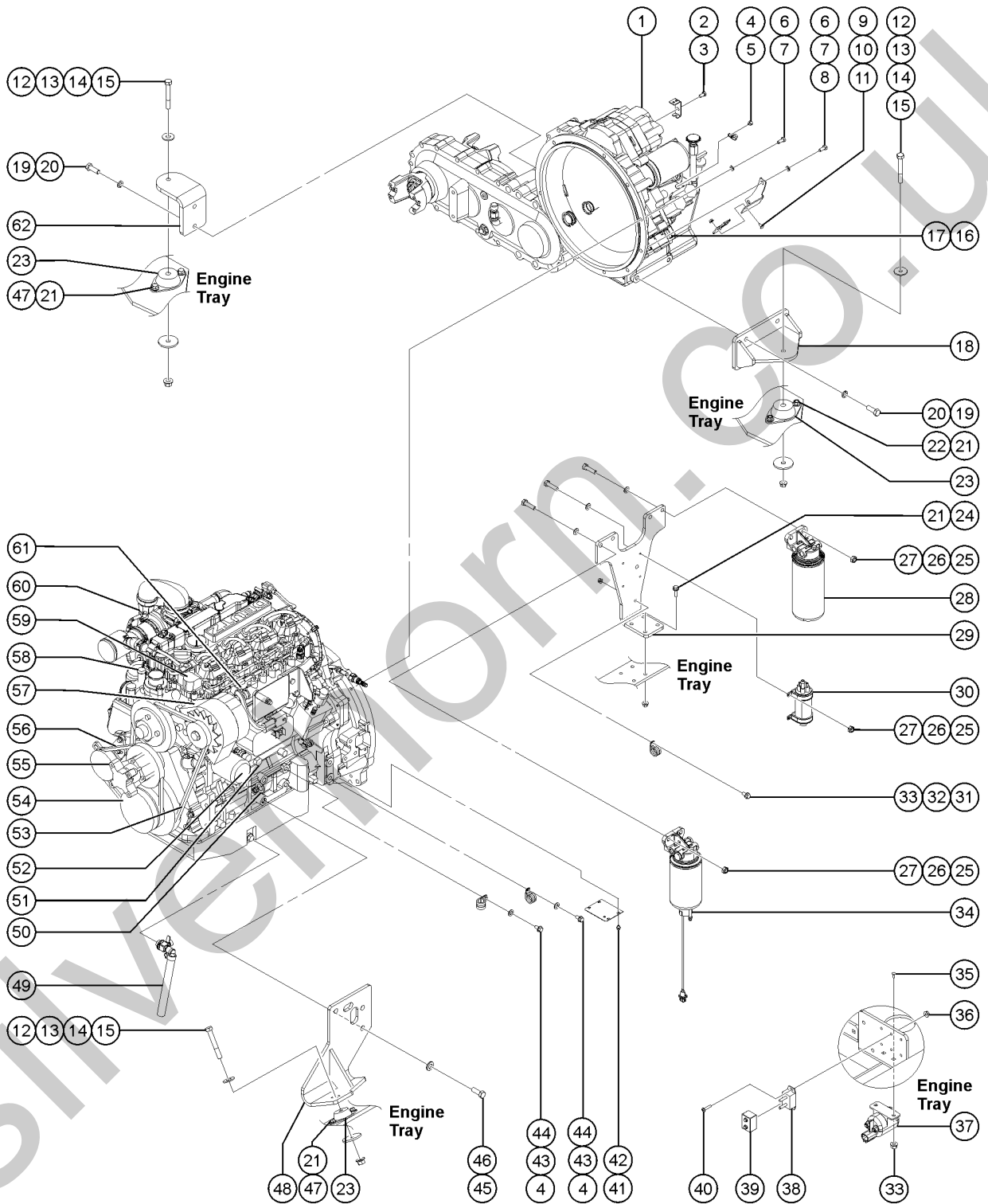
Item	Part No.	Description	Qty.
A	229675GT	SWITCH,TEMP,NO,250F,1/4-18NPTF	1
1	823009GT	ASSY,TRANS,DANA VDT DTZ FP,636	1
1-	7-126-349GT	TRANSMISSION OIL FILTER	1
2	1255807GT	SCREW,HHF,M16-2.0X30,DIN6921,1	1
3	1255000GT	FORMING,TRANS HARNESS MOUNT	1
4	1255806GT	SCREW,HHF,M12-1.75X20,DIN6921,10.9,ZAB	3
5	214537GT	CLAMP,1.00,#16 X 5/8,RUB CUSH	1
6	1256284GT	SCREW,HHC,M10-1.5X30,DIN933,10.9,ZAB	10
7	824142GT	WASHER,LOCK,M10,ZAB	10
8	1257213GT	FORMING, CONNECTOR MOUNT	1
9	1256282GT	BOLT,CARRIAGE,10-24X.5,5,ZAG	1
10	229987GT	CLIP,METAL MOUNT RECEP DEUTSCH	1
11	1274170GT	NUT, NYLOCK, 10-24, A, ZAG	1
12	1256287GT	SCREW,HHC,1/2-13X3.5,8,ZAG	3
13	1255760GT	WASHER,FLAT,1/2,USS,ZAG	3
14	1256283GT	WASHER,FLAT,.5X2.25X.188,ZAG	3
15	1251997GT	NUT,TL,FLG,1/2-13,G,ZAG	3
16	229989GT	SWITCH PRESSURE NC, 150PSI	1
17	141650GT	ADAPTER,04 FORB X02 MP	1
18	1254977GT	WELDMENT,TRANSMISSION MOUNT,LT	1
19	1256285GT	SCREW,HHC,M12-1.75X35,DIN933,10.9,ZAB	6
20	1256286GT	WASHER,LOCK, M12,ZAB	6
21	824029GT	NUT,TL FLG,3/8-16,G,ZAG	8
22	824125GT	BOLT,CARRIAGE,3/8-16X1.5,ZAG	2
23	822621GT	ISOLATOR,ENGINE,570LB MAX	3
24	824092GT	SCREW, HHF, 3/8-16 X 1.5, 8, ZAG	2
25	22736GT	NUT,NYLOCK,M10X1.50	8
26	22699GT	WASHER, FLAT, M10, ZINC PLTD.	8

503.1 Deutz 2.9TD T4 Engine, View 3



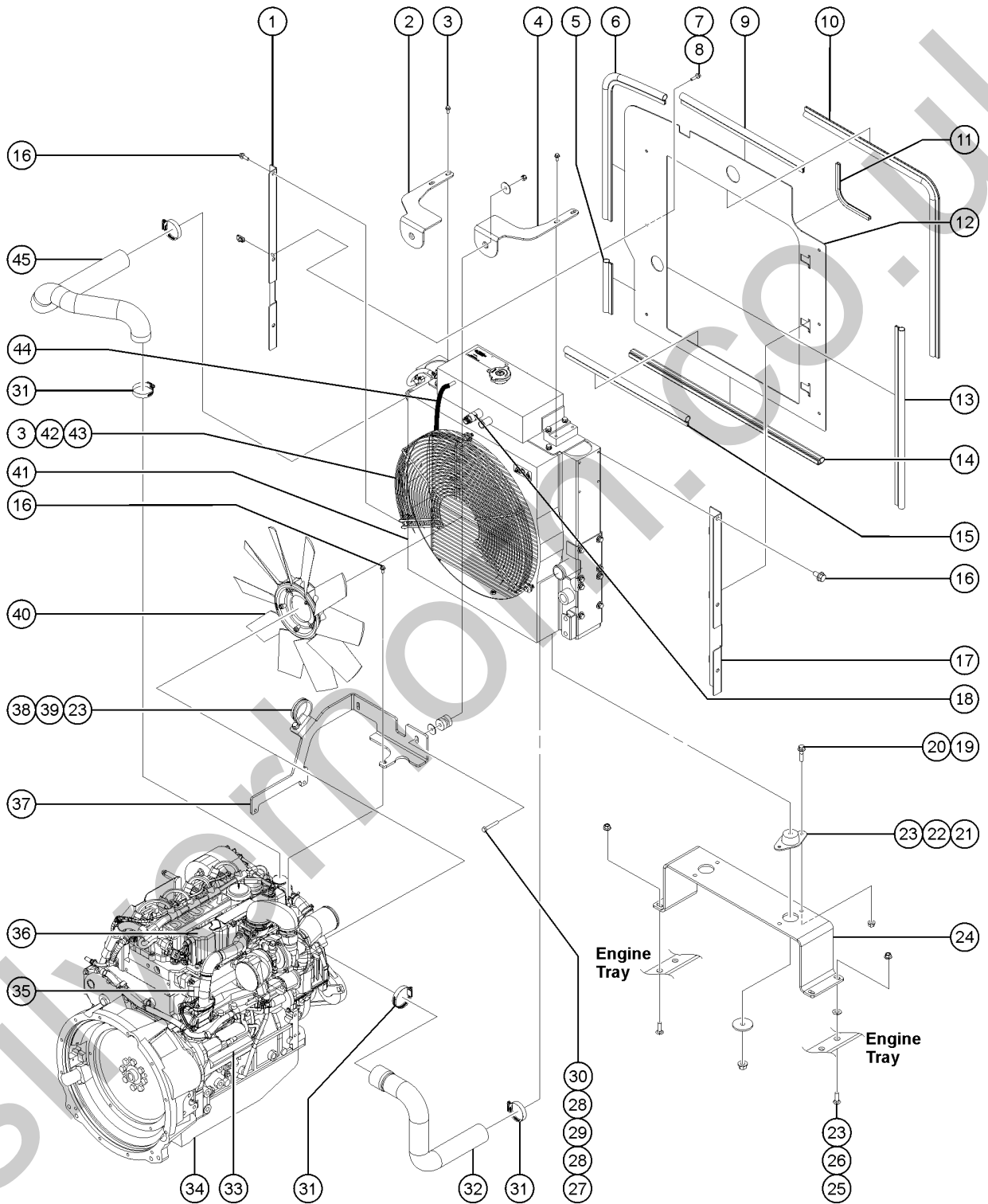
Item	Part No.	Description	Qty.
27	25548GT	SCREW,HHC,M10 X 40MM,GRD8	8
28		Ref. FILTER, DEUTZ 2.9, FUEL	1
		(refer to 507.1)	
29	822641GT	FORMING,FILTER MOUNT,TD2.9	1
30		Ref. LIFT PUMP,FUEL,DEUTZ	1
		(refer to 507.1)	
31	824079GT	SCREW,HHF,1/4-20X1,8,ZAG	1
32	13268GT	CLAMP,0.75,#12 X 1/4,RUB CUSH	1
33	824027GT	NUT, TL FLG, 1/4-20, G, ZAG	3
34		Ref. ASSY,FUEL PREFILTER,DEUTZ 2.9	1
		(refer to 507.1)	
35	824124GT	BOLT, CARRIAGE, 1/4-20 X .75, 5, ZAG	2
36	1255803GT	NUT,TL FLG,8-32,F,ZAG	2
37	824987GT	RELAY,STARTER,DEUTZ	1
38	229993GT	CIRCUIT BREAKER, 30AMP	1
39	123677GT	CIRCUIT BREAKER BOOT	1
40	1253490GT	SCREW,PHPM,8-32 X .75,ZAG	2
41	826001GT	SCREW,HHF,M6-1.0X10,DIN6921,10.9,ZAB	4
42	1261341GT	PLATE,COVER,FLYWHEEL HOUSING	1
43	824146GT	WASHER, FLAT, DIN125, M12, ZAB	3
44	1257993GT	CLAMP, .875, #14 X .531, RUB CUSH	2
45	22558GT	SCREW,HHC,M14 X 40MM,GR 8.8	3
46	49411GT	WASHER,FLAT,M14	3
47	824090GT	SCREW,HHF,3/8-16X1,8,ZAG	4
48	161992GT	WELDMENT,ENGINE MNT,OUT,TD2.9	1
49	826377GT	ASSEMBLY,OIL DRAIN VALVE KIT	1
49-	1702GT	HOSE-HEATER,5/8 ID-BLACK	24
49-	19273GT	CLAMP,HOSE,.75 **	
49-	216745GT	ELBOW, OIL DRAIN VALVE	
49-	826378GT	VALVE,OIL DRAIN,DEUTZ	
50	825708GT	DIPSTICK,TD2.9	1

503.1 Deutz 2.9TD T4 Engine, View 3



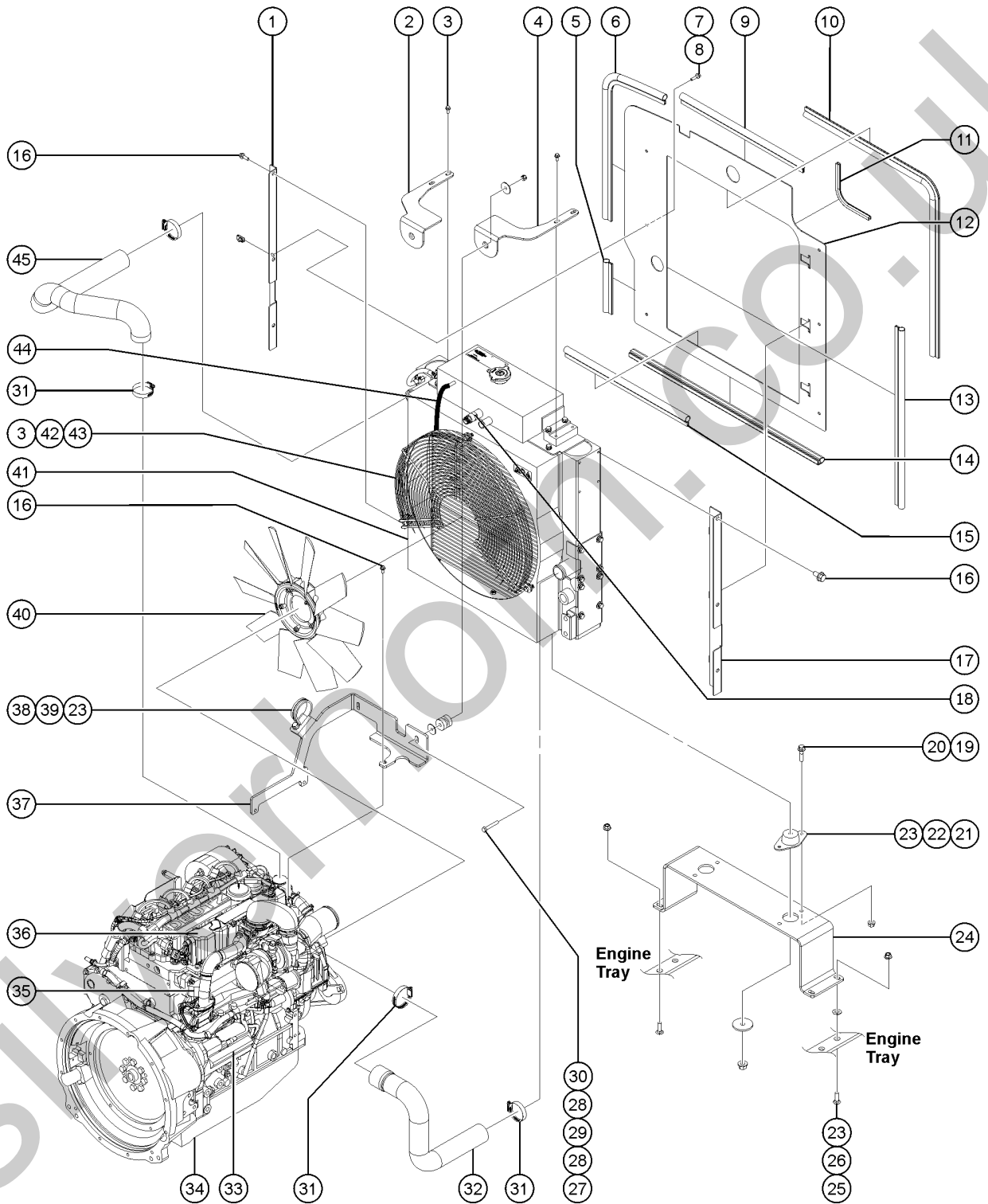
Item	Part No.	Description	Qty.
51	824673GT	SENSOR,LOW PRESSURE,DEUTZ 2.9L	1
52	49924GT	FILTER,OIL,DEUTZ	1
53	825704GT	MAIN DRIVE BELT,TD2.9	1
54	1252028GT	ENGINE PULLEY SET,MAIN,TD2.9	1
55	825700GT	RADIATOR FAN SPACER,TD2.9	1
56	1262867GT	V-BELT, DEUTZ	1
57	825689GT	ALTERNATOR,95AMP,TD2.9	1
58	825712GT	WATER PUMP,TD2.9	1
59	825695GT	VALVE COVER,TD2.9	1
59-	825696GT	VALVE COVER GASKET,TD2.9	
60	822505GT	TURBO,TD2.9	1
61	1278206GT	SENSOR,FUEL,HIGH PRESSURE,DEUTZ TD 2.9-3.6	1
62	1254975GT	FORMING,TRANSMISSION MOUNT,RT	1

504.1 Deutz 2.9TD T3 Engine, View 1



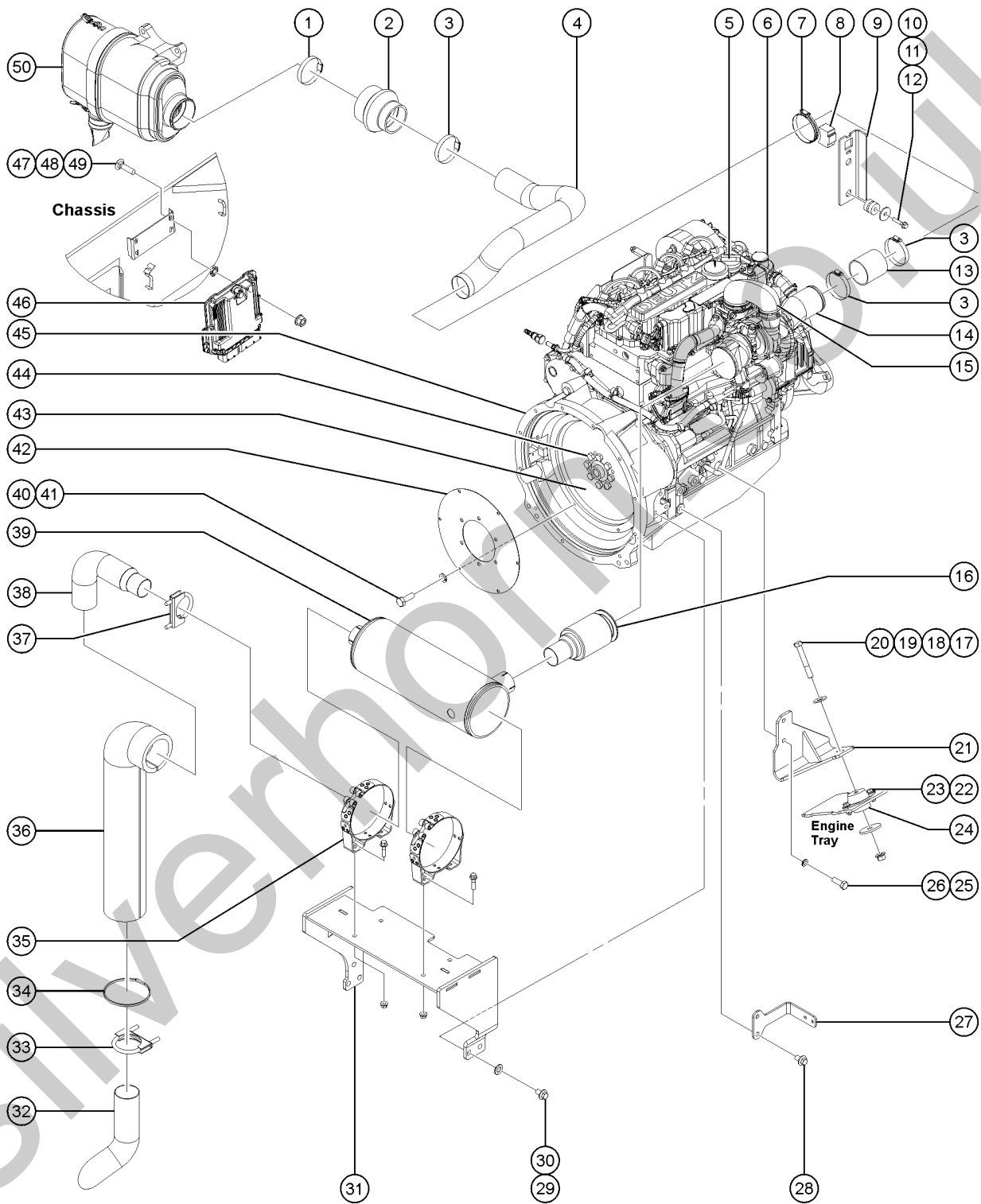
Item	Part No.	Description	Qty.
1	822494GT	FORMING,BAFFLE MNT,OUT,TD2.9	1
2	822637GT	WELDMENT,RAD SPRT,OUT,TD2.9	1
3	824132GT	SCREW,HHF,M8-1.25X20,DIN6921,10.9,ZAB	9
4	822636GT	WELDMENT,RAD SPRT,IN,TD2.9	1
5	119219GT	TRIM,EDGE,1/8X3/4 END BULB	7
6	119219GT	TRIM,EDGE,1/8X3/4 END BULB	28
7	824079GT	SCREW,HHF,1/4-20X1,8,ZAG	3
8	56912GT	SPRING CLIP,1/4-20,.025-.15X.54,ZAG	3
9	119219GT	TRIM,EDGE,1/8X3/4 END BULB	16
10	119219GT	TRIM,EDGE,1/8X3/4 END BULB	43
11	46718GT	TRIMLOCK,BLACK,3/16	9
12	822495GT	PLATE,RADIATOR BAFFLE,TD2.9	1
13	119219GT	TRIM,EDGE,1/8X3/4 END BULB	22
14	81476GT	TRIMLOCK, 1/16	30
15	119219GT	TRIM,EDGE,1/8X3/4 END BULB	19
16	1251983GT	SCREW,HHF,M8-1.25X16,DIN6921,10.9,ZAB	3
17	822493GT	FORMING,BAFFLE MNT,IN,TD2.9	1
18	218715GT	COOLNT LEVL SENSR, DEUTZTCD3.6	1
		This part is used on other engine models	
18-	1273075GT	SEALING WASHER	
19	824086GT	SCREW, HHF, 5/16-18 X 1, 8, ZAG	4
20	824028GT	NUT,TL FLG,5/16-18,G,ZAG	4
21	T114350GT	ISOLATOR,RADIATOR,PERKINS	2
22	824120GT	WASHER, FLAT, .375 X 1.50 X .125, ZAG	2
23	824029GT	NUT,TL FLG,3/8-16,G,ZAG	7
24	822501GT	FORMING,RAD. SUPPORT,TD2.9	1
25	1255757GT	BOLT,CARRIAGE,3/8-16X1.25,5,ZAG	4
26	87684GT	PUSHRETAINER FOR 3/8"THRD SCREW	4
27	67349GT	SCREW,HHC,M8 X 50	2

504.1 Deutz 2.9TD T3 Engine, View 1



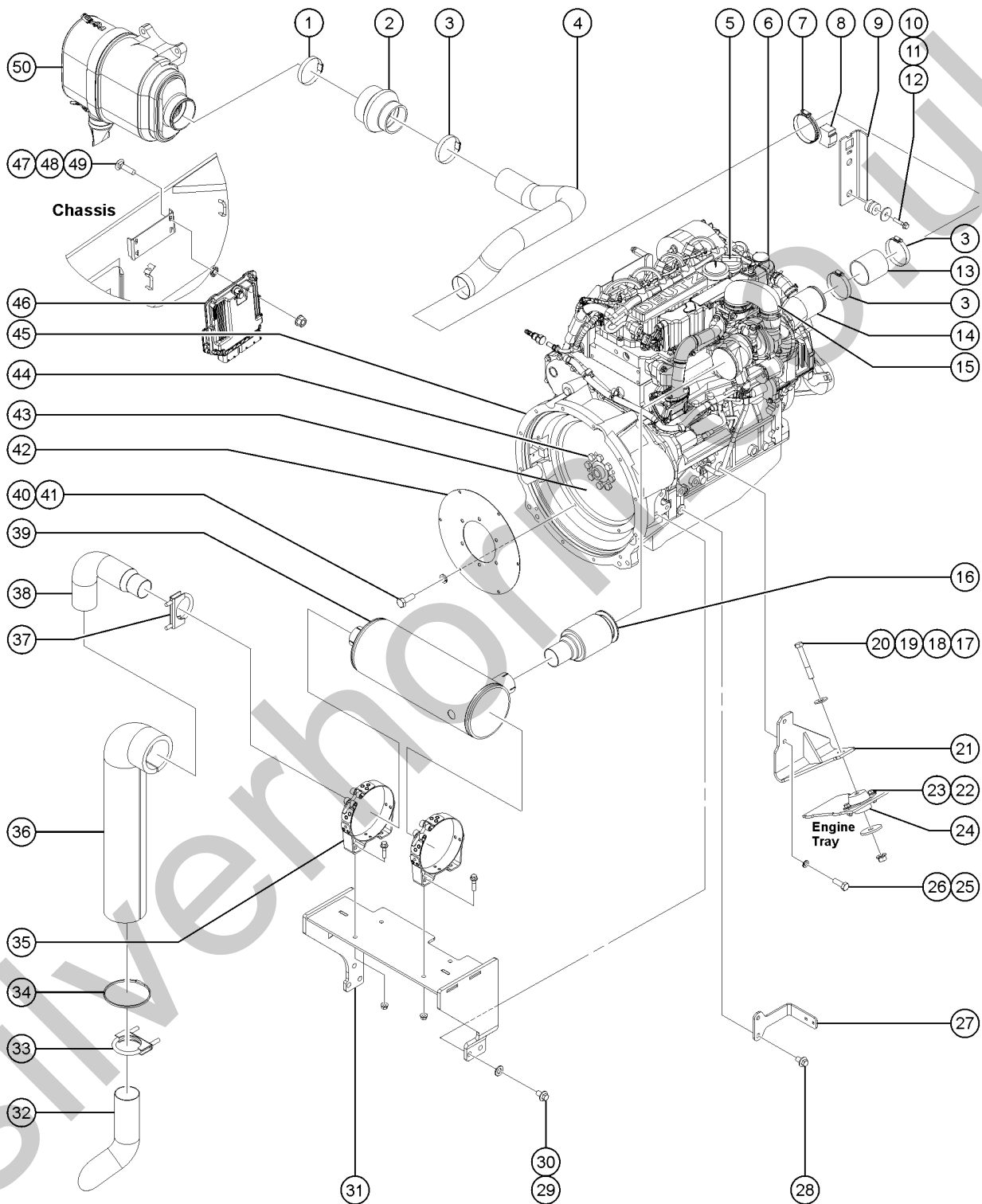
Item	Part No.	Description	Qty.
28	823059GT	WASHER,SNUBBING,M8	4
29	236334GT	ISOLATOR,UP RADIATOR SUPPORT	2
30	25368GT	NUT,NYLOCK,M8X1.25	2
31	13014GT	CLAMP,HOSE,2.25" DIA.	4
32	161994GT	HOSE,RADIATOR,LOW,TD2.9,GTH	1
33	1254594GT	STARTER,3.2KW,DEUTZ D2.9	1
34	825709GT	OIL PAN,TD2.9	1
35	825706GT	EXHAUST MANIFOLD,TD2.9	1
36	822507GT	MANIFOLD,INTAKE,TD2.9	1
37	822496GT	FORMING,UP RAD. SPRT,ENG,TD2.9	1
38	824090GT	SCREW,HHF,3/8-16X1,8,ZAG	1
39	87188GT	CLAMP,2.38,#38 X 3/8 RUB CUSH	1
40	1257036GT	FAN,RADIATOR,TD2.9,495MM,10 BLADE	1
41	1282634GT	COOLER PACKAGE,RAD,TD2.9,GTH	1
41	218714GT	CAP,RADIATOR,DEUTZ TCD3.6	1
41-	1282629GT	HOSE,RADITAOR,COOLANT,3/ 4"ID,11.5"CUT PC,75 PSI	
41-	1282636GT	FITTING,PIPE,BARBED,M16 x 1.5-6G x3/ 4"HoseID	
41-	36208GT	CLAMP,HOSE,1.25***	
42	1255758GT	WASHER,FLAT,3/8,USS,ZAG	5
43	1282635GT	GUARD,FAN,5 BOLTS,TD2.9	1
44	1279744GT	HOSE,COOLANT,5/16" DIA,12"	1
44-	44909GT	CLAMP,HOSE,.25	
45	161993GT	HOSE,RADIATOR,UPR,TD2.9,GTH	1

505.1 Deutz 2.9TD T3 Engine, View 2



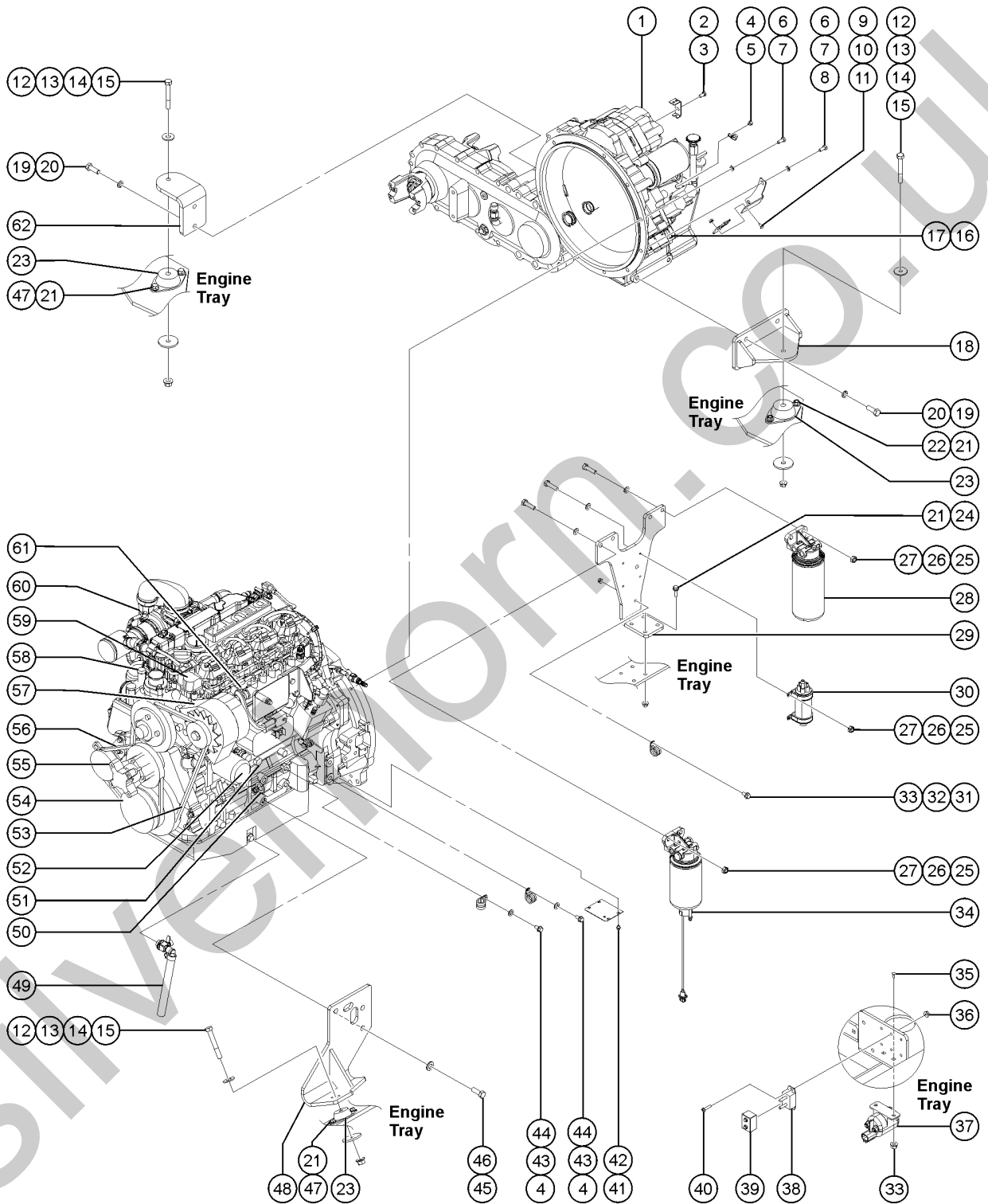
Item	Part No.	Description	Qty.
1	1261461GT	CLAMP,HOSE,CT,SAE 412,3-1/4" TO 4-1/8"	1
2	825560GT	REDUCER,HUMP HOSE,3.5"-2.75"	1
3	1261460GT	CLAMP,HOSE,CT,SAE 48,2-9/16"	3
4	161995GT	PIPE,TURBO INLET,TD2.9,GTH	1
5	1257352GT	CAP,OIL FILLER,TCD 3.6,T4F	1
6	825697GT	THERMOSTAT HOUSING,TD2.9	1
6-	825698GT	THERMOSTAT HOUSING GASKET,TD2.9	
7	30489GT	CLAMP,HOSE,3.50	1
8	1262811GT	SPACER, SUPPORT, AIR INTAKE	1
9	1262810GT	FORMING, SUPPORT, AIR INTAKE	1
10	237820GT	SCREW,HHF,M8X40,DIN6921,8.8,YZ	2
11	824120GT	WASHER, FLAT, .375 X 1.50 X .125, ZAG	2
12	1262812GT	ISOLATOR,UNIV MOUNT,.39IDX	2
13	825561GT	CONNECTOR,HOSE,2.75"	1
14	825511GT	TURBO INLET,TD2.9	1
15	822508GT	ELBOW,INTAKE,TD2.9	1
16	1253892GT	PIPE,EXHAUST,TURBO OUT,TD2.9,ROW	1
17	1256287GT	SCREW,HHC,1/2-13X3.5,8,ZAG	1
18	1255760GT	WASHER,FLAT,1/2,USS,ZAG	1
19	1256283GT	WASHER,FLAT,.5X2.25X.188,ZAG	1
20	1251997GT	NUT,TL,FLG,1/2-13,G,ZAG	1
21	161991GT	WELDMENT,ENGINE MNT,IN,TD2.9	1
22	824090GT	SCREW,HHF,3/8-16X1,8,ZAG	2
23	824029GT	NUT,TL FLG,3/8-16,G,ZAG	2
24	822621GT	ISOLATOR,ENGINE,570LB MAX	1
25	22558GT	SCREW,HHC,M14 X 40MM,GR 8.8	2
26	49411GT	WASHER,FLAT,M14	2
27	1252678GT	FORMING, BATTERY CABLE MOUNT	1

505.1 Deutz 2.9TD T3 Engine, View 2



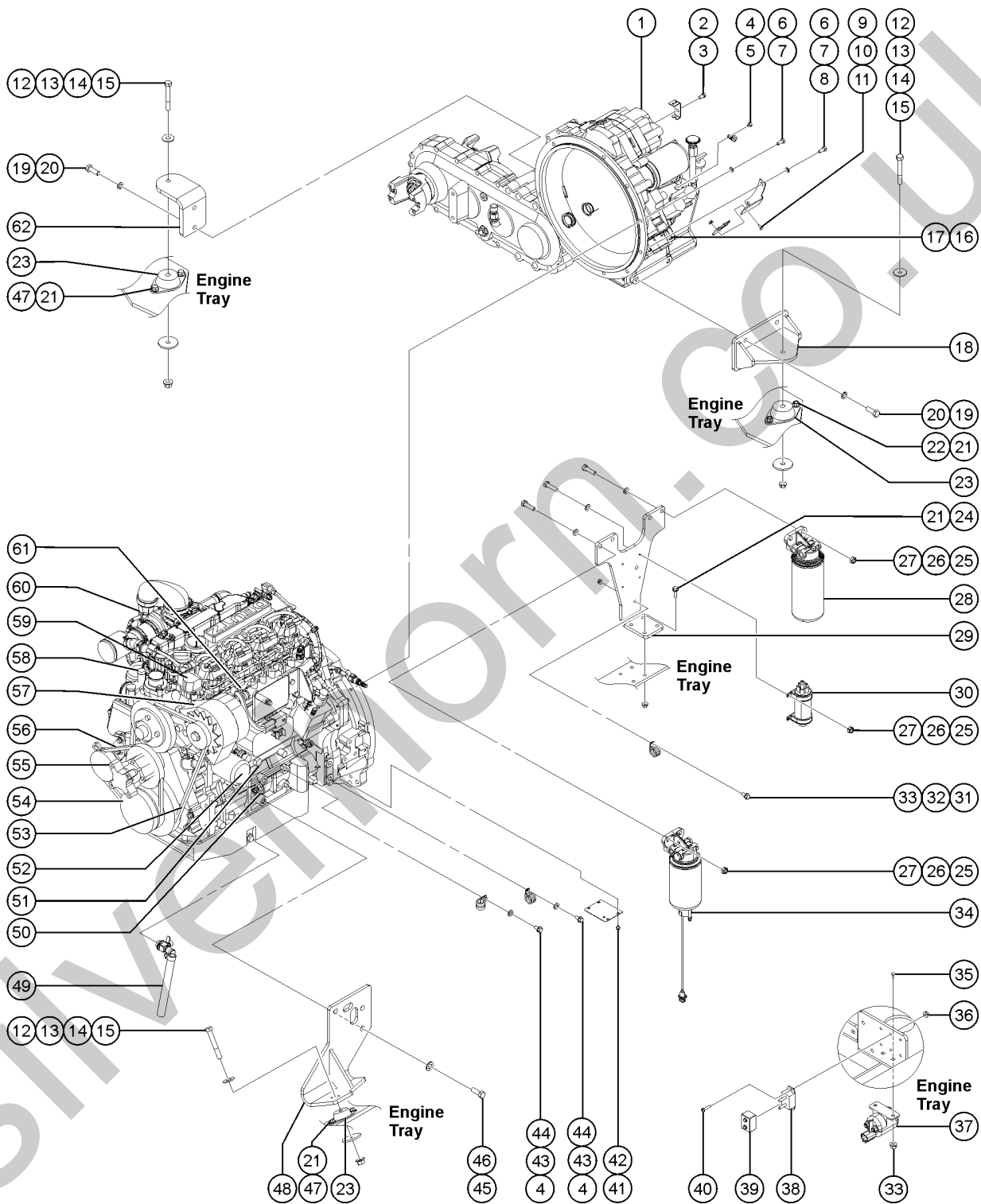
Item	Part No.	Description	Qty.
28	1255806GT	SCREW,HHF,M12-1.75X20,DIN6921,10.9,ZAB	2
29	1278087GT	SCREW,HHC,M12-1.75X25,DIN933,10.9	5
31	1254079GT	WELDMENT,MUFFLER MOUNT,TD2.9,ROW	1
32	825006GT	TAILPIPE,TD2.9,T4,GTH-636	1
33	71911GT	CLAMP,MUFFLER, 2.50 INCH	1
34	1257664GT	THERMAL TIE,3/16x20"L	6
35	1254073GT	CLAMP,MUFFLER MOUNT,TD2.9 ROW	2
36	1257663GT	WRAP,HEAT SHIELD,11"X30"	1
36-	234961GT	TUBE,EXHAUST,FLEX-PIPE,2.5"ID X 12"L	
36-	234962GT	CLAMP,EXHAUST,2.5"	
37	30438GT	CLAMP,MUFFLER,2 1/4" ID.	1
38	1252750GT	ELBOW,MUFFLER OUTLET,TD2.9 ROW	1
39	1252742GT	MUFFLER,TD2.9 ROW	1
40	1256464GT	SCREW,HHC,5/16-18X.75,8,ZAG	6
41	1255764GT	WASHER,LOCK,5/16,ZAG	6
42	1263050GT	ASSEMBLY KIT,FLEXPLATE,DEUTZ	1
43	822509GT	FLYWHEEL,TD2.9,GTH-636	1
44	1252048GT	BOLT,FLYWHEEL MOUNT,TD2.9	8
45	1261340GT	FLYWHEEL HOUSING,SAE 3,TD2.9	1
46	214795GT	ECM, DEUTZ	1
47	1256127GT	BOLT,CARRIAGE,1/4-20X1",GR 5,ZAG	4
48	105633GT	PUSHRETAINER FOR 1/4"THD SCREW	4
49	824027GT	NUT, TL FLG, 1/4-20, G, ZAG	4
50		REF. FILTER,AIR,M+H IQORON V7	1
		(refer to 204.1)	

506.1 Deutz 2.9TD T3 Engine, View 3



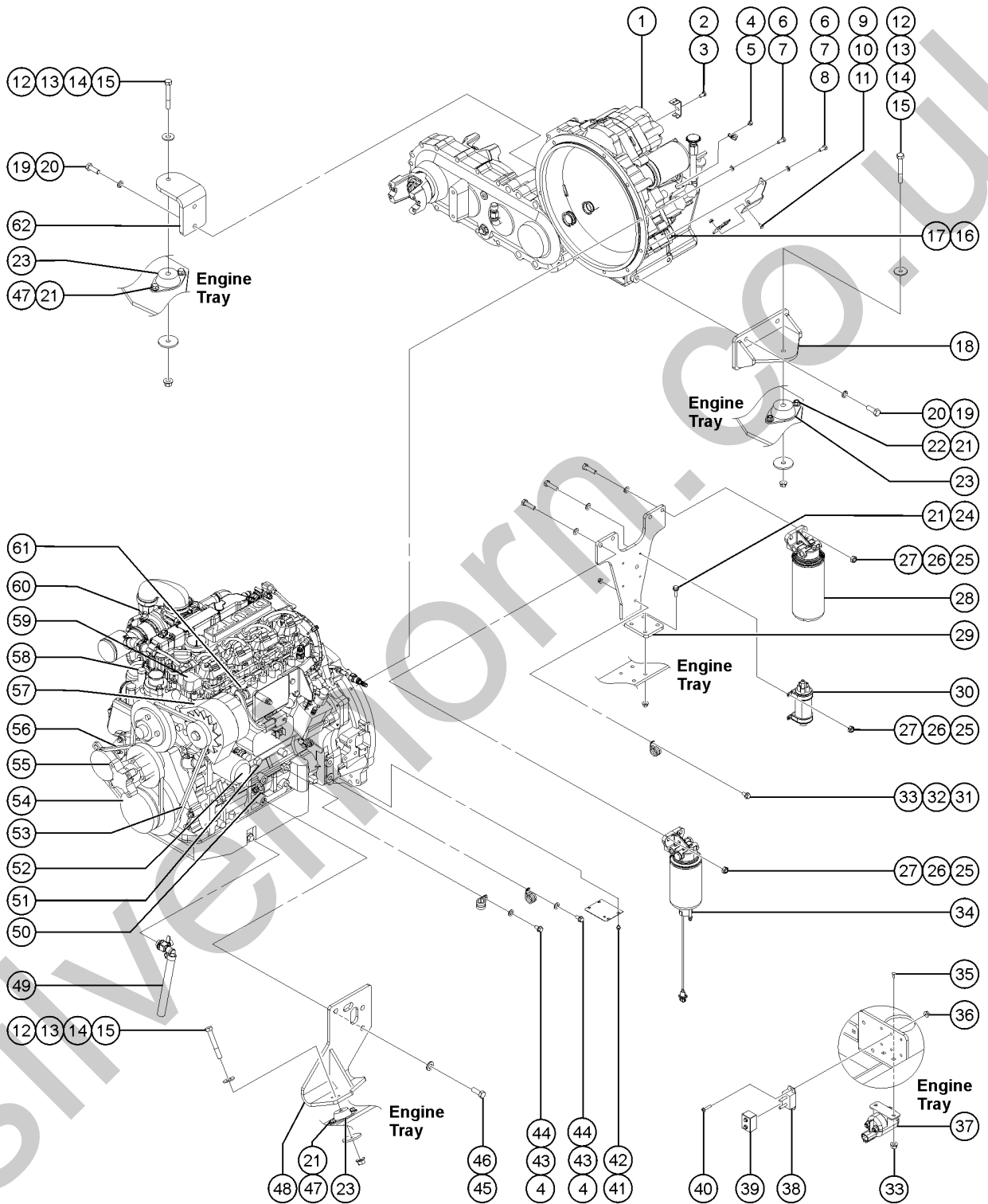
Item	Part No.	Description	Qty.
A	229675GT	SWITCH,TEMP,NO,250F,1/4-18NPTF	1
1	823009GT	ASSY,TRANS,DANA VDT DTZ FP,636	1
1-	7-126-349GT	TRANSMISSION OIL FILTER	1
2	1255807GT	SCREW,HHF,M16-2.0X30,DIN6921,1	1
3	1255000GT	FORMING,TRANS HARNESS MOUNT	1
4	1255806GT	SCREW,HHF,M12-1.75X20,DIN6921,10.9,ZAB	4
5	214537GT	CLAMP,1.00,#16 X 5/8,RUB CUSH	1
6	1256284GT	SCREW,HHC,M10-1.5X30,DIN933,10.9,ZAB	10
7	824142GT	WASHER,LOCK,M10,ZAB	10
8	1257213GT	FORMING, CONNECTOR MOUNT	1
9	1256282GT	BOLT,CARRIAGE,10-24X.5,5,ZAG	1
10	229987GT	CLIP,METAL MOUNT RECEP DEUTSCH	1
11	1274170GT	NUT, NYLOCK, 10-24, A, ZAG	1
12	1256287GT	SCREW,HHC,1/2-13X3.5,8,ZAG	3
13	1255760GT	WASHER,FLAT,1/2,USS,ZAG	3
14	1256283GT	WASHER,FLAT,.5X2.25X.188,ZAG	3
15	1251997GT	NUT,TL,FLG,1/2-13,G,ZAG	3
16	229989GT	SWITCH PRESSURE NC, 150PSI	1
17	141650GT	ADAPTER,04 FORB X02 MP	1
18	1254977GT	WELDMENT,TRANSMISSION MOUNT,LT	1
19	1256285GT	SCREW,HHC,M12-1.75X35,DIN933,10.9,ZAB	6
20	1256286GT	WASHER,LOCK, M12,ZAB	6
21	824029GT	NUT,TL FLG,3/8-16,G,ZAG	8
22	824125GT	BOLT,CARRIAGE,3/8-16X1.5,ZAG	2
23	822621GT	ISOLATOR,ENGINE,570LB MAX	3
24	824092GT	SCREW, HHF, 3/8-16 X 1.5, 8, ZAG	2
25	22736GT	NUT,NYLOCK,M10X1.50	8
26	22699GT	WASHER, FLAT, M10, ZINC PLTD.	8

506.1 Deutz 2.9TD T3 Engine, View 3



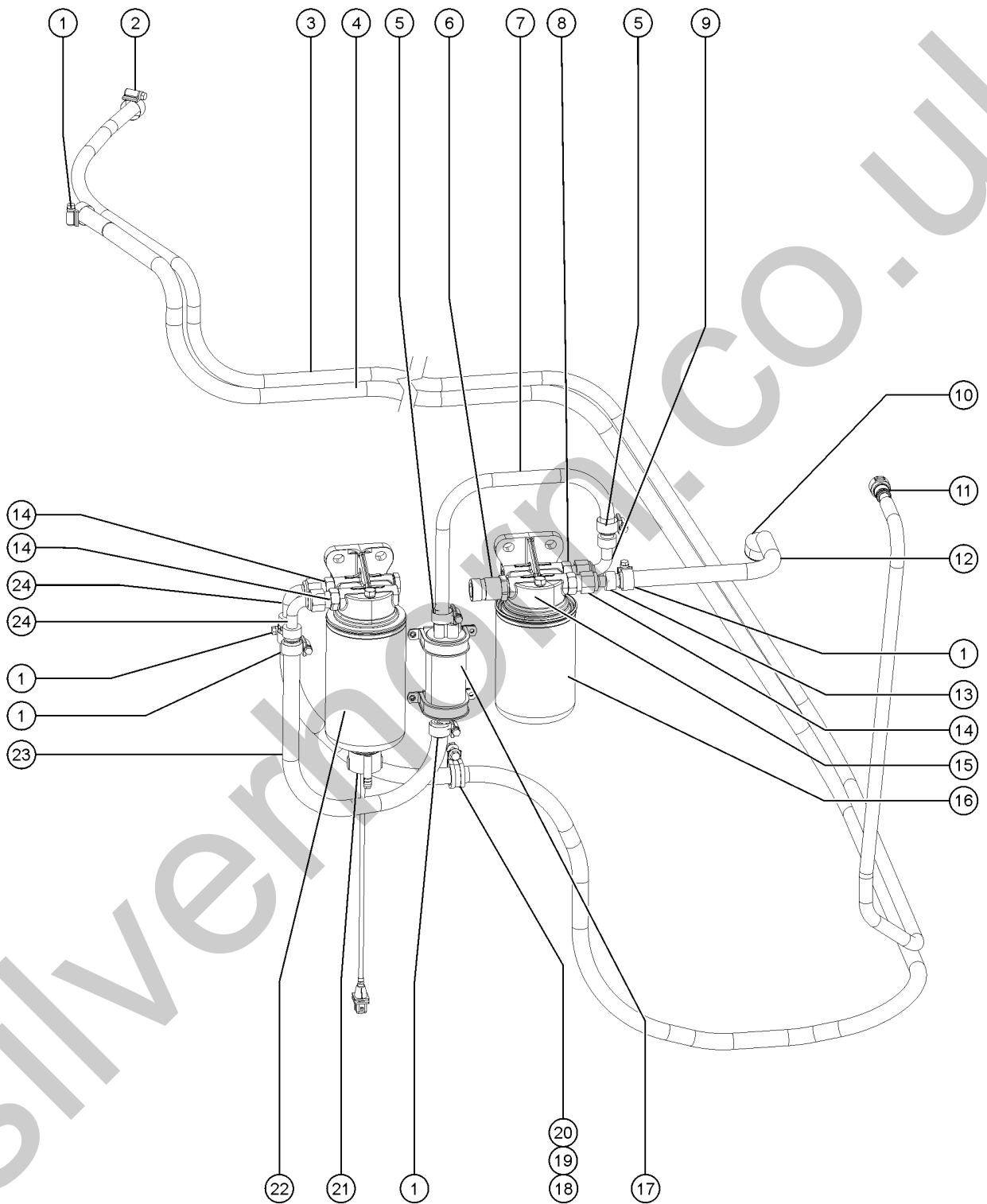
Item	Part No.	Description	Qty.
27	25548GT	SCREW,HHC,M10 X 40MM,GRD8	8
28		REF. FILTER, DEUTZ 2.9, FUEL (refer to 507.1)	1
29	822641GT	FORMING,FILTER MOUNT,TD2.9	1
30		REF. LIFT PUMP,FUEL,DEUTZ (refer to 507.1)	1
31	824079GT	SCREW,HHF,1/4-20X1,8,ZAG	1
32	13268GT	CLAMP,0.75,#12 X 1/4,RUB CUSH	1
33	824027GT	NUT, TL FLG, 1/4-20, G, ZAG	3
34		REF. ASSY,FUEL PREFILTER,DEUTZ 2.9 (refer to 507.1)	1
35	824124GT	BOLT, CARRIAGE, 1/4-20 X .75, 5, ZAG	2
36	1255803GT	NUT,TL FLG,8-32,F,ZAG	2
37	824987GT	RELAY,STARTER,DEUTZ	1
38	229993GT	CIRCUIT BREAKER, 30AMP	1
39	123677GT	CIRCUIT BREAKER BOOT	1
40	1253490GT	SCREW,PHPM,8-32 X .75,ZAG	2
41	826001GT	SCREW,HHF,M6-1.0X10,DIN6921,10.9,ZAB	4
42	1261341GT	PLATE,COVER,FLYWHEEL HOUSING	1
43	824146GT	WASHER, FLAT, DIN125, M12, ZAB	3
44	1257993GT	CLAMP, .875, #14 X .531, RUB CUSH	2
45	22558GT	SCREW,HHC,M14 X 40MM,GR 8.8	3
46	49411GT	WASHER,FLAT,M14	3
47	824090GT	SCREW,HHF,3/8-16X1,8,ZAG	4
48	161992GT	WELDMENT,ENGINE MNT,OUT,TD2.9	1
49	826377GT	ASSEMBLY,OIL DRAIN VALVE KIT	1
49-	1702GT	HOSE-HEATER,5/8 ID-BLACK	24
49-	19273GT	CLAMP,HOSE,.75 **	
49-	216745GT	ELBOW, OIL DRAIN VALVE	
49-	826378GT	VALVE,OIL DRAIN,DEUTZ	
50	825708GT	DIPSTICK,TD2.9	1

506.1 Deutz 2.9TD T3 Engine, View 3



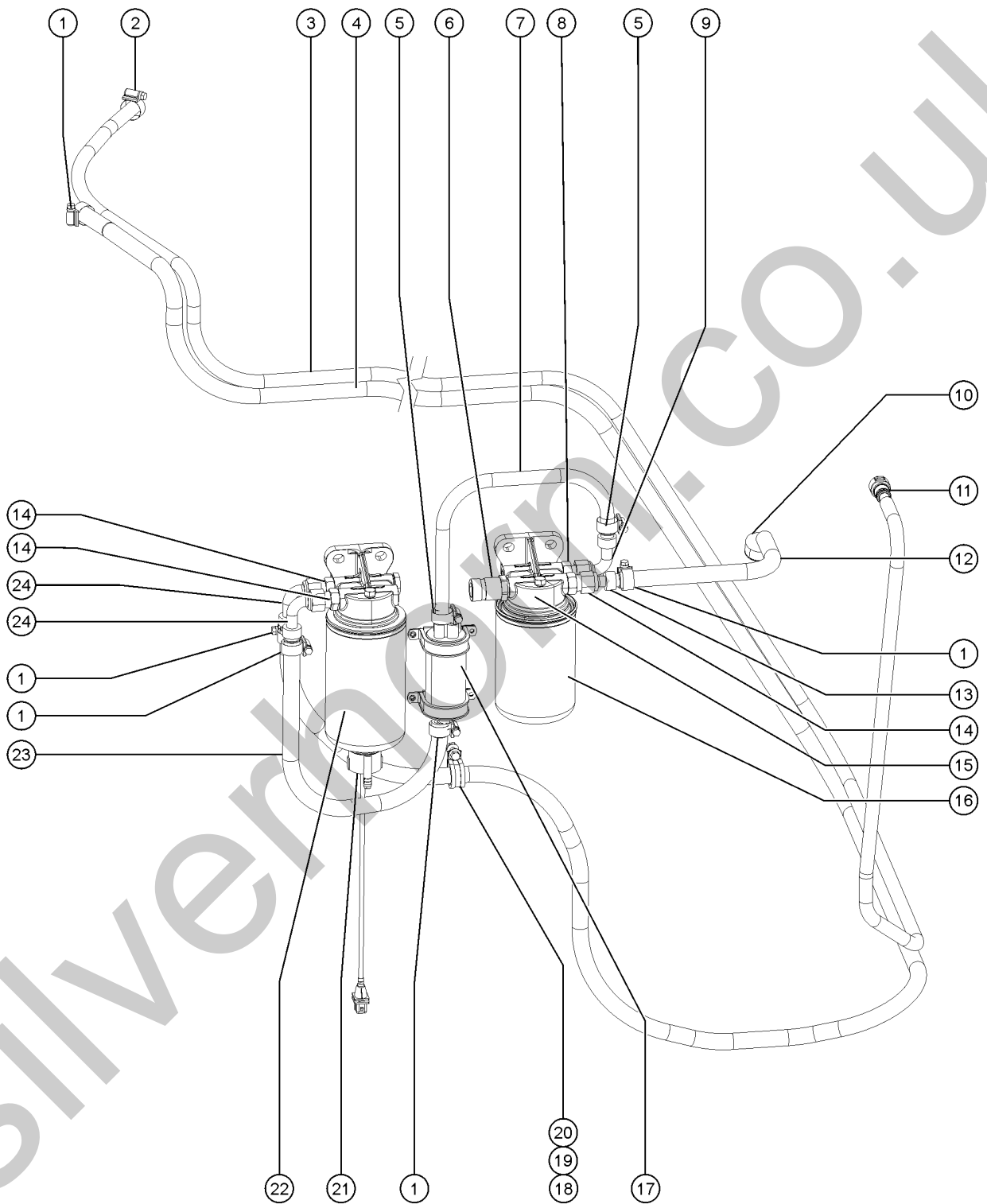
Item	Part No.	Description	Qty.
51	824673GT	SENSOR,LOW PRESSURE,DEUTZ 2.9L	1
52	49924GT	FILTER,OIL,DEUTZ	1
53	825704GT	MAIN DRIVE BELT,TD2.9	1
54	1252028GT	ENGINE PULLEY SET,MAIN,TD2.9	1
55	825700GT	RADIATOR FAN SPACER,TD2.9	1
56	1262867GT	V-BELT, DEUTZ	1
57	825689GT	ALTERNATOR,95AMP,TD2.9	1
58	825712GT	WATER PUMP,TD2.9	1
59	825695GT	VALVE COVER,TD2.9	1
59-	825696GT	VALVE COVER GASKET,TD2.9	1
60	822505GT	TURBO,TD2.9	1
61	1278206GT	SENSOR,FUEL,HIGH PRESSURE,DEUTZ TD 2.9-3.6	1
62	1254975GT	FORMING,TRANSMISSION MOUNT,RT	1

507.1 Deutz Fuel Assembly



Item	Part No.	Description	Qty.
1	19273GT	CLAMP,HOSE,.75 **	5
2	44909GT	CLAMP,HOSE,.25	1
3	823420-1772GT	HOSE,FUEL,3/8,GATES RLA 60"	125
4	823421GT	HOSE,FUEL,1/2,GATES RLA	133
4B	48773GT	SLEEVE,NYLON,.86 ID	21
4-	28443GT	CABLE TIE, 11.5" BLACK	
5	46131GT	CLAMP,HOSE,.63"-1.0"X .5"	2
6	824673GT	SENSOR,LOW PRESSURE,DEUTZ 2.9L	1
6-	1261238GT	SEAL,FUEL PRESSURE SNSR,DEUTZ 2.9	
7	823420-1772GT	HOSE,FUEL,3/8,GATES RLA 60"	16
7B	48773GT	SLEEVE,NYLON,.86 ID	15
7-	28443GT	CABLE TIE, 11.5" BLACK	
8	162208GT	FITTING,CONN,16MM-6MJ	1
9	1253642GT	ELBOW,90DEG,3/8" HOSE BARB	1
10	1258922GT	CONNECTOR,SAE12,QUICK CONNECT	1
11	826000GT	CONNECTOR, SAE10, QUICK CONNECT	1
12	823421GT	HOSE,FUEL,1/2,GATES RLA	16
12-	1266132GT	SLEEVE,NYLON,1.42 ID,15 LONG	
12-	28443GT	CABLE TIE, 11.5" BLACK	
13	1253643GT	FITTING,STRAIGHT,1/2" HOSE BARB	1
14	162209GT	FITTING,CONN,16MM-8MJ	3
15	1261236GT	ASSY,FUEL FILTER,DEUTZ 2.9 (includes head and filter)	1
16	214228GT	FILTER, FUEL SPIN-ON, DEUTZ	1
17	236259GT	LIFT PUMP,FUEL,DEUTZ TCD3.6	1
18	824079GT	SCREW,HHF,1/4-20X1,8,ZAG	1
19	13268GT	CLAMP,0.75,#12 X 1/4,RUB CUSH	1
20	824027GT	NUT, TL FLG, 1/4-20, G, ZAG	1
21	1261240GT	CABLE,WIF SENSOR,DEUTZ 2.9	1

507.1 Deutz Fuel Assembly

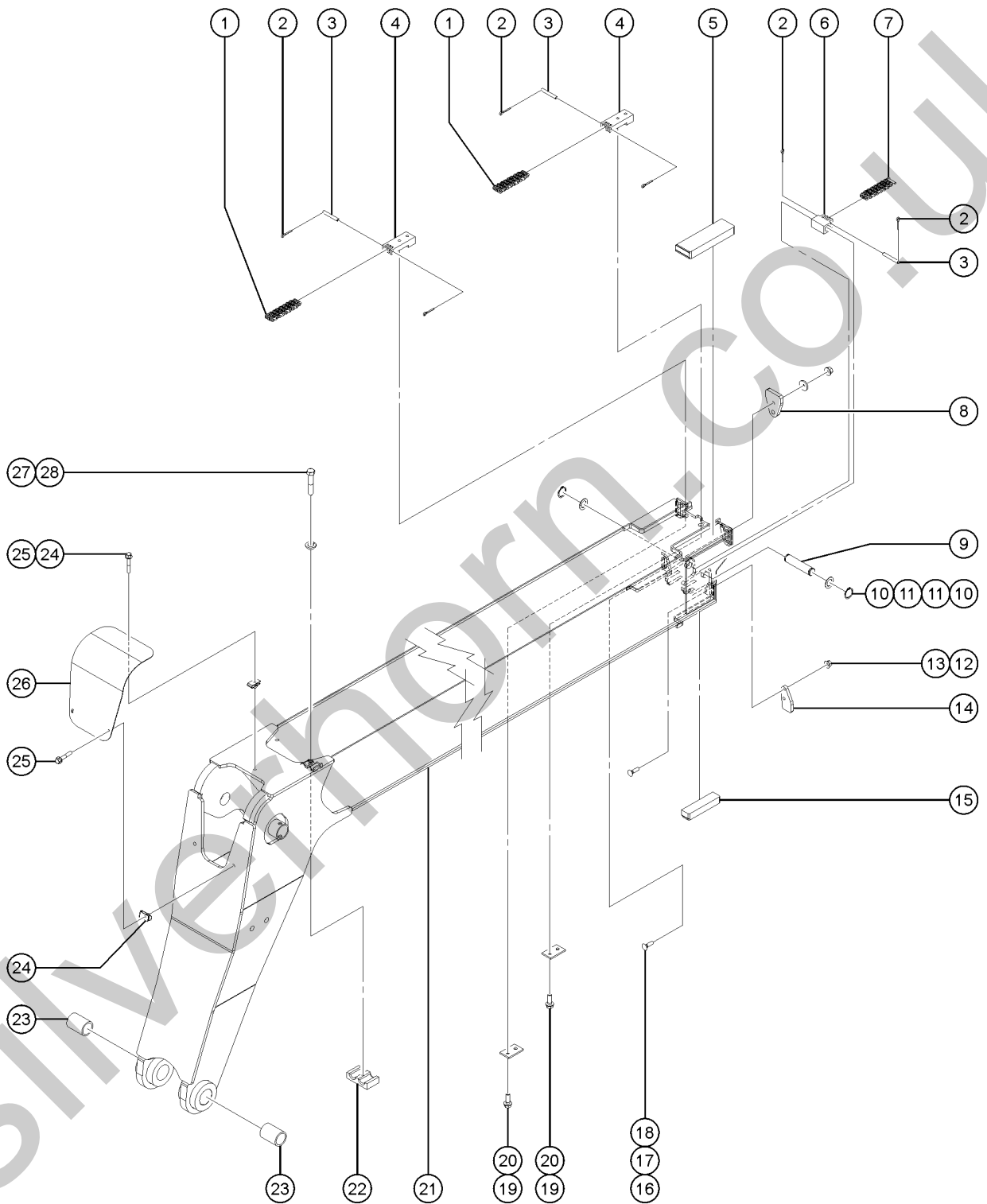


507.1 Deutz Fuel Assembly

Item	Part No.	Description	Qty.
22	1261239GT	ASSY,FUEL PREFILTER,DEUTZ 2.9	1
22-	236260GT	FILTER, FUEL PRE-FILTER, SPIN-ON, DEUTZ	
22-	1261241GT	SEAL,WIF SENSOR,DEUTZ 2.9	
23	823421GT	HOSE,FUEL,1/2,GATES RLA	18
23B	48773GT	SLEEVE,NYLON,.86 ID	17
23-	28443GT	CABLE TIE, 11.5" BLACK	
24	1253641GT	ELBOW,90DEG,1/2" HOSE BARB	2

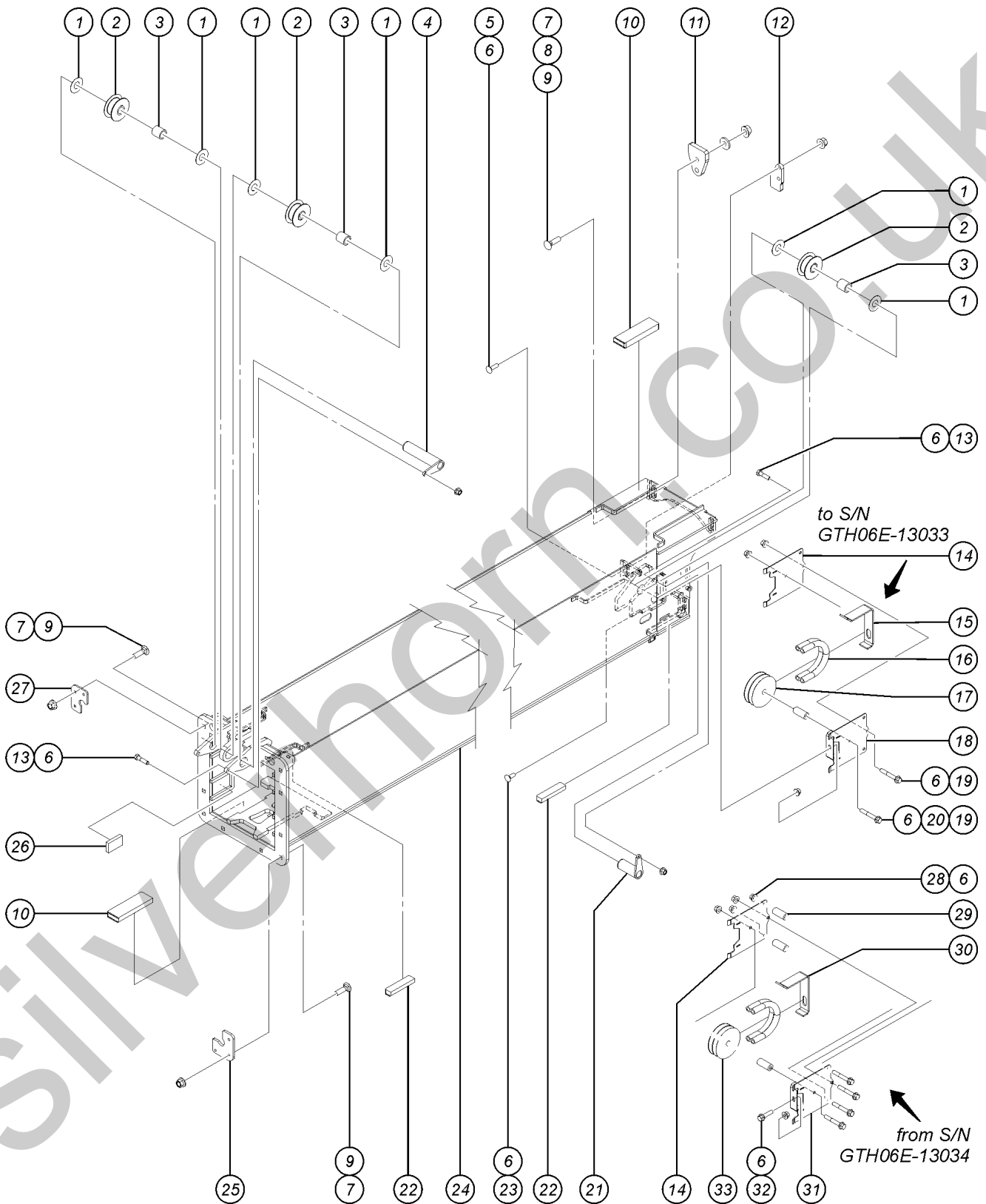
Silverhorn.CO.UK

601.1 Small Boom Assembly



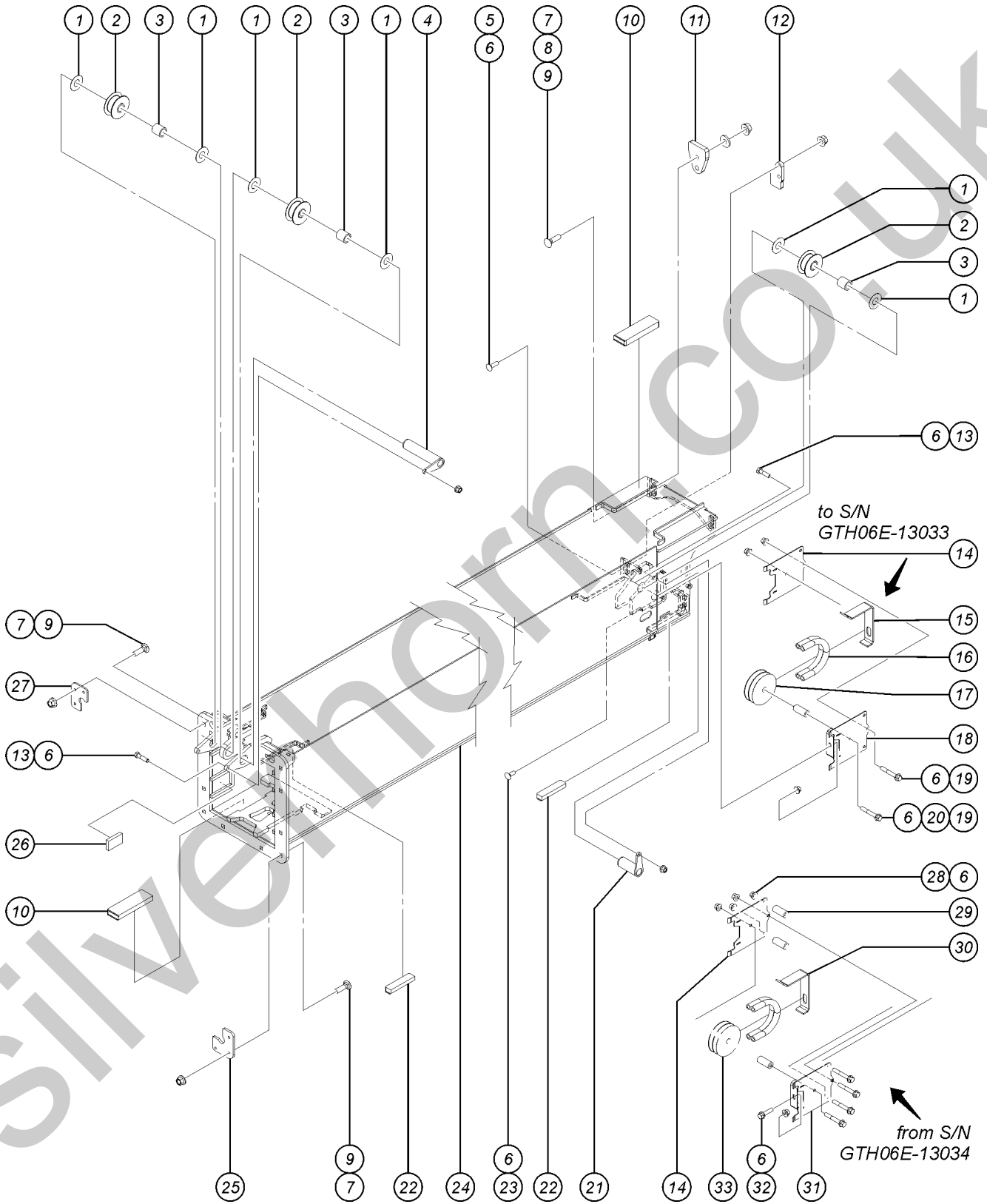
Item	Part No.	Description	Qty.
1	5-2040-223GT	LEAF CHAIN, BL-666, 223 PITCH	2
2	6-6243-06GT	COTTER PIN, 3/32 X 3/4 LG	6
3	235637GT	PIN, CHAIN ANCHOR, .3115X2.27	3
4	117780GT	ANCHOR,CHAIN,STEPPED,BL666	2
5	141707GT	WEAR PAD, 10X3.3 X 1.3125	2
6	130872GT	CHAIN ANCHOR,PINNED,BL-666	1
7	826233GT	CHAIN, BL666, (169 PITCH)	1
8	1278701GT	PLATE, RETAIN, WEAR PAD RR UPPER	2
9	79579GT	PIN,1.00DIA X 4.51LG,2RING	1
10	1253843GT	SNAP RING,EXTERNAL,1.00,ZAG	2
11	1256119GT	WASHER,SHIM,1.01X1.63X.062,ZAG	2
12	824029GT	NUT,TL FLG,3/8-16,G,ZAG	4
13	1255757GT	BOLT,CARRIAGE,3/8-16X1.25,5,ZAG	4
14	1278881GT	PLATE,RETAIN WPAD RR LOW	2
15	141708GT	WEARPAD, 7.0 X 1.686 X 1.2225	2
16	1256115GT	BOLT,CARRIAGE,1/2-13X1.75,5,ZAG	4
17	141745GT	WASHER,HARDEND 1.375X.531X.177	4
18	1251997GT	NUT,TL,FLG,1/2-13,G,ZAG	4
19	1253498GT	SCREW,HHF,1/2-13X1.5,8,ZAG	4
20	1254025GT	PLATE,CHAIN ANCHOR POINT	2
21	826049GT	WELDMENT, #3 BOOM	1
22	1256788GT	PLATE,HOSE CLAMP,TAPPED	1
23	236441GT	BEARING,2.00IDX2.50ODX3.375L	2
24	56912GT	SPRING CLIP,1/4-20,.025-.15X.54,ZAG	3
25	824081GT	SCREW,HHF,1/4-20X1.5,8,ZAG	3
26	1251862GT	FORMING, FRONT BOOM COVER	1
27	1256108GT	SCREW,HHC,3/8-16X2,8,ZAG	1
28	824110GT	WASHER, LOCK, 3/8, ZAG	1

602.1 Middle Boom Assembly



Item	Part No.	Description	Qty.
A	826169GT	ASSEMBLY, HOSE SHEAVE includes items 14-20 (to SN GTH06E-13033)	1
1	1256117GT	WASHER, SHIM, 1.56X3.5X.061, ZAG to SN GTH06E-13033	6
2	141717GT	ASSY, 666 SHEAVE POLYLUBE includes 141716 and 141445 (to SN GTH06E-13033)	3
3	1272894GT	BEARING, 1.51 X 2.06 X 2.16 to SN GTH06E-13033	3
4	826219GT	WELDMENT, PIN, RET. CHAIN to SN GTH06E-13033	1
5	1255757GT	BOLT, CARRIAGE, 3/8-16X1.25, 5, ZAG to SN GTH06E-13033	4
6	824029GT	NUT, TL FLG, 3/8-16, G, ZAG	11
7	1256115GT	BOLT, CARRIAGE, 1/2-13X1.75, 5, ZAG to SN GTH06E-13033	16
8	141745GT	WASHER, HARDEND 1.375X.531X.177 to SN GTH06E-13033	4
9	1251997GT	NUT, TL, FLG, 1/2-13, G, ZAG to SN GTH06E-13033	16
10	141707GT	WEAR PAD, 10X3.3 X 1.3125 to SN GTH06E-13033	4
11	1278701GT	PLATE, RETAIN, WEAR PAD RR UPPER to SN GTH06E-13033	2
12	1278881GT	PLATE, RETAIN WPAD RR LOW to SN GTH06E-13033	2
13	1256118GT	SCREW, HHC, 3/8-16X1.5, 8, ZAG to SN GTH06E-13033	2
14	1278886GT	FORMING, SHEAVE PLT, PAINTED	1
15	1278888GT	FORMING, SHEAVE COVER to SN GTH06E-13033	1
16		Ref. HOSE, DUAL #8 (refer to 806.1)	1
17	141735GT	SHEAVE, #8 DUAL HOSE to SN GTH06E-13033	1
18	1278887GT	WELDMENT, SHEAVE, HOSE to SN GTH06E-13033	1
19	1256856GT	SCREW, HHF, 3/8-16X2.5, 8, ZAG to SN GTH06E-13033	4
20	141733GT	SPACER, HOSE ROLLER to SN GTH06E-13033	3
21	141935GT	WELDMENT, PIN RET CHAIN to SN GTH06E-13033	1
22	141708GT	WEARPAD, 7.0 X 1.686 X 1.2225 to SN GTH06E-13033	4
23	824125GT	BOLT, CARRIAGE, 3/8-16X1.5, ZAG to SN GTH06E-13033	1
24	826021GT	WELDMENT, #2 BOOM to SN GTH06E-13033	1
25	141729GT	PLATE, RETAINER WEARPAD FF to SN GTH06E-13033	2
26	141713GT	WEARPAD, 4.0 X 2.375 X .75 to SN GTH06E-13033	4
27	826228GT	PLATE, RETAINER WEARPAD FF to SN GTH06E-13033	2

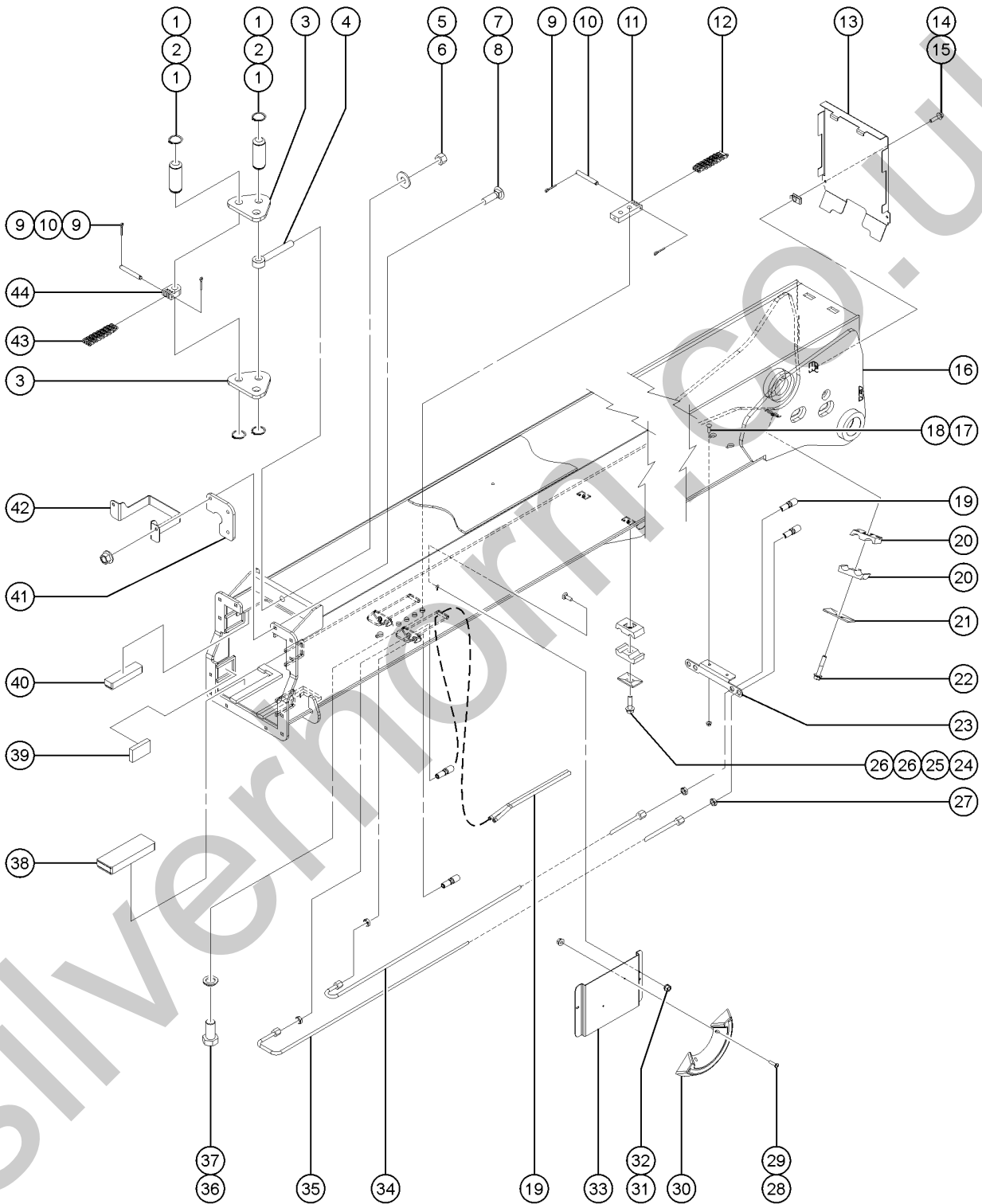
602.1 Middle Boom Assembly



Item	Part No.	Description	Qty.
28	1256856GT	SCREW,HHF,3/8-16X2.5,8,ZAG from SN GTH06E-13034	
29	1298743GT	SPACER,HOSE ROLLER from SN GTH06E-13034	
30	1298784GT	FORMING,SHEAVE COVER from SN GTH06E-13034	
31	1298780GT	WELDMENT,SHEAVE,HOSE from SN GTH06E-13034	
32	824125GT	BOLT,CARRIAGE,3/8-16X1.5,ZAG from SN GTH06E-13034	
33	1298704GT	SHEAVE,#8,DUAL HOSE from SN GTH06E-13034	

Silverhorn.CO.UK

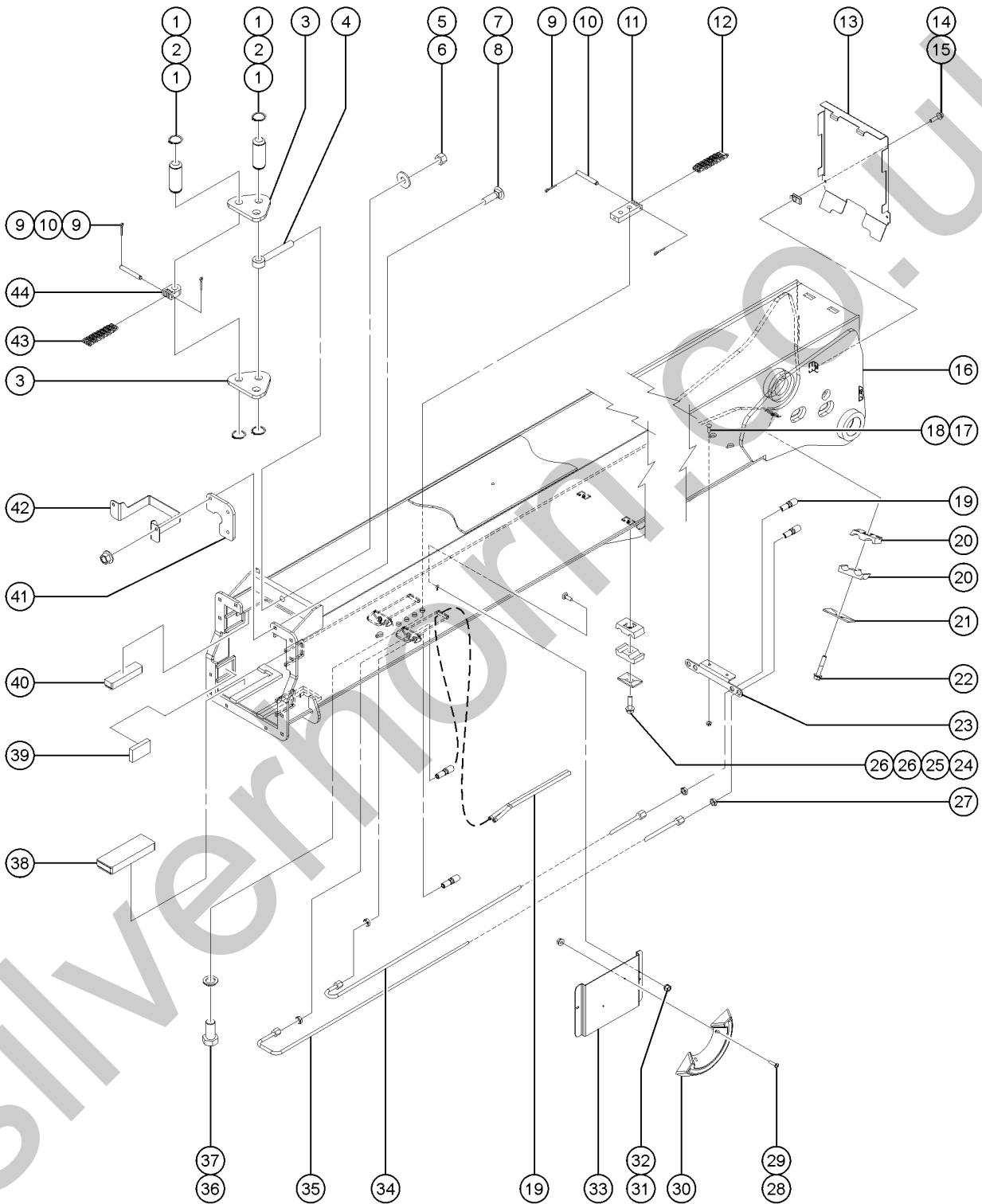
603.1 Large Boom Assembly



603.1 Large Boom Assembly

Item	Part No.	Description	Qty.
A	1261954GT	KIT, BOOM HARDLINE (includes 1261802, 1255757 (2) and 824029 (2))	1
1	1253843GT	SNAP RING,EXTERNAL,1.00,ZAG	6
2	123184GT	PIN,2 RING GROOVE	3
3	123185GT	PLATE,CHAIN PIVOT	2
4	5-2030GT	ROD END,CHAIN TENSIONER	1
5	5-2137GT	NUT,NYLOCK,1-14	1
6	117774GT	WASHER,FLAT,1.06X2.75X.25	1
7	1256115GT	BOLT,CARRIAGE,1/2-13X1.75,5,ZAG	12
8	1251997GT	NUT,TL,FLG,1/2-13,G,ZAG	12
9	6-6243-06GT	COTTER PIN, 3/32 X 3/4 LG	6
10	235637GT	PIN, CHAIN ANCHOR, .3115X2.27	3
11	123168GT	CHAIN ANCHOR, BOLT ON	1
12	826233GT	CHAIN, BL666, (169 PITCH)	1
13	826918GT	COVER, REAR #1 BOOM	1
14	824079GT	SCREW,HHF,1/4-20X1,8,ZAG	2
15	56912GT	SPRING CLIP,1/4-20,.025-.15X.54,ZAG	2
16	823064GT	WELDMENT, #1 BOOM	1
17	1255757GT	BOLT,CARRIAGE,3/8-16X1.25,5,ZAG	2
18	824029GT	NUT,TL FLG,3/8-16,G,ZAG	2
19		Ref. Hose Assembly (refer to 806.1)	
20	7-273-32GT	CLAMP HALVES,TWIN,7/8" TUBE	2
21	123177GT	CLAMP CVR PLATE,TWIN,GRP 3	1
22	1255800GT	SCREW,HHF,5/16-18X1.75,8,ZAG	1
23	1261802GT	FORMING, BULKHEAD MOUNT	1
24	824087GT	SCREW,HHF,5/16-18X1.25,8,ZAG	1
25	123176GT	PLATE, TOP	1
26	123175GT	CLAMP HALF SET,TWIN,1/2" TUBE	2
27	77309GT	NUT,BULKHEAD,520118-8	4

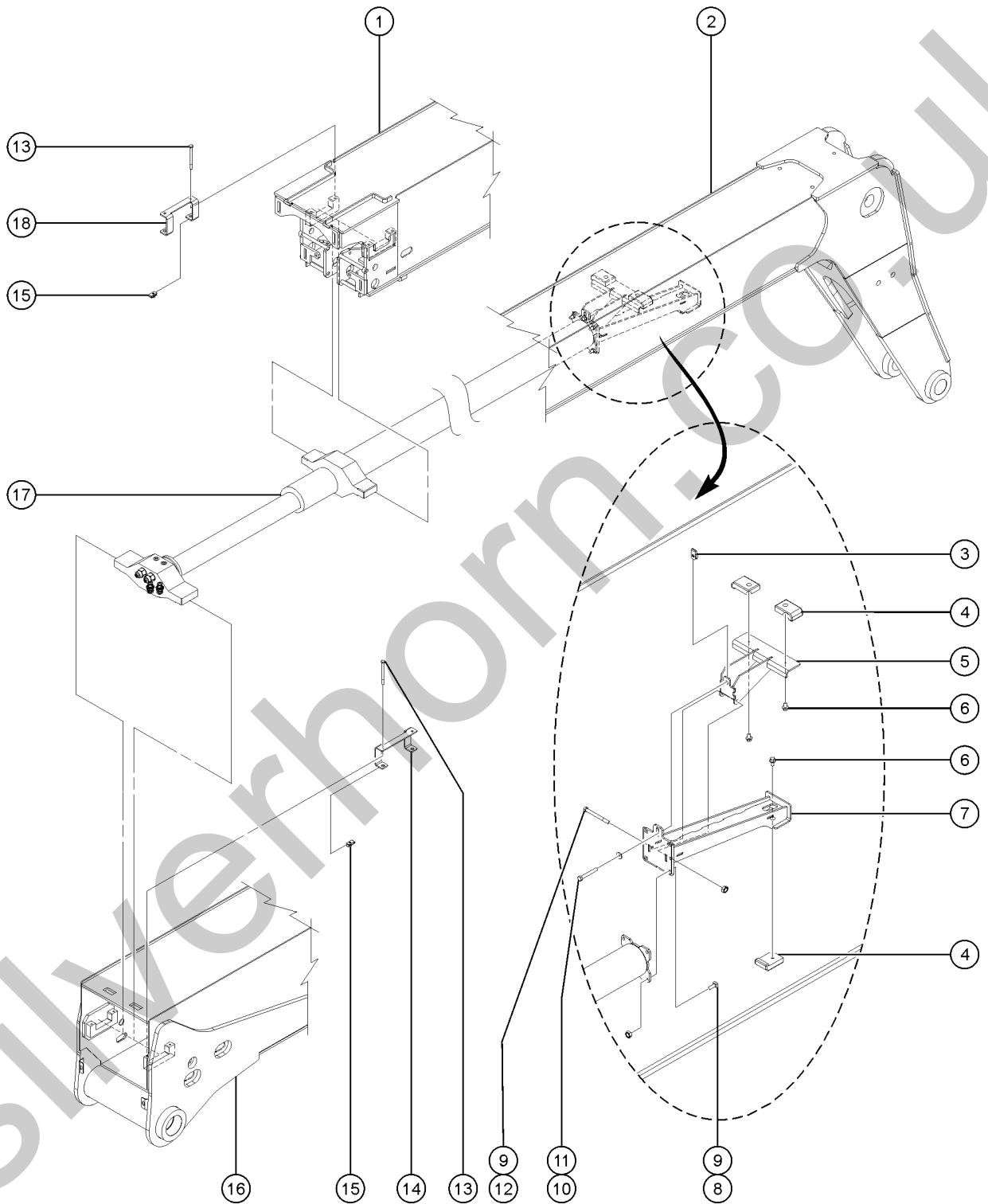
603.1 Large Boom Assembly



603.1 Large Boom Assembly

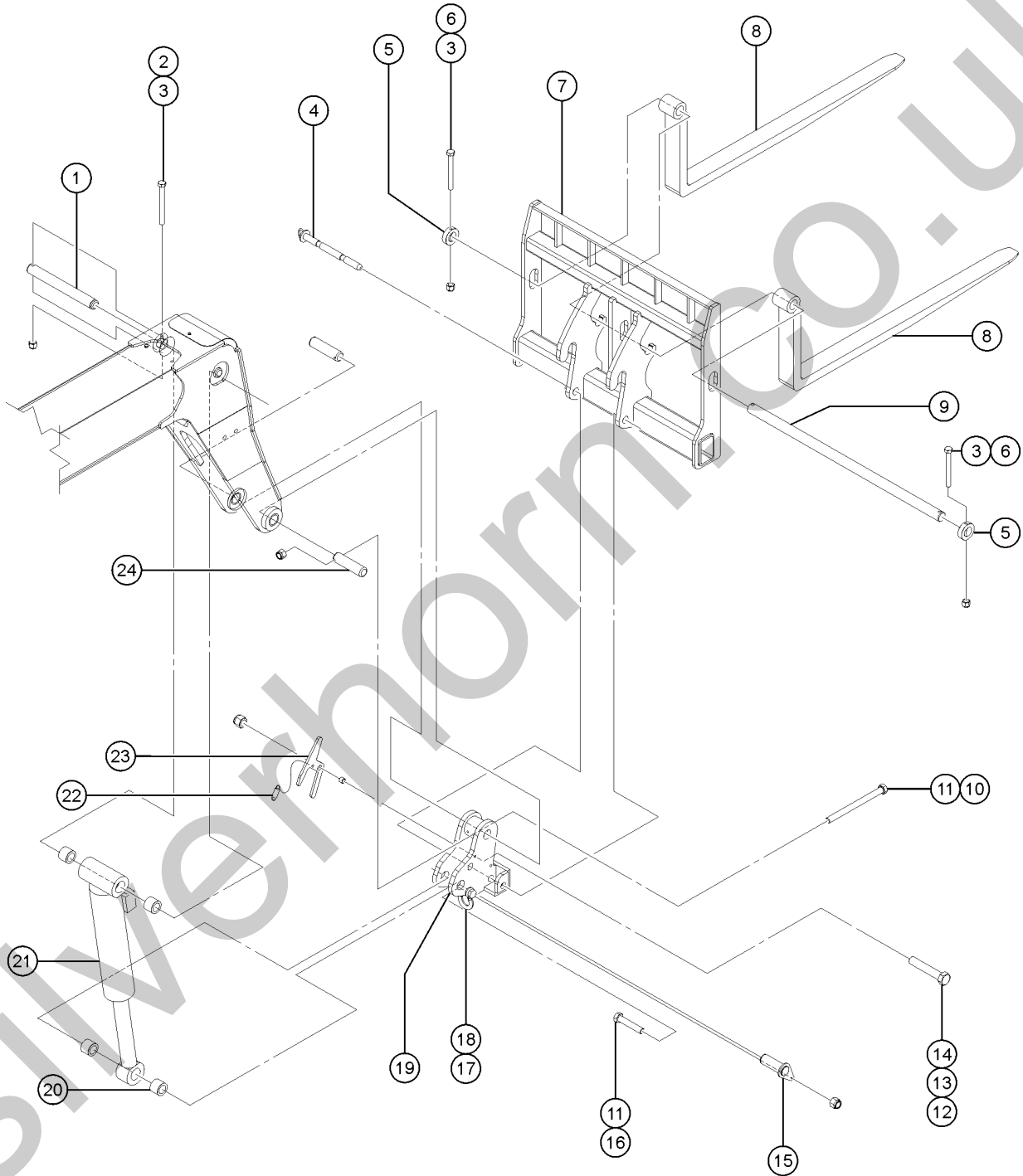
Item	Part No.	Description	Qty.
28	824215GT	SCREW, PHPM, 10-32 X .75, ZAG	2
29	824032GT	NUT, TL FLG, 10-32, F, ZAG	2
30	123545GT	ANGLE INDICATOR,GTH	1
31	824027GT	NUT, TL FLG, 1/4-20, G, ZAG	2
32	824124GT	BOLT, CARRIAGE, 1/4-20 X .75, 5, ZAG	2
33	160649GT	PLATE, BOOM ANGLE INDICATOR	1
34	826143GT	TUBE ASSEMBLY, LH FORMING #1	1
35	826142GT	TUBE ASSEMBLY, RH FORMING #1	1
36	1256116GT	SCREW,HHC,3/4-16X1.5,8,ZAG	2
37	141090GT	WASHER,3/4 NORDLOCK	2
38	141707GT	WEAR PAD, 10X3.3 X 1.3125	2
39	141713GT	WEARPAD,4.0 X 2.375 X .75	4
40	141708GT	WEARPAD, 7.0 X 1.686 X 1.2225	2
41	141729GT	PLATE, RETAINER WEARPAD FF	4
42	826141GT	FORMING, GUARD, EXT CHAIN	1
43	5-2040-223GT	LEAF CHAIN, BL-666, 223 PITCH	1
44	T108829GT	ANCHOR, CHAIN - PINNED	2

604.1 Extend Cylinder Assembly



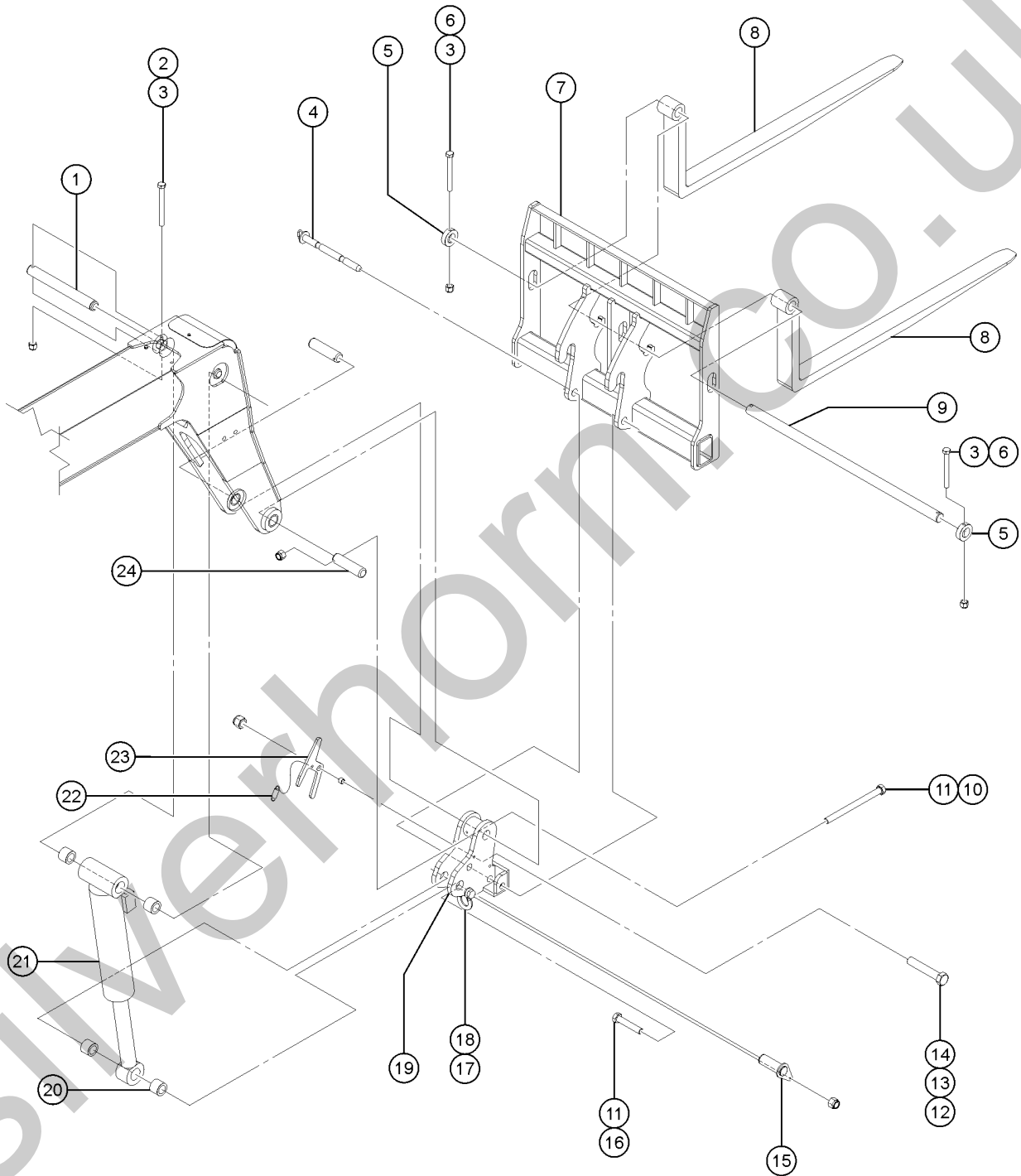
Item	Part No.	Description	Qty.
1		Ref. Middle Boom Assembly (refer to 602.1)	
2		Ref. Small Boom Assembly (refer to 601.1)	
3	29868GT	SPRING CLIP,3/8-16,.05-.20X.73,ZAG	1
4	826607GT	WEARPAD,EXT CYLINDER,GTH-636	3
5	826616GT	WELDMENT.UPPER WEARPAD MOUNT	1
6	824077GT	SCREW,HHF,1/4-20X.5,8,ZAG	3
7	826612GT	WELDMENT,LOWER WEARPAD MOUNT	1
8	1255757GT	BOLT,CARRIAGE,3/8-16X1.25,5,ZAG	4
9	824025GT	NUT,TL,3/8-16,C,ZAG	5
10	1256121GT	BOLT,HEX TAP,3/8-16X2.75,8,ZAG	1
11	825358GT	WASHER,FLAT,5/16,USS,ZAG	1
12	1256122GT	SCREW,HHC,3/8-16X4,8,ZAG	1
13	1256123GT	SCREW,HHC,1/4-20X3.25,8,ZAG	8
14	1278889GT	FORMING,RETAINER,EXTEND CYLINDER	2
15	56912GT	SPRING CLIP,1/4-20,.025-.15X.54,ZAG	4
16		Ref. Large Boom Assembly (refer to 603.1)	
17	823930GT	CYLINDER, BOOM EXT	1
17-	123896GT	VALVE,CBEA-LHN@3200:PSI	
17-	1298807GT	VALVE,COUNTERBALANCE,CBEA-LHN@3500	
17-	1257817GT	SEAL KIT, CYLINDER	
18	1279212GT	FORMING,RETAINER,EXTEND CYLINDER, SHORT	2

701.1 Fork Frame, Quick Attachment



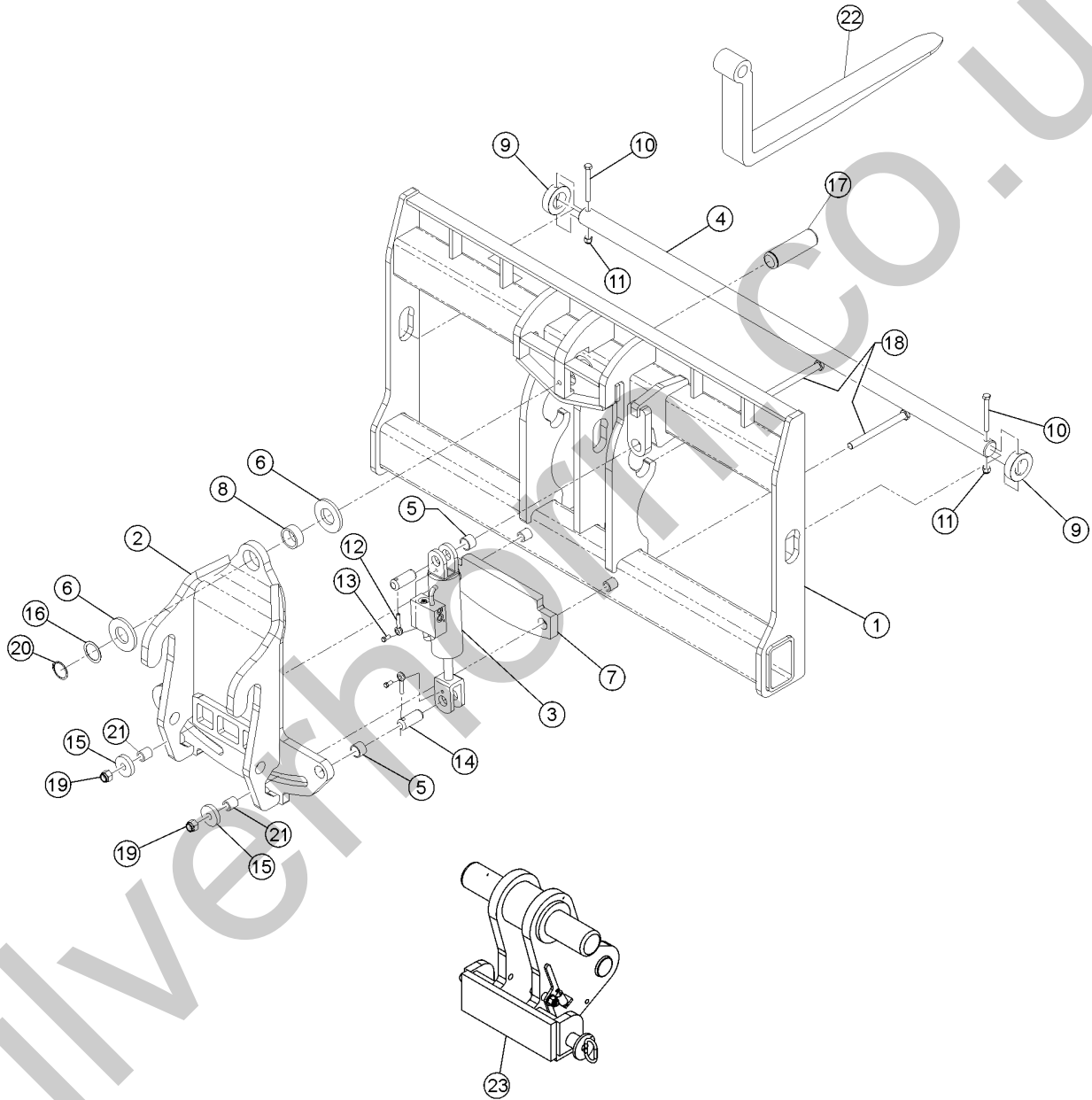
Item	Part No.	Description	Qty.
A	226814GT	OPTION,48"FORK FRAME, QA includes items 3, 5, 6, 7C and 9C	
B	226813GT	OPTION,60"FORK FRAME,QA includes items 3, 5, 6, 7A and 9A	
C	226812GT	OPTION,72" FORK FRAME, QA includes items 3, 5, 6, 7B and 9B	
1	108857GT	PIN,2.00DIAx13.88LG,1HOLE	1
2	1256120GT	SCREW,HHC,1/2-13x3.25,8,ZAG	1
3	1256106GT	NUT,TL,1/2-13,C,ZAG	3
4	1254050GT	WELDMENT,LOCK PIN	1
5	1254967GT	COLLAR,FORK TINE PIN	2
6	1256107GT	SCREW,HHC,1/2-13x4.5,8,ZAG	2
7A	1254968GT	WELDMENT,60" CARRIAGE,QA	1
7B	1254969GT	WELDMENT,72" CARRIAGE,QA	1
7C	1254966GT	WELDMENT,48" CARRIAGE,QA	1
8A	1255051GT	WELDMENT,FORK TINE,60"	2
8B	1255052GT	WELDMENT,FORK TINE,72"	2
8C	1255050GT	WELDMENT,FORK TINE,48"	2
8D	3-1467-60GT	FORK TINE, 60"LUMBER 1.75X7X60	2
8E	3-1085-10GT	FORK TINE,48"CUBING 6/842/844	6
9A	228391GT	PIN,FORK,60"FORK FRAME pin measures 64 x 2.00 inches	1
9B	228389GT	PIN,FORK,72"FORK FRAME pin measures 76 x 2.00 inches	1
9C	228392GT	PIN,FORK,48"FORK FRAME pin measures 52 x 2.00 inches	1
10	1256923GT	SCREW,HHC,3/8-16x4.75,8,ZAG	2
11	824029GT	NUT,TL FLG,3/8-16,G,ZAG	3
12	1255802GT	SCREW,HHF,1/2-13x2.5,8,ZAG	1
13	1254024GT	TUBE,QA LOCK LEVER SPACER	1
14	1251997GT	NUT,TL,FLG,1/2-13,G,ZAG	1
15	141949GT	WELDMENT,TILT PIN,KIT	1
16	1253478GT	SCREW,HHF,3/8-16x2,8,ZAG	1
17	1312701GT	ASSEMBLY,LIFTING SHACKLE,4.75t	1

701.1 Fork Frame, Quick Attachment



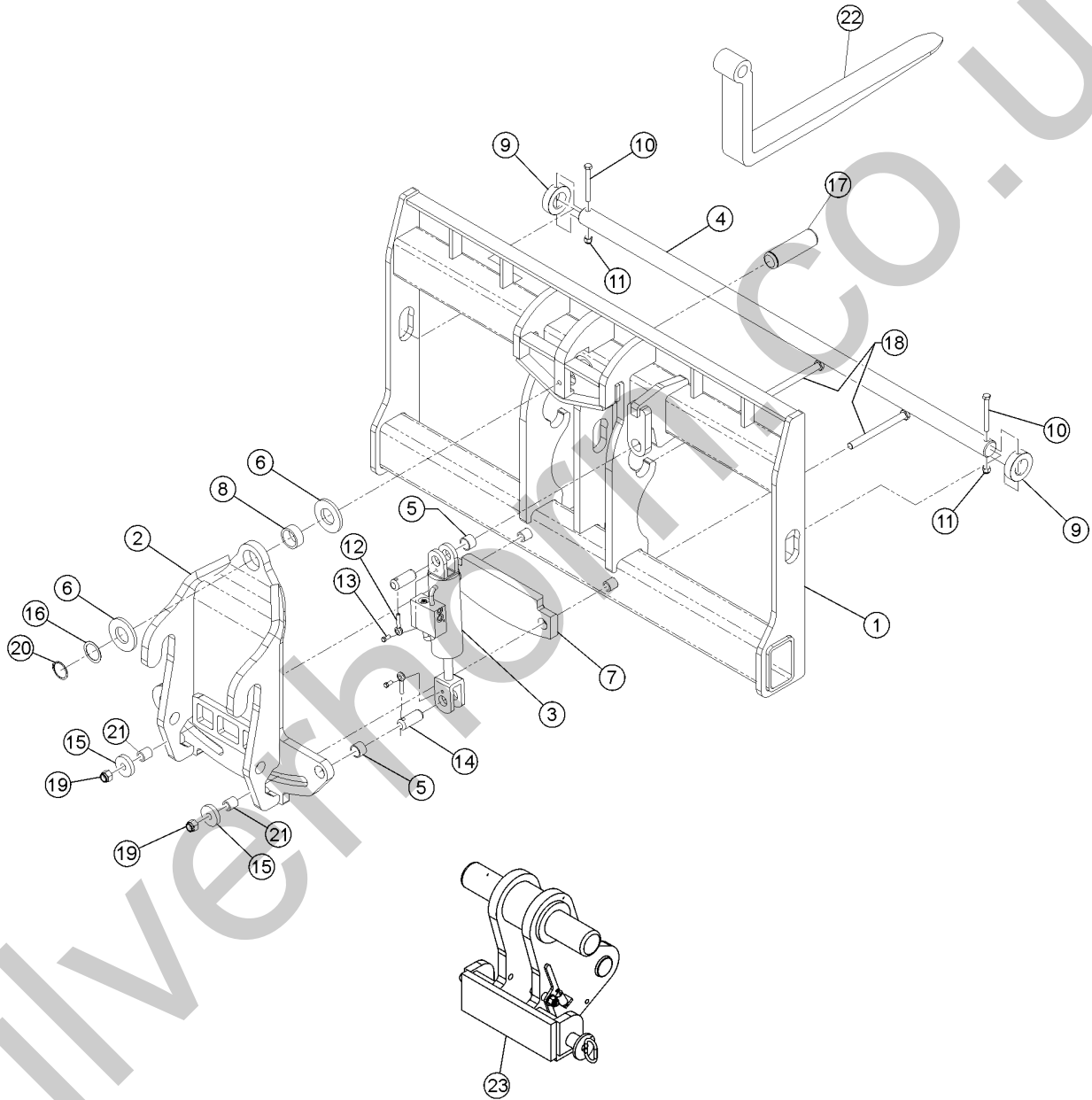
Item	Part No.	Description	Qty.
18	1294954GT	PIN,COTTER,.1875"X1.5"	1
19	1255070GT	WELDMENT,QA MOUNT	1
19-	1255071GT	ASSEMBLY,QA MOUNT includes items 4,10-18 and 22-24	1
20	123188GT	BEARING,2.00IDX2.50ODX1.50L	4
21	823932GT	CYLINDER,TILT	1
21-	123897GT	VALVE,CB.CACG-LGN@4200	
21-	1257819GT	SEAL KIT, CYL 823932/823933 for 1255071, 823932	
21-	1258122GT	SEAL KIT, TILT CYLINDER 1253245	2
21-	130416GT	SEAL KIT, CYLINDER T109799	
22	123500GT	SPRING	1
23	1275934GT	PLATE,QA LOCK SPRING LEVER, WITH OVERTRAVEL STOP	1
24	5-2041-2GT	PIN,2.00DIA X 7.50 LG,1 HOLE	2

702.1 Fork Frame, Rotate Attachment



Item	Part No.	Description	Qty.
A	216572GT	ASSY, 60" ROTATE, FORKCARR, 844	1
B	822265GT	ASSY, 48" ROTATE, FORK CARRIAG	1
C	822275GT	PLUMB ASSY, ROTATE	1
1A	1254972GT	WELDMENT, 60" CARRIAGE, QA	1
1B	1254970GT	WELDMENT, 48" CARRIAGE, QA	1
2	1254971GT	WELDMENT, CARRIAGE PIVOT, ROTATE	1
3	216571GT	CYLINDER, ROTATE	1
3-	217158GT	SEAL KIT CYL ROTATE, 216571	1
3-	77014GT	VALVE, COUNTERBALANCE, 3800 PSI	2
4A	228391GT	PIN, FORK, 60" FORK FRAME pin measures 64 x 2.00 inches	1
4B	228392GT	PIN, FORK, 48" FORK FRAME pin measures 52 x 2.00 inches	1
5	30370GT	BEARING, 1.25ID X 1.5OD X 1.00L	2
6	216567GT	WEAR PAD, SPACER PIVOT	2
7	216568GT	WEAR PAD, LOWER ROTATE	1
8	T107482GT	BEARING, 2.0 ID X 2.5 OD X 1.0L	1
9	1254967GT	COLLAR, FORK TINE PIN	2
10	1256107GT	SCREW, HHC, 1/2-13 X 4.5, 8, ZAG	2
11	1256106GT	NUT, TL, 1/2-13, C, ZAG	2
12	1255452GT	ROD END, .375 X 2.25, ZAG	2
13	824089GT	SCREW, HHF, 3/8-16 X .75, 8, ZAG	2
14	216635GT	PIN, 1.25DIA X 3.15LG, 1 HOLE	2
15	1254533GT	PLATE, RETAINER	2
16	216569GT	WASHER, HRDND, 2.01 X 2.75 X .06 PLTD	1
17	216570GT	PIN, 2.00 OD X 6.75 LG, 1 RING	1
18	1256465GT	SCREW, HHC, 3/4-10 X 8.5, 8, ZAG	2
19	824030GT	NUT, TL FLG, 3/4-10, G, ZA	2
20	1253815GT	SNAP RING, EXTERNAL, 2.00, ZAG	1
21	1254532GT	TUBE, SPACER	2

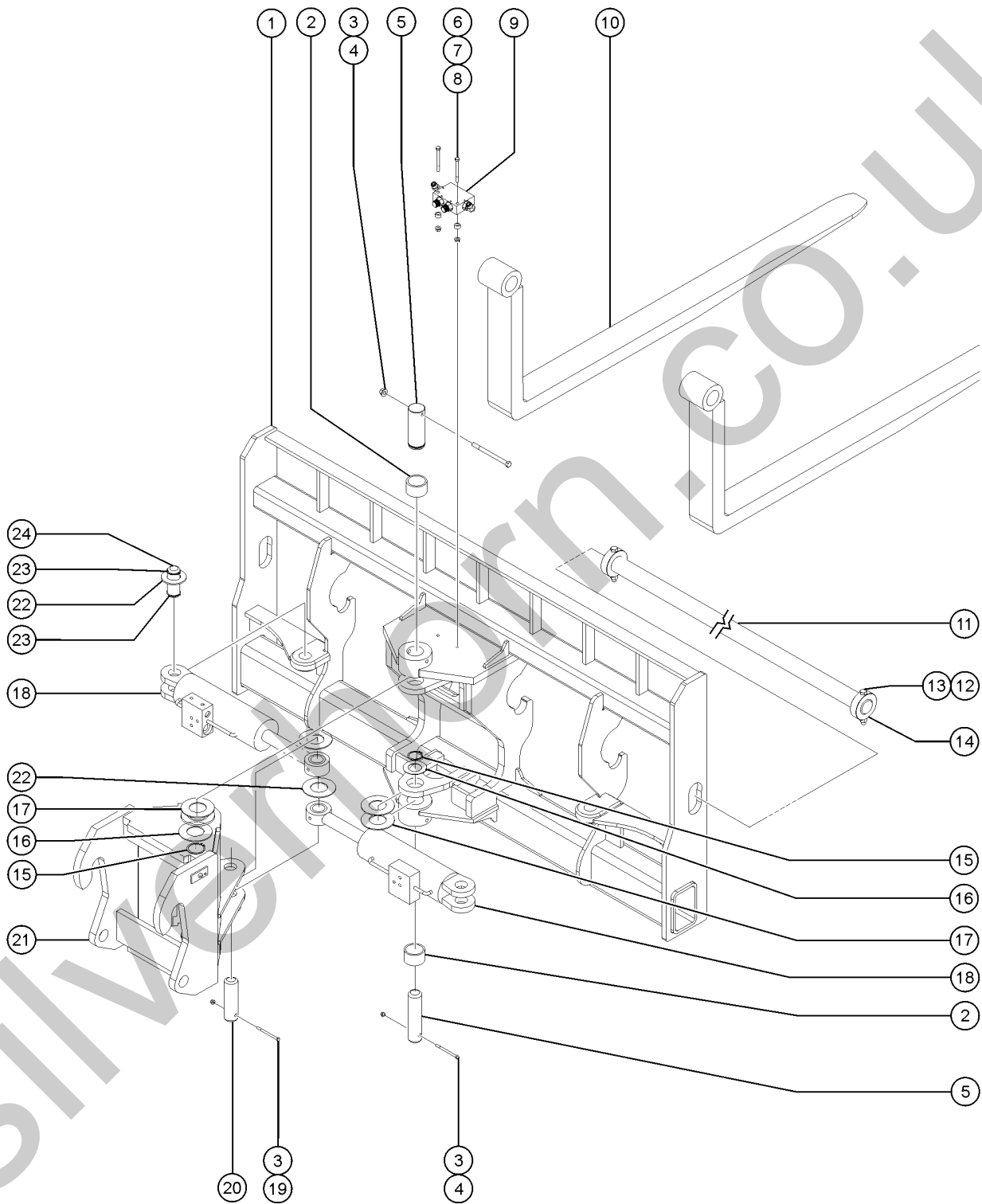
702.1 Fork Frame, Rotate Attachment



<i>Item</i>	<i>Part No.</i>	<i>Description</i>	<i>Qty.</i>
22		REF. WELDMENT FORK (Ref. to 701.1)	1
23		REF. ASSEMBLY,QA MOUNT (Ref. to 701.1)	1

Silverhorn.CO.UK

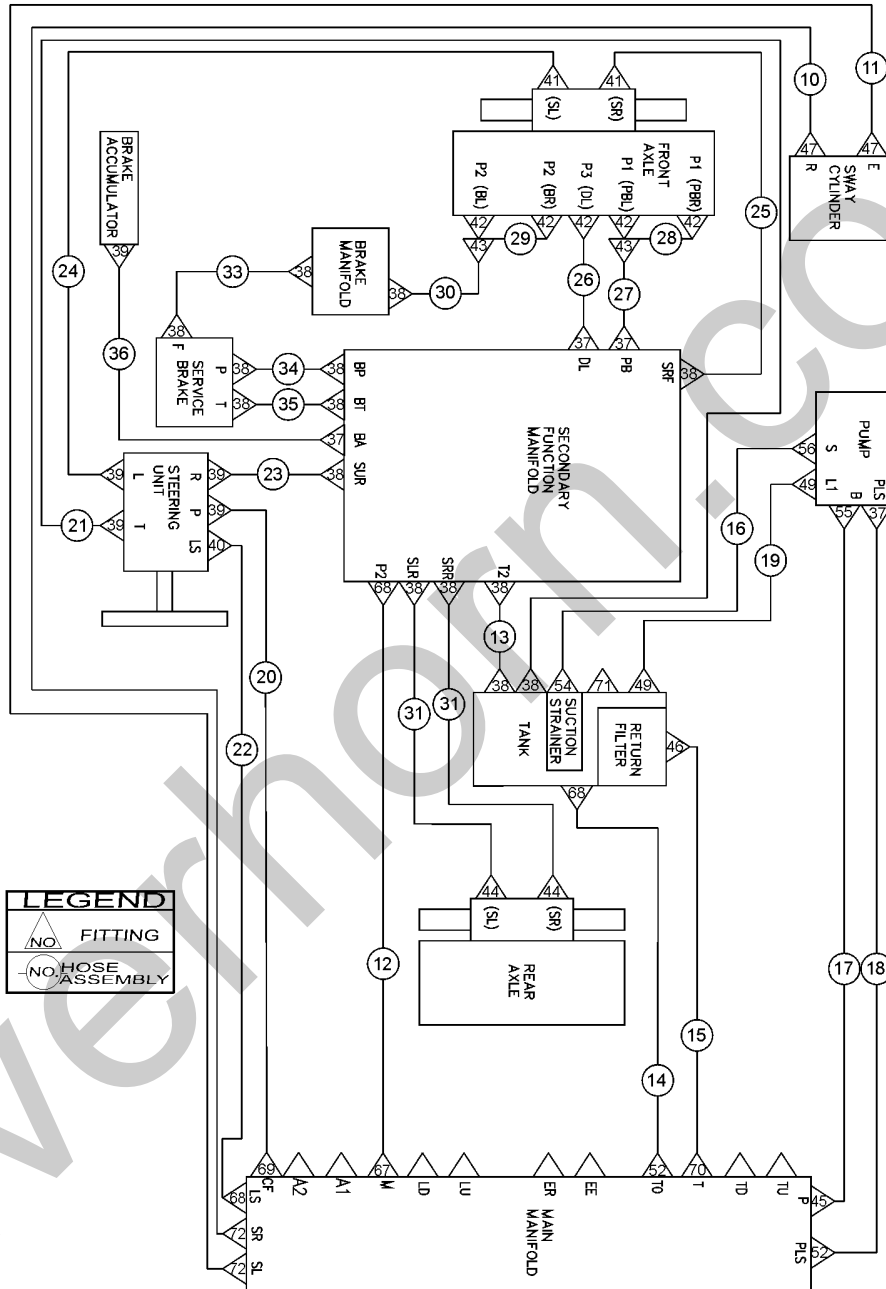
703.1 Fork Frame, Swing Carriage Attachment



703.1 Fork Frame, Swing Carriage Attachment

Item	Part No.	Description	Qty.
1	1259578GT	WELDMENT,72" SWING CARRIAGE	1
2	123188GT	BEARING,2.00IDX2.50ODX1.50L	2
3	824029GT	NUT,TL FLG,3/8-16,G,ZAG	3
4	1257828GT	SCREW,HHC,3/8-16X5,8,ZAG	2
5	1280380GT	PIN,2.00DIA X 5.75LG,1HOLE/1RING	2
6	1256310GT	SCREW,HHC,5/16-18X3.25,8,ZAG	2
7	44723GT	SPACER,OUTRIGGER PIN***	2
8	824028GT	NUT,TL FLG,5/16-18,G,ZAG	2
9	7-234-04GT	VALVE,DUAL CHECK	1
10		REF. WELDMENT FORK (Refer to 701.1)	
11	228389GT	PIN,FORK,72"FORK FRAME pin measures 76 x 2.00 inches	1
12	1256107GT	SCREW,HHC,1/2-13X4.5,8,ZAG	2
13	1256106GT	NUT,TL,1/2-13,C,ZAG	2
14	1254967GT	COLLAR,FORK TINE PIN	2
15	1253815GT	SNAP RING,EXTERNAL,2.00,ZAG	2
16	1256864GT	WASHER,FLAT,2.01X3.5X.06,ZAG	2
17	130319GT	WASHER,THRUST	4
18	162342GT	CYLINDER,SWING CARRIAGE	2
18-		BUSH,AL-BZ,1.50IDX2.00ODX1.50L no longer available	2
19	824096GT	SCREW,HHF,3/8-16X3.5,8,ZAG	1
20	130107GT	PIN,1.50DIA X 6.38LG,1HOLE	1
21	1254405GT	WELDMENT,QA SWING COUPLER	1
22	1257899GT	WASHER,FLAT,1.5,F436,HRD,ZAG	4
23	825796GT	SNAP RING,EXTERNAL,1.50,ZAG	4
24	130353GT	PIN,1.50DIA X 3.38LG,2RING	2

801.1 Axle_Steering and Pump Components



801.1 Axle_Steering and Pump Components

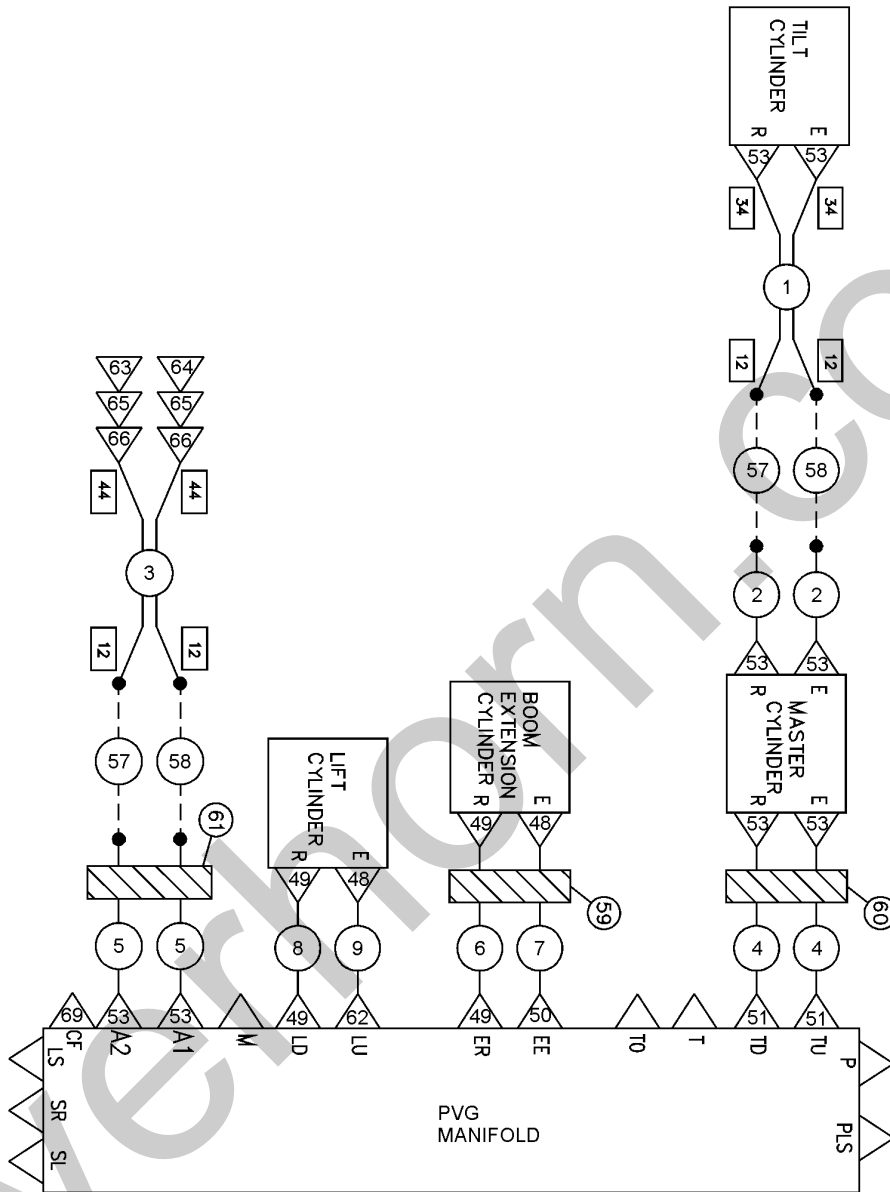
Item	Part No.	Description	Qty.
10	49126-21000GT	HOSE ASSY,3/8",45 FEM,STR FEM to SN GTH06E-13139	1
10B	1303594-21000GT	ASSY, HOSE, HYD, -6, 3000, STR, 45 from SN GTH06E-13140	1
11	49128-21000GT	HOSE ASSY,3/8,90 FEM,STR FEM to SN GTH06E-13139	1
11B	49129-21000GT	ASSY, HOSE, HYD, -6, 3000, STR, 90 from SN GTH06E-13140	1
12	49117-10600GT	HOSE ASSY,1/4,90 FEM,STR FEM to SN GTH06E-13139	1
13	49128-3600GT	HOSE ASSY,3/8,90 FEM,STR FEM to SN GTH06E-13139	1
14	49117-7800GT	HOSE ASSY,1/4,90 FEM,STR FEM to SN GTH06E-13139	1
15	88949-7500GT	HOSE ASSY 1",STR FEM,STR FEM to SN GTH06E-13139	1
16	121608-5075GT	HOSE ASSY,1-1/2,STR,90D JIC to SN GTH06E-13139	1
17	61074-16800GT	HOSE ASSY,3/4,STR FEM,STR FEM to SN GTH06E-13139	1
18	49119-13750GT	HOSE ASSY,1/4,STR FEM,STR FEM to SN GTH06E-13139	1
19	228744-5900GT	HOSE ASSY,5/8,STR FEM,90 FEB to SN GTH06E-13139	1
20	49130-14500GT	HOSE ASSY,3/8"STR FEM,STR FEM to SN GTH06E-13139	1
21	49128-7500GT	HOSE ASSY,3/8,90 FEM,STR FEM to SN GTH06E-13139	1
22	49119-15100GT	HOSE ASSY,1/4,STR FEM,STR FEM to SN GTH06E-13139	1
23	49130-4700GT	HOSE ASSY 3/8, STR FEM,STR FEM to SN GTH06E-13139	1
24	49130-6600GT	HOSE ASSY 3/8, STR FEM, STR FEM to SN GTH06E-13139	1
25	49130-8932GT	HOSE ASSY,3/8,STR FEM,STR FEM to SN GTH06E-13139	1
26	49120-9881GT	HOSE ASSEMBLY, 1/4" to SN GTH06E-13139	1
27	49118-7108GT	HOSE ASSY,1/4" 90 FEM,STR FEM to SN GTH06E-13139	1
28	49128-1534GT	HOSE ASSY,3/8,90 FEM,STR FEM to SN GTH06E-13139	1
29	49128-1734GT	HOSE ASSY,3/8,90 FEM,STR FEM to SN GTH06E-13139	1
30	49128-5559GT	HOSE ASSY,3/8,90 FEM,STR FEM to SN GTH06E-13139	1
31	49131-11889GT	HOSE ASSY,3/8,STR FEM,STR FEM to SN GTH06E-13139	2
33	49130-4182GT	HOSE ASSY,3/8,STR FEM,STR FEM to SN GTH06E-13139	1
34	49130-5500GT	HOSE ASSY 3/8, STR FEM,STR FEM to SN GTH06E-13139	1
35	49130-4900GT	HOSE ASSY,3/8,STR FEM,STR FEM to SN GTH06E-13139	1
36	49163-2094GT	HOSE ASSY-1/4,90D FEM/STR FEM to SN GTH06E-13139	1



801.1 Axle_Steering and Pump Components

Item	Part No.	Description	Qty.
37	48905GT	CONN,520120-4***	4
38	48916GT	CONN, 520120-6	14
39	48930GT	CONN,520120-6-8	5
40	48904GT	ELBOW, 90D, 520220-4	1
41	1266588GT	ADPTR,STR,6MFFOR-18MMB DIN3852	2
42	117809GT	ADAPTER,6MFF0R-14MMB	5
43	48875GT	TEE,RUN,SWIVEL,520432-6	2
44	54428GT	FITTING, HYDRUALIC, 90DEG, O-RING	2
45	48978GT	ELBOW,45D,520320-12-16	1
46	48983GT	ELBOW,90D,520220-16	1
47	48915GT	ELBOW,90D,520220-6	2
49	48952GT	FITTING,CONN,520120-10	2
52	1283937GT	ELBOW,90D,FS6801-4-5	2
54	61083GT	CONN,520120-24	1
55	48976GT	ELBOW,90D,520220-12-16	1
56	121777GT	CONN,070121-24-24	1
68	48912GT	CONN,520120-4-6***	3
69	61264GT	ELBOW,90D,520220,6-10	1
70	48878GT	ELBOW,90D,520220-16-12	1
71	28455GT	PLUG,HEX SOCKET,090109B-6	1
72	48930GT	CONN,520120-6-8 to SN GTH06E-13139	2
72B	48946GT	CONN,520120-8-10 from SN GTH06E-13140	2

802.1 Boom Components

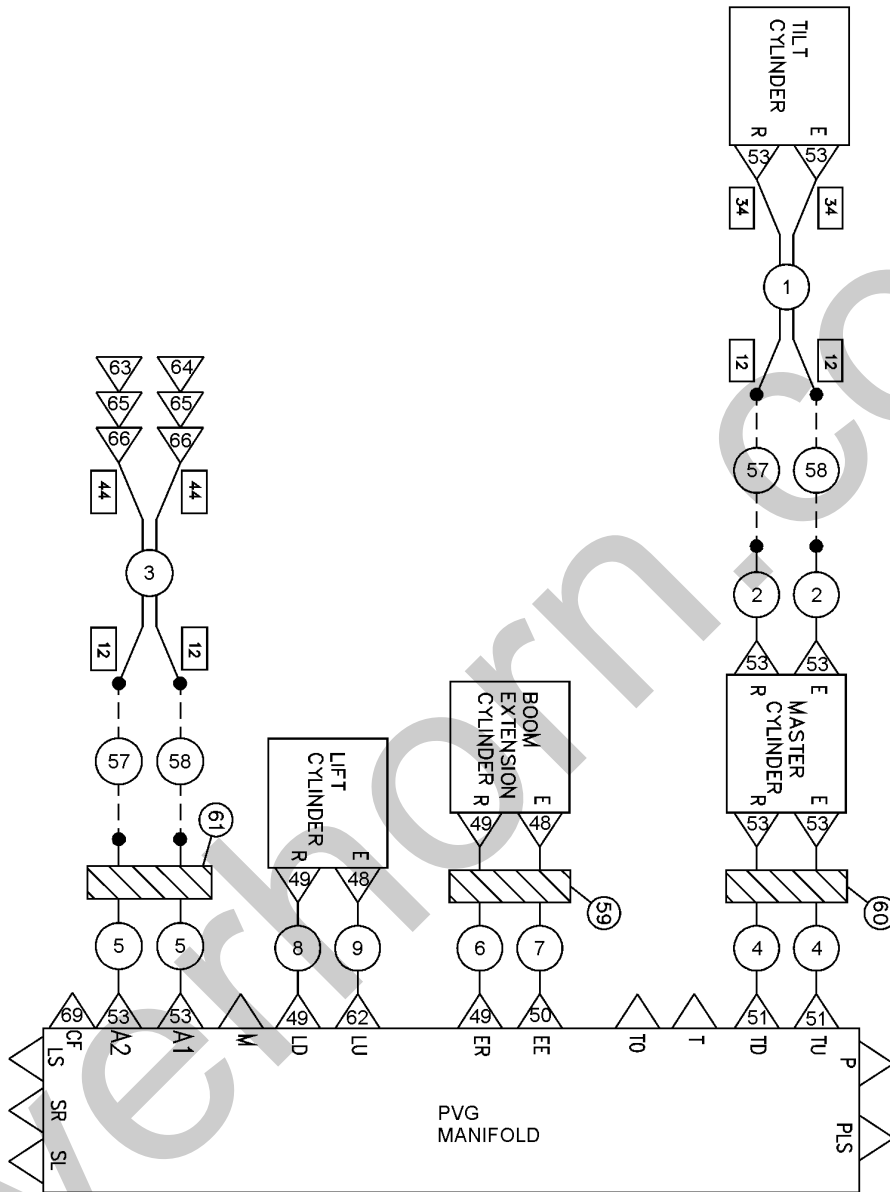


LEGEND	
	FITTING
	HOSE ASSEMBLY

802.1 Boom Components

Item	Part No.	Description	Qty.
1	1254082GT	HOSE ASSY,1/2TWIN,STR FEM,STR BLKH (Twin hose)	1
2	77311-3356GT	HOSE ASSY,1/2,STR FEM,STR BLKH	2
3	1254083GT	HOSE ASSY,1/2TWIN,STR FEM,STR	1
4	49183-4700GT	HOSE ASSY,1/2 STR FEM,STR FEM	2
5	77311-5700GT	HOSE ASSY,1/2,STR FEM,STR BLKH	2
6	228752-5100GT	HOSE ASSY,5/8,STR FEM,STR FEM	1
7	61074-4950GT	HOSE ASSY,3/4,STR FEM,STR FEM	1
9	61074-5800GT	HOSE ASSY,3/4,STR FEM,STR FEM	1
10	49126-21000GT	HOSE ASSY,3/8",45 FEM,STR FEM	1
11	49128-21000GT	HOSE ASSY,3/8,90 FEM,STR FEM	1
12	49117-10600GT	HOSE ASSY,1/4,90 FEM,STR FEM	1
44	54428GT	FITTING, HYDRUALIC, 90DEG, O-RING	2
48	48960GT	CONN,520120-4-6***	2
49	48952GT	FITTING,CONN,520120-10	6
50	48975GT	CONN,520120-12-10	1
51	48946GT	CONN,520120-8-10	2
52	1283937GT	ELBOW,90D,FS6801-4-5	2
53	48933GT	CONN,520120-8***	8
54	61083GT	CONN,520120-24	1
55	48976GT	ELBOW,90D,520220-12-16	1
56	121777GT	CONN,070121-24-24	1
57	826142GT	TUBE ASSEMBLY, RH FORMING #1	2
58	826143GT	TUBE ASSEMBLY, LH FORMING #1	2
61	123838GT	COIL,PROTECTIVE,PLASTIC	66
62	48974GT	CONN,520120-8-12	1
63	123180GT	QUICK COUPLING,MALE	1
64	123181GT	QUICK COUPLING,FEMALE	1
65	123179GT	#8,90 DEG ORFS SWIVEL	2

802.1 Boom Components



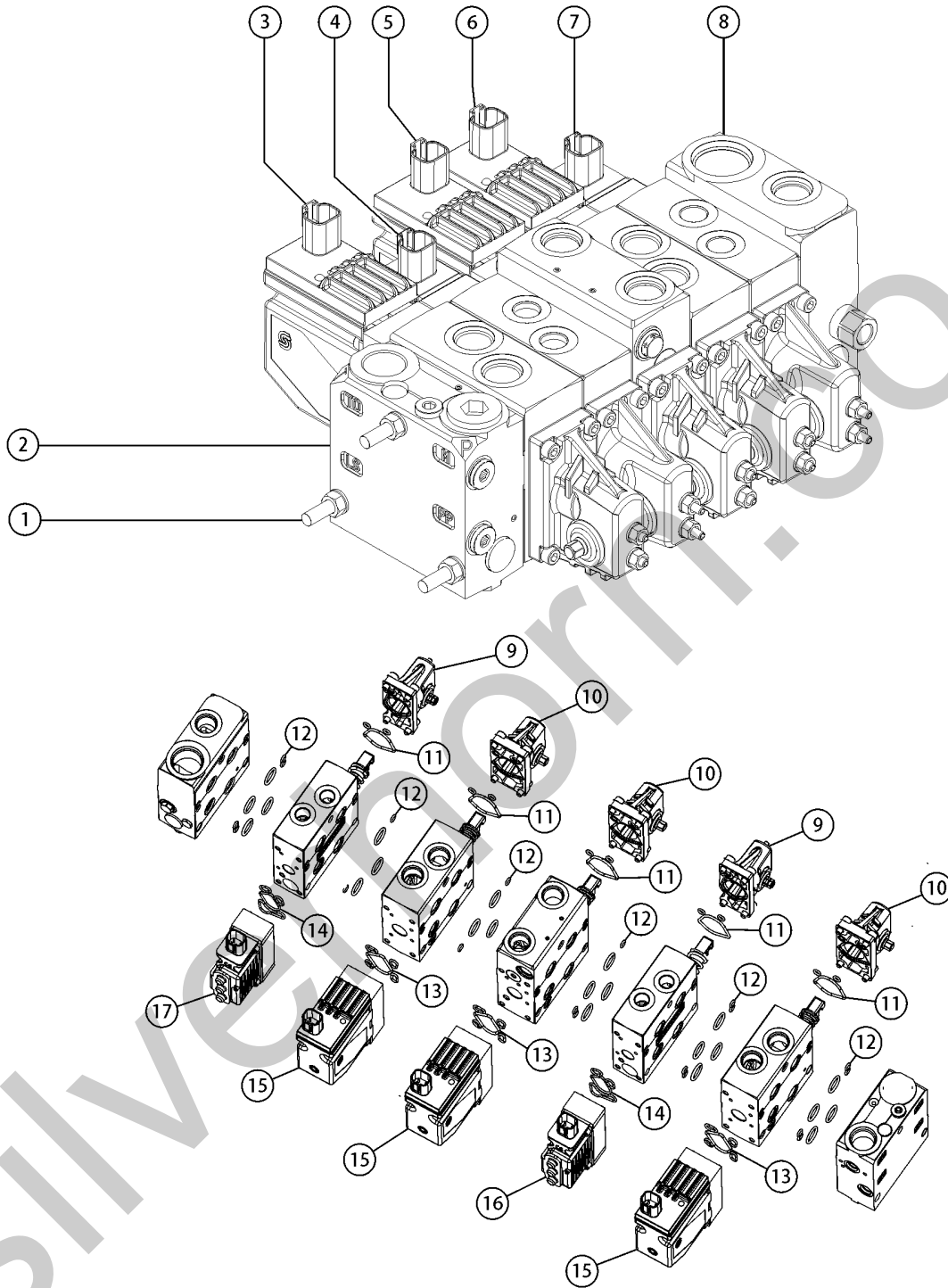
LEGEND	
	FITTING
	HOSE ASSEMBLY

802.1 Boom Components

<i>Item</i>	<i>Part No.</i>	<i>Description</i>	<i>Qty.</i>
66	75042GT	ELBOW,BULKHEAD UNION 520701-8	2
69	48912GT	CONN,520120-4-6***	3

Silverhorn.CO.UK

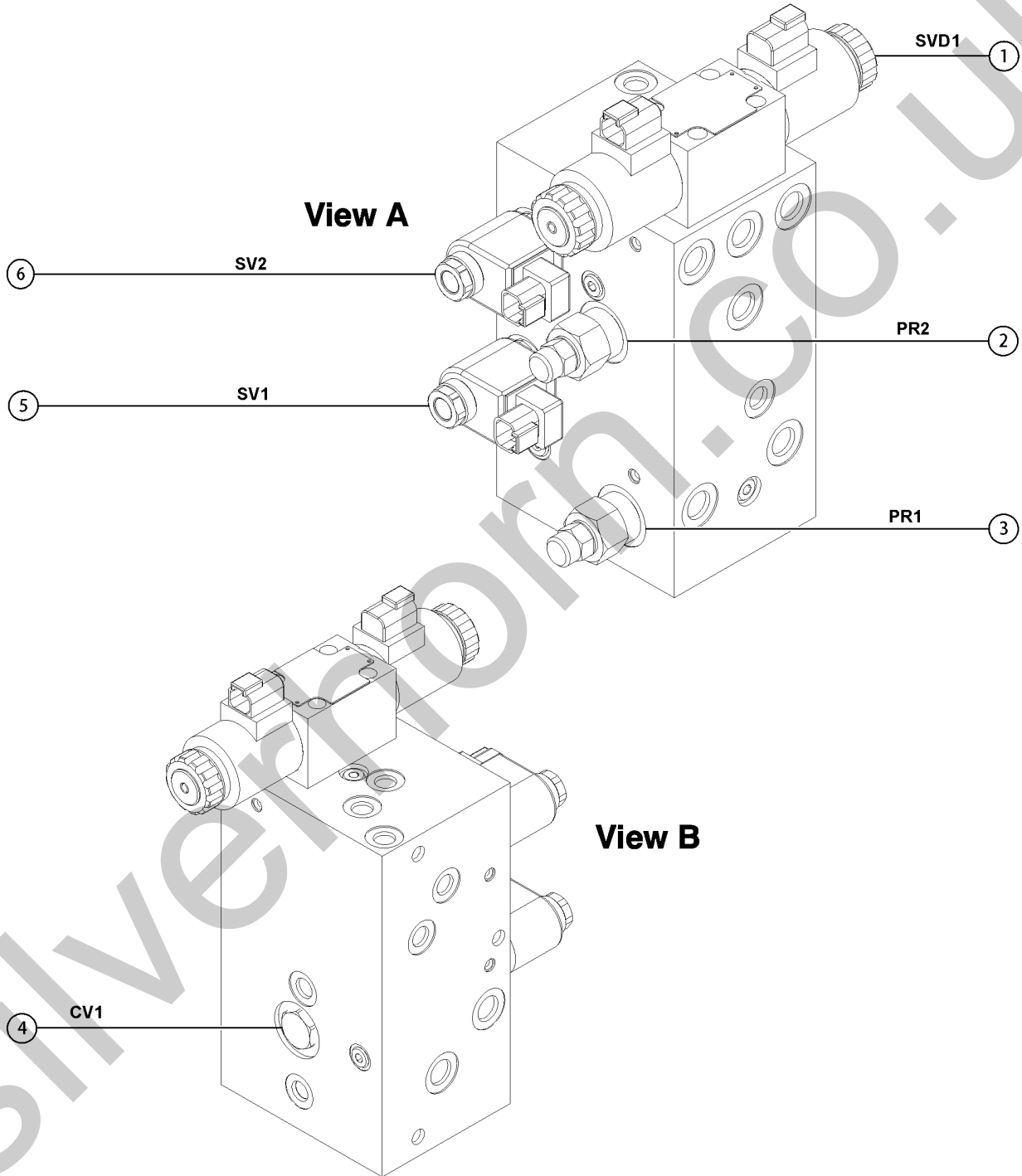
803.1 PVG Manifold



Item	Part No.	Description	Qty.
-	1283379GT	PVG,5 SECTION,PRIMARY,GTH636 to SN GTH06E-13139	
-	1302618GT	MANIFOLD,PVG 5 SECTION,GTH636 from SN GTH06E-13140	
1	1285621GT	KIT,SEALS AND STUDS (includes item 12)	
2	1285620GT	OUTLET,PVG	
3	1285614GT	SLICE ASSEMBLY,LIFT 6K/8K (controls boom up/down functions)	
4	1285612GT	SLICE ASSEMBLY,AUX (controls auxiliary functions)	
5	1285617GT	SLICE ASSEMBLY,TILT 6K (controls tilt functions)	
6	1285613GT	SLICE ASSEMBLY,EXTEND 6K/8K (controls boom extend/retract functions)	
7	1285616GT	SLICE ASSEMBLY,SWAY (controls sway functions)	
8	1285619GT	INLET,PRIORITY,PVG	
9	1285608GT	CAP,SM MANUAL ADJ (includes O-rings)	
10	1285604GT	CAP,LG MANUAL ADJ (includes O-rings)	
11	1285605GT	KIT,SEAL,MANUAL ADJ CAP	
12	1285622GT	KIT,INTER-SLICE SEALS, 6 SETS (included with item 1) order 6 kits of 1285622GT to seal all valves	6
13	1285607GT	KIT,SEAL,LG ACTUATOR	
14	1285611GT	KIT,SEAL,SM ACTUATOR	
15	1285606GT	ACTUATOR,LG PROP ELEC (includes item 12)	
16	1285609GT	ACTUATOR,SM ELEC (includes item 13)	
17	1285610GT	ACTUATOR,SM PROP ELEC (includes item 13)	

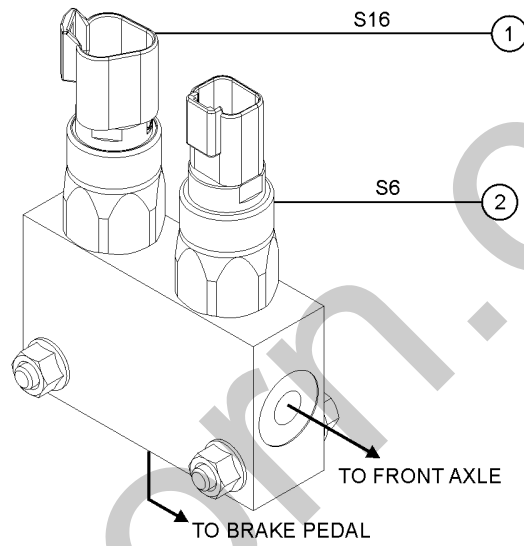
Silverboom.co.uk

804.1 Secondary Manifold



Item	Part No.	Description	Qty.
A-	1283315GT	MANIFOLD FOR PVG,SECONDARY,GTH636	
1	1286187GT	VALVE,SOLENOID,STEER SELECT	1
1-	65879GT	O-RING KIT(41769) SQ.CUT DO3	
1-	1286191GT	COIL,SOLENOID,STEER SELECT	
1-	1286192GT	NUT,STEER SOLENOID	
2	1286188GT	VALVE,PRESSURE REDUCING,400PSI	1
2-	1303112GT	VALVE,PRESSURE REDUCING,250PSI	
2-	1286190GT	SEAL KIT,PR VALVE	
3	1286189GT	VALVE,PRESSURE REDUCING,350PSI	1
3-	1286190GT	SEAL KIT,PR VALVE	
4	231037GT	CHECK VALVE,BALL TYPE,NORMAL	1
4-	74902GT	SEAL KIT, VALVE	
5	161534GT	VALVE, SOLENOID, 2 POS 3 WAY	1
5-	237236GT	SEAL KIT,VALVE	
5-	1286193GT	ACTUATOR, SOLENOID VALVE	
5-	237235GT	NUT KIT W/COIL ORINGS	
6	161534GT	VALVE, SOLENOID, 2 POS 3 WAY	1
6-	237236GT	SEAL KIT,VALVE	
6-	1286193GT	ACTUATOR, SOLENOID VALVE	
6-	237235GT	NUT KIT W/COIL ORINGS	

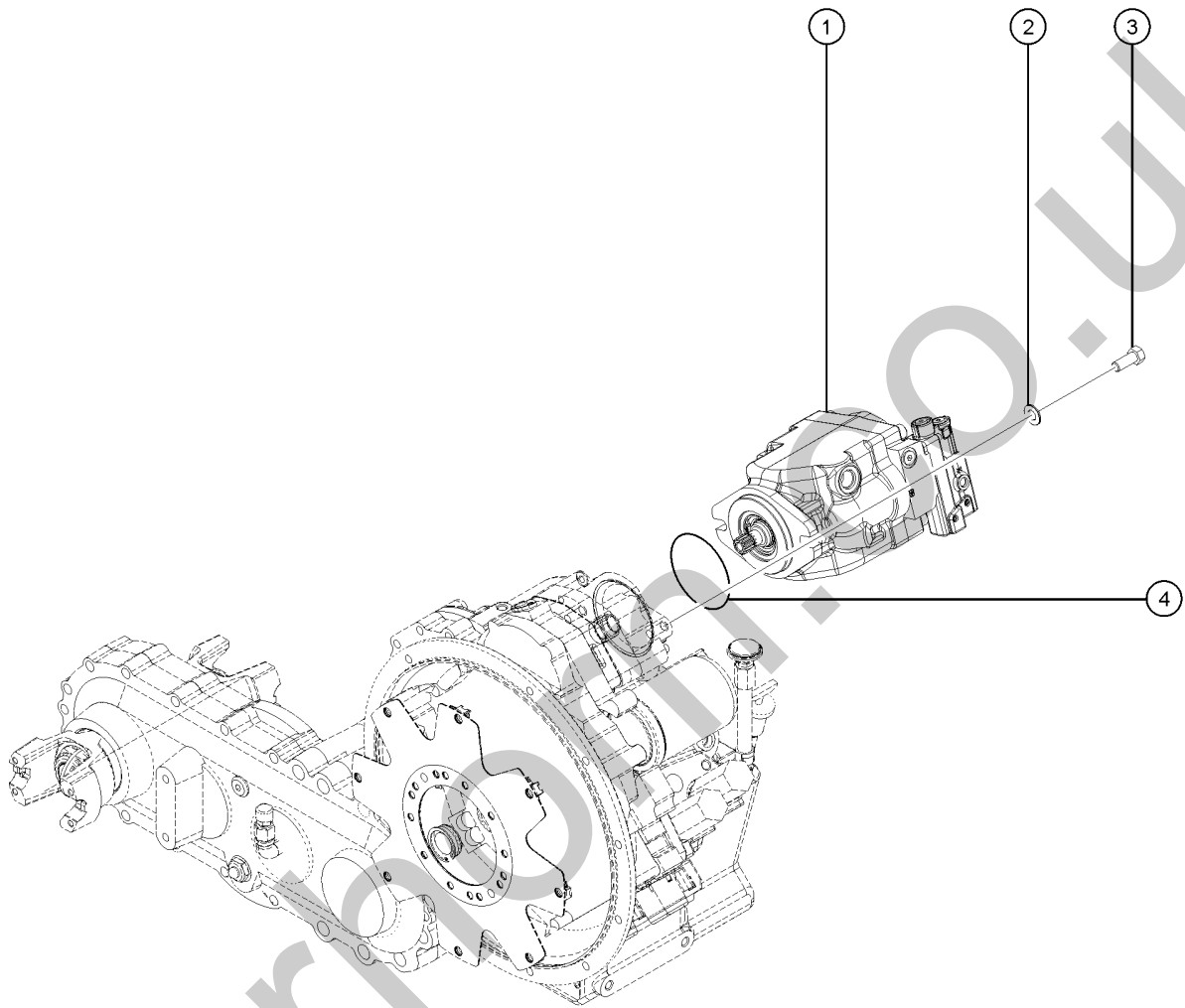
805.1 Brake Manifold



805.1 Brake Manifold

Item	Part No.	Description	Qty.
-		MANIFOLD, BRAKE	
-	39882GT	PLUG,HEX SOCKET,090109B-4	1
-	117655GT	MANIFOLD,BRAKE PRESSURE	1
-	824027GT	NUT, TL FLG, 1/4-20, G, ZAG	2
-	824081GT	SCREW,HHF,1/4-20X1.5,8,ZAG	2
-	229976GT	SWITCH PRESSURE NC, 450PSI	1
1	229977GT	SWITCH,PRESS,NO,50 PSI,04 OR (option)	

806.1 Hydraulic Pump



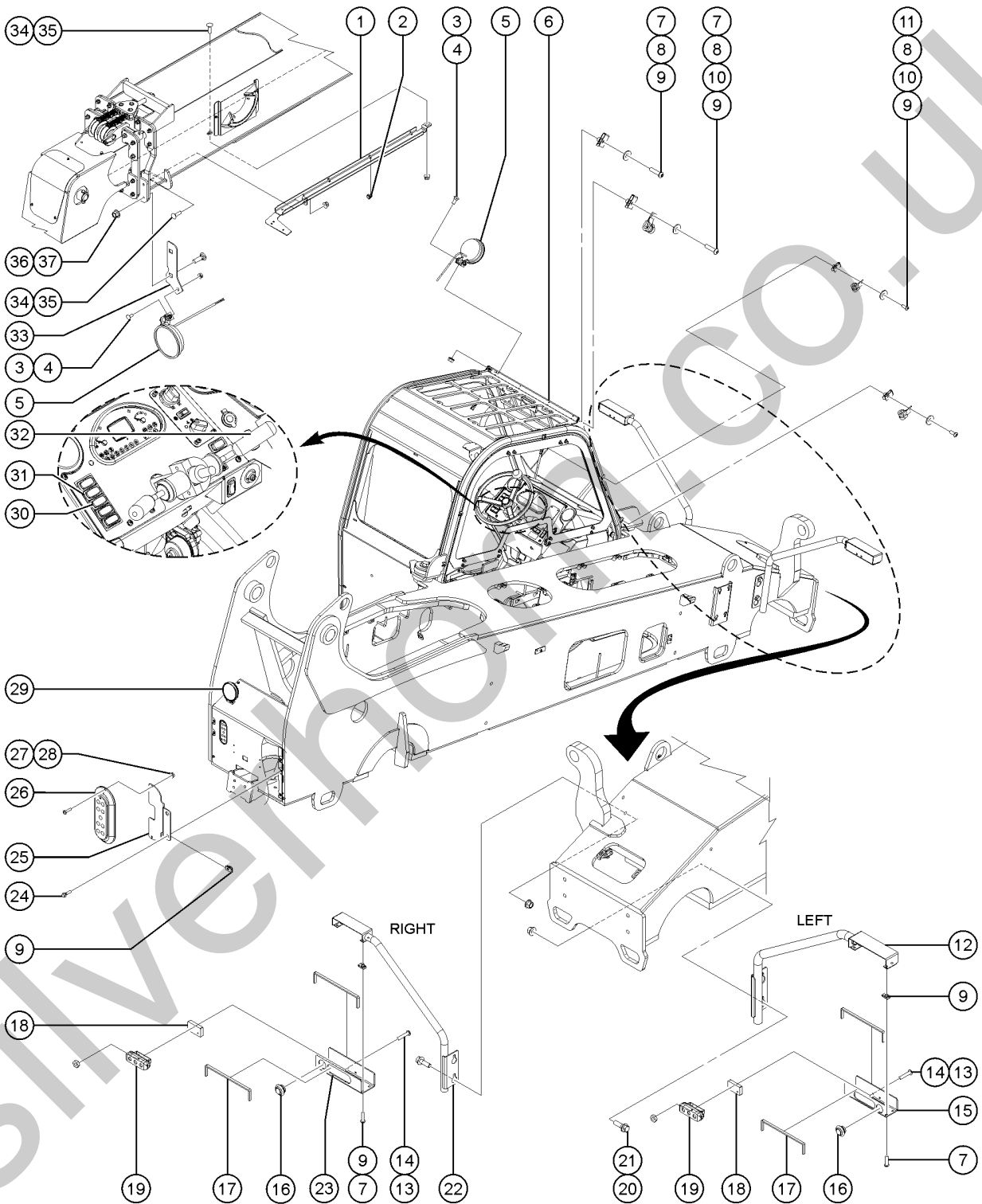
806.1 Hydraulic Pump

<i>Item</i>	<i>Part No.</i>	<i>Description</i>	<i>Qty.</i>
1	823004GT	PUMP,SAUER 38CC LS	1
1-	122669GT	SEAL KIT	1
2	826353GT	WASHER,FLAT,1/2,SAE,HRD,ZAG	2
3	1256843GT	SCREW,HHC,1/2-13X1.25,8,ZAG	2
4	52087GT	O-RING,2-044 BUNA***	1

Silverhorn.CO.UK

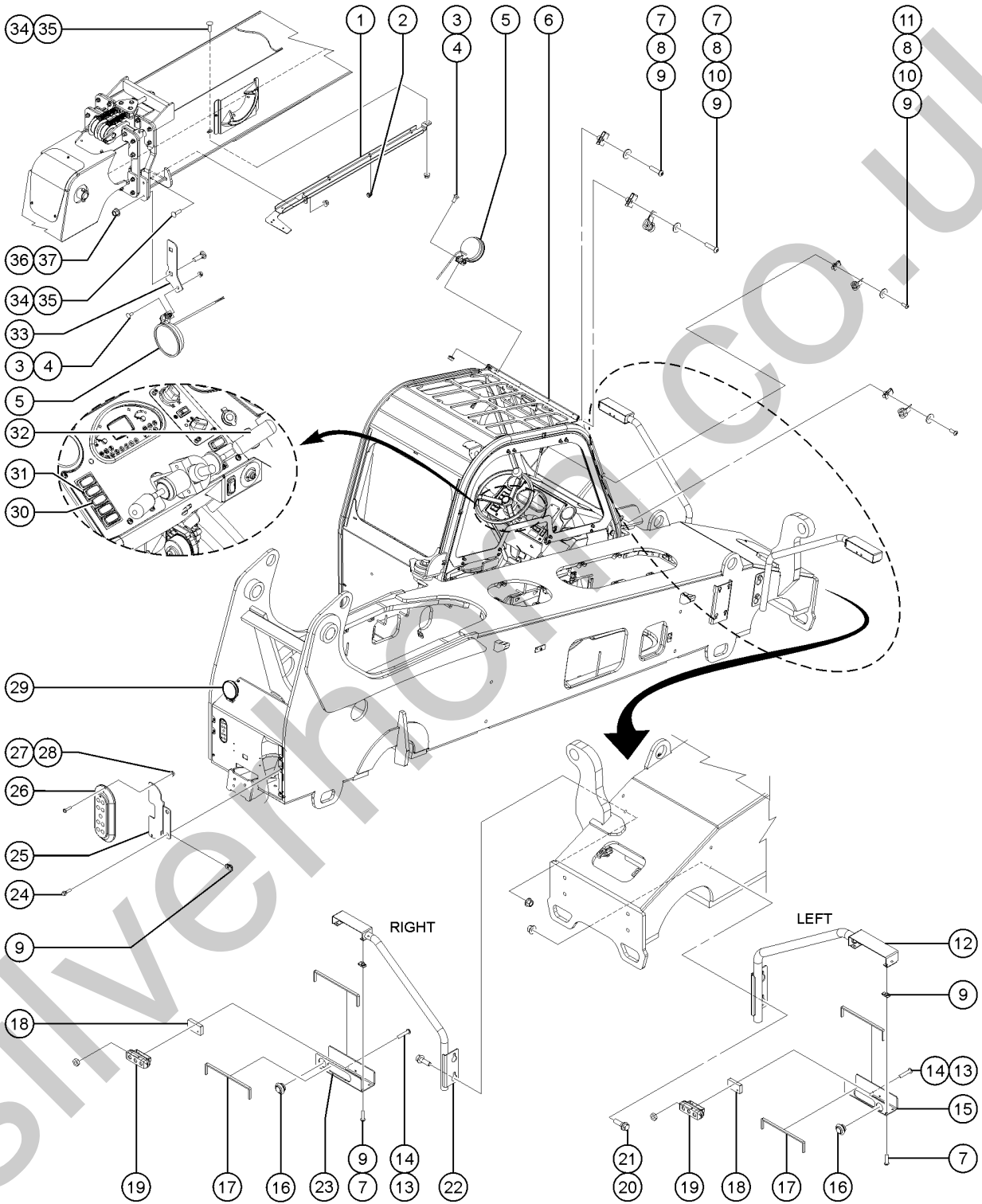


901.1 Worklights/Roadlights



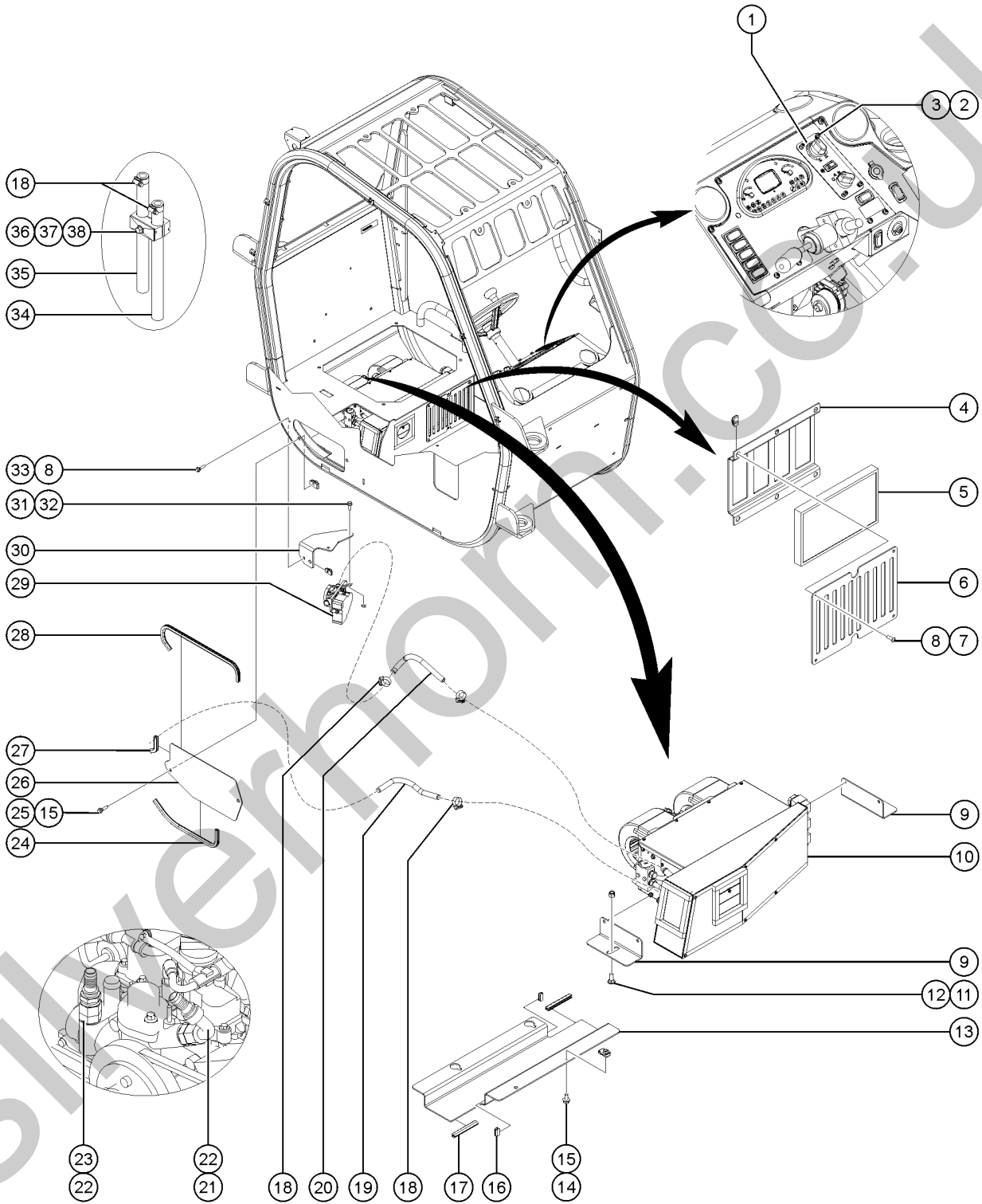
Item	Part No.	Description	Qty.
A	119056GT	CONN, PLUG, 2 WAY, DEUTSCH, DT, ENDCAP	
B	119065GT	CONN, RECEP, 2 WAY, DEUTSCH, DT	
C	1263759GT	HARNESS, BOOM LIGHT POWER	
1	1256648GT	FORMING, BOOM LIGHT SUPPORT	1
1-	123270GT	CLIP,RECEP MOUNT,2,4,6,12 WAY	
1-	87085GT	RIVET,ALUM,P,.188 X .25	
2	28443GT	CABLE TIE, 11.5" BLACK	26
2-	119781GT	MOUNT,CABLE TIE,SWIVEL,NYLON	
3	1257745GT	BOLT,CARRIAGE,5/16-18X.75,5,ZA	2
4	824028GT	NUT,TL FLG,5/16-18,G,ZAG	2
5	1258527GT	HARNESS,LIGHT,LED,CLEAR,5"ROUN	2
5-	1255882GT	LIGHT,LED,CLEAR,5"ROUND 12/24V	
6	1254057GT	FORMING,LIGHT BAR	1
7	824227GT	SCREW, BHC, 1/4-20 X 1, ZAG	12
8	824113GT	WASHER,FLAT,USS,1/4,ZAG	6
9	56912GT	SPRING CLIP,1/4-20,.025-.15X.54,ZAG	18
10	124728GT	CLAMP,0.44,#7X1/4,RUB CUSH	3
11	1256471GT	SCREW,BHC,1/4-20X.625,F835,ZAG	2
12	1254569GT	WELDMENT,MOUNT,ENG,ROAD LIGHT	1
13	1257047GT	SCREW,BHS,10-32X1,F835,ZAG	4
14	1256804GT	NUT,10-32,ZAG	4
15	1254564GT	FORMING,COVER,CAB,ROAD LIGHT	1
16	1255647GT	HARNESS,LIGHT,TURN SIGNAL,AMBR	2
17	69773GT	SEAL,RIBBED FOAM,3/8X1/8 PSA** Qty. 4	13
18	1258715GT	SPACER,LIGHT MOUNT,.500"	2
19	1253241GT	HARNESS,LIGHT,DRIVE,CLEAR,3LED	2
20	1256126GT	SCREW,HHF,5/8-11X2,8,ZAG	4
21	1253319GT	NUT,TL FLG,5/8-11,G,ZAG	4

901.1 Worklights/Roadlights



Item	Part No.	Description	Qty.
22	1254568GT	WELDMENT,MOUNT,CAB,ROAD LIGHT	1
23	1254565GT	FORMING,COVER,ENG,ROAD LIGHT	1
24	824079GT	SCREW,HHF,1/4-20X1,8,ZAG	4
25	1278702GT	FORMING,BRACKET,LED TAIL LIGHT	2
26	229677GT	HARNESS, TAILLIGHT LED	2
27	824032GT	NUT, TL FLG, 10-32, F, ZAG	4
28	824215GT	SCREW, PHPM, 10-32 X .75, ZAG	4
29	237934GT	HARNESS, BACKUP LIGHT	1
29-	22571GT	NUT, HEX, M8 X 1.25	
29-	49379GT	SCREW,HHC,M8 X 1.25 X 25	
29-	49408GT	WASHER, LOCK, M8	
29-	75185GT	SCREW,HHC,M8X1.25X 70MM,GR8.8	
29-	824113GT	WASHER,FLAT,USS,1/4,ZAG	1
30	236348GT	SWITCH, LIGHTS	1
31	1255735GT	SWITCH, BOOM LIGHTS	1
32	7-125-06GT	SWITCH, TURN SIGNAL	1
32-	1256922GT	SCREW,PHPM,10-32X2.25,ZAG	2
32-	824032GT	NUT, TL FLG, 10-32, F, ZAG	2
33	1256649GT	PLATE, BOOM LIGHT MOUNT	1
34	1255757GT	BOLT,CARRIAGE,3/8-16X1.25,5,ZAG	2
35	824029GT	NUT,TL FLG,3/8-16,G,ZAG	2
36	1251997GT	NUT,TL,FLG,1/2-13,G,ZAG	2
37	1256115GT	BOLT,CARRIAGE,1/2-13X1.75,5,ZAG	2
36	1256115GT	BOLT,CARRIAGE,1/2-13X1.75,5,ZAG	2
37	1255735GT	SWITCH, BOOM LIGHTS	1

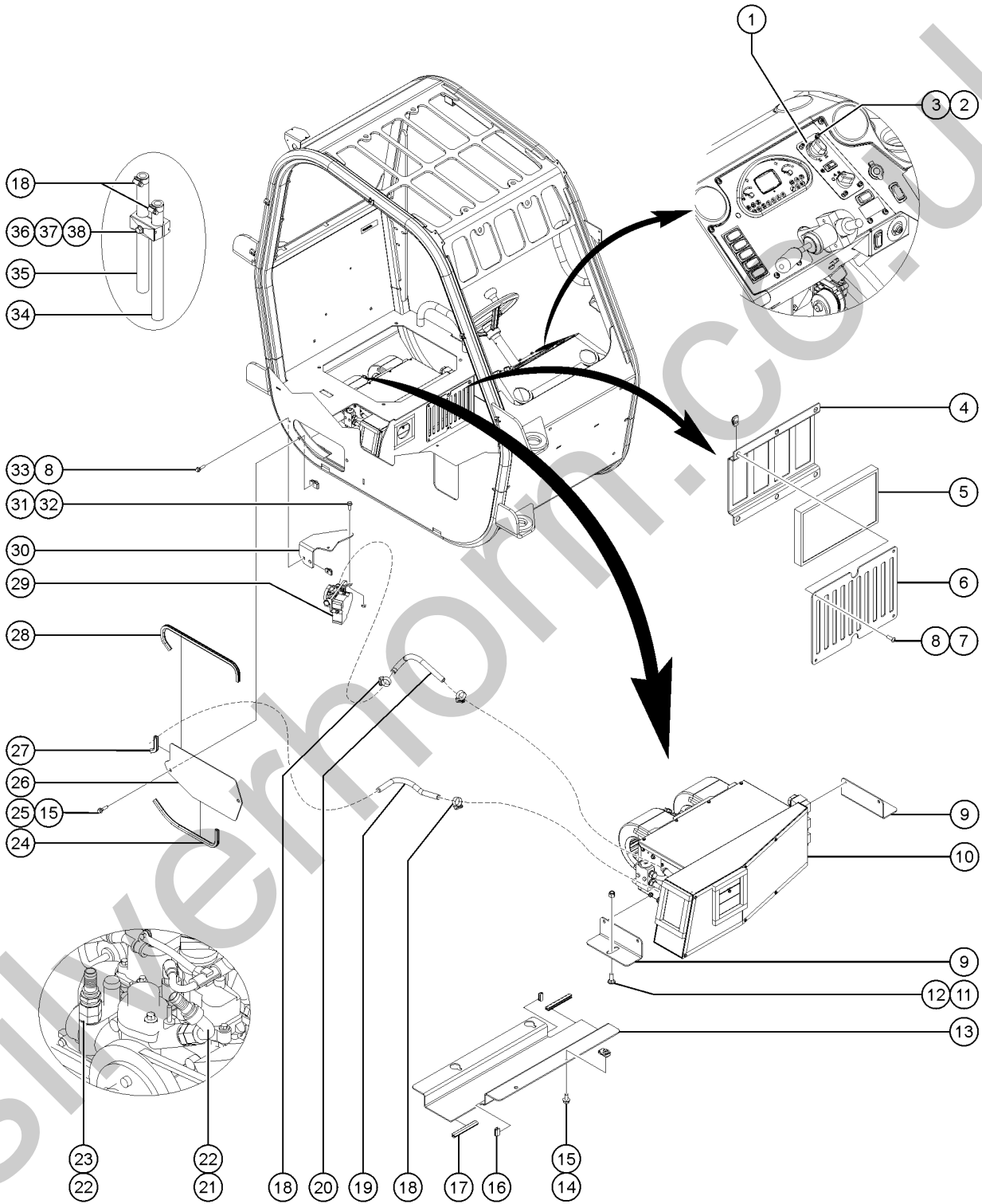
902.1 Cab Heater/AC Detail



902.1 Cab Heater/AC Detail

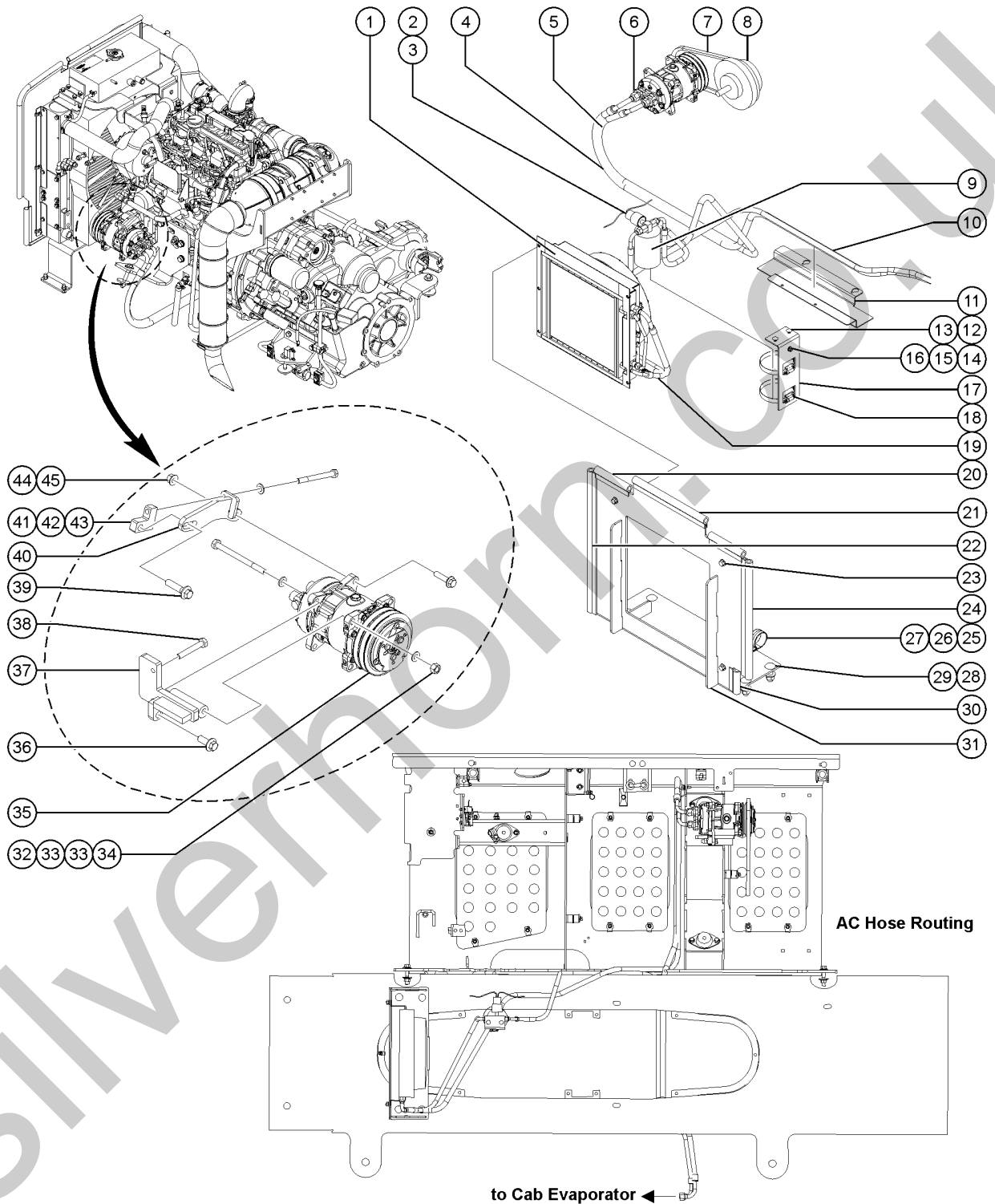
Item	Part No.	Description	Qty.
A	42726GT	WEATHER STRIPPING,1/2"X3/8 THK	13
1	214580GT	HEAT-AC CONTROL 56-0048	1
		(heat control)	
1-	1296261GT	PLUG, HOLE	
1-	34052GT	RELAY,SPDT,12V(AUTO) PLUG IN**	
1-	36206GT	FUSE,25 AMP,ATC	
1B	214579GT	HEAT-AC CONTROL 26-1379	1
		(AC control)	
1B-	34052GT	RELAY,SPDT,12V(AUTO) PLUG IN**	
1B-	36206GT	FUSE,25 AMP,ATC	
2	1256479GT	SCREW,PHPM,10-24X.50,ZAG	4
3	1256467GT	NUT,TL FLG,10-24,F,ZAG	4
4	1254049GT	FORMING,FILTER BRACKET	1
5	214584GT	FILTER, CAB AIR INTAKE	1
6	1254048GT	COVER,CAB AIR INTAKE	1
7	1278088GT	SCREW,BHC,TORX PLUS, 1/4-20X3/4,F835,ZAG	6
8	56912GT	SPRING CLIP,1/4-20,.025-.15X.54,ZAG	8
9	1254046GT	FORMING,HEATER MOUNT	2
10	214585GT	HEATER, GTH	1
		(refer to 904.1)	
10B	214586GT	HEATER-AC, GTH	1
		(refer to 904.1)	
11	824125GT	BOLT,CARRIAGE,3/8-16X1.5,ZAG	2
12	824029GT	NUT,TL FLG,3/8-16,G,ZAG	2
13		REF. FORMING,HOSE COVER,HEAT/AC	
		(refer to 903.1)	
14	824089GT	SCREW, HHF, 3/8-16 X .75, 8, ZAG	2
15	29868GT	SPRING CLIP,3/8-16,.05-.20X.73,ZAG	4
16	46718GT	TRIMLOCK,BLACK,3/16	2
17	46718GT	TRIMLOCK,BLACK,3/16	4
		Qty 2	
18	46131GT	CLAMP,HOSE,.63"-1.0"X .5"	5
19	1702GT	HOSE-HEATER,5/8 ID-BLACK	19
20	1702GT	HOSE-HEATER,5/8 ID-BLACK	16

902.1 Cab Heater/AC Detail



Item	Part No.	Description	Qty.
21	237957GT	CONN,M22X1.5X5/8MALE JIC,90DEG	1
22	237956GT	CONN,M22X1.5X5/8XMALE JIC	2
23	237958GT	CONN,5/8FEM JIC SWIV5/8 HOSBRB	1
24	46718GT	TRIMLOCK,BLACK,3/16	14
25	824090GT	SCREW,HHF,3/8-16X1,8,ZAG	2
26	1254045GT	COVER,PANEL,CAB HEAT	1
26B	1254531GT	COVER,PANEL,CAB AC	1
26B-	46718GT	TRIMLOCK,BLACK,3/16	4
27	46718GT	TRIMLOCK,BLACK,3/16	3
28	46718GT	TRIMLOCK,BLACK,3/16	18
29	214588GT	VALVE, HEATER	1
29-	46131GT	CLAMP,HOSE,.63"-1.0"X .5"	
30	1254047GT	FORMING,VALVE MOUNT	1
31	824078GT	SCREW,HHF,1/4-20X.75,8,ZAG	2
32	824027GT	NUT, TL FLG, 1/4-20, G, ZAG	2
33	824079GT	SCREW,HHF,1/4-20X1,8,ZAG	2
34	1702GT	HOSE-HEATER,5/8 ID-BLACK	76
35	1702GT	HOSE-HEATER,5/8 ID-BLACK	86
36	1257803GT	SCREW,HHF,5/16-18X2,8,ZAG	1
37	229861GT	PLATE, TOP (CLAMP)	1
38	229860GT	CLAMP PAIR,.875 OD	2

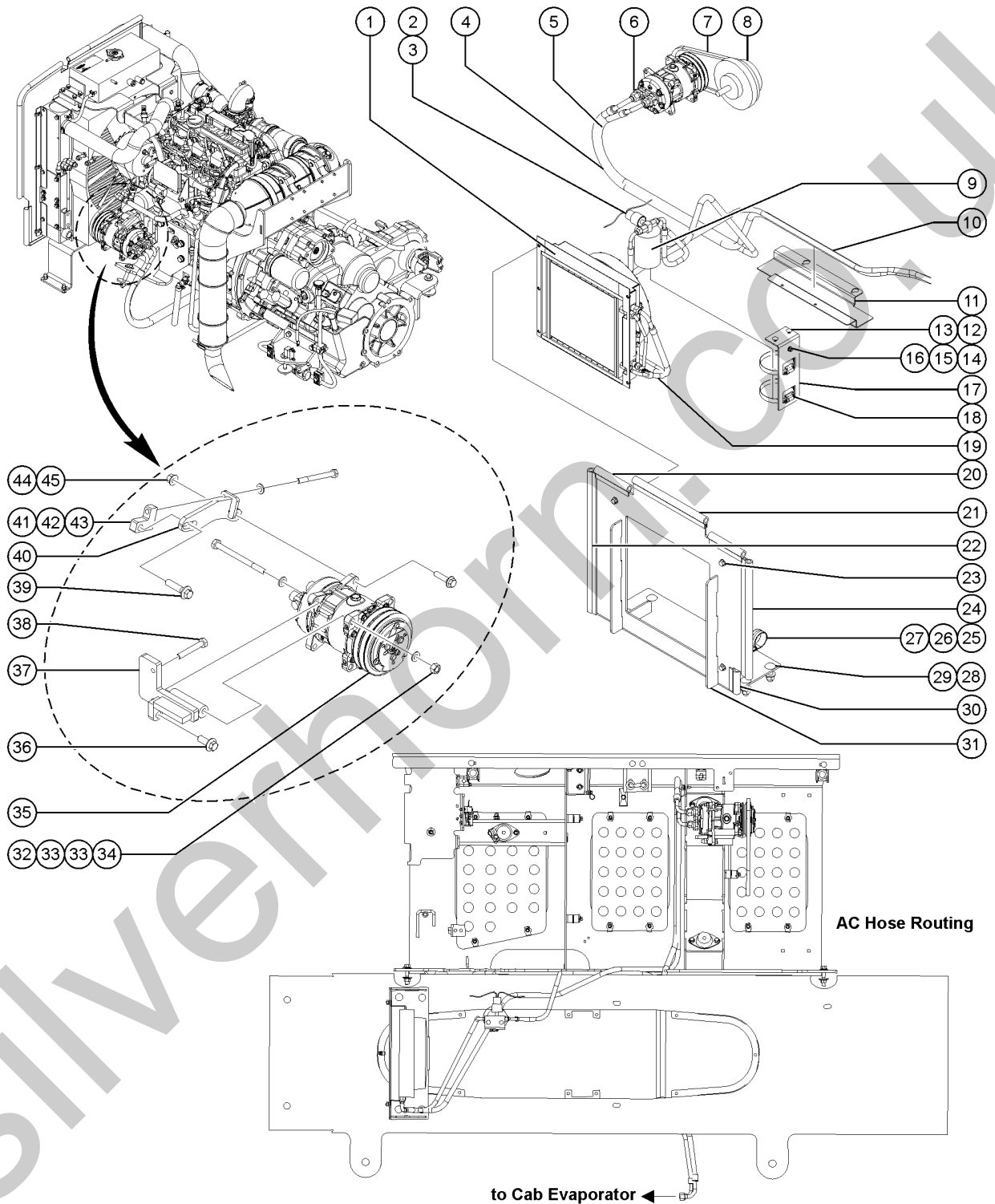
903.1 Deutz AC Components



903.1 Deutz AC Components

Item	Part No.	Description	Qty.
1	1257233GT	CONDENSER,REMOTE MOUNT,12V,305	1
1-	1260044GT	FAN ASSY, CONDENSER 12V 18A	1
2	1258956GT	HARNESS, A/C GTH636	1
3	T107212GT	BINARY SWITCH, AC	1
4	1253087GT	HOSE,REFRIG,#10,W/CHG SPL,EVAP	1
5	1253086GT	HOSE,REFRIG,#8,W/CHG SPL,COMP-	1
6	215754GT	COMPRESSOR MANIFOLD ADAPTOR	1
7	1253080GT	BELT,AC COMP,TD2.9	1
8		REF. ENGINE PULLEY SET,MAIN,TD2.9 (Refer to 503.1)	1
9	T107209GT	RECEIVER-DRIER, AC	1
10	1253085GT	HOSE,REFRIG,#6,DRIER-EVAP	1
11	1254459GT	FORMING,HOSE COVER,HEAT/AC	1
12	824124GT	BOLT, CARRIAGE, 1/4-20 X .75, 5, ZAG	2
13	824027GT	NUT, TL FLG, 1/4-20, G, ZAG	2
14	1256467GT	NUT,TL FLG,10-24,F,ZAG	1
15	1253185GT	WASHER,FLAT,#10,USS,ZAG	1
16	1256282GT	BOLT,CARRIAGE,10-24X.5,5,ZAG	1
17	1278687GT	FORMING,AC DRIER MOUNT,GTH 636	1
18	30971GT	CLAMP,HOSE,3.00"	2
19	1253084GT	HOSE,REFRIG,#6,DRIER-COND	1
20	139261-475GT	TRIM EDGE,3/16X3/4 BULB	2
21	139261-1025GT	TRIM EDGE,3/16X3/4 BULB	1
22	139261-1750GT	TRIM EDGE,3/16X3/4 BULB	1
23	824133GT	SCREW,HHF,M8-1.25X25,DIN6921,10.9,ZAB	5
24	139261-1450GT	TRIM EDGE,3/16X3/4 BULB	1
25	77181GT	CLAMP,1.63,#26 X 3/8,RUB CUSH	1
26	824089GT	SCREW, HHF, 3/8-16 X .75, 8, ZAG	
27	29868GT	SPRING CLIP,3/8-16,.05-.20X.73,ZAG	1

903.1 Deutz AC Components



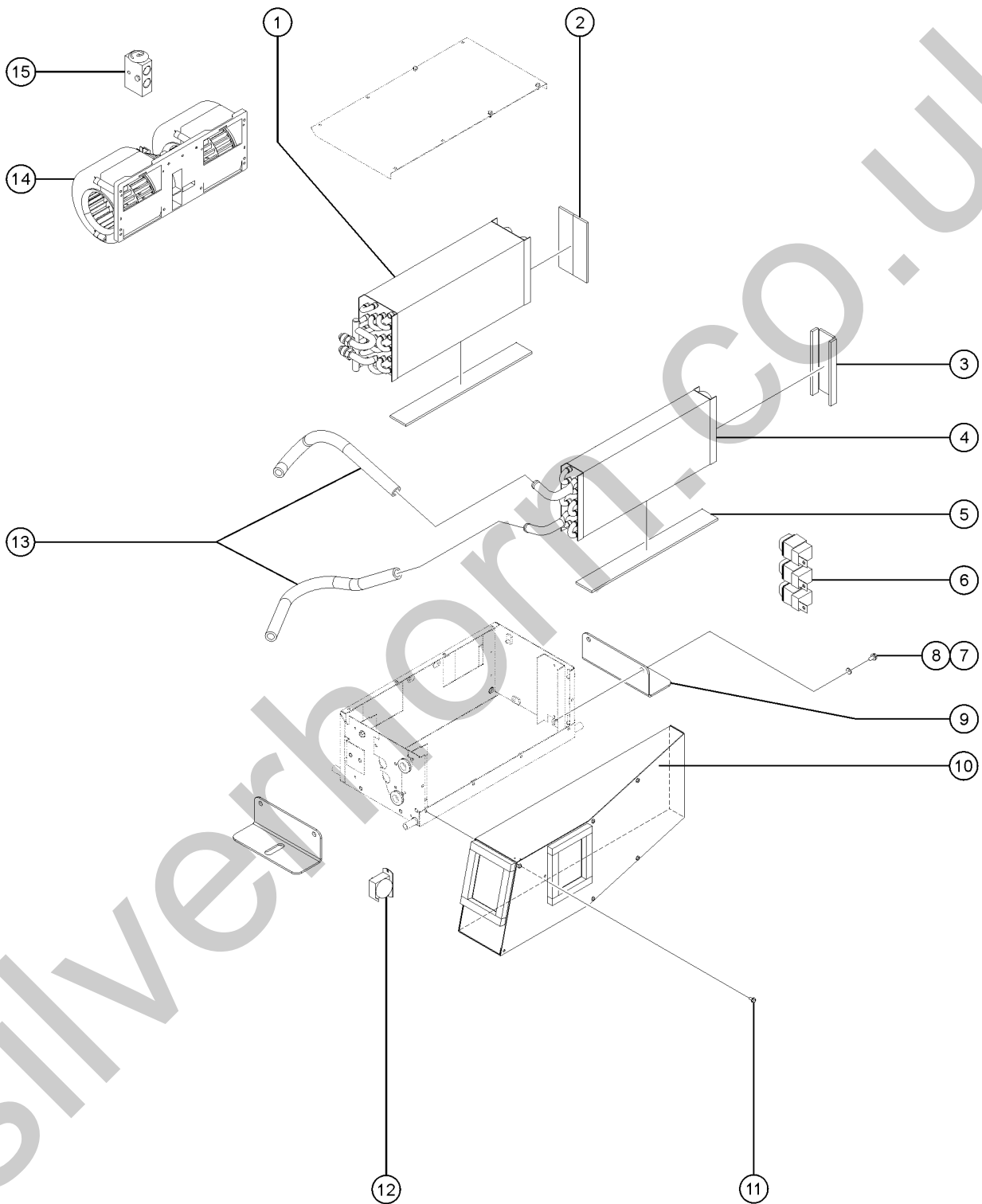
903.1 Deutz AC Components

Item	Part No.	Description	Qty.
28	1256115GT	BOLT,CARRIAGE,1/2-13X1.75,5,ZAG	4
29	1251997GT	NUT,TL,FLG,1/2-13,G,ZAG	4
30	139261-275GT	TRIM EDGE,3/16X3/4 BULB	1
31	1278892GT	WELDMENT,REMOTE CONDENSER MNT	1
32	232951GT	NUT, TL, M10-1.5,DIN980, ZAB to SN GTH06E-13139	1
32B	1283031GT	NUT,NYLOCK,M10-1.5,DIN985,10,ZAB from SN GTH06E-13140	1
33	824145GT	WASHER,FLAT,M10,DIN125,ZAB	2
34	216165GT	SCREW,HHC,M10-1.5X130,10.9,ZAB	1
35	215753GT	A/C COMPRESSOR	1
36	824134GT	SCREW,HHF,M12-1.75X30,DIN6921,10.9,ZAB	1
37	1255870GT	WELDMENT,AC COMP MOUNT	1
38	824136GT	SCREW,HHC,M8-1.25X25,DIN933,10	2
39	232869GT	SCREW,HHF,M12X50,DIN6921, 10.9	1
40	1255873GT	WELDMENT,AC COMP TENSIONER	1
41	1255874GT	PLATE,AC COMP TENSIONER,THREADED	1
42	1255758GT	WASHER,FLAT,3/8,USS,ZAG	1
43	1256122GT	SCREW,HHC,3/8-16X4,8,ZAG	1
44	231529GT	NUT,TL FLG,M10-1.5,DIN6927,10,ZAB to SN GTH06E-13139	1
44B	1283015GT	NUT,NYLOCK FLG,M10-1.5,DIN6926,10,ZAB from SN GTH06E-13140	1
45	232871GT	SCREW,HHF,M10-1.5X40,DIN6921,1	1

Silverline.co.uk

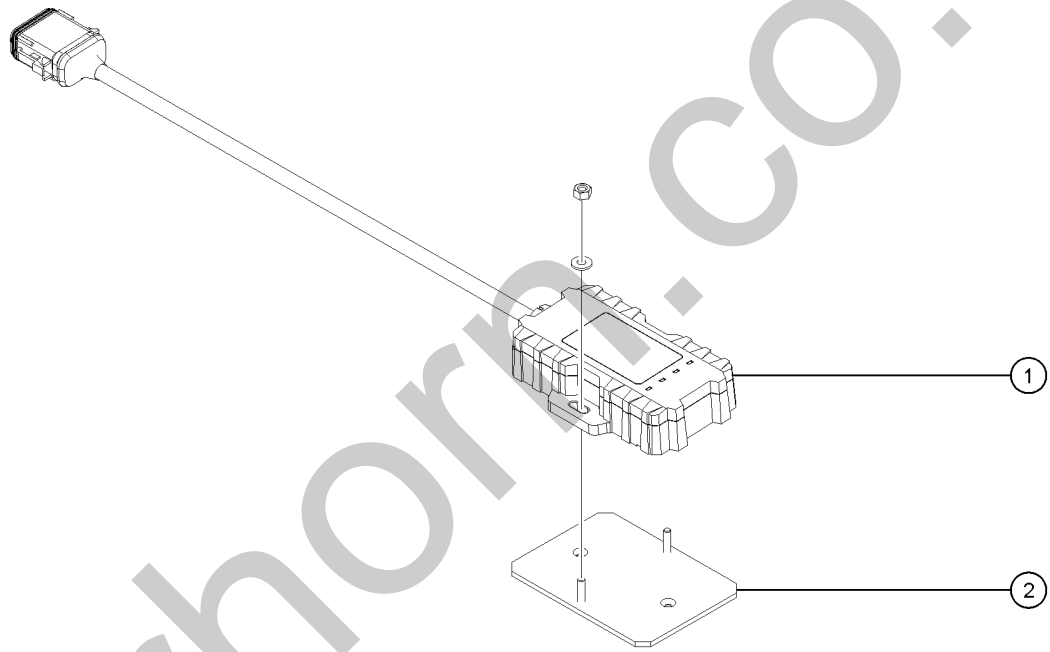


904.1 Heater Components



904.1 Heater Components

Item	Part No.	Description	Qty.
1	235288GT	EVAPORATOR COIL,10XX,AC	1
2	115288GT	FOAM, 1/2 X 343MM (117649)	1
3	115289GT	FOAM, 1/2 X 140MM (117649)	1
4	214585GT	HEATER, GTH	1
5	115287GT	FOAM, 5/8 X 150MM (117649)	2
6	235297GT	RELAY 12V,10XX,AC	3
7	115285GT	TAPPING SCREW M6 X 10 (117649)	4
8	6356GT	WASHER,LOCK,.25	4
9		REF. FORMING, HEATER MOUNT	
		refer to 902.1	
10	217035GT	ASSEMBLY, HEATER/AC DUCT	1
11	115284GT	TAPPING SCREW M4 X 8 (117649)	1
12	231146GT	THERMOSTAT	1
13		REF. HOSE-HEATER,5/8 ID-BLACK	
		refer to 902.1	
14	115268GT	BLOWER (117649) WITH MOTOR	1
15	235299GT	BLOCK VALVE,10XX,AC	1



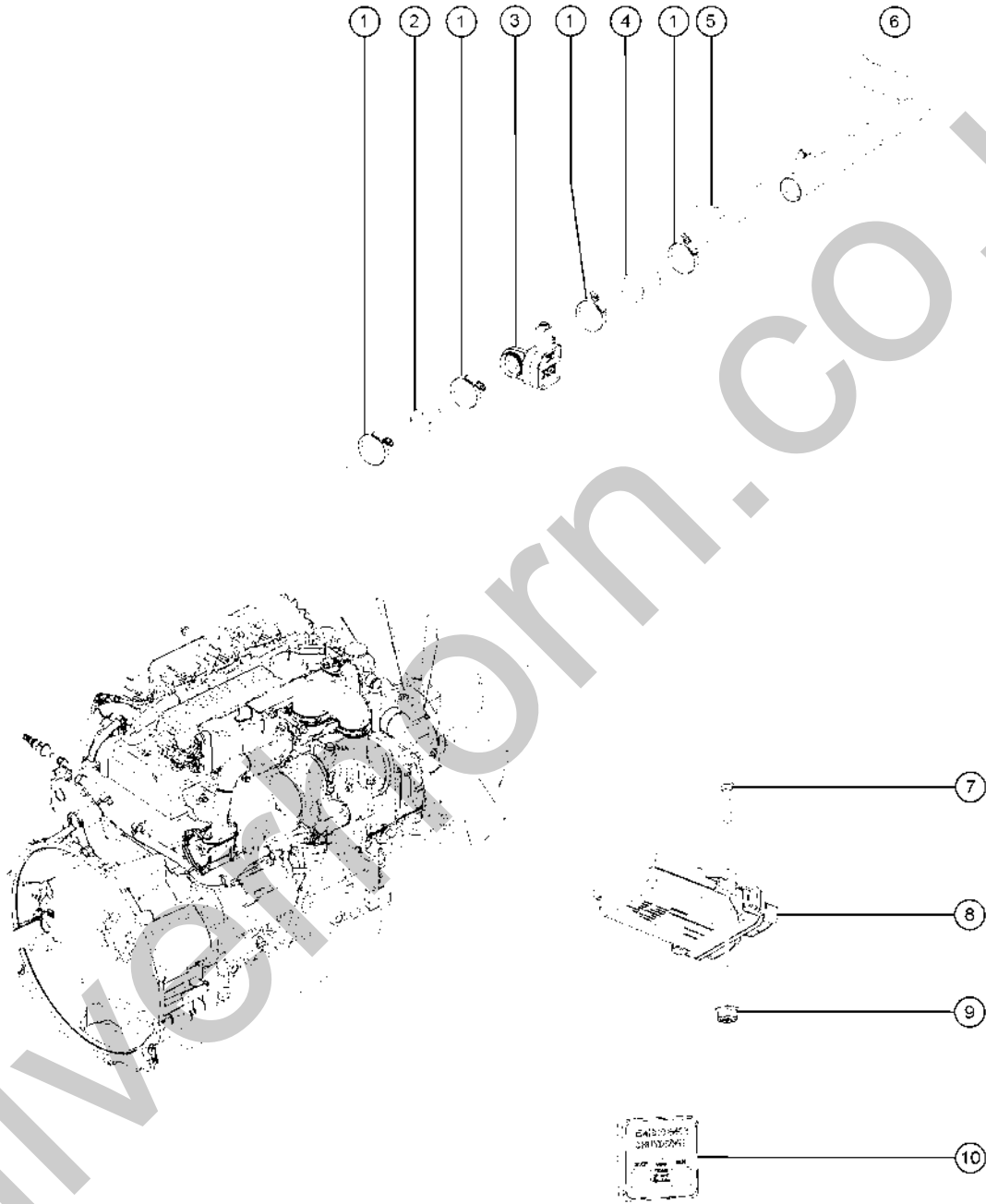
905.1 Telematics Option

Item	Part No.	Description	Qty.
-	1295183GT	HARNES, RETROFIT, M7, GTH-636/844/1056 for first time insulation, must order this Harness with one of the models 1289520GT	1
1	1289520GT	MODULE, TELEMATICS,ZTR,M7,NORTH AMERICA North America	1
2	1289561GT	BRACKET, TELEMATICS	1

Silverhorn.CO.UK



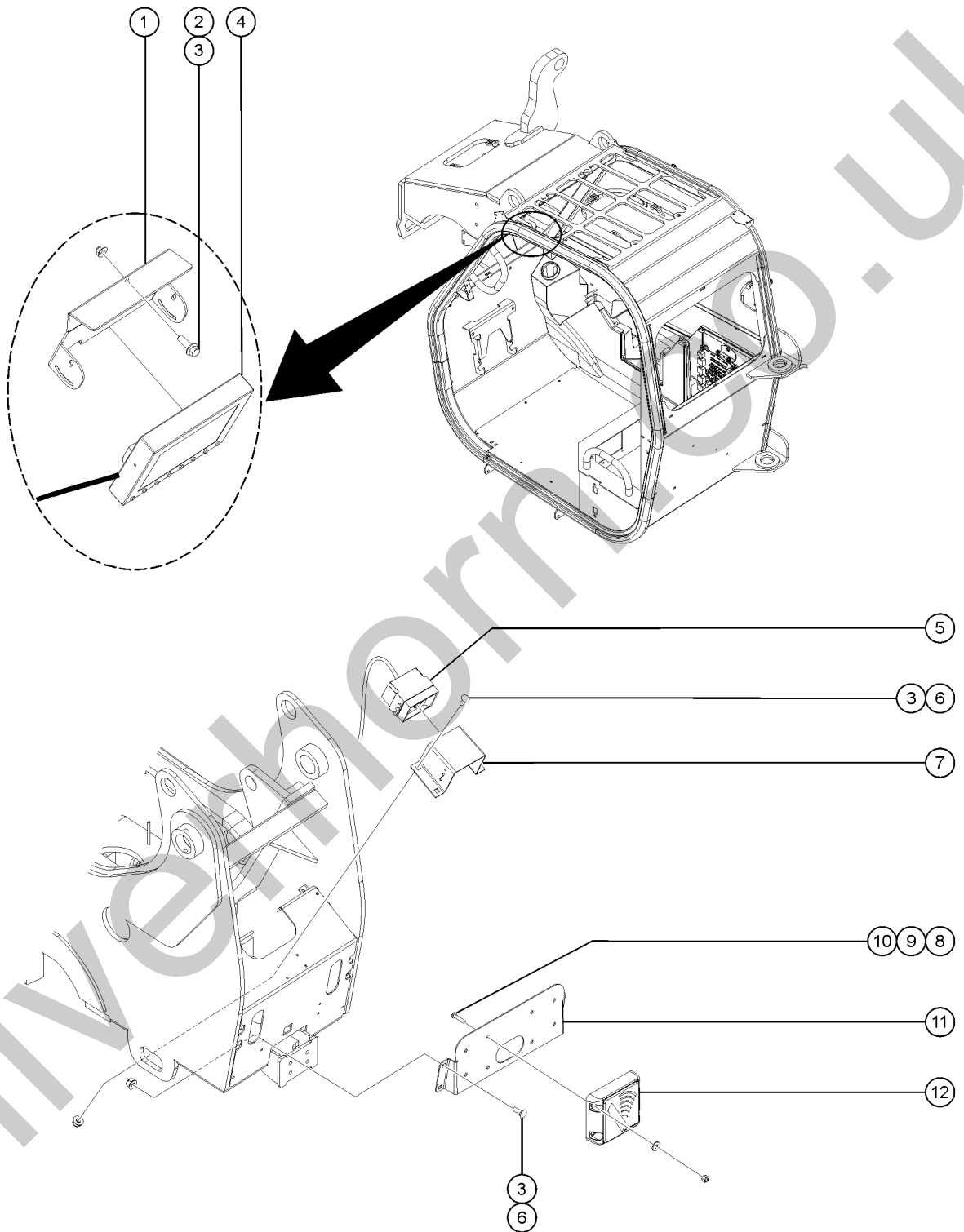
906.1 PASS Option, Deutz 2.9 (from SN GTH06E-13004)



906.1 PASS Option, Deutz 2.9 (from SN GTH06E-13004)

Item	Part No.	Description	Qty.
-	1294166GT	ASSEMBLY,PASS,2.9	1
-	1293850GT	SET,ELECTRONICS,PASS,GTH (includes items 8 & 10)	1
-	1293818GT	HARNESS,UNIVERSAL,PASS (part of 1293850)	1
-	1291079GT	PLUG,PLASTIC,.250,BLK,LOPRO,DULL (without PASS option)	3
1	1261460GT	CLAMP,HOSE,CT,SAE 48,2-9/16"	4
2	1294163GT	HOSE,SILICONE,2.375"ID X 2.0"	1
3	1289529GT	VALVE,SHUTOFF,2.375 X 2.75	1
4	1294162GT	HOSE,SILICONE,2.75"ID X 3.0"	1
5	1289547GT	TUBE,CCV,2.9TD,PASS	1
6	1289544GT	PIPE,INLET,2.9,PASS,GTH	1
7	1256463GT	BOLT,CARRIAGE,1/4-20X1.25,5,ZAG	2
8	1291573GT	CONTROLLER, VCU, DEUTZ 2.9	1
9	1277924GT	NUT,NYLOCK FLG,1/4-20,F,ZAG	2
10	1294030GT	HARNESS,CONTROL PANEL,PASS	1

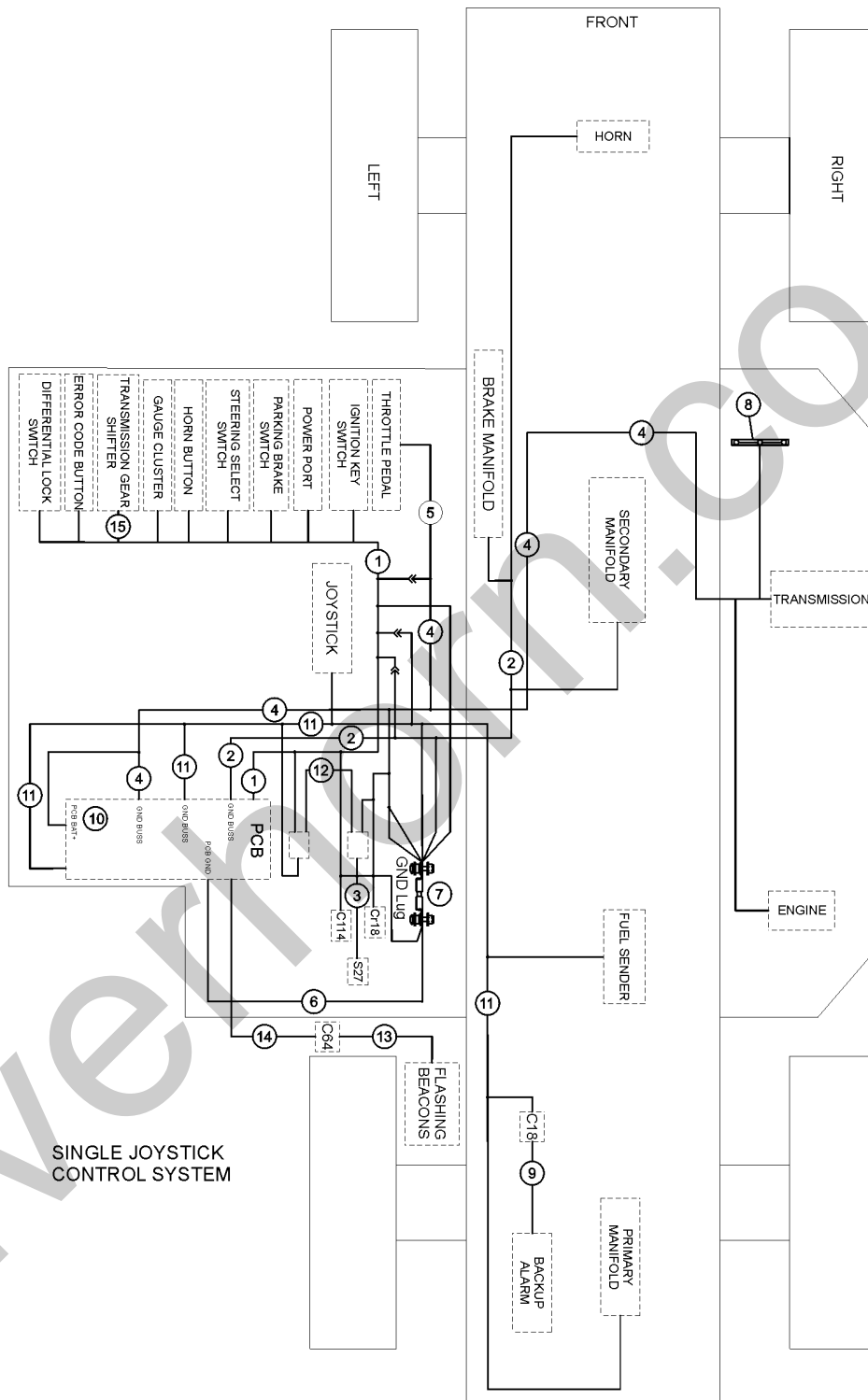
907.1 Backup Camera Option



907.1 Backup Camera Option

Item	Part No.	Description	Qty.
-	1257991GT	HARNES,REAR PROX ALARM,GTH	1
-	123688GT	FUSE,10 AMP,ATC	1
-	53471GT	WIRE LOOM,3/8 NYLON,HI TEMP	300
1	1286120GT	FORMING,BRACKET, BACKUP MONITOR	1
2	824078GT	SCREW,HHF,1/4-20X.75,8,ZAG	2
3	1277924GT	NUT,NYLOCK FLG,1/4-20,F,ZAG	10
4	1286062GT	DISPLAY, BACKUP MONITOR	1
4-	1286241GT	KIT,HARDWARE,BACKUP MONITOR	
4-	7-269-125GT	CLAMP,ADHESIVE BACK,1/2	
5	1286083GT	CAMERA,BACKUP	1
5-	1286247GT	KIT,HARDWARE,BACKUP CAMERA	
6	824124GT	BOLT, CARRIAGE, 1/4-20 X .75, 5, ZAG	8
7	1286082GT	FORMING,BRACKET,BACKUP CAMERA	1
8	1277856GT	SCREW,PHPM,10-24X1,SS	4
9	1278285GT	WASHER,FLAT,#10,USS,SS	4
10	1277857GT	NUT,NYLOCK,10-24,A,SS	4
11	1257488GT	FORMING, RADAR MOUNTING	1
12	1289724GT	SENSOR,REAR PROX ALARM,SENTRY	1

1001.1 Single Joystick System Harnesses

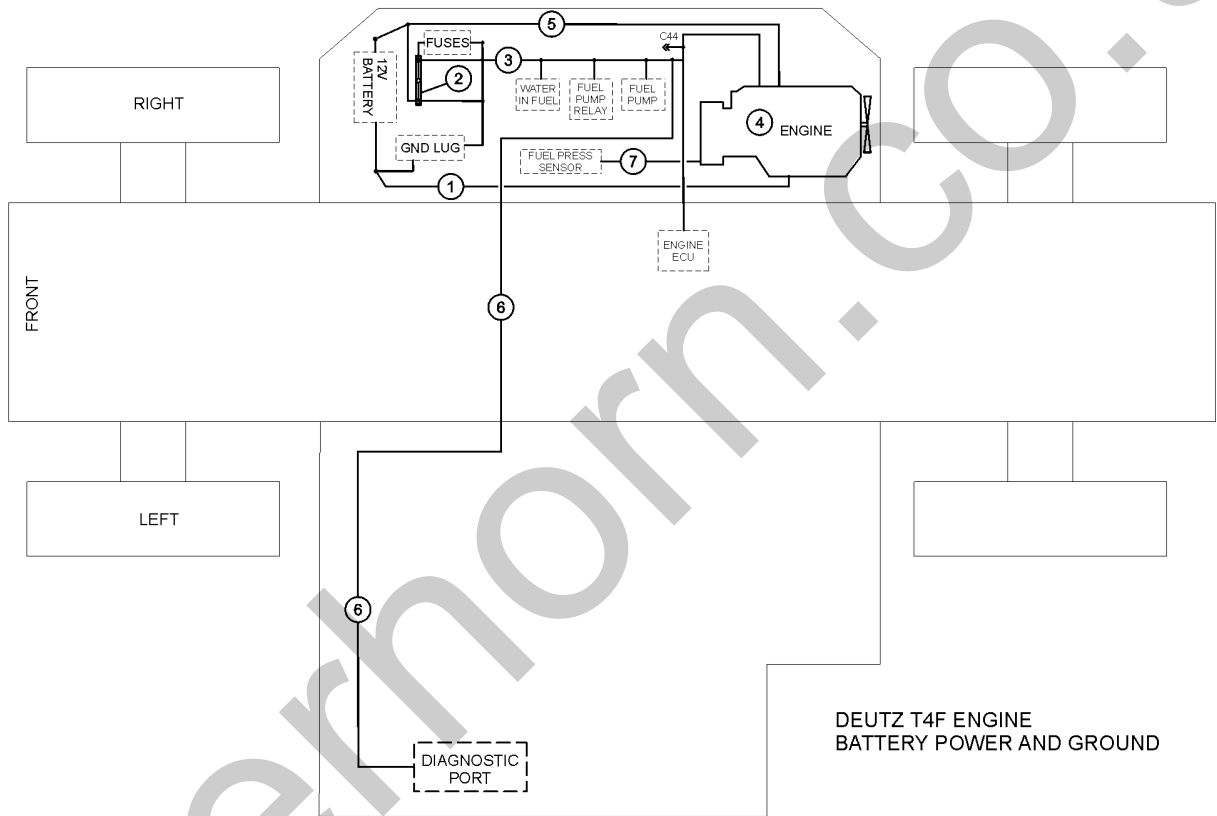


SINGLE JOYSTICK CONTROL SYSTEM

1001.1 Single Joystick System Harnesses

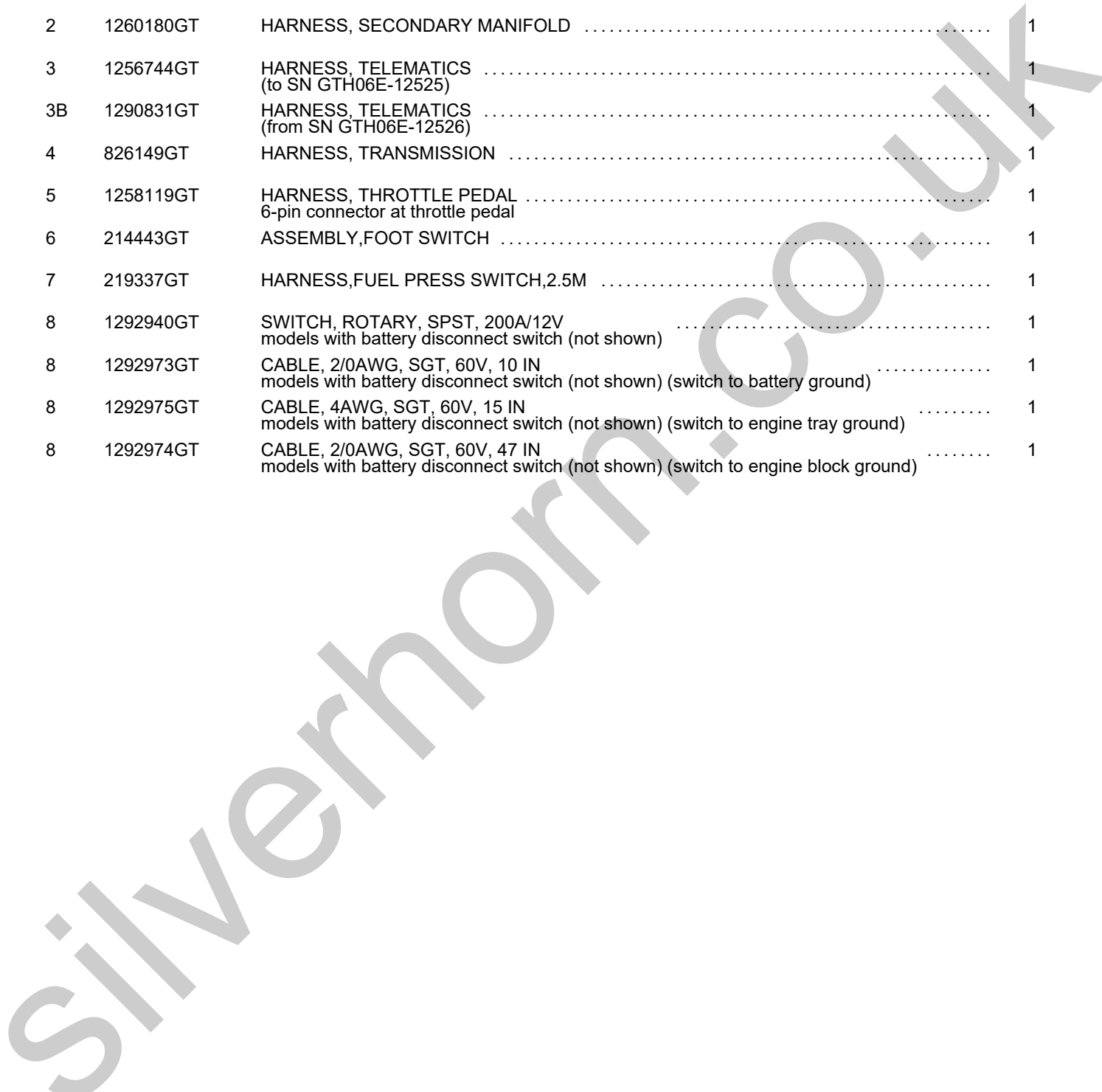
Item	Part No.	Description	Qty.
A	1257991GT	HARNESS,REAR PROX ALARM,GTH	1
1	1283065GT	HARNESS,DASHBOARD,636/844 (to SN GTH06E-12525)	1
1B	1291915GT	HARNESS,DASHBOARD,636/844	1
		(from SN GTH06E-12526)	
2	1282182GT	HARNESS,SECONDARY MANIFOLD,636	1
3	1256744GT	HARNESS, TELEMATICS	1
		(to SN GTH06E-12525)	
3B	1290831GT	HARNESS, TELEMATICS	1
		(from SN GTH06E-12526)	
4	826149GT	HARNESS, TRANSMISSION	1
5	1258119GT	HARNESS, THROTTLE PEDAL	1
		6-pin connector at throttle pedal	
7	161444GT	ASSEMBLY, GROUND BUSS	1
8	824612GT	PLATE, BUSS BAR	1
9	219457GT	HARNESS, BACKUP ALARM	1
10	161524GT	ASSEMBLY, POWER BUSS	1
11	1283713GT	HARNESS,PRIMARY PVG,GTH-6XX	1
12	1283942GT	HARNESS,CAN INTERFACE JUMPER	1
13	229683GT	HARNESS, BEACON LIGHT	1
14	229682GT	HARNESS, POWER, BEACON LIGHT	1
15	162281GT	HARNESS, 3RD GEAR LOCKOUT	1

1002.1 Engine Harnesses - Deutz Engines

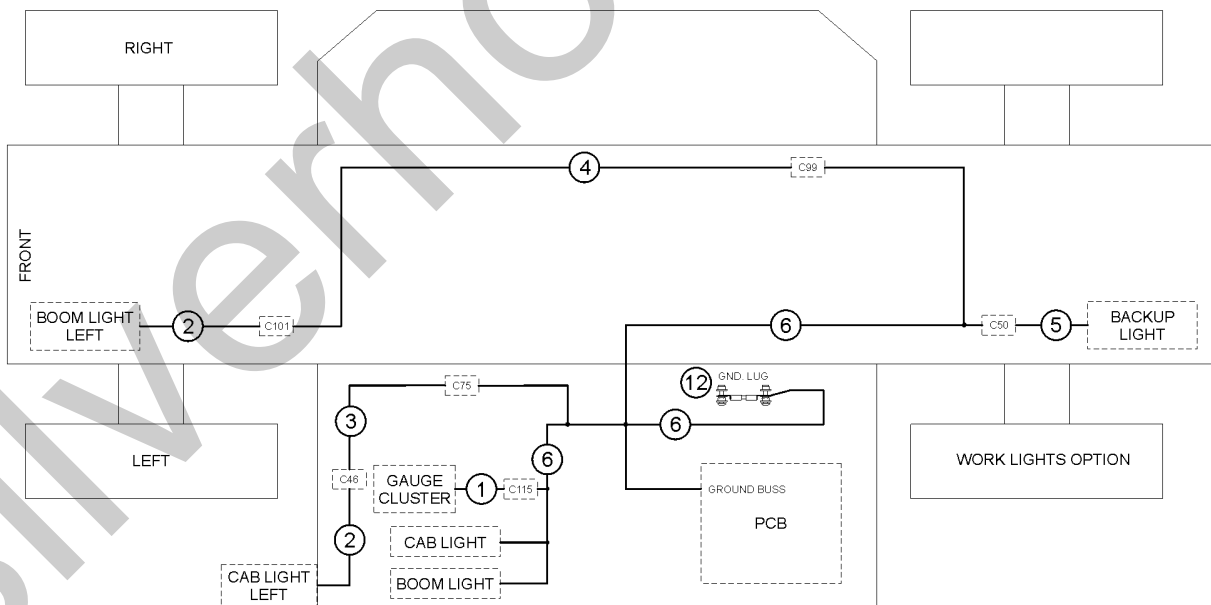
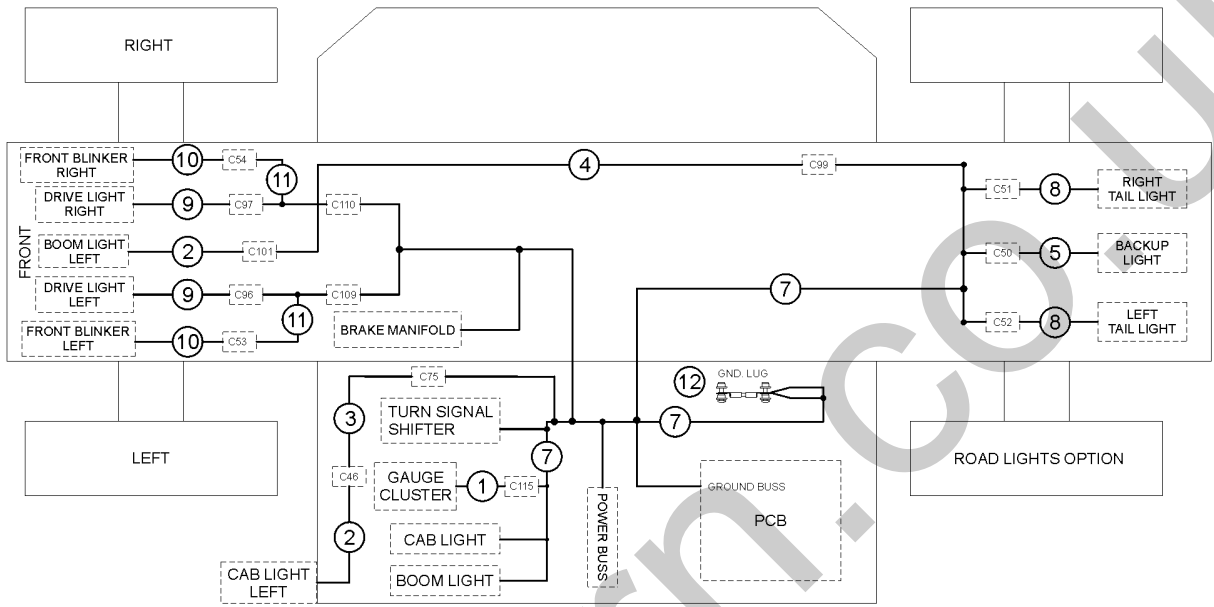


1002.1 Engine Harnesses - Deutz Engines

Item	Part No.	Description	Qty.
1	1256695GT	HARNESS, DASHBOARD	1
2	1260180GT	HARNESS, SECONDARY MANIFOLD	1
3	1256744GT	HARNESS, TELEMATICS	1
		(to SN GTH06E-12525)	
3B	1290831GT	HARNESS, TELEMATICS	1
		(from SN GTH06E-12526)	
4	826149GT	HARNESS, TRANSMISSION	1
5	1258119GT	HARNESS, THROTTLE PEDAL	1
		6-pin connector at throttle pedal	
6	214443GT	ASSEMBLY, FOOT SWITCH	1
7	219337GT	HARNESS, FUEL PRESS SWITCH, 2.5M	1
8	1292940GT	SWITCH, ROTARY, SPST, 200A/12V	1
		models with battery disconnect switch (not shown)	
8	1292973GT	CABLE, 2/0AWG, SGT, 60V, 10 IN	1
		models with battery disconnect switch (not shown) (switch to battery ground)	
8	1292975GT	CABLE, 4AWG, SGT, 60V, 15 IN	1
		models with battery disconnect switch (not shown) (switch to engine tray ground)	
8	1292974GT	CABLE, 2/0AWG, SGT, 60V, 47 IN	1
		models with battery disconnect switch (not shown) (switch to engine block ground)	



1003.1 Work and Road Light Harnesses

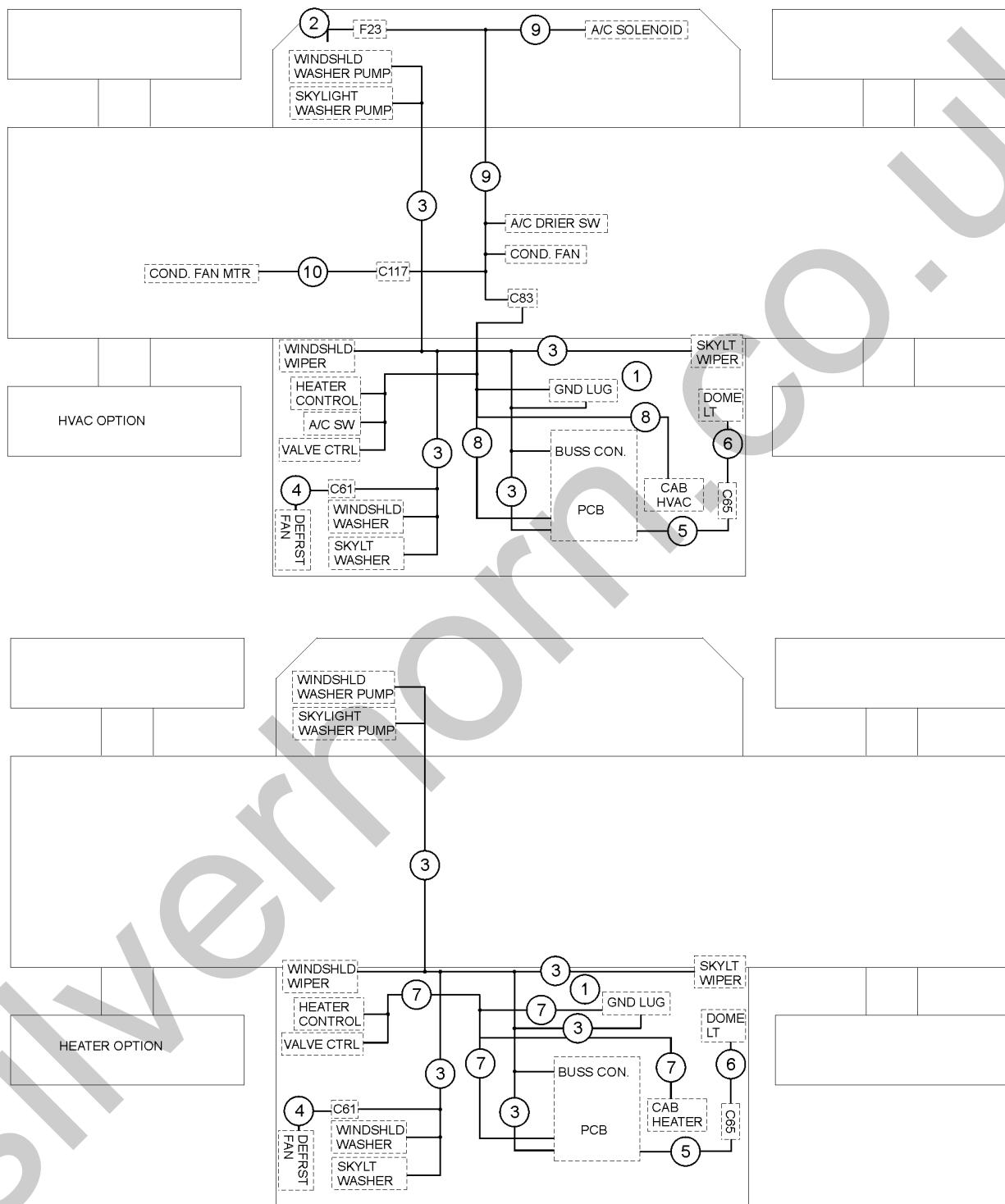


1003.1 Work and Road Light Harnesses

Item	Part No.	Description	Qty.
1	1283065GT	HARNESS,DASHBOARD,636/844 (to SN GTH06E-12525)	1
1B	1291915GT	HARNESS,DASHBOARD,636/844 (from SN GTH06E-12526)	1
2	1258527GT	HARNESS,LIGHT,LED,CLEAR,5"ROUN	2
3	1258775GT	HARNESS, CAB LIGHT POWER	1
4	1263759GT	HARNESS, BOOM LIGHT POWER	1
5	237934GT	HARNESS, BACKUP LIGHT	1
6	1258528GT	HARNESS, WORK LIGHTS	1
7	1255589GT	HARNESS, ROAD LIGHTS	1
8	229677GT	HARNESS, TAILLIGHT LED	2
9	1253241GT	HARNESS,LIGHT,DRIVE,CLEAR,3LED	2
10	1255647GT	HARNESS,LIGHT,TURN SIGNAL,AMBR	2
11	1258919GT	HARNESS, FRONT LIGHTS POWER	2
12	161444GT	ASSEMBLY, GROUND BUSS	1

Silverhorn.CO.UK

1004.1 Cab Heater and HVAC Harnesses



1004.1 Cab Heater and HVAC Harnesses

Item	Part No.	Description	Qty.
1	161444GT	ASSEMBLY, GROUND BUSS	1
2	824612GT	PLATE, BUSS BAR	1
3	1257913GT	HARNESS, ENCLOSED CAB	1
4	234859GT	HARNESS, CAB FAN	1
5	233940GT	HARNESS, POWER, DOME LIGHT	1
6	123817GT	DOME LIGHT WITH CONNECTOR	1
7	234861GT	HARNESS, CAB HEATER	1
8	238126GT	HARNESS, CAB A/C	1
9	1258956GT	HARNESS, A/C GTH636	1
10	1260044GT	FAN ASSY, CONDENSER 12V 18A	1

<u>Part no.</u>	<u>Page Number</u>	<u>Part no.</u>	<u>Page Number</u>	<u>Part no.</u>	<u>Page Number</u>
3-1085-10GT	197	7-126-402GT	83	7-126-472GT	97, 99, 101
3-1467-60GT	197	7-126-403GT	83	7-126-473GT	97, 99, 101
5-2030GT	191	7-126-404GT	83	7-126-474GT	97, 99, 101
5-2040-223GT	185, 193	7-126-405GT	85	7-126-475GT	97, 99, 101
5-2041-2GT	199	7-126-409GT	85	7-126-476GT	97, 99, 101
5-2137GT	191	7-126-411GT	87	7-126-477GT	97, 99, 101
6-6243-06GT	185, 191	7-126-412GT	87	7-126-478GT	97, 99, 101
7-119-01GT	23	7-126-413GT	87	7-126-479GT	97, 99, 101
7-125-05GT	125	7-126-414GT	87	7-126-480GT	97, 101
7-125-06GT	225	7-126-415GT	87	7-126-481GT	97, 101
7-126-04GT	81, 83	7-126-416GT	87	7-126-482GT	97
7-126-05GT	83	7-126-417GT	91	7-126-484GT	99
7-126-30GT	83	7-126-418GT	87	7-126-485GT	99, 101
7-126-33GT	83	7-126-419GT	87	7-126-486GT	99
7-126-54GT	109	7-126-420GT	87	7-126-487GT	99
7-126-60GT	109	7-126-421GT	87	7-126-489GT	99
7-126-92GT	81, 83	7-126-423GT	89	7-126-490GT	99
7-126-208GT	93	7-126-424GT	89	7-126-491GT	99
7-126-234GT	87	7-126-428GT	89	7-126-492GT	99, 105
7-126-265GT	83	7-126-429GT	89	7-126-495GT	101
7-126-277GT	87	7-126-431GT	89, 95	7-126-496GT	101
7-126-307GT	105	7-126-434GT	91	7-126-497GT	101
7-126-349GT	13, 93, 161, 175	7-126-435GT	91	7-126-498GT	101
7-126-350GT	93	7-126-437GT	91	7-126-506GT	107
7-126-355GT	81	7-126-438GT	91	7-126-507GT	107
7-126-356GT	85	7-126-439GT	91	7-126-516GT	109
7-126-357GT	83	7-126-442GT	93	7-126-684GT	93
7-126-359GT	83	7-126-443GT	93	7-126-688GT	81
7-126-361GT	93	7-126-444GT	93	7-126-768GT	107
7-126-362GT	93	7-126-445GT	93	7-126-777GT	107
7-126-365GT	105, 113	7-126-446GT	93	7-126-779GT	107
7-126-366GT	111	7-126-448GT	93	7-144-09GT	151
7-126-369GT	105	7-126-458GT	95	7-147-41GT	125
7-126-371GT	107	7-126-459GT	95	7-147-44GT	125
7-126-381GT	101	7-126-460GT	95	7-229-528GT	71
7-126-385GT	81	7-126-461GT	95	7-229-536GT	57, 71
7-126-388GT	81	7-126-464GT	95	7-229-537GT	57, 71
7-126-389GT	81	7-126-466GT	97	7-229-538GT	57, 71
7-126-391GT	81, 83, 93, 111	7-126-468GT	97, 99, 101	7-229-540GT	57, 71
7-126-399GT	83	7-126-469GT	97	7-229-541GT	57
7-126-400GT	83	7-126-470GT	101	7-229-543GT	53, 57, 71
7-126-401GT	83	7-126-471GT	101	7-229-544GT	57, 71

<u>Part no.</u>	<u>Page Number</u>	<u>Part no.</u>	<u>Page Number</u>	<u>Part no.</u>	<u>Page Number</u>
7-229-546GT	71	7-229-730GT	59	28750GT	11
7-229-549GT	57, 71	7-229-731GT	59	29868GT	37, 117, 121, 123, 133, 149...
7-229-550GT	57, 71	7-229-733GT	59	30370GT	201
7-229-552GT	57, 71	7-229-768GT	111	30438GT	173
7-229-553GT	59, 71	7-229-823GT	75	30489GT	157, 171
7-229-555GT	57, 71	7-229-922GT	57, 71	30490GT	31, 147
7-229-561GT	51	7-229-925GT	69	30971GT	231
7-229-562GT	51, 73	7-229-939GT	49	30973GT	35
7-229-568GT	51, 67, 73, 79	7-229-943GT	57, 71	32150GT	11
7-229-569GT	51	7-229-945GT	59	32151GT	11
7-229-570GT	51, 73	7-229-963GT	73	33278GT	45, 47
7-229-573GT	51, 73	7-229-994GT	71	33994GT	11
7-229-574GT	51, 73	7-234-04GT	205	34052GT	227
7-229-575GT	51, 73	7-269-125GT	241	34053GT	127
7-229-576GT	51, 73	7-273-32GT	191	36206GT	227
7-229-582GT	51, 73	7-319-17GT	41, 47	36208GT	155, 169
7-229-583GT	51, 73	07.0709.1290GT	57, 71	38149GT	15
7-229-587GT	53, 75	1268GT	11	39542GT	125
7-229-588GT	53, 75	1484GT	11	39882GT	219
7-229-589GT	53, 75	1702GT	163, 177, 227, 229	42077GT	47
7-229-590GT	53, 75	4828GT	31, 39, 41	42726GT	227
7-229-591GT	53, 75	5397GT	37	43392GT	141, 143, 147
7-229-596GT	53, 75	6024GT	25	44723GT	205
7-229-597GT	75	6356GT	235	44743GT	115
7-229-599GT	53	11890GT	143	44909GT	155, 169, 181
7-229-600GT	53, 75	13014GT	153, 169	45470GT	135
7-229-620GT	67, 79	13268GT	39, 163, 177, 181	46131GT	31, 181, 227, 229
7-229-621GT	67, 79	16073GT	35	46718GT	151, 167, 227, 229
7-229-622GT	67, 79	18666GT	121	47478GT	47, 123, 137, 145
7-229-623GT	73	19273GT	163, 177, 181	48773GT	181, 183
7-229-716GT	57	21465GT	31	48875GT	209
7-229-717GT	57	22558GT	157, 163, 171, 177	48878GT	209
7-229-718GT	57	22571GT	225	48880GT	131
7-229-719GT	57	22699GT	161, 175	48904GT	209
7-229-720GT	57	22736GT	161, 175	48905GT	209
7-229-721GT	59	24514GT	115	48908GT	131
7-229-722GT	59	25368GT	153, 169	48912GT	209, 213
7-229-723GT	59	25548GT	163, 177	48915GT	209
7-229-724GT	59	27581GT	11	48916GT	209
7-229-726GT	59	28159GT	15, 19	48930GT	209
7-229-727GT	59	28443GT	181, 183, 223	48933GT	211
7-229-729GT	59	28455GT	33, 209	48946GT	209, 211

<u>Part no.</u>	<u>Page Number</u>	<u>Part no.</u>	<u>Page Number</u>	<u>Part no.</u>	<u>Page Number</u>
48952GT	209, 211	54428GT	209, 211	93500GT	11
48960GT	211	55517GT	43	101566GT	27
48974GT	211	56912GT	25, 29, 41, 125, 151, 133...	105214GT	121
48975GT	211	58322GT	121	105633GT	159, 173
48976GT	209, 211	60584GT	37, 143	105759GT	127
48978GT	209	60875GT	41	108857GT	197
48983GT	209	61074-4950GT	211	110149GT	125
49117-7800GT	207	61074-5800GT	211	114090GT	15, 19
49117-10600GT	207, 211	61074-16800GT	207	114115GT	15, 19
49118-7108GT	207	61083GT	209, 211	115268GT	235
49119-13750GT	207	61264GT	209	115284GT	235
49119-15100GT	207	65879GT	217	115285GT	235
49120-9881GT	207	66399GT	11	115287GT	235
49126-21000GT	207, 211	67349GT	153, 167	115288GT	235
49128-1534GT	207	69773GT	23, 223	115289GT	235
49128-1734GT	207	71911GT	159, 173	117125GT	27, 45
49128-3600GT	207	74902GT	217	117312GT	37
49128-5559GT	207	75042GT	213	117379GT	13, 31
49128-7500GT	207	75185GT	225	117655GT	219
49128-21000GT	207, 211	75257GT	33	117666GT	33
49129-21000GT	207	77014GT	201	117765GT	11
49130-4182GT	207	77051GT	45, 47	117774GT	191
49130-4700GT	207	77181GT	231	117776GT	39
49130-4900GT	207	77309GT	191	117780GT	185
49130-5500GT	207	77311-3356GT	211	117809GT	209
49130-6600GT	207	77311-5700GT	211	119056GT	223
49130-8932GT	207	78086GT	125	119065GT	223
49130-14500GT	207	78546GT	31	119219GT	153, 167
49131-11889GT	207	79090GT	123	119781GT	223
49163-2094GT	207	79579GT	185	121608-5075GT	207
49183-4700GT	211	80220GT	133	121777GT	209, 211
49207GT	131	81476GT	167	122669GT	221
49379GT	225	81578GT	25	123108GT	119
49408GT	225	82366GT	15, 19	123136GT	125
49410GT	159	82558GT	15	123139GT	115
49411GT	157, 163, 171, 177	82560GT	19	123148GT	31
49612GT	11	87075GT	125	123150GT	35
49613GT	11	87085GT	127, 223	123152GT	33
49924GT	13, 165, 179	87188GT	31, 155, 169	123168GT	191
52087GT	221	87684GT	33, 39, 153, 167	123175GT	191
53471GT	241	88406GT	115	123176GT	25, 191
54204GT	31	88949-7500GT	207	123177GT	39, 191

<u>Part no.</u>	<u>Page Number</u>	<u>Part no.</u>	<u>Page Number</u>	<u>Part no.</u>	<u>Page Number</u>
123179GT	211	130160GT	137, 139	160649GT	193
123180GT	211	130161GT	143	161444GT	127, 243, 247, 249
123181GT	211	130163GT	157, 159, 141, 145, 145, 147...	161446GT	41
123184GT	191	130164GT	133	161524GT	127, 243
123185GT	191	130189GT	157, 159, 145, 145, 147, 149	161534GT	217
123188GT	45, 199, 205	130198GT	137, 139	161991GT	157, 171
123189GT	115	130203GT	137, 139	161992GT	163, 177
123192GT	25	130208GT	137, 139	161993GT	155, 169
123200GT	121	130215GT	149	161994GT	153, 169
123201GT	121	130220GT	149	161995GT	157, 171
123222GT	135	130223GT	151	162208GT	181
123245GT	135	130241GT	135	162209GT	181
123270GT	127, 223	130243GT	133	162281GT	243
123286GT	47	130254GT	147	162342GT	205
123287GT	23	130258GT	147	214228GT	13, 181
123500GT	199	130259GT	135	214354GT	159
123545GT	193	130301GT	135	214418GT	15
123556GT	23	130319GT	205	214419GT	15
123561GT	123, 127	130327GT	135	214437GT	151
123567GT	123, 131	130353GT	205	214443GT	245
123568GT	123	130416GT	199	214537GT	161, 175
123569GT	121	130536GT	133	214579GT	227
123572GT	119, 121, 129	130872GT	185	214580GT	227
123577GT	45, 47	133206GT	15, 19	214581GT	119
123677GT	35, 163, 177	138077GT	93	214584GT	227
123688GT	241	139261-275GT	233	214585GT	227, 235
123817GT	249	139261-475GT	231	214586GT	227
123838GT	211	139261-1025GT	231	214588GT	229
123896GT	195	139261-1450GT	231	214715GT	135
123897GT	199	139261-1750GT	231	214795GT	159, 173
123920GT	23	141090GT	193	215254GT	41
124728GT	223	141650GT	161, 175	215268GT	15
130070GT	107	141707GT	185, 187, 193	215384GT	15, 19
130071GT	107	141708GT	185, 187, 193	215644GT	19
130107GT	205	141713GT	187, 193	215645GT	19
130123GT	157, 159, 145, 145, 147, 149	141717GT	187	215646GT	19
130124GT	137, 139, 145, 145, 147, 149	141729GT	187, 193	215647GT	19
130126GT	143	141733GT	187	215648GT	19
130132GT	145	141735GT	187	215753GT	233
130134GT	145, 149	141745GT	39, 185, 187	215754GT	231
130147GT	147	141935GT	187	215771GT	151
130157GT	121	141949GT	197	215772GT	151

<u>Part no.</u>	<u>Page Number</u>	<u>Part no.</u>	<u>Page Number</u>	<u>Part no.</u>	<u>Page Number</u>
216165GT	233	220097GT	89	220142GT	111
216208GT	15	220098GT	89	220143GT	111
216567GT	201	220099GT	89	220144GT	111
216568GT	201	220100GT	89	220145GT	111
216569GT	201	220101GT	99	220146GT	111
216570GT	201	220102GT	83	220147GT	111
216571GT	201	220103GT	83	220148GT	111
216572GT	201	220104GT	83	220149GT	111
216635GT	201	220105GT	83	220154GT	111
216745GT	163, 177	220106GT	83, 111	220155GT	113
217035GT	235	220107GT	83	220161GT	95
217158GT	201	220108GT	83	220166GT	93
218100GT	125	220109GT	83	220167GT	93
218489GT	141	220110GT	83	220168GT	93
218493GT	87	220112GT	83	220184GT	105
218706GT	11	220113GT	83, 111	220185GT	101
218707GT	11	220114GT	85	220186GT	101
218708GT	13	220115GT	85	220188GT	99
218714GT	155, 169	220116GT	85	220189GT	107
218715GT	153, 167	220117GT	85	226306GT	125
219337GT	245	220118GT	107	226812GT	197
219457GT	29, 243	220119GT	107	226813GT	197
219471GT	37	220120GT	107	226814GT	197
219626GT	15, 19	220121GT	107	227108GT	125
220078GT	95	220122GT	107	227162GT	31
220079GT	95	220123GT	107	227493GT	107
220080GT	91	220124GT	107	228389GT	197, 205
220081GT	93	220125GT	107	228391GT	197, 201
220082GT	93	220126GT	107	228392GT	197, 201
220083GT	81	220127GT	107	228744-5900GT	207
220084GT	97	220130GT	111	228752-5100GT	211
220085GT	97	220131GT	111	229302GT	133
220086GT	105	220132GT	111	229303GT	135
220087GT	105	220133GT	111	229304GT	117, 127
220088GT	105	220134GT	111	229675GT	161, 175
220089GT	101	220135GT	111	229677GT	225, 247
220090GT	103	220136GT	111	229682GT	243
220092GT	87	220137GT	111	229683GT	243
220093GT	87	220138GT	111	229819GT	127
220094GT	89	220139GT	111	229853GT	23
220095GT	89	220140GT	111	229860GT	37, 229
220096GT	89	220141GT	111	229861GT	37, 229

<u>Part no.</u>	<u>Page Number</u>	<u>Part no.</u>	<u>Page Number</u>	<u>Part no.</u>	<u>Page Number</u>
229976GT	219	236280GT	127	822507GT	153, 169
229977GT	219	236334GT	153, 169	822508GT	157, 171
229978GT	121	236348GT	225	822509GT	159, 173
229987GT	115, 161, 175	236350GT	137	822511GT	159
229989GT	161, 175	236351GT	139	822621GT	39, 157, 161, 171, 175
229993GT	163, 177	236436GT	127	822636GT	167
229994GT	35	236441GT	185	822637GT	167
230007GT	139	236667GT	133	822641GT	163, 177
230008GT	133	236782GT	133	822677GT	47
230009GT	137, 139	236783GT	149	822901GT	43
230030GT	133	237067GT	147	823000GT	37
230043GT	133	237235GT	217	823004GT	221
230044GT	137	237236GT	217	823009GT	161, 175
230045GT	141	237599GT	15	823059GT	153, 169
231037GT	217	237601GT	15	823064GT	191
231118GT	133	237605GT	15	823121GT	25
231119GT	147	237662GT	125	823122GT	25
231123GT	147	237667GT	137	823128GT	41
231146GT	235	237721GT	19	823141GT	43
231257GT	35	237722GT	19	823142GT	41
231330GT	133	237726GT	19	823253GT	37
231513GT	41	237820GT	41, 157, 171	823420-1772GT	181
231529GT	233	237832GT	41, 117	823421GT	181, 183
231917GT	127	237933GT	127	823842GT	37
231931GT	115	237934GT	225, 247	823843GT	37
232869GT	233	237956GT	229	823930GT	195
232871GT	233	237957GT	229	823931GT	27
232951GT	233	237958GT	229	823932GT	199
233651GT	31	237970GT	15	823933GT	29
233815GT	45	237971GT	15	823934GT	45
233940GT	249	238126GT	249	824025GT	195
234859GT	133, 249	640696GT	147	824027GT	41, 53, 55, 41, 41, 115...
234861GT	249	822265GT	201	824028GT	37, 153, 167, 205, 223
234961GT	159, 173	822275GT	201	824029GT	43, 51, 55, 41, 115, 123...
234962GT	159, 173	822352GT	41	824030GT	201
234969GT	35	822493GT	153, 167	824032GT	135, 193, 225
235288GT	235	822494GT	167	824038GT	117, 125
235297GT	235	822495GT	167	824059GT	41, 133
235299GT	235	822496GT	155, 169	824068GT	27, 45
235637GT	185, 191	822501GT	153, 167	824073GT	45
236259GT	181	822504GT	159	824077GT	195
236260GT	13, 183	822505GT	165, 179	824078GT	131, 229, 241

<u>Part no.</u>	<u>Page Number</u>	<u>Part no.</u>	<u>Page Number</u>	<u>Part no.</u>	<u>Page Number</u>
824079GT	23, 29, 35, 41, 123, 163...	825019GT	29, 45	826171GT	119
824080GT	35, 127	825242GT	31	826219GT	187
824081GT	185, 219	825243GT	31	826228GT	187
824085GT	29	825244GT	31	826233GT	185, 191
824086GT	153, 167	825355GT	41, 115	826345GT	15, 19
824087GT	191	825358GT	25, 41, 47, 125, 195	826353GT	221
824089GT	31, 201, 227, 231	825511GT	157, 171	826360GT	27
824090GT	31, 123, 125, 155, 157, 163...	825560GT	157, 171	826377GT	163, 177
824091GT	125	825561GT	157, 171	826378GT	163, 177
824092GT	161, 175	825689GT	165, 179	826522GT	39
824095GT	133	825695GT	165, 179	826550GT	39
824096GT	205	825696GT	165, 179	826551GT	37
824110GT	27, 45, 185	825697GT	157, 171	826607GT	195
824113GT	41, 111, 123, 127, 133, 141...	825698GT	157, 171	826612GT	195
824119GT	143	825700GT	165, 179	826616GT	195
824120GT	153, 157, 167, 171	825703GT	13	826784GT	25
824124GT	27, 41, 141, 163, 171, 193	825704GT	165, 179	826918GT	191
824125GT	23, 37, 41, 113, 123, 127...	825706GT	153, 169	1251562GT	53, 59
824131GT	151	825708GT	163, 177	1251587GT	31
824132GT	167	825709GT	153, 169	1251598GT	31
824133GT	39, 231	825712GT	165, 179	1251757GT	31
824134GT	233	825760GT	27	1251862GT	185
824135GT	147	825767GT	27	1251983GT	153, 167
824136GT	233	825768GT	27	1251991GT	35
824142GT	161, 175	825769GT	29	1251997GT	33, 37, 119, 157, 161, 171...
824145GT	233	825796GT	205	1252028GT	165, 179
824146GT	163, 177	825811GT	23	1252048GT	159, 173
824206GT	127	825812GT	23	1252532GT	51
824215GT	193, 225	825813GT	25	1252540GT	51, 73
824227GT	117, 223	825949GT	47	1252541GT	49, 53, 69, 75
824612GT	35, 243, 249	825950GT	47	1252543GT	59
824660GT	31	825995GT	23	1252544GT	51, 73
824673GT	165, 179, 181	826000GT	181	1252548GT	51
824770GT	47	826001GT	163, 177	1252549GT	63
824775GT	159	826021GT	187	1252550GT	75
824856GT	35	826049GT	185	1252554GT	51, 67, 73, 79
824987GT	163, 177	826136GT	27	1252557GT	59
824989GT	45	826141GT	193	1252559GT	63
824991GT	39	826142GT	193, 211	1252564GT	53, 75
825005GT	37	826143GT	193, 211	1252566GT	63
825006GT	159, 173	826149GT	243, 245	1252569GT	71
825015GT	159	826169GT	187	1252570GT	57

<u>Part no.</u>	<u>Page Number</u>	<u>Part no.</u>	<u>Page Number</u>	<u>Part no.</u>	<u>Page Number</u>
1252577GT	49, 69	1253958GT	121	1254460GT	37
1252578GT	51, 69, 73	1253960GT	121	1254531GT	229
1252579GT	49, 51, 69, 73	1253961GT	117	1254532GT	201
1252583GT	63	1253962GT	147, 151	1254533GT	201
1252586GT	59, 63	1253967GT	147	1254564GT	223
1252624GT	63	1253968GT	151	1254565GT	225
1252625GT	63	1253969GT	143	1254568GT	225
1252627GT	49, 69	1253970GT	143	1254569GT	223
1252628GT	63	1253971GT	149	1254594GT	153, 169
1252670GT	51, 73	1253972GT	141	1254805GT	37
1252673GT	63	1253974GT	137	1254806GT	37
1252674GT	51, 63, 67, 73, 79	1253976GT	145	1254966GT	197
1252676GT	59	1253977GT	133	1254967GT	197, 201, 205
1252678GT	159, 171	1253978GT	133	1254968GT	197
1252742GT	173	1253979GT	133	1254969GT	197
1252750GT	173	1253981GT	117	1254970GT	201
1253080GT	231	1253982GT	123	1254971GT	201
1253084GT	231	1253983GT	121	1254972GT	201
1253085GT	231	1254024GT	197	1254975GT	165, 179
1253086GT	231	1254025GT	185	1254977GT	161, 175
1253087GT	231	1254033GT	125	1254984GT	27
1253091GT	15, 19	1254034GT	115	1255000GT	161, 175
1253185GT	115, 231	1254045GT	229	1255001GT	35
1253241GT	223, 247	1254046GT	227	1255050GT	197
1253319GT	223	1254047GT	229	1255051GT	197
1253474GT	117	1254048GT	227	1255052GT	197
1253475GT	117	1254049GT	227	1255070GT	199
1253478GT	197	1254050GT	197	1255071GT	199
1253490GT	35, 163, 177	1254052GT	123	1255393GT	117, 121, 125
1253496GT	45	1254053GT	123	1255452GT	201
1253497GT	47	1254055GT	115	1255512GT	23
1253498GT	185	1254056GT	35	1255535GT	125
1253641GT	183	1254057GT	223	1255578GT	27
1253642GT	181	1254073GT	173	1255589GT	247
1253643GT	181	1254079GT	173	1255629GT	39, 41, 117
1253757GT	31	1254082GT	211	1255630GT	41, 135
1253815GT	201, 205	1254083GT	211	1255647GT	223, 247
1253843GT	185, 191	1254146GT	119	1255652GT	41
1253892GT	171	1254148GT	117	1255690GT	25
1253948GT	125	1254258GT	31	1255735GT	225
1253956GT	119	1254405GT	205	1255739GT	87
1253957GT	127	1254459GT	231	1255756GT	33, 147

<u>Part no.</u>	<u>Page Number</u>	<u>Part no.</u>	<u>Page Number</u>	<u>Part no.</u>	<u>Page Number</u>
1255757GT	23, 31, 33, 133, 151, 185	1256125GT	121, 127, 131	1256605GT	123
1255758GT	29, 31, 41, 111, 133, 147...	1256126GT	25, 29, 223	1256648GT	223
1255759GT	33	1256127GT	27, 151, 159, 173	1256649GT	225
1255760GT	23, 31, 123, 133, 151, 161...	1256176GT	151	1256679GT	23, 117, 121, 125, 127
1255763GT	25	1256219GT	13	1256695GT	245
1255764GT	25, 123, 159, 173	1256220GT	13	1256744GT	243, 245
1255774GT	23	1256282GT	115, 161, 175, 231	1256788GT	185
1255775GT	23	1256283GT	157, 161, 171, 175	1256804GT	223
1255776GT	23	1256284GT	161, 175	1256843GT	221
1255777GT	25	1256285GT	161, 175	1256845GT	27
1255797GT	37	1256286GT	161, 175	1256856GT	187, 189
1255798GT	37	1256287GT	157, 161, 171, 175	1256863GT	45
1255799GT	37	1256308GT	27	1256864GT	205
1255800GT	37, 191	1256310GT	205	1256922GT	225
1255801GT	37	1256323GT	119	1256923GT	197
1255802GT	39, 197	1256349GT	45	1257036GT	155, 169
1255803GT	35, 163, 177	1256370GT	39	1257046GT	131
1255804GT	37	1256450GT	41, 115	1257047GT	223
1255805GT	35, 41	1256451GT	137, 139, 147	1257103GT	23
1255806GT	159, 161, 173, 175	1256452GT	137	1257104GT	23
1255807GT	161, 175	1256453GT	137, 139, 145, 149	1257213GT	161, 175
1255823GT	15, 19	1256454GT	139, 143	1257233GT	231
1255870GT	233	1256455GT	137, 139, 143, 145, 147, 149	1257261GT	135
1255873GT	233	1256456GT	147	1257272GT	15, 19
1255874GT	233	1256457GT	41	1257352GT	157, 171
1255882GT	223	1256458GT	151	1257390GT	127
1255887GT	25, 41, 47	1256459GT	143	1257445GT	15, 19
1256072GT	45, 47	1256462GT	117	1257446GT	15, 19
1256106GT	29, 197, 201, 205	1256463GT	127, 147, 239	1257488GT	241
1256107GT	197, 201, 205	1256464GT	159, 173	1257663GT	159, 173
1256108GT	185	1256465GT	201	1257664GT	159, 173
1256111GT	27	1256466GT	115	1257733GT	11
1256113GT	27	1256467GT	121, 227, 231	1257745GT	223
1256115GT	183, 187, 191, 223, 233	1256469GT	115	1257759GT	15, 19
1256116GT	193	1256470GT	135	1257760GT	15, 19
1256117GT	187	1256471GT	223	1257762GT	15, 19
1256118GT	187	1256472GT	119	1257803GT	229
1256119GT	185	1256474GT	133	1257812GT	27
1256120GT	197	1256476GT	41	1257817GT	195
1256121GT	195	1256477GT	135	1257818GT	27
1256122GT	195, 233	1256478GT	125	1257819GT	29, 199
1256123GT	195	1256479GT	121, 227	1257821GT	45

<u>Part no.</u>	<u>Page Number</u>	<u>Part no.</u>	<u>Page Number</u>	<u>Part no.</u>	<u>Page Number</u>
1257828GT	205	1259522GT	57	1260061GT	41, 151
1257899GT	205	1259523GT	71	1260180GT	245
1257913GT	249	1259524GT	71	1260355GT	153
1257914GT	15, 19	1259525GT	59, 71	1260356GT	153
1257991GT	241, 243	1259526GT	53, 75	1260963GT	23
1257993GT	163, 177	1259527GT	53, 75	1261236GT	181
1258119GT	243, 245	1259528GT	73	1261238GT	181
1258122GT	199	1259529GT	51	1261239GT	183
1258415GT	17, 19	1259531GT	55, 61, 75	1261240GT	181
1258511GT	29	1259532GT	63	1261241GT	183
1258526GT	17, 19	1259533GT	63	1261250GT	123
1258527GT	223, 247	1259534GT	63	1261340GT	159, 173
1258528GT	247	1259535GT	63	1261341GT	163, 177
1258567GT	11	1259536GT	57, 71	1261460GT	157, 171, 239
1258623GT	35	1259537GT	63	1261461GT	171
1258639GT	17, 21	1259538GT	63	1261561GT	23
1258715GT	223	1259542GT	73	1261562GT	23, 75
1258775GT	247	1259543GT	53	1261704GT	25
1258919GT	247	1259544GT	51	1261802GT	191
1258922GT	181	1259545GT	51, 73	1261895GT	17, 21
1258956GT	231, 249	1259546GT	73	1261954GT	191
1259111GT	111	1259547GT	53, 75	1262031GT	115
1259113GT	111	1259548GT	51, 73	1262614GT	17
1259501GT	57, 71	1259549GT	53, 59, 75	1262615GT	21
1259504GT	49, 53, 59, 69, 75	1259550GT	53, 59, 75	1262810GT	157, 171
1259505GT	63	1259551GT	53, 59, 75	1262811GT	157, 171
1259506GT	57	1259552GT	53, 75	1262812GT	157, 171
1259507GT	57, 71	1259553GT	63	1262866GT	13
1259508GT	53, 59	1259554GT	63	1262867GT	165, 179
1259509GT	51, 73	1259555GT	63	1263050GT	109, 159, 173
1259510GT	65, 77	1259558GT	63	1263542GT	21
1259511GT	75	1259559GT	63	1263543GT	17
1259512GT	75	1259560GT	77	1263623-4000GT	37
1259513GT	69	1259561GT	65, 77	1263759GT	223, 247
1259514GT	49	1259562GT	53, 75	1263770GT	117
1259515GT	57	1259563GT	53, 59	1263771GT	117
1259516GT	71	1259565GT	67, 79	1263772GT	117
1259517GT	59	1259569GT	11	1263774GT	117
1259518GT	71	1259578GT	205	1263775GT	117
1259519GT	57, 71	1259709GT	17	1263776GT	117
1259520GT	51, 73	1259710GT	21	1263778GT	117
1259521GT	57, 71	1260044GT	231, 249	1266019GT	17

<u>Part no.</u>	<u>Page Number</u>	<u>Part no.</u>	<u>Page Number</u>	<u>Part no.</u>	<u>Page Number</u>
1266132GT	181	1279008GT	43	1284346GT	131
1266588GT	209	1279208GT	119	1284347GT	131
1267471GT	45	1279209GT	119	1284367GT	17, 21
1269151GT	45	1279212GT	195	1285068GT	17
1269198GT	129	1279744GT	155, 169	1285069GT	21
1269532GT	17, 133	1280264GT	17	1285132GT	159
1270245GT	133	1280294GT	17	1285604GT	215
1270919GT	65	1280380GT	205	1285605GT	215
1270920GT	65	1280510GT	53, 75	1285606GT	215
1271302GT	129	1280511GT	53, 73	1285607GT	215
1271303GT	129	1280819GT	17	1285608GT	215
1271304GT	127	1280820GT	17	1285609GT	215
1272242GT	17, 21	1280888GT	17	1285610GT	215
1272894GT	187	1281518GT	115	1285611GT	215
1272926GT	17	1282179GT	121	1285612GT	215
1273075GT	153, 167	1282182GT	243	1285613GT	215
1273946GT	63	1282269GT	125	1285614GT	215
1274170GT	115, 161, 175	1282629GT	155, 169	1285616GT	215
1274322GT	23, 35, 117	1282634GT	155, 169	1285617GT	215
1275657GT	123	1282635GT	155, 169	1285619GT	215
1275658GT	121	1282636GT	155, 169	1285620GT	215
1275660GT	121	1283005GT	131	1285621GT	215
1275934GT	199	1283007GT	29	1285622GT	215
1276041GT	17, 21	1283014GT	151	1286012GT	11
1277507GT	53, 75	1283015GT	233	1286018GT	21
1277856GT	241	1283031GT	233	1286020GT	21
1277857GT	241	1283065GT	243, 247	1286022GT	21
1277924GT	27, 115, 121, 127, 151, 239...	1283315GT	217	1286062GT	241
1278087GT	173	1283327GT	125	1286082GT	241
1278088GT	115, 121, 127, 151, 141, 151...	1283379GT	215	1286083GT	241
1278206GT	165, 179	1283713GT	243	1286120GT	241
1278285GT	241	1283776GT	11	1286187GT	217
1278687GT	231	1283937GT	209, 211	1286188GT	217
1278701GT	185, 187	1283942GT	243	1286189GT	217
1278702GT	225	1284212GT	33	1286190GT	217
1278881GT	185, 187	1284214GT	31	1286191GT	217
1278886GT	187	1284235GT	29	1286192GT	217
1278887GT	187	1284260GT	31	1286193GT	217
1278888GT	187	1284261GT	31	1286241GT	241
1278889GT	195	1284342GT	131	1286247GT	241
1278892GT	233	1284343GT	29	1286789GT	159
1278893GT	41	1284345GT	27	1286790GT	159

<u>Part no.</u>	<u>Page Number</u>	<u>Part no.</u>	<u>Page Number</u>	<u>Part no.</u>	<u>Page Number</u>
1287128GT	127	1298780GT	189		
1287209GT	11	1298784GT	189		
1288232GT	11	1298807GT	195		
1288309GT	11, 115, 133	1298933GT	11		
1288862GT	63	1302618GT	215		
1289520GT	115, 237	1303112GT	217		
1289521GT	115	1303449GT	131		
1289529GT	239	1303581GT	35		
1289544GT	239	1303594-21000GT	207		
1289547GT	239	1304154GT	121		
1289561GT	115, 237	1307893GT	35		
1289660GT	117	1312701GT	197		
1289721GT	121	1314001GT	141		
1289724GT	241	1319762GT	121		
1289774GT	65, 77	1320740GT	35		
1290831GT	243, 245	T107209GT	231		
1291079GT	239	T107212GT	231		
1291573GT	239	T107482GT	201		
1291915GT	243, 247	T107500GT	27		
1292807GT	117	T108822GT	45		
1292940GT	35, 245	T108823GT	27		
1292941GT	35	T108829GT	193		
1292973GT	245	T114350GT	153, 167		
1292974GT	245				
1292975GT	245				
1293818GT	239				
1293850GT	239				
1294030GT	239				
1294162GT	239				
1294163GT	239				
1294166GT	239				
1294434GT	25				
1294522GT	25				
1294523GT	25				
1294830GT	45				
1294954GT	199				
1295183GT	237				
1295628GT	33				
1296102GT	121				
1296261GT	227				
1298704GT	189				
1298743GT	189				

California Proposition 65

 **WARNING**

Operating, servicing and maintaining this equipment, passenger vehicle or off-highway motor vehicle can expose you to chemicals including engine exhaust, carbon monoxide, phthalates, and lead, which are known to the State of California to cause cancer and birth defects or other reproductive harm. These chemicals can be emitted from or contained in other various parts and systems, fluids and some component wear by-products. To minimize exposure, avoid breathing exhaust, do not idle the engine except as necessary, service your equipment and vehicle in a well-ventilated area and wear gloves or wash your hands frequently when servicing your equipment or vehicle and after operation. For more information go to www.P65Warnings.ca.gov/passenger-vehicle.

Breathing diesel engine exhaust exposes you to chemicals known to the State of California to cause cancer and birth defects or other reproductive harm.

- Always start and operate the engine in a well-ventilated area.
- If in an enclosed area, vent the exhaust to the outside.
- Do not modify or tamper with the exhaust system.
- Do not idle the engine except as necessary.

For more information go to www.P65warnings.ca.gov/diesel.