

TB21
BODY PARTS CATALOG

TAKEUCHI MFG. Co., LTD.
PUB. 1

Silverhorn.CO.UK

Group Name	Figure
Lower Frame (Steel)-----	1
Track -----	2
Track Roller (steel) -----	3
Front Idler (steel) -----	4
Lower Machine (rubber track) (Includes track roller & front idler)-----	5
Blade -----	6
Travel Motor "w/sprocket" (steel) -----	7
Piping Lower -----	8
Slewing Device -----	9
Main Frame -----	10
Travel Lever -----	11
Control Lever (left) -----	12
Control Lever (right) -----	13
Swing Pedal -----	14
Control Lever (blade) -----	15
Engine & Accessories -----	16
Control Panel -----	17
Electrical -----	18
Grease Piping -----	19
Valve & Accessories -----	20
Selector Valve & Accessories -----	21
Piping (upper I) -----	22
Piping (upper II) -----	23
Piping (upper III) -----	24
Hydraulic Pump & Drive -----	25
Hydraulic Tank -----	26
Fuel Tank -----	27
Bonnet Relations -----	28
Seat -----	29
Canopy -----	30
Boom & Arm -----	31
Bucket -----	32
Hyd. Oil Piping (Boom & Arm)-----	33
Hyd. Oil Piping (Aux.) -----	34
Decals -----	35
Tools -----	36
Swivel Joint -----	37

Silverhorn.CO.UK

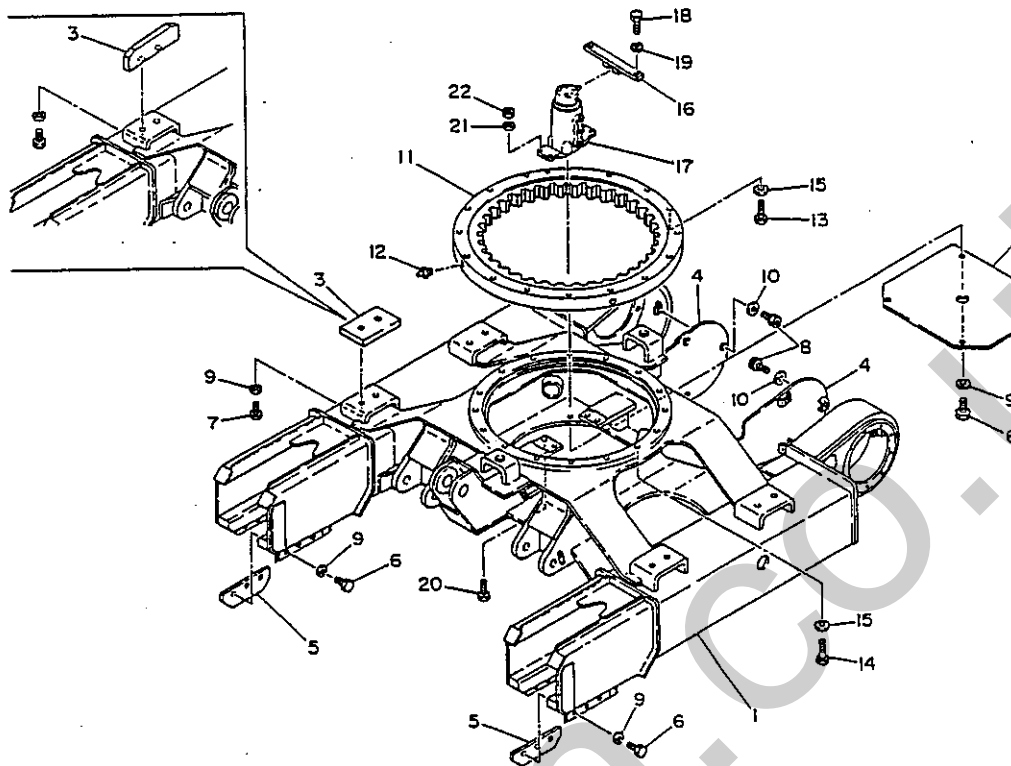
Group Name	Figure
Control Valve I -----	38
Control Valve II -----	39
Selector Valve -----	40
Counter Balance & Brake Valve -----	41
Cylinder "Main Boom" -----	42
Cylinder "Arm" -----	43
Cylinder "Bucket" -----	44
Cylinder "Blade" -----	45
Cylinder "Swing" -----	46
Reduction "Assy" -----	47
Hydraulic Pump "Main" -----	48
Track "Assy" (Wide Shoe) (Steel) -----	49

Silverhorn.CO.UK

Silverhorn.CO.UK

LOWER FRAME

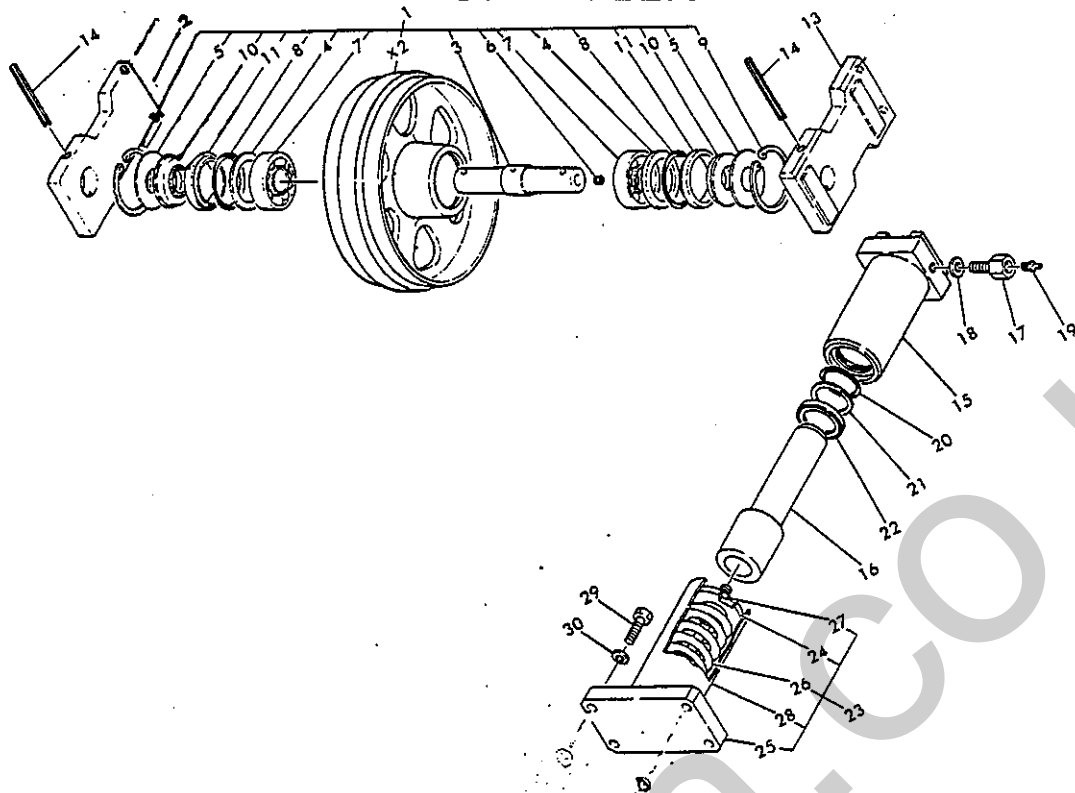
Figure 1



ITEM	PARTS NUMBER	DESCRIPTION	QTY.	CHANGE	SERIAL #	REMARKS
1	00910-30100	Frame	1			Steel Crawler Belt
	00910-31100	Frame	1			Rubber Crawler Belt
2	01010-13000	Cover	1			
3	00910-23300	Slide	4			Steel Crawler Belt
	00910-26800	Slide	4			Rubber Crawler Belt
4	01010-15100	Cover	2			
5	00910-27100	Guide	4			Steel Crawler Belt
6	11000-51020	Bolt	16			Steel Crawler Belt
	11000-51020	Bolt	4			Rubber Crawler Belt
7	11000-51025	Bolt	8			
8	11100-41020	Bolt, Socket	6			
9	11400-20010	Washer, Spring	24			Steel Crawler Belt
	11400-20010	Washer, Spring	12			Rubber Crawler Belt
10	11415-40010	Washer	6			
11	19130-02800	Bearing, Slew	1			
12	15600-11006	Nipple, Grease	4			
13	11010-51260	Bolt	16			
14	11000-51250	Bolt	16			
15	11415-40012	Washer	32			
16	00921-33100	Stopper	1			
17	19040-03800	Joint, Swivel	1			
18	11010-51225	Bolt	2			
19	11400-10012	Washer, Spring	2			
20	11000-40835	Bolt	4			
21	11400-10008	Washer, Spring	4			
22	11300-40008	Nut	4			

FRONT IDLER

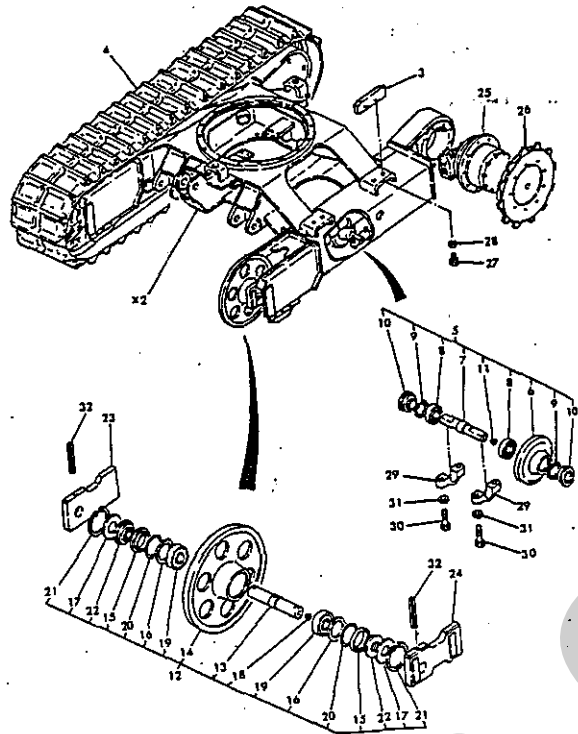
Figure 4



ITEM	PARTS NUMBER	DESCRIPTION	QTY.	CHANGE	SERIAL #	REMARKS
1	01414-90000	Idler Assy, Front	2			
2	01414-00100	Idler, Front	2			
3	01414-00200	Shaft, Idler	2			
4	01614-16300	Washer	4			
5	00036-36002	Washer	4			
6	15018-10001	Plug PT 1/8	2			
7	13000-06307	Bearing	4			
8	14200-10700	O-Ring 1B P 70	4			
9	12210-00080	Snap Ring	4			
10	14312-03562	Seal	4			
11	01614-15600	Collar	4			
12	00914-04100	Bearing Block (R)	2			
13	00914-04200	Bearing Block (L)	2			
14	12131-01010	Pin, Spring 10X10	4			
15	02615-01100	Cylinder	2			
16	02615-01200	Piston	2			
17	15413-01601	Valve, Check	2			
18	15412-01616	Gasket	2			
19	15600-01000	Nipple, Grease	2			
20	14200-00500	O-Ring 1B P 50	2			
21	14210-20500	Ring, Backup	2			
22	14004-02835	Seal, Oil	2			
23	00915-90000	Cushion Assy	2			
24	00915-00100	Seat, Spring	2			
25	00915-02100	Rod	2			
26	01615-06100	Spring	2			
27	11305-20016	Nut M16	4			

LOWER MACHINE (RUBBER TRACK)

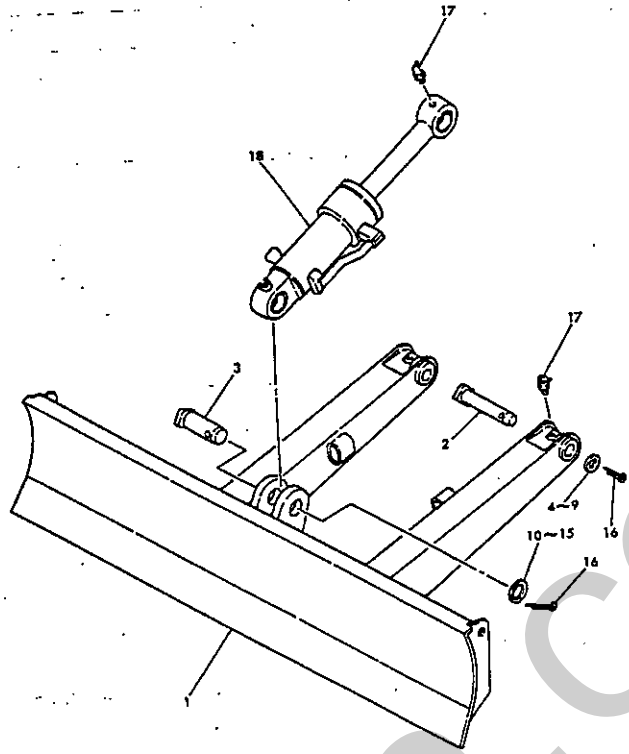
Figure 5



ITEM	PARTS NUMBER	DESCRIPTION	QTY.	CHANGE	SERIAL #	REMARKS
1	00910-90001	Roller Crawler, Assy	1			
2	00910-31100	Frame, Lower	1			
3	00910-26800	Slide, Shoe	4			
4	19140-27000	Crawler, Rubber	2			
5	00913-90000	Roller Assy, Track	8			
6	00913-03300	Roller Track	8			
7	00913-02200	Shaft	8			
8	13000-06006	Bearing	16			
9	12210-00055	Snap Ring	16			
10	14312-03055	Seal	16			
11	15018-10001	Plug PT 1/8	8			
12	00914-90014	Idler Assy, Front	2			
13	01314-20200	Shaft	2			
14	00814-00100	Idler, Front	2			
15	01614-15600	Collar	4			
16	01614-16300	Washer	4			
17	00036-36002	Washer	4			
18	15018-10001	Plug PT 1/8	2			
19	13000-06307	Bearing	4			
20	14200-00700	O-Ring P70-1A	4			
21	12210-00080	Snap Ring	4			
22	14312-03562	Seal	4			
23	00914-03100	Block (R), Bearing	2			
24	00914-03200	Block (L), Bearing	2			
25	19030-06700	Motor, Driving	2			
26	00916-35100	Sprocket	2			
27	26116-100252	Bolt M10 X25 Plated	8			

BLADE

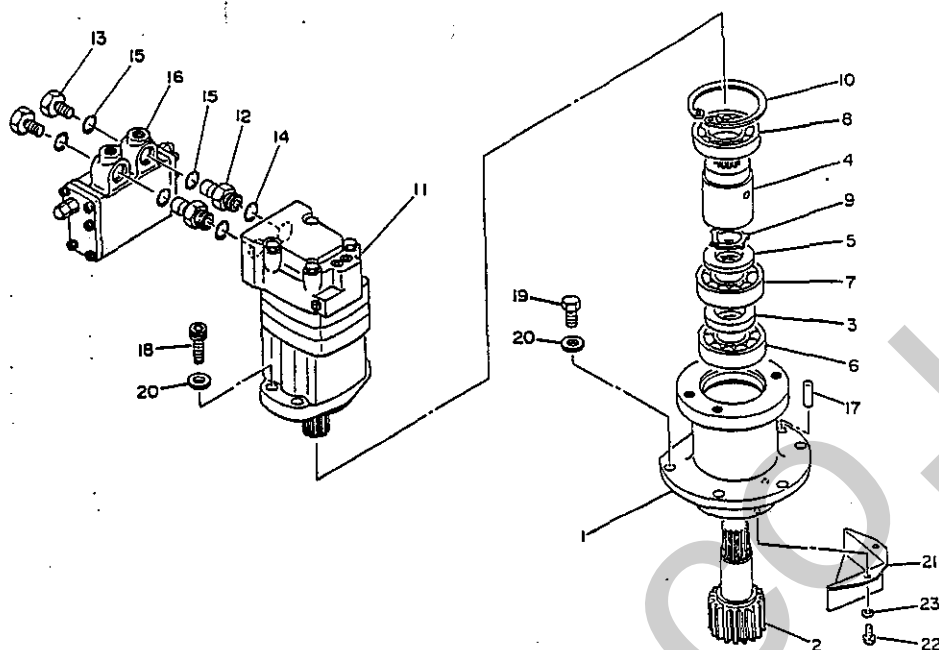
Figure 6



ITEM	PARTS NUMBER	DESCRIPTION	QTY.	CHANGE	SERIAL #	REMARKS
1	00963-25100	Blade	1			
2	00010-30144	Pin	2			
3	00010-40106	Pin	2			
4	00030-30000	Collar, Pin 1T 30	1			
5	00030-30001	Collar, Pin 1.6T 30	1			
6	00030-30002	Collar, Pin 2.3T 30	1			
7	00030-30003	Collar, Pin 3.2T 30	1			
8	00030-30004	Collar, Pin 4T 30	1			
9	00030-30005	Collar, Pin 5T 30	1			
10	00030-40000	Collar, Pin 1.T 40	1			
11	00030-40001	Collar, Pin 1.6T 40	1			
12	00030-40002	Collar, Pin 2.3T 40	1			
13	00030-40003	Collar, Pin 3.2T 40	1			
14	00030-40004	Collar, Pin 4T 40	1			
15	00030-40005	Collar, Pin 5T 40	1			
16	12100-00850	Cotter Pin	4			
17	15600-01675	Nipple PT 1/8	2			
18	19000-15100	Cylinder	1			

SLEWING DEVICE

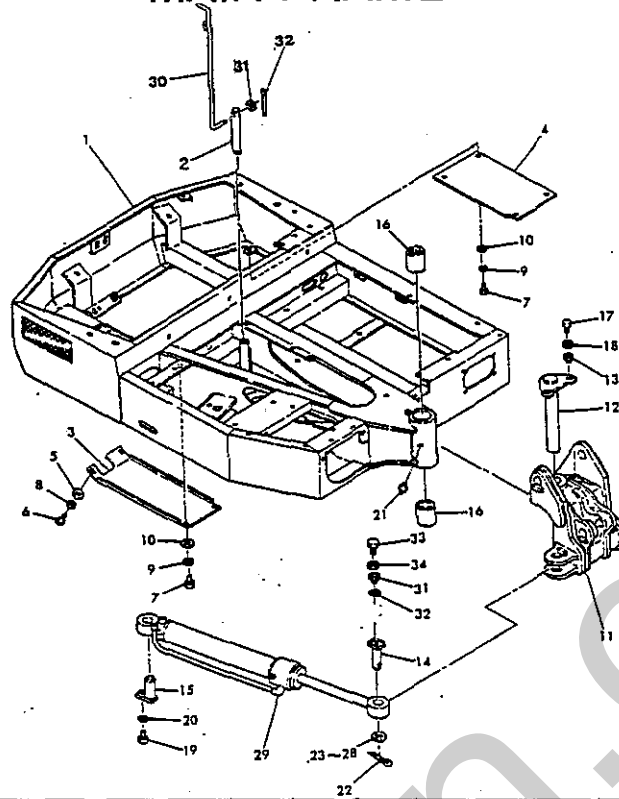
Figure 9



ITEM	PARTS NUMBER	DESCRIPTION	QTY.	CHANGE	SERIAL #	REMARKS
0-1	00923-90020	Gear Box Assy.	1			
1	00923-33200	Case	1			
2	00923-10200	Pinion	1			
3	00030-36010	Collar	1			
4	00923-10400	Gear	1			
5	00036-35505	Collar	1			
6	13003-06307	Bearing	1			
7	13000-06307	Bearing	1			
8	13000-06010	Bearing	1			
9	12220-16034	Seeger Ring	1			
10	12210-00080	Ring, Snap	1			
11	19030-04400	Motor Assy.	1			
12	00072-00088	Fitting	2			
13	00072-00087	Plug	2			
14	14203-10910	O-Ring	2			
15	14200-10200	O-Ring	4			
16	19017-08500	Valve Assy., Brake	1			
17	12120-01030	Pin	1			
18	11110-51235	Bolt, Socket	4			
19	11010-51225	Bolt	5			
20	11415-40012	Washer	9			
21	00923-31200	Cover	1			
22	11000-40614	Bolt	2			
23	11400-20006	Washer, Spring	2			

MAIN FRAME

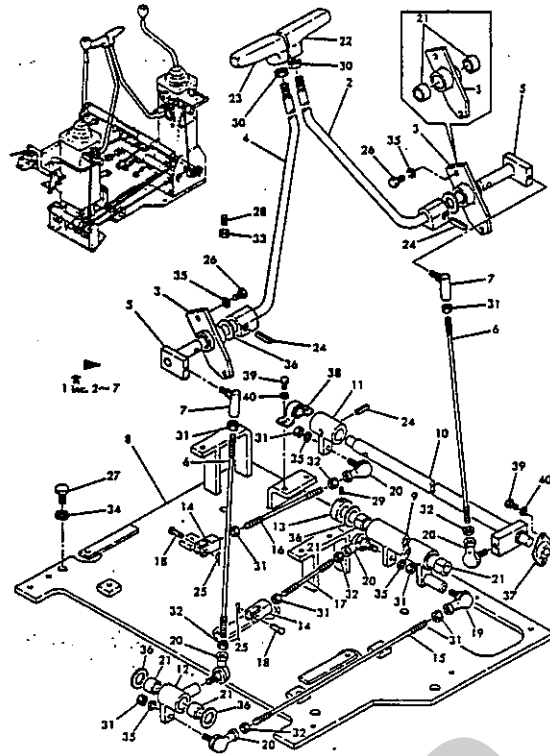
Figure 10



ITEM	PARTS NUMBER	DESCRIPTION	QTY.	CHANGE	SERIAL #	REMARKS
1	00930-64100	Main Frame	1			
2	00922-14000	Lock Pin	1			
3	00982-73300	Under Cover	1			
4	00982-77900	Under Cover	1			
5	11416-10100	Washer	2			
6	11000-41020	Boit	2			
7	11000-41020	Bolt	4			
8	11400-20010	Spring Washer	2			
9	11400-20010	Spring Washer	4			
10	11411-10010	Washer	4			
11	00931-47100	Bracket, Boom	1			
12	00019-00059	Shaft	1			
13	00931-11300	Washer	2			
14	00019-00122	Pin, Cyl. Rod	1			
15	00019-00123	Pin, Cyl. Rod	1			
16	00023-55070	Bushing	2			
17	11000-51235	Bolt M12X35	2			
18	11400-00012	Spring Washer M12	2			
19	11000-51020	Bolt M10X20	1			
20	11400-00010	Spring Washer M10	1			
21	15600-01000	Nipple	1			
22	12100-00855	Collar Pin	1			
23	00030-40000	Collar, Pin T1	1			
24	00030-40001	Collar, Pin T1.6	1			
25	00030-40002	Collar, Pin T2.3	1			
26	00030-40003	Collar, Pin T3.2	1			
27	00030-40004	Collar, Pin T4	1			

TRAVEL LEVER

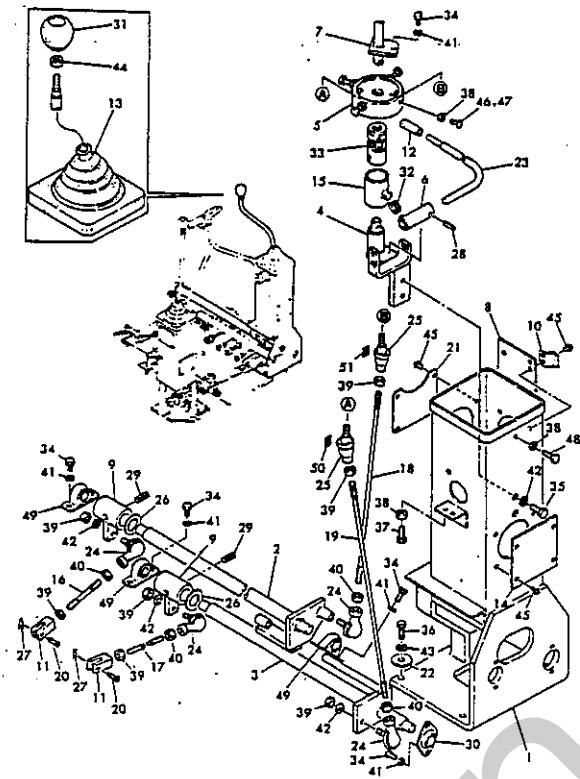
Figure 11



ITEM	PARTS NUMBER	DESCRIPTION	QTY.	CHANGE	SERIAL #	REMARKS
1	00932-97100	Plate	1			
2	00932-97300	Lever	1			
3	00932-97400	Lever	1			
4	00932-97500	Lever	1			
5	00932-97600	Lever	1			
6	00932-98100	Lever	1			
7	03032-04300	Lever (RH)	1			
8	03037-04600	Lever (LH)	1			
9	00832-66700	Lever	1			
10	01632-09400	Stopper	2			
11	00932-96000	Spacer	1			
12	00030-00034	Washer	1			
13	00036-00034	Washer	3			
14	08502-34100	Washer	1			
15	00932-70900	Rod, Yoke	2			
16	00040-05117	Pin, Lever	2			
17	00036-00025	Washer	5			
18	12200-00020	Ring, Snap	4			
19	12140-00005	Pin, Snap	2			
20	11210-40830	Set-Screw	2			
21	11210-40630	Set-Screw	6			
22	13400-00080	End, Rod	6			
23	13320-02022	Mini-Pillow	1			
24	13320-52022	Mini-Pillow	2			
25	11210-50808	Set-Screw	2			
26	12130-00830	Pin, Spring	2			
27	13330-02015	Bushing	5			

CONTROL LEVER (OPERATION) LEFT

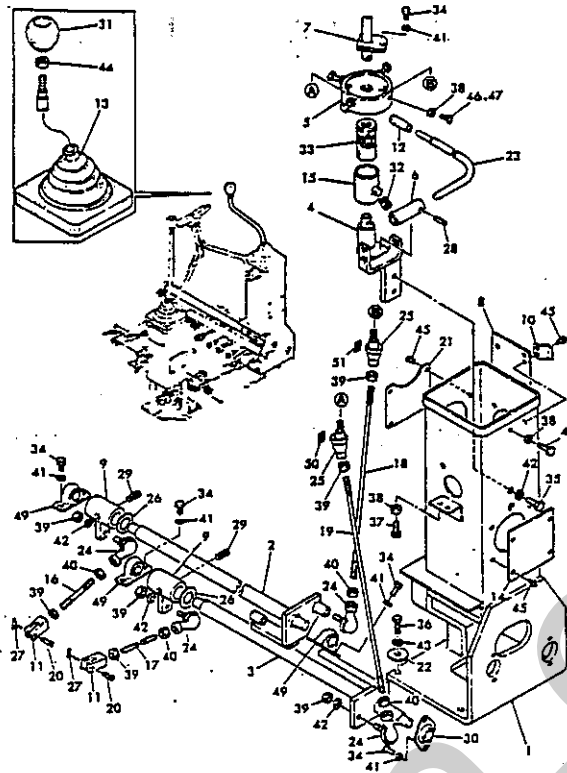
Figure 12



ITEM	PARTS NUMBER	DESCRIPTION	QTY.	CHANGE	SERIAL #	REMARKS
1	01032-22300	Lever Stand (L)	1			
2	01032-23000	Lever	1			
3	01032-23300	Lever	1			
4	01032-24500	Bracket, Lever (L)	1			
5	01032-24000	Plate	1			
6	01032-24600	Lever	1			
7	01032-24200	Lever	1			
8	01032-25400	Cover	1			
9	01032-14800	Lever	2			
10	01032-19200	Catch	1			
11	00055-05032	Yoke	2			
12	05432-08900	Knob	1			
13	05432-03100	Bellows	1			
14	01432-72100	Cover	1			
15	00832-67100	Sleever	1			
16	00050-08075	Rod	1			
17	00050-08150	Rod	1			
18	00050-08375	Rod	1			
19	00050-08410	Rod	1			
20	00040-05117	Lever Pin	2			
21	01032-25500	Cover	1			
22	00036-12004	Washer	4			
23	01032-24700	Lever	1			
24	13400-00085	Rod End (L)	4			
25	13403-00080	Rod End (R)	2			
26	01632-16200	Washer	2			
27	12140-00005	Snap Ring	2			

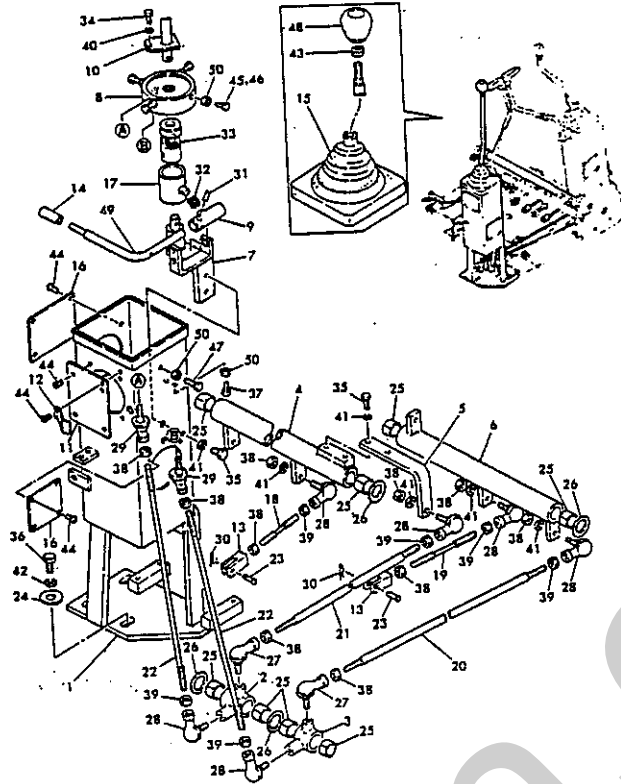
CONTROL LEVER (OPERATION) LEFT

Figure 12



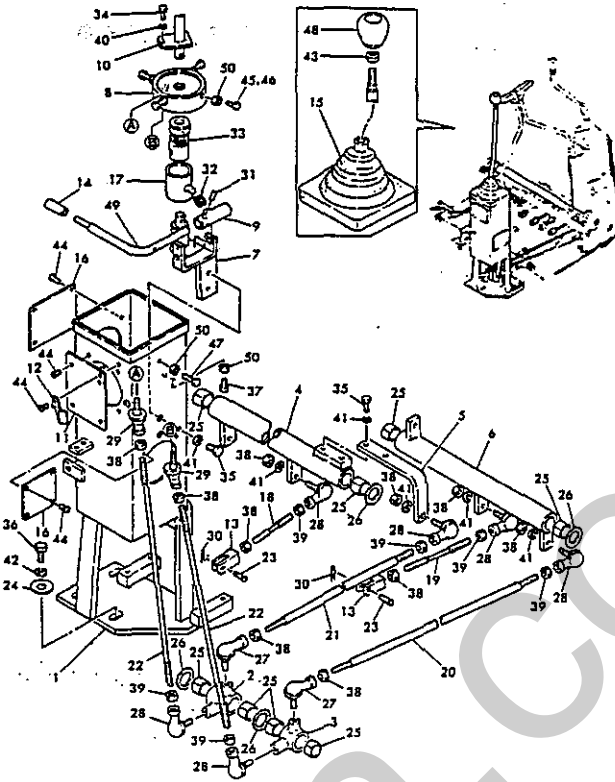
ITEM	PARTS NUMBER	DESCRIPTION	QTY.	CHANGE	SERIAL #	REMARKS
28	12130-00420	Spring Pin	1			
29	12130-00830	spring Pin	2			
30	13320-61516	Flange Unit	1			
31	16502-00400	Knob	1			
32	16200-50000	Joint Link Assy.	1			
33	16000-00140	Universal Joint Assy.	1			
34	11000-40616	Bolt M6X16	9			
35	11000-40816	Bolt M8X16	2			
36	11000-41025	Bolt M10X25	4			
37	11000-40625	Bolt M6X25.	2			
38	11300-40006	Nut M6	7			
39	11300-40008	Nut M8	7			
40	11315-40008	Nut MS, Left Hand	4			
41	11400-20006	Spring Washer MG	9			
42	11400-20008	Spring Washer M8	5			
43	11400-20010	Spring Washer M10	4			
44	11301-40010	Nut M10	1			
45	11205-30510	Scew M5X10	13			
46	01032-25600	Bolt	8			
47	01032-25700	Bolt	8			
48	11000-40625	Bolt M6X25	1			
49	13320-21516	Pillow Unit	3			
50	01032-25900	Label	1			
51	01032-26000	Label	1			

CONTROL LEVER (OPERATION) RIGHT Figure 13



ITEM	PARTS NUMBER	DESCRIPTION	QTY.	CHANGE	SERIAL #	REMARKS
1	01032-22200	Lever Stand. (R)	1			
2	01032-22500	Lever	1			
3	01032-22600	Lever	1			
4	01032-23100	Lever	1			
5	01032-23200	Lever	1			
6	01032-23400	Lever	1			
7	01032-24400	Bracket, Lever (R)	1			
8	01032-24000	Plate	1			
9	01032-24600	Lever	1			
10	01032-24200	Lever	1			
11	01032-25400	Cover	1			
12	01032-19200	Catch	1			
13	00050-05032	Yoke	2			
14	05432-08900	Knob	1			
15	05432-03100	Bellows	1			
16	01432-72100	cover	2			
17	00832-67100	Sleeve	1			
18	00050-08075	Rod	1			
19	00050-08150	Rod	1			
20	00050-09530	Rod	1			
21	00050-09445	Rod	1			
22	00050-08445	Rod	2			
23	00040-05117	Pin, Lever	2			
24	00036-12004	Washer	3			
25	13330-52015	Bushing	8			
26	01632-16200	Washer	4			
27	13400-00080	Rod End	2			

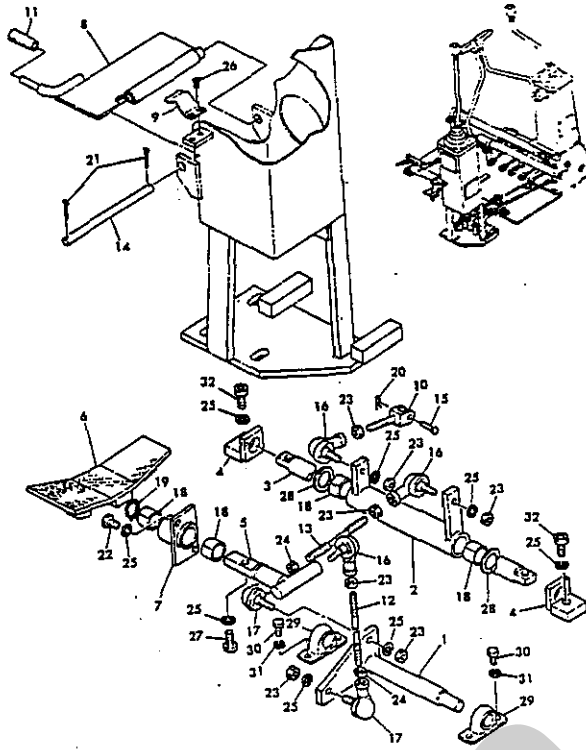
CONTROL LEVER (OPERATION) RIGHT Figure 13



ITEM	PARTS NUMBER	DESCRIPTION	QTY.	CHANGE	SERIAL #	REMARKS
28	13400-00085	Rod End	6			
29	13403-00080	Rod End	2			
30	12140-00050	Snap Ring	2			
31	12130-00420	Spring Pin	1			
32	16200-50000	Joint Link	1			
33	16000-00140	Universal Joint	1			
34	11000-40616	Bolt M6X16	1			
35	11000-40816	Bolt M8X16	4			
36	11000-41025	Bolt M10X25	3			
37	11100-40625	Bolt M6X25	2			
38	11300-40008	Nut M8	9			
39	11315-40008	Nut M8, Left-hand	6			
40	11400-20006	Spring, Washer M6	1			
41	11400-20008	Spring, Washer M8	8			
42	11400-20010	Spring, Washer M10	3			
43	11301-40010	Nut M10	1			
44	11205-30510	Screw M510	13			
45	01032-25700	Bolt, Stopper	8			
46	01032-25600	Bolt, Stopper	8			
47	11025-40625	Bolt M6X25	1			
48	16502-01400	Knob	1			
49	01032-24700	Lever	1			
50	11300-40006	Nut M6	6			

SWING PEDAL

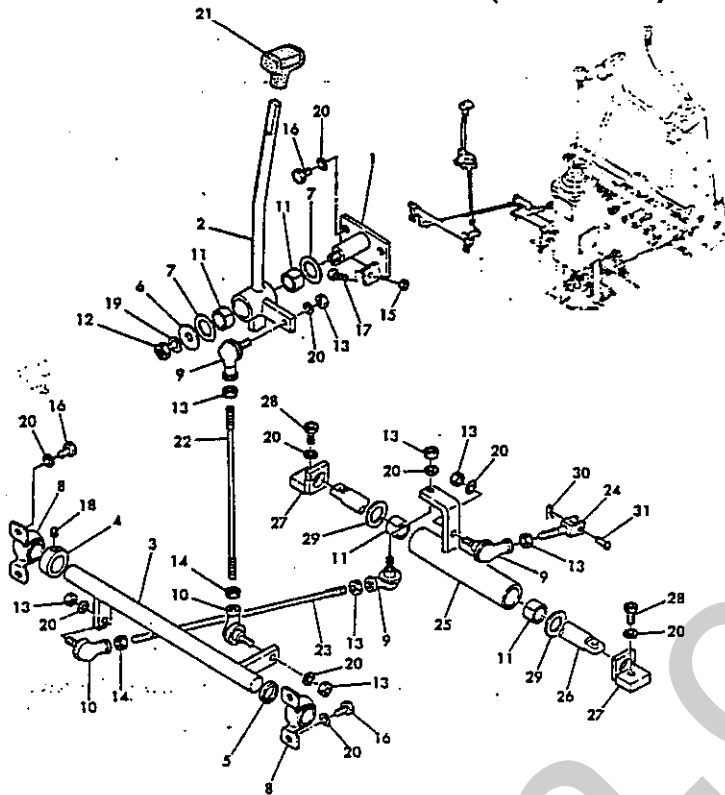
Figure 14



ITEM	PARTS NUMBER	DESCRIPTION	QTY.	CHANGE	SERIAL #	REMARKS
1	01032-22400	Lever	1			
2	01032-23500	Lever	1			
3	01032-23700	Lever Shaft	1			
4	01032-24300	Block	2			
5	01032-16900	Lever	1			
6	01032-24800	Swing Pedal	1			
7	01032-15400	Lever Boss	1			
8	01032-24900	Swing Lock Plate	1			
9	01032-19200	Catch	1			
10	00932-70900	Yoke Rod	1			
11	05432-08900	Knob	1			
12	00050-08170	Rod	1			
13	00050-08100	Rod	1			
14	00049-00009	Pin	1			
15	00040-05117	Lever Pin	1			
16	13400-00085	Rod End	3			
17	13400-00085	Rod End, Left Hand	2			
18	13330-52015	Bushing	4			
19	12200-00020	Snap Ring	1			
20	12140-00005	Snap Ring	1			
21	12100-00320	Cotter Pin 3 X20	2			
22	11000-50812	Nut M8X12	2			
23	11300-40008	Nut M8	7			
24	11315-40008	Nut M8, Left Hand	2			
25	11400-20008	Spring Washer M8	9			
26	11205-30610	Screw M6X10	2			
27	11000-40822	Bolt M8X22	1			

CONTROL LEVER (BLADE)

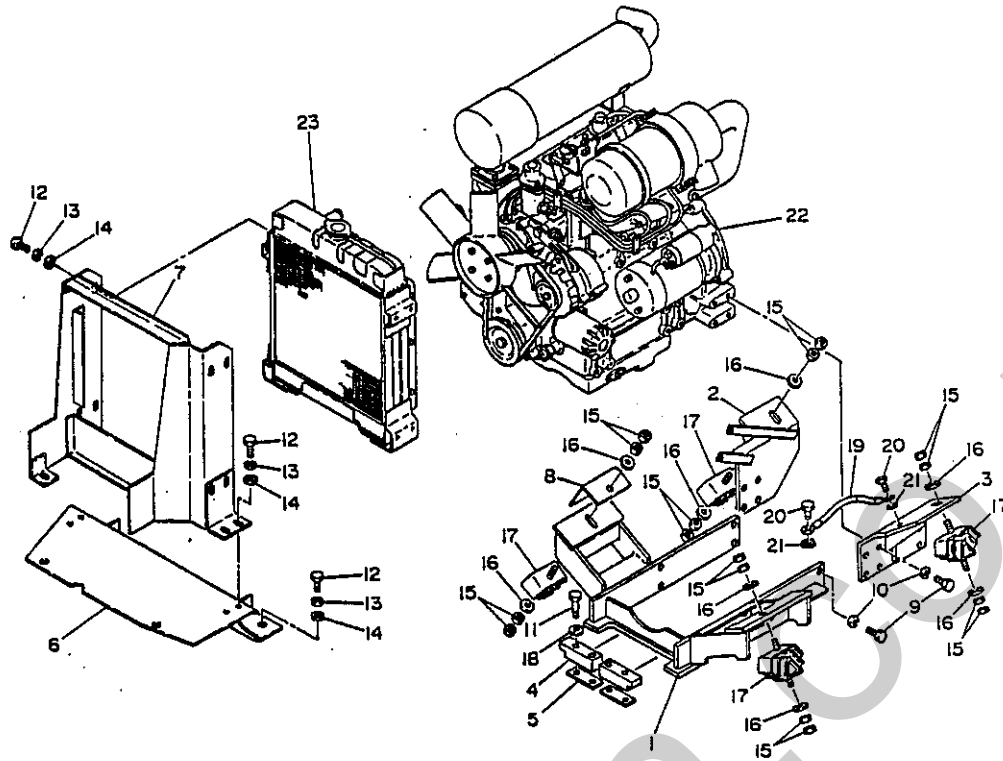
Figure 15



ITEM	PARTS NUMBER	DESCRIPTION	QTY.	CHANGE	SERIAL #	REMARKS
1	01033-10100	Bracket, Lever	1			
2	01033-10200	Lever	1			
3	01033-10300	Lever	1			
4	01632-09400	Stopper	1			
5	00030-20005	Collar	1			
6	00036-00025	Washer	1			
7	01632-16200	Washer	1			
8	13320-02022	Mini Pillow	2			
9	13400-00080	Rod End	3			
10	13400-00085	Rod End, Left Hand	2			
11	13300-02015	Bushing	4			
12	11300-40010	Nut M10	1			
13	11300-40008	Nut M8	8			
14	11315-40008	Nut M8, Left Hand	2			
15	11300-40006	Nut M6	2			
16	11000-40814	Bolt M8X14	6			
17	11000-40620	Bolt M6X20	2			
18	11210-50808	Lock Screw M8X8	1			
19	11400-20010	Spring Washer M10	1			
20	11400-10008	Spring Washer M8	13			
21	16502-00500	Knob	1			
22	00050-08250	Rod 250L	1			
23	00050-08385	Rod	1			
24	00932-70900	Yoke Rod	1			
25	01032-23600	Lever	1			
26	01032-23700	Lever Shaft	1			
27	01032-24300	Block	2			

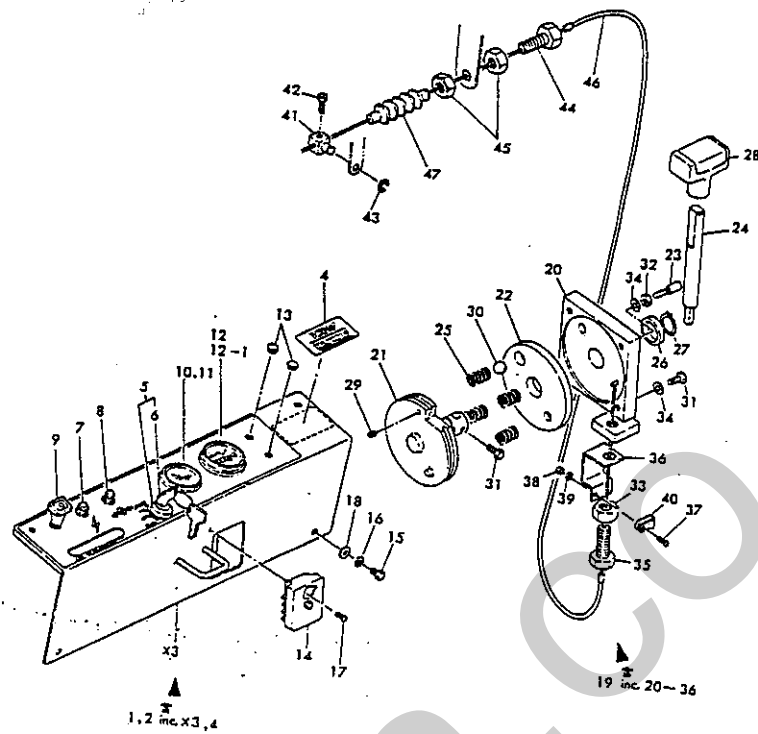
ENGINE AND ACCESSORIES

Figure 16



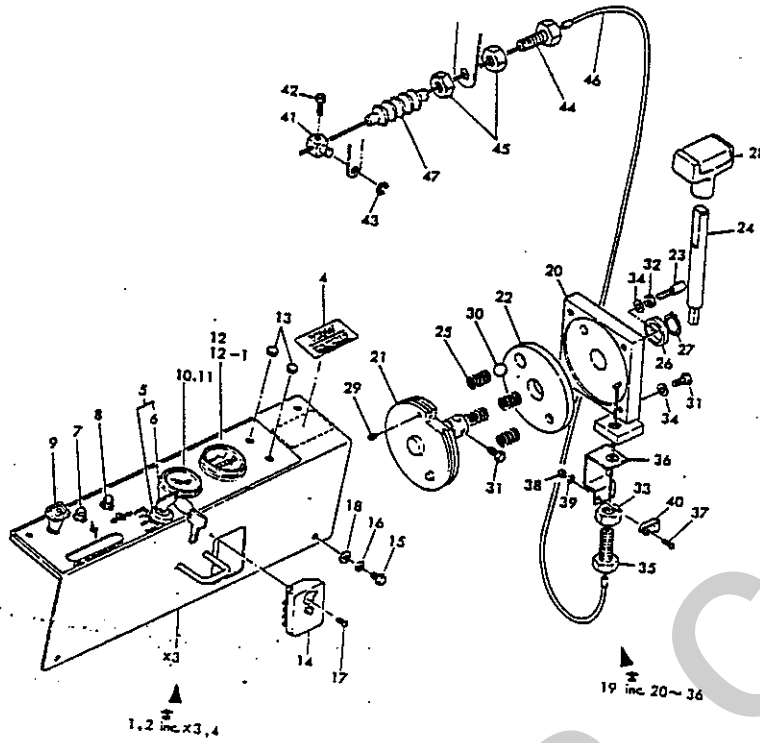
ITEM	PARTS NUMBER	DESCRIPTION	QTY.	CHANGE	SERIAL #	REMARKS
1	00940-26500	Foot, Engine	1			
2	00940-26100	Foot, Engine	1			
3	00940-27300	Foot, Engine	1			
4	01440-55100	Stopper	2			
5	01440-55300	Shim T1.6	AR			
	01440-55400	Shim T2.3	AR			
6	00940-29100	Bracket	1			
7	00940-29400	Bracket	1			
8	00940-21700	Cover	1			
9	11000-41225	Bolt M12X25	16			
10	11400-20012	Washer, Spring M12	9			
11	11000-41250	Bolt M10	4			
12	11000-41020	Bolt M10X20	20			
13	11400-20010	Washer, Spring M10	21			
14	00036-00020	Washer	5			
15	11300-40012	Nut M12	16			
16	00036-00026	Washer	8			
17	16510-40428	Rubber, Cushion	4			
18	11415-40012	Washer	4			
19	17024-30280	Cable, Earth	1			
20	11000-31020	Bolt M10X20	2			
21	11403-30010	Washer M10	2			
22	19100-44001	Engine	1			
23	19100-21002	Radiator	1			

CONTROL BOX AND ENGINE CONTROL Figure17



ITEM	PARTS NUMBER	DESCRIPTION	QTY.	CHANGE	SERIAL #	REMARKS
1	01043-90010	Control Panel Assy.	1			
2	01043-11100	Panel, Control	1			
3	00943-74100	Sticker	1			
4	933110-00100	Switch Assy., Starter	1			
5	933110-00301	Key	1			
6	124732-77720	Lamp, Charging	1			
7	124732-77970	Lamp, Pilot	1			
8	17010-00200	Light Switch	1			
9	17301-00010	Thermometer	1			
10	17300-45074	Hour Meter	1			
11	16520-50900	Grommet	2			
12	17012-00200	Box, Fuse	1			
13	261160-80142	Bolt M8X 14 Plated	4			
14	222170-80000	Spring Washer M8X	4			
15	11202-30514	Screw M5X 14	2			
16	221370-80000	Washer M8X	4			
17	05441-90000	Engine Control Set	1			
18	01041-12100	Body	1			
19	05441-01200	Shaft, Drum	1			
20	05441-01300	Disk	1			
21	01641-08400	Pin	1			
22	01441-02100	Lever	1			
23	00070-00001	Spring	4			
24	00030-20005	Collar	1			
25	12200-00020	Snap Ring S20	1			
26	16502-00500	Grip, Lever	1			
27	11210-50506	Screw M5X 6	1			

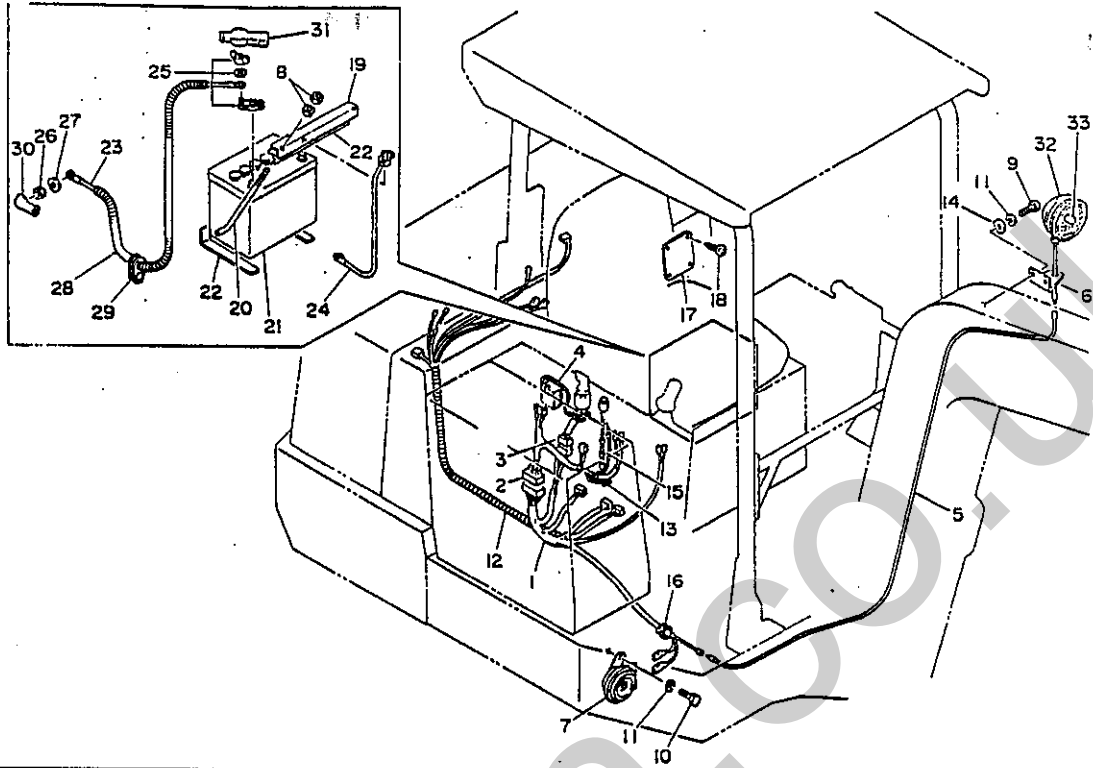
CONTROL BOX AND ENGINE CONTROL Figure17



ITEM	PARTS NUMBER	DESCRIPTION	QTY.	CHANGE	SERIAL #	REMARKS
28	13900-10800	Ball (1/2)	1			
29	261160-60122	Bolt M6X12 Plated	4			
30	11300-40006	Nut M6	1			
31	11300-30012	Nut M12	1			
32	222170-60000	Spring Washer M6	4			
33	00079-00002	Bolt	1			
34	02241-11100	Stay	1			
35	11205-30410	Screw M4X10	1			
36	11300-40004	Nut M4	1			
37	221370-40000	Washer M4	1			
38	16524-00004	Clamp, Nylon	1			
39	00079-00016	Pin	1			
40	11100-50515	Bolt M5X15	1			
41	12240-00006	Circlip M6	1			
42	00079-00002	Bolt	1			
43	11304-40012	Nut M12	2			
44	00641-10100	Wire	1			
45	00079-00014	Boot	1			

ELECTRICAL

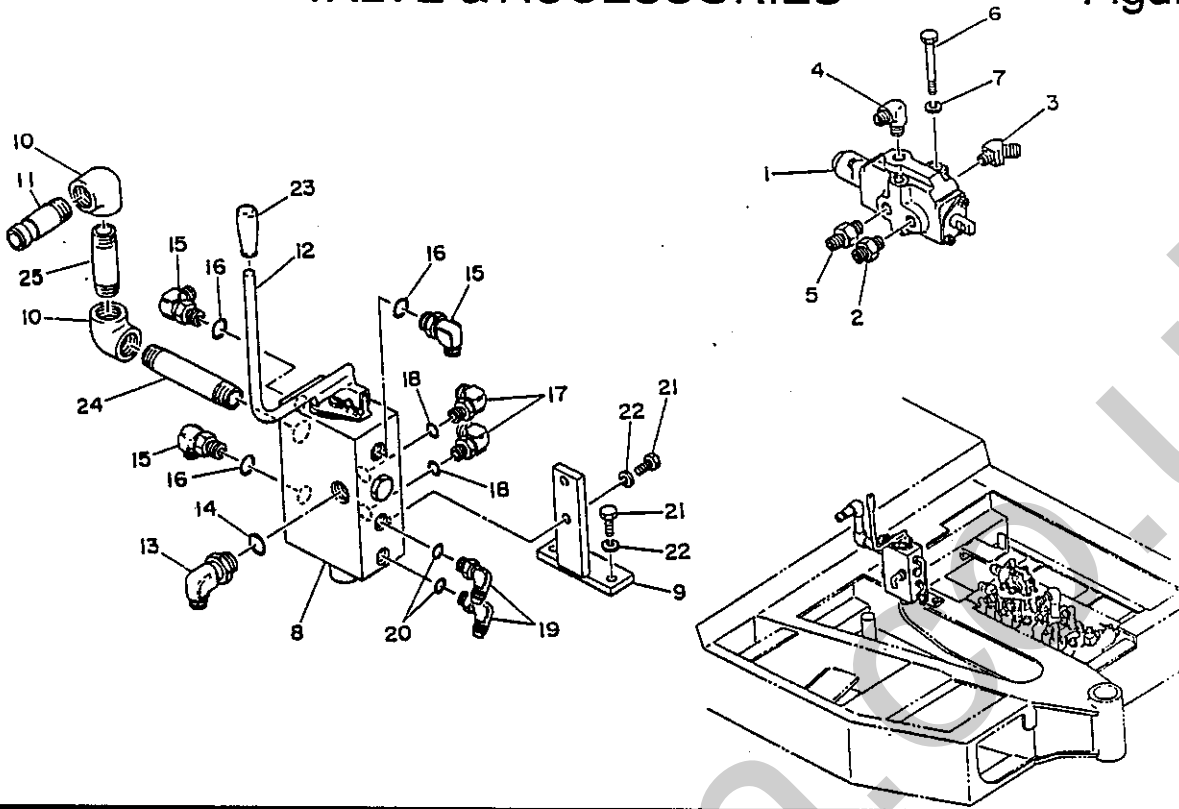
Figure 18



ITEM	PARTS NUMBER	DESCRIPTION	QTY.	CHANGE	SERIAL #	REMARKS
0-1	00942-90090	Harness Assy., Wiring	1			
1	00942-52100	Harness, Wiring	1			
2	00942-52200	Harness, Wiring	1			
3	00942-52300	Harness, Wiring	1			
4	01442-65300	Wire	1			
5	01442-63400	Wire	1			
6	05442-02600	Bracket	1			
7	17035-00412	Horn	1			
8	11300-40006	Nut M6	4			
9	11000-40816	Bolt M816	2			
10	11000-40812	Bolt M812	1			
11	11400-20008	Washer, Spring M8	3			
12	17032-11390	Tube	1			
13	16522-00003	Band	4			
14	11411-10008	Washer	2			
15	00942-45300	Wire	1			
16	16523-10013	Clamp	1			
17	05542-01700	Cover	1			
18	11225-00410	Screw, Tap	4			
19	00744-00100	Clamp	1			
20	17021-06260	Bolt, Hook	2			
21	17025-00110	Battery	1			
22	16547-05024	Strip, Rubber	3			
23	17025-30095	Cable, Battery	1			
24	17022-30050	Cable, Ground	1			
25	17023-08513	Terminal	1			
26	11300-40008	Nut M8	1			

VALVE & ACCESSORIES

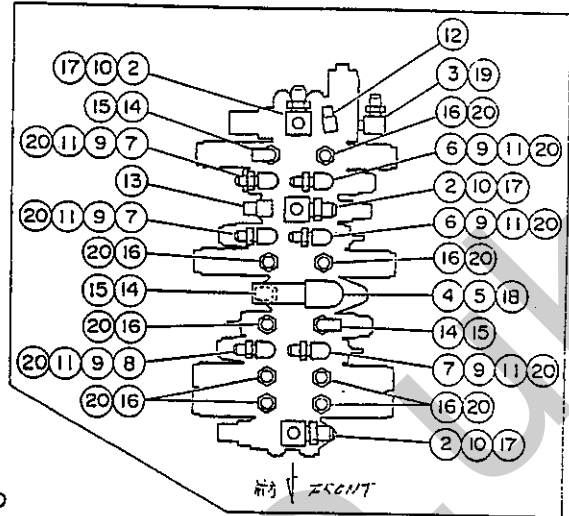
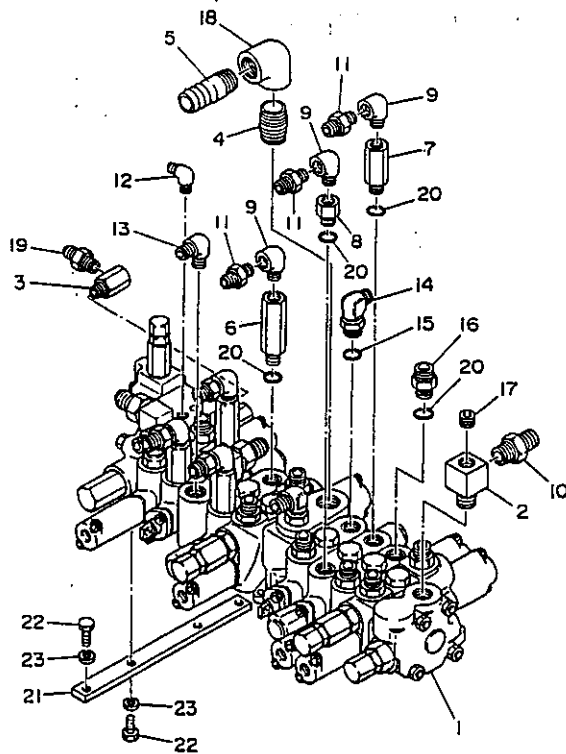
Figure 20



ITEM	PARTS NUMBER	DESCRIPTION	QTY.	CHANGE	SERIAL #	REMARKS
1	19010-22700	Valve, Sub Control	1			
2	15110-00002	Adaptor	1			
3	15112-00002	Elbow 45'	1			
4	15023-21002	Elbow 90'	1			
5	00072-00108	Adaptor	1			
6	11000-40865	Bolt M8X65	2			
7	11400-20008	Spring Washer M8	2			
8	19017-12400	Valve, Selector	1			
9	00951-27100	Bracket	1			
10	15080-10006	Elbow 90'	1			
11	00099-00001	Nipple	1			
12	00951-27200	Handle	1			
13	15027-11504	Elbow 90'	1			
14	14200-10180	O-Ring	1			
15	15027-11203	Elbow 90'	3			
16	14200-10140	O-Ring	1			
17	15027-11202	Elbow 90'	2			
18	14200-10110	O-Ring	1			
19	15150-00211	Elbow 90'	2			
20	14200-10110	O-Ring	1			
21	11000-40825	Bolt M8X25	4			
22	11400-20008	Washer, Spring M8	4			
23	16501-42050	Grip	1			
24	00091-06115	Nipple	1			
25	00091-06070	Nipple	1			

VALVE & ACCESSORIES 1

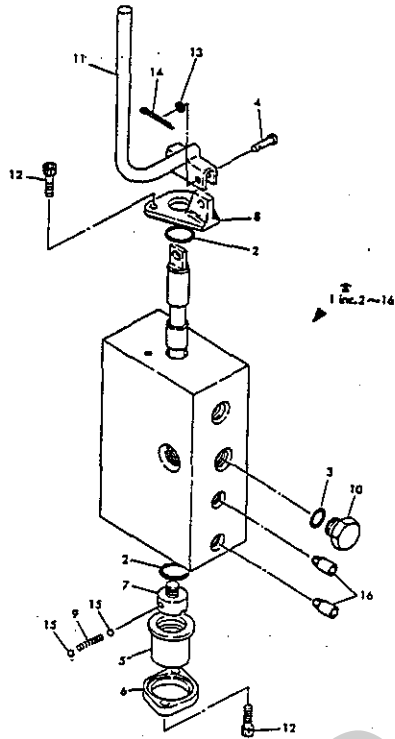
Figure 20



ITEM	PARTS NUMBER	DESCRIPTION	QTY.	CHANGE	SERIAL #	REMARKS
1	19010-23200	Valve, Main Control	1			
2	00072-00150	Adaptor	3			
3	00072-62003	Adaptor	1			
4	00091-06060	Nipple	1			
5	00099-00009	Nipple	1			
6	00072-12039	Adaptor	2			
7	15134-00002	Adaptor	3			
8	15134-00001	Adaptor	1			
9	15013-00002	Elbow 90'	6			
10	15110-00004	Adaptor	3			
11	15110-00002	Adaptor	6			
12	15023-21002	Elbow 90'	1			
13	15023-21204	Elbow 90'	1			
14	15027-11203	Elbow 90'	3			
15	14200-10110	O-Ring	3			
16	15028-21203	Adaptor	8			
17	15018-10002	Plug	3			
18	15080-00006	Elbow 90'	1			
19	00072-00108	Adaptor	1			
20	14200-10140	O-Ring	14			
21	00932-98200	Plate	1			
22	11000-40820	Bolt M8X20	7			
23	11400-20008	Washer, Spring M8	7			

SELECTOR VALVE

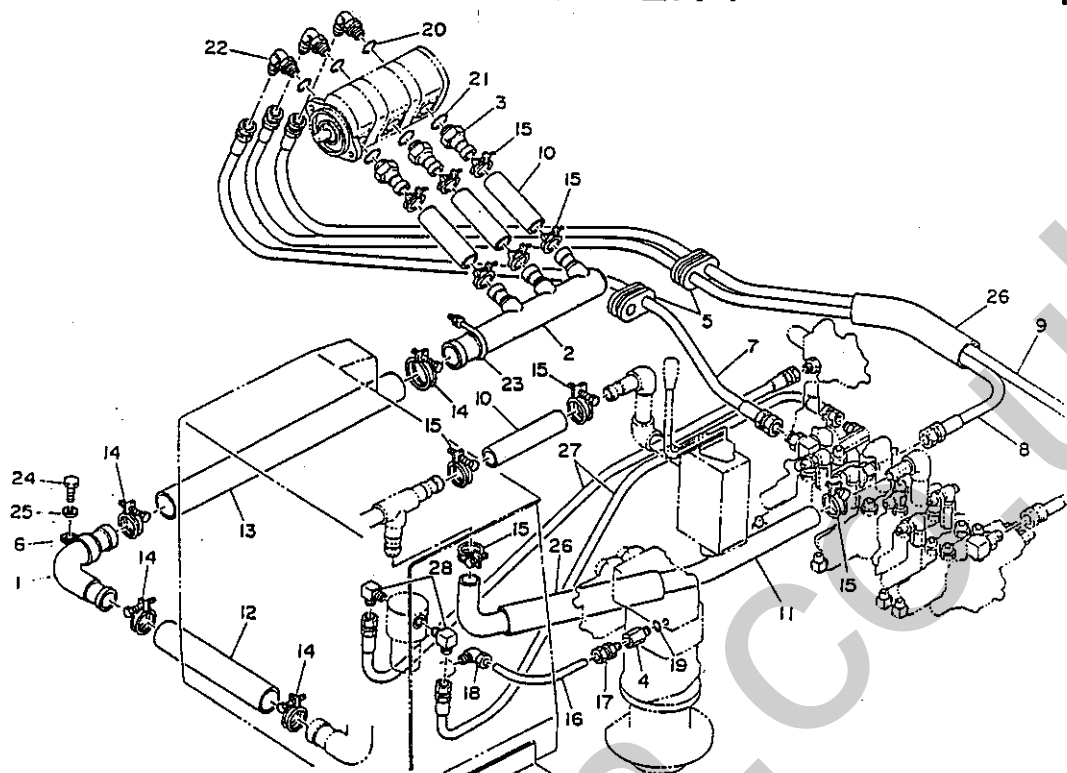
Figure 21



ITEM	PARTS NUMBER	DESCRIPTION	QTY.	CHANGE	SERIAL #	REMARKS
1	19017-12400	Valve, Selector	1			
2	14200-00180	O-Ring	2			
3	14200-10140	O-Ring	1			
4	14330-30004	Lever Pin	2			
5	19017-01803	Sleeve	1			
6	19017-01804	Collar	1			
7	19017-01805	Stopper	1			
8	14330-20011	Bracket, Lever	1			
9	19010-03756	Spring	1			
10	19017-08713	Plug	1			
11	19017-08717	Lever	1			
12	11100-50618	Bolt M6X 8	4			
13	11411-10005	Washer M5	2			
14	12100-01210	Cotter Pin	2			
15	13900-20300	Steel Ball	2			
16	19017-10403	Check	2			

PIPING: UPPER 1

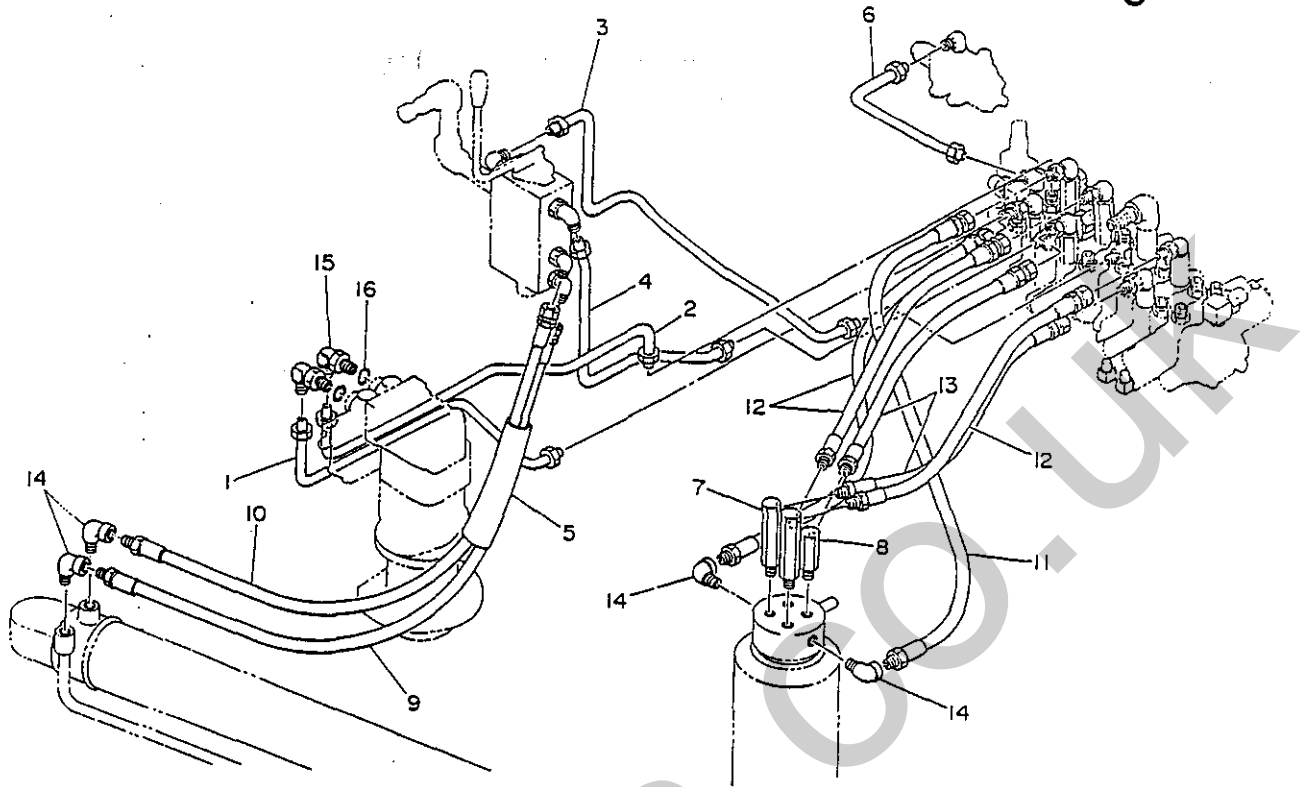
Figure 22



ITEM	PARTS NUMBER	DESCRIPTION	QTY.	CHANGE	SERIAL #	REMARKS
1	03070-02200	Pipe	1			
2	01070-10100	Pipe, Inlet	1			
3	00072-00026	Nipple	3			
4	00970-53200	Connector	1			
5	00870-30400	Guard	2			
6	00073-00031	Clamp	1			
7	19052-12100	Hose Assy.	1			
8	19052-12125	Hose Assy.	1			
9	19052-12145	Hose Assy.	1			
10	15305-26016	Hose	4			
11	15305-26085	Hose	1			
12	15305-41025	Hose	1			
13	15305-41050	Hose	1			
14	15330-01055	Clamp	4			
15	15330-01035	Clamp	10			
16	15320-20615	Tube	1			
17	15325-20601	Connector	1			
18	15326-20601	Elbow 90°	1			
19	14203-10904	O-Ring	1			
20	14203-10910	O-Ring	3			
21	14203-10912	O-Ring	3			
22	15152-00433	Elbow 90°	3			
23	15332-00012	U-Bolt Assy.	1			
24	11000-40816	Bolt	1			
25	11400-20008	Washer, Spring	1			
26	15313-45025	Guard	2			
27	19048-23100	Hose Assy.	2			

PIPING: UPPER 2

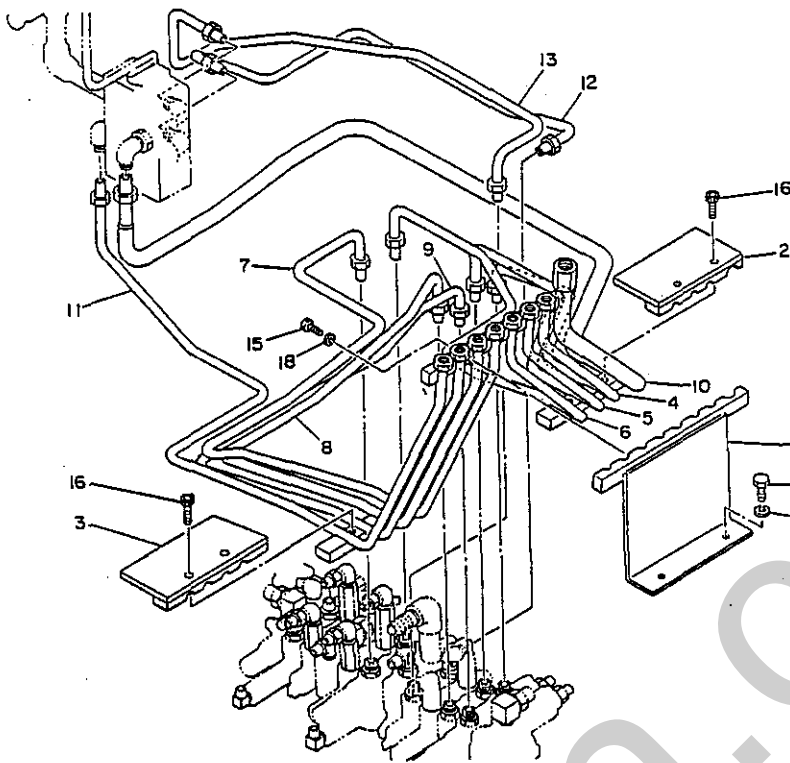
Figure 23



ITEM	PARTS NUMBER	DESCRIPTION	QTY.	CHANGE	SERIAL #	REMARKS
1	00970-71200	Pipe	1			
2	00970-71300	Pipe	1			
3	00970-71400	Pipe	1			
4	00970-71500	Pipe	1			
5	15313-35025	Guard	1			
6	00970-71800	Pipe	1			
7	00072-00054	Adaptor	2			
8	00072-00042	Adaptor	2			
9	19090-08080	Hose Assy.	1			
10	19090-08075	Hose Assy.	1			
11	19090-08045	Hose Assy.	1			
12	19090-08035	Hose Assy.	3			
13	19090-08030	Hose Assy.	2			
14	15013-00002	Elbow 90'	4			
15	15027-11202	Elbow 90'	2			
16	14200-10110	O-Ring	2			

PIPING: UPPER 3

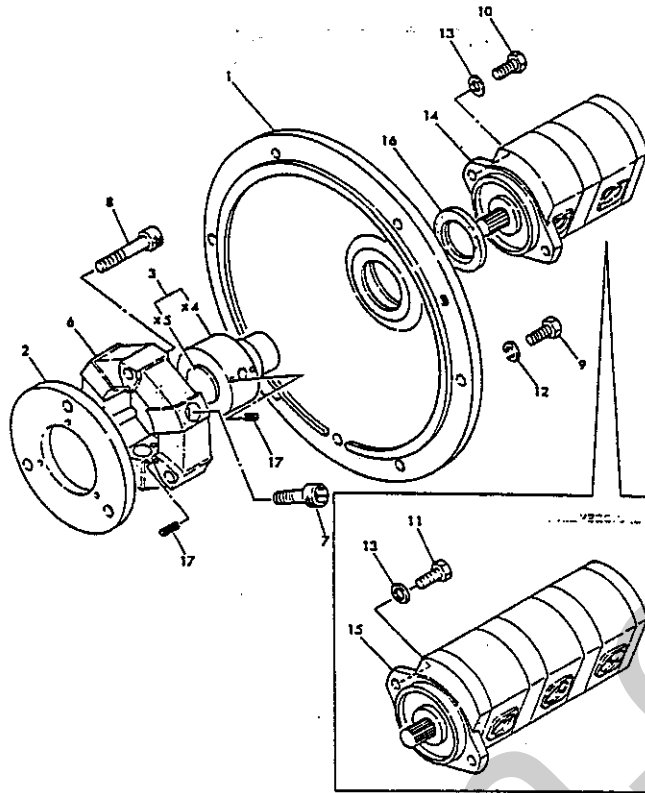
Figure 24



ITEM	PARTS NUMBER	DESCRIPTION	QTY.	CHANGE	SERIAL #	REMARKS
1	01070-14400	Clamp	1			
2	00970-70100	Clamp	1			
3	00970-62300	Clamp	1			
4	00970-70200	Pipe	1			
5	00970-70300	Pipe	1			
6	00970-70400	Pipe	1			
7	00970-70500	Pipe	1			
8	00970-70600	Pipe	1			
9	00970-70700	Pipe	1			
10	00970-70800	Pipe	1			
11	00970-70900	Pipe	1			
12	00970-71000	Pipe	1			
13	00970-71100	Pipe	1			
14	11000-41018	Bolt	2			
15	11000-40830	Bolt	3			
16	11100-40835	Bolt, Socket	4			
17	11400-20010	Washer, Spring	2			
18	11400-20008	Washer, Spring	3			

HYDRAULIC PUMP & DRIVE

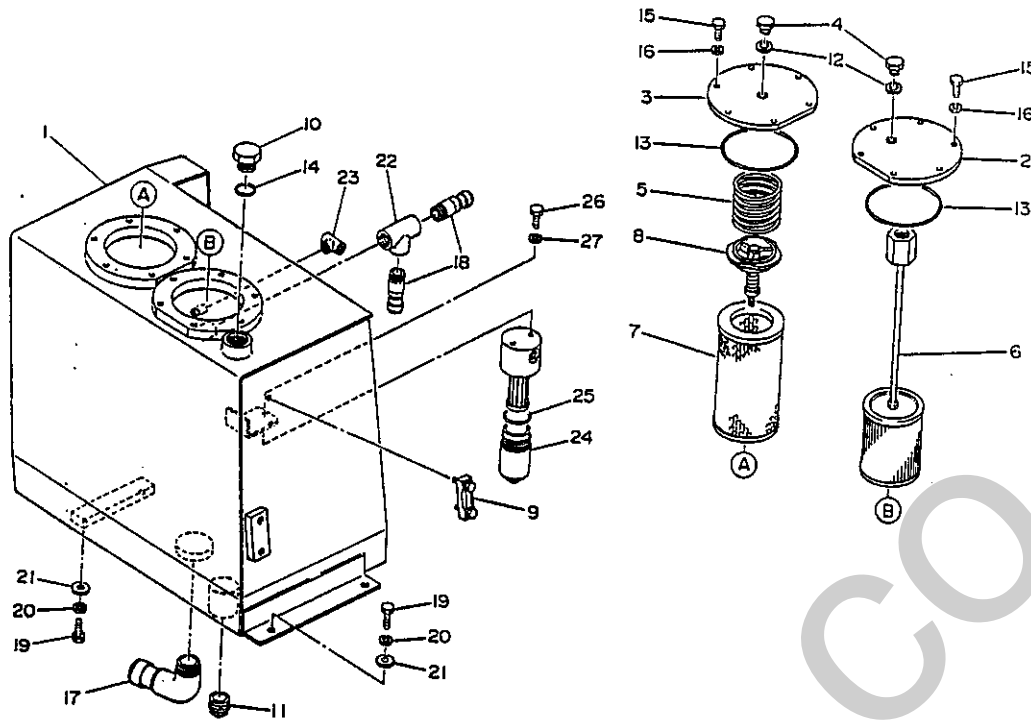
Figure 25



ITEM	PARTS NUMBER	DESCRIPTION	QTY.	CHANGE	SERIAL #	REMARKS
1	01452-51000	Housing, Engine	1			
2	01452-51200	Flange	1			
3	02552-90000	Coupling Assy.	1			
4	02552-01200	Coupling	1			
5	02552-01300	Cover	1			
6	16020-00160	Center Flex Coupling	1			
7	11100-51240	Bolt M12X40	3			
8	11100-51265	Bolt M12X65	3			
9	11000-41025	Bolt M10X25	6			
10	11030-51025	Bolt M10X25	2			
11	11400-20010	Spring Washer M10	6			
12	11411-10010	Washer M10	2			
13	19020-07800	Pump Assy., Hyd. Oil	1			
14	14004-02382	Oil Seal	1			
15	12130-00510	Spring Pin 5X10	9			

HYDRAULIC TANK

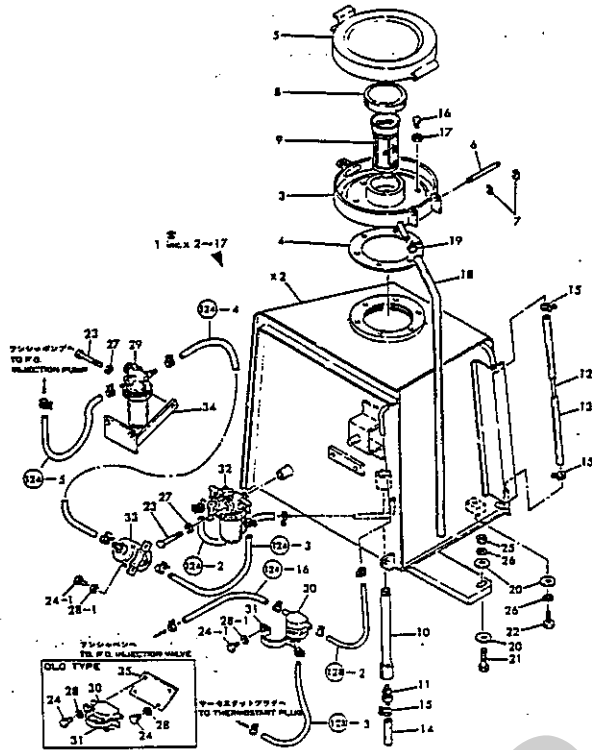
Figure 26



ITEM	PARTS NUMBER	DESCRIPTION	QTY.	CHANGE	SERIAL #	REMARKS
0-1	00980-90060	Tank Assy., Hydraulic	1			
1	00980-37100	Tank, Hydraulic	1			
2	02280-10200	Flange	1			
3	05480-00200	Flange	1			
4	02180-10900	Plug	2			
5	00070-00031	Spring	1			
6	15501-00400	Strainer	1			
7	15511-00700	Hydraulic Filter	1			
8	15511-00300	Valve Assy.	1			
9	15530-20655	Gauge	1			
10	15017-50010	Plug	1			
11	15087-00010	Plug	1			
12	15142-01616	Packing	2			
13	14201-01300	O-Ring	2			
14	14200-10290	O-Ring	1			
15	11000-51025	Bolt M10X25	12			
16	11400-10010	Washer, Spring M10	12			
17	00980-29100	Pipe	1			
18	00099-00001	Nipple	2			
19	11000-51025	Bolt M10X25	4			
20	11400-10010	Washer, Spring M10	4			
21	00036-00003	Washer, Spring	4			
22	15082-00006	Tee	1			
23	15082-00007	Tee	1			
0-1	15511-00900	Filter Assy.	1			
24	15511-00902	Case	1			
25	14201-00400	O-Ring	1			

FUEL TANK

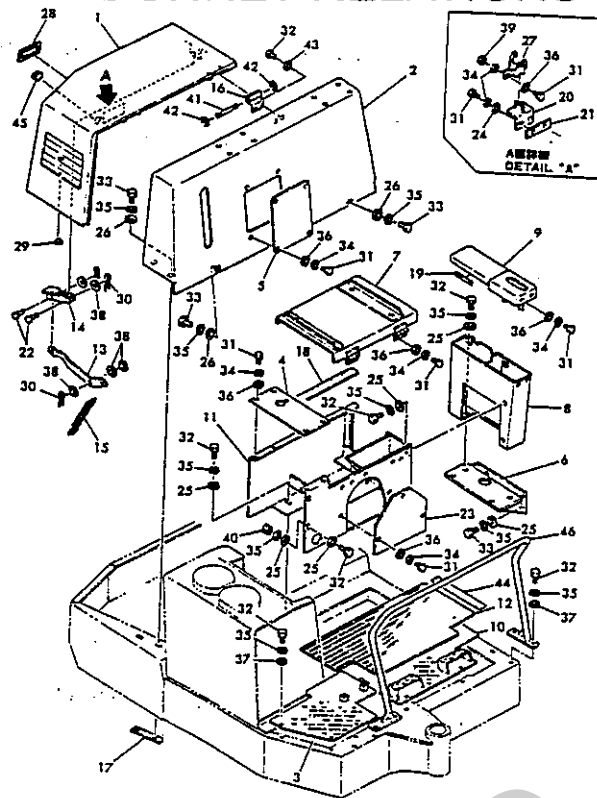
Figure 27



ITEM	PARTS NUMBER	DESCRIPTION	QTY.	CHANGE	SERIAL #	REMARKS
1	00981-90030	Fuel Oil Tank Assy.	1			
2	00981-34300	Fuel Oil Tank	1			
3	01081-10200	Sump, Fuel	1			
4	01681-06300	Gasket	1			
5	05481-02300	Cover, Fuel	1			
6	00042-08075	Shaft, Lever	1			
7	12240-00006	Circlip M6	2			
8	15520-01022	Cover	1			
9	15520-02012	Strainer, Fuel	1			
10	01081-10300	Joint	1			
11	00072-00090	Valve, Drain	1			
12	01081-11300	Gauge, Level	1			
13	15310-10037	Tube	1			
14	15310-10006	Hose	1			
15	15330-01015	Clamp, Wire	3			
16	26160-80122	Bolt M8X12 Plated	6			
17	11411-10008	Washer M8	6			
18	15311-12075	Tube	1			
19	15330-01015	Clamp, Wire	1			
20	00036-00025	Washer	5			
21	26161-00402	Bolt M10X40 Plated	1			
22	26161-00202	Bolt M10X20 Plated	3			
23	26160-80702	Bolt M8X70 Plated	2			
24	26160-60102	Bolt M6X10 Plated	4			
25	11300-40010	Nut M10				
26	22171-00000	Spring Washer M10	4			
27	22170-80000	Spring Washer M8	2			

BONNET RELATIONS

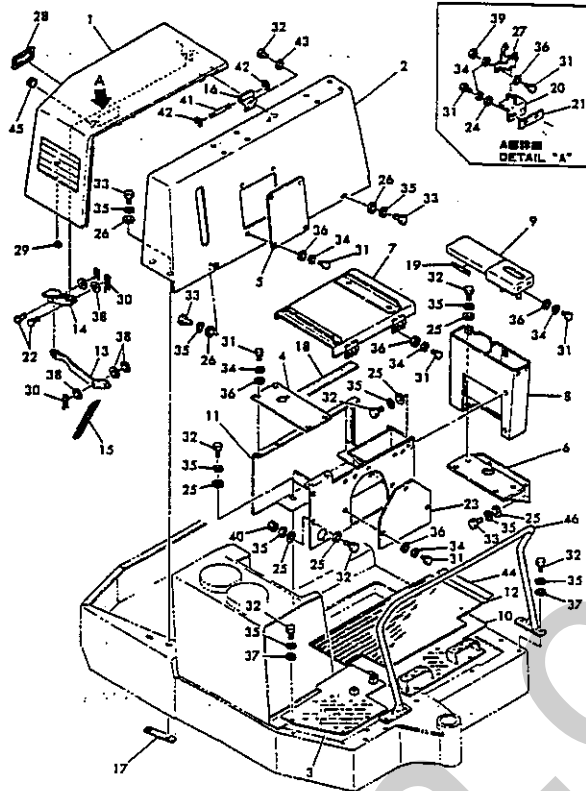
Figure 28



ITEM	PARTS NUMBER	DESCRIPTION	QTY.	CHANGE	SERIAL #	REMARKS
1	00982-77500	Cover, Eng.	1			
2	00982-77400	Cover (Front), Eng.	1			
3	00982-73900	Plate, Stage	1			
4	00982-77100	Center Cover	1			
5	00982-73600	Cover	1			
6	01082-13500	Angle Stay	1			
7	01082-13900	Cover, Tool Box	1			
8	01082-18500	Stand	1			
9	01082-18400	Cover, Control	1			
10	01082-16100	Plate, Stage	1			
11	00982-77600	Cover, Floor	1			
12	01082-17300	Mat, Floor	1			
13	00982-77800	Link, Cover	1			
14	00982-77700	Link, Cover	1			
15	00070-00030	Spring	1			
16	01082-18300	Hinge	2			
17	01082-11800	Nut Plate	1			
18	01082-11900	Rubber Plate	1			
19	05482-05300	Nonslip Seat	1			
20	00982-56700	Hook	11			
21	00982-5700	Nut Plate	1			
22	00040-00001	Pin	2			
23	00982-74400	Cover	1			
24	00036-08003	Washer	2			
25	00036-00020	Washer	15			
26	00036-00025	Washer	8			
27	16536-10304	Door Lock Assy.	1			

BONNET RELATIONS

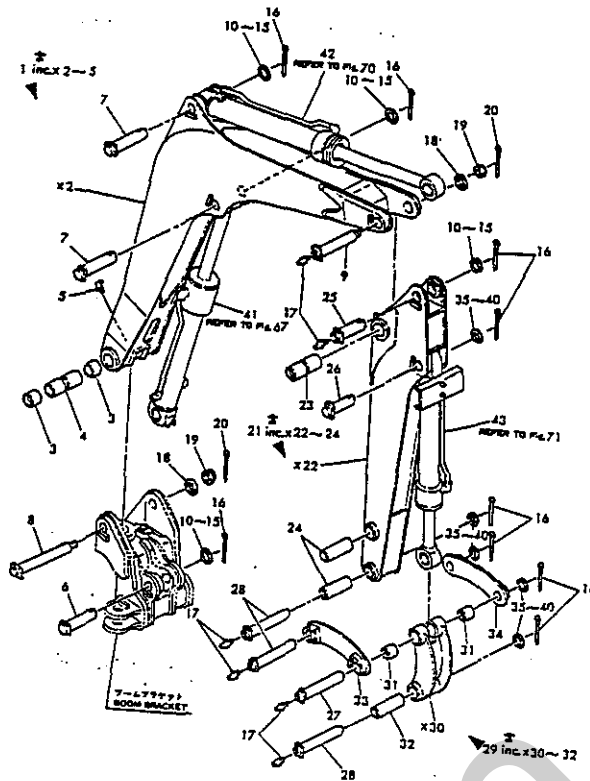
Figure 28



ITEM	PARTS NUMBER	DESCRIPTION	QTY.	CHANGE	SERIAL #	REMARKS
28	16546-01100	Trim	1			
29	16525-05400	Cushion, Rubber	2			
30	12140-00012	Snap Ring 12	3			
31	11000-40820	Bolt M8X 20	23			
32	11000-41020	Bolt M10X20	34			
33	11000-41025	Bolt M10X25	12			
34	11400-20008	Spring Washer M8	23			
35	11400-20010	Spring Washer M10	46			
36	11411-10008	Washer M8	18			
37	11411-10010	Washer M10	17			
38	11411-10012	Washer M12	5			
39	11300-40008	Nut M8	2			
40	11300-40010	Nut M10	2			
41	00042-06091	Shaft, Lever	2			
42	12240-10004	Circlip	4			
43	11415-40010	Washer M10	4			
44	01082-18800	Non-slip Seat	1			
45	16520-52400	Grommet	1			
46	01082-14200	Guard, Front	1			

BOOM AND ARM

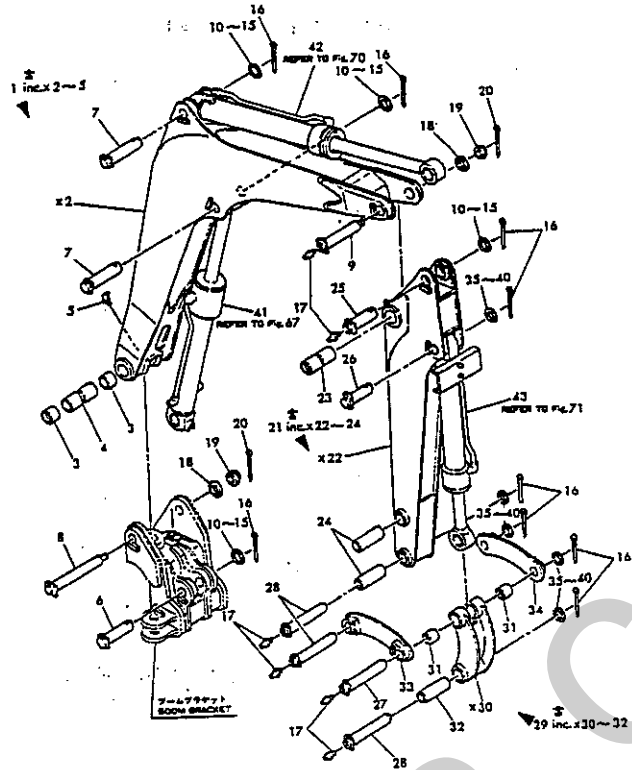
Figure 31



ITEM	PARTS NUMBER	DESCRIPTION	QTY.	CHANGE	SERIAL #	REMARKS
1	00960-90040	Boom Assy., Main	1			
2	00960-52100	Boom, Main	1			
3	00024-40040	Bushing	2			
4	00035-00007	Collar	1			
5	15600-01900	Nipple, Grease PT1/8	1			
6	00010-40138	Pin	1			
7	00010-40161	Pin	2			
8	00014-04005	Pin	1			
9	00019-00051	Pin	1			
10	00030-40000	Collar T1.0	4			
11	00030-40001	Collar T1.6	4			
12	00030-40002	Collar T2.3	4			
13	00030-40003	Collar T3.2	4			
14	00030-40004	Collar T4.0	4			
15	00030-40005	Collar T5.0	4			
16	12100-00860	Cotter Pin 8X60	9			
17	15600-01000	Grease Nipple	6			
18	00039-00013	Washer	2			
19	11326-20030	Castle Nut M30	2			
20	12100-00655	Cotter Pin 6X55	2			
21	00961-90020	Arm Assy.	1			
22	00961-36100	Arm	1			
23	00023-40124	Bushing	1			
24	00021-00003	Bushing	2			
25	00013-40125	Pin	1			
26	00010-35125	Pin	1			
27	00019-00010	Pin	1			

BOOM AND ARM

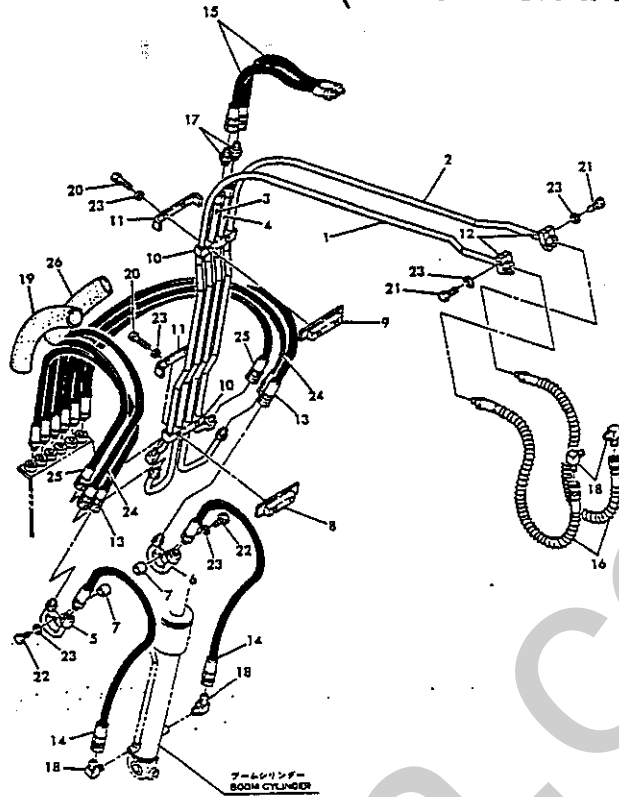
Figure 31



ITEM	PARTS NUMBER	DESCRIPTION	QTY.	CHANGE	SERIAL #	REMARKS
28	00013-35206	Pin	3			
29	00961-90001	Link Arm Assy.	1			
30	00961-32400	Link Arm	1			
31	00021-00001	Bushing	2			
32	00021-00003	Bushing	1			
33	00961-32500	Plate, R	1			
34	00961-32600	Plate, L	1			
35	00030-35000	Collar T1.0	5			
36	00030-35001	Collar T1.6	5			
37	00030-35002	Collar T2.3	5			
38	00030-35003	Collar T3.2	5			
39	00030-35004	Collar T4.0	5			
40	00030-35005	Collar T5.0	5			
41	19000-30500	Cyl. Assy., Main Boom	1			
42	19000-13400	Cyl. Assy., Arm	1			
43	19000-24900	Cyl. Assy., Bucket	1			

HYD. OIL PIPING (BOOM & ARM)

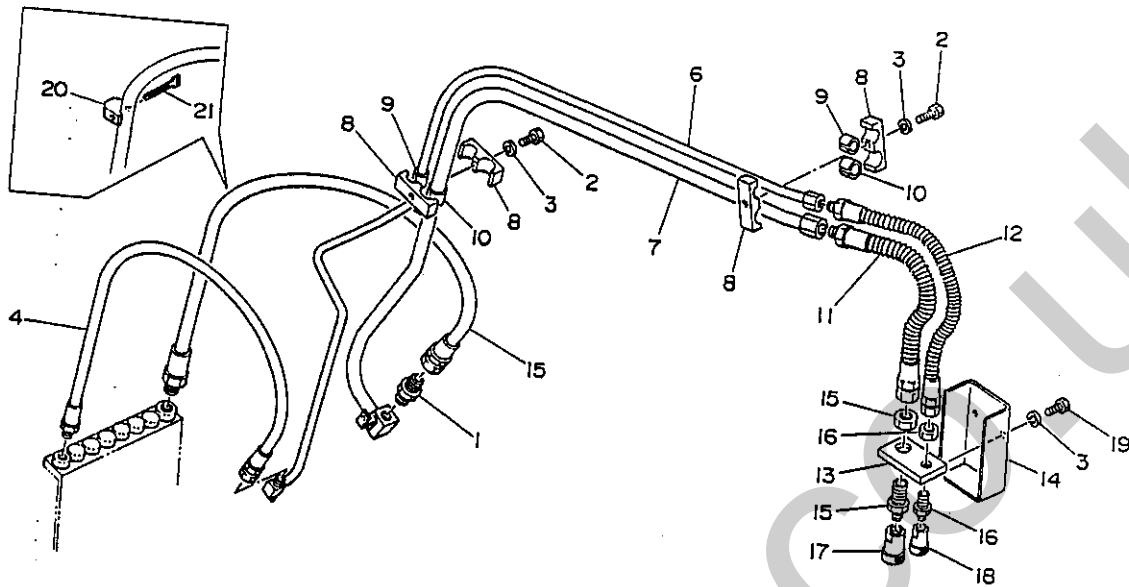
Figure 33



ITEM	PARTS NUMBER	DESCRIPTION	QTY.	CHANGE	SERIAL #	REMARKS
1	00973-51100	Pipe, Bucket (R)	1			
2	00973-51200	Pipe, Bucket (L)	1			
3	00973-51300	Pipe, Arm (R)	1			
4	00973-51400	Pipe, Arm (L)	1			
5	00973-51500	Pipe, Boom (R)	1			
6	00973-51600	Pipe, Boom (L)	1			
7	00973-51700	Boss, Mtg.	2			
8	00973-51800	Plate, Mtg.	1			
9	01473-54800	Plate, Mtg.	1			
10	01473-54500	Protector, Pipe	2			
11	01473-54400	Clamp, Pipe	2			
12	00973-41800	Clamp	2			
13	19050-09110	Hose, HP	2			
14	19050-09075	Hose, HP	2			
15	19050-09035	Hose, HP	2			
16	19081-09065	Hose, HP w/Wire	2			
17	15110-00003	Adaptor, Hose	2			
18	15111-00003	Adaptor	4			
19	11000-50840	Bolt M8X40	4			
20	11000-50840	Bolt M8X40	4			
21	11000-50820	Bolt M8X20	2			
22	11400-10008	Washer M8	2			
23	19050-09114	Hose	2			
24	15313-45075	Hose	2			
25	19050-09118	Hose, HP	2			

HYD. OIL PIPING (AUX.)

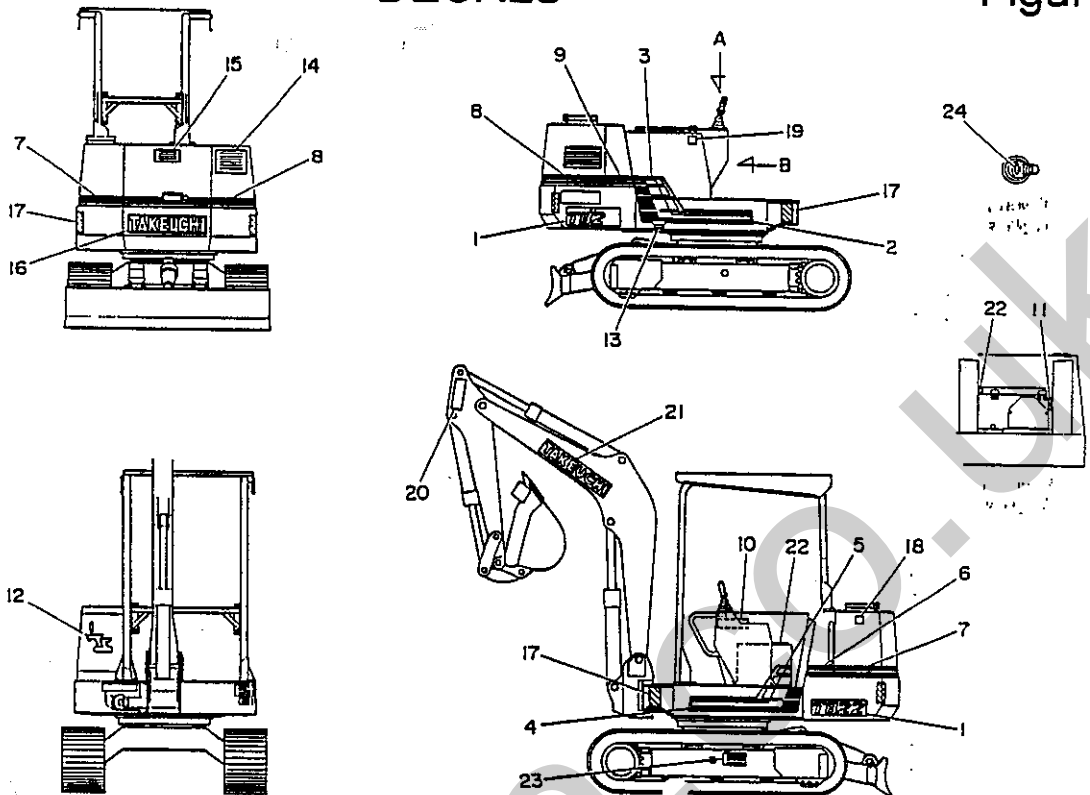
Figure 34



ITEM	PARTS NUMBER	DESCRIPTION	QTY.	CHANGE	SERIAL #	REMARKS
0-1	00973-90000	Breaker Piping Assy.	1			
1	15110-00001	Adaptor	1			
2	11000-50835	Bolt M8X35	2			
3	11400-10008	Washer, Spring M8	4			
4	19050-09118	Hose Assy.	1			
5	19050-16130	Hose Assy.	1			
6	00973-53100	Pipe	1			
7	00973-55400	Pipe	1			
8	00973-53300	Clamp	2			
9	01473-51300	Protector	2			
10	05673-11800	Rubber	2			
11	19081-19080	Hose Assy.	1			
12	19081-09085	Hose Assy.	1			
13	00973-55100	Plate	1			
14	00973-55200	Guard	1			
15	15116-00006	Adaptor 15116-20006	1	122153	1156	p/#15116-20006
16	15116-00003	Adaptor 15116-20003	1			p/#15116-20003
17	15166-00006	Socket Coupling	1			
18	15166-00006	Socket Coupling	1			
19	11000-40816	Bolt M8X16	2			
20	00973-54100	Rubber	1			
21	16522-01007	Band	1			

DECALS

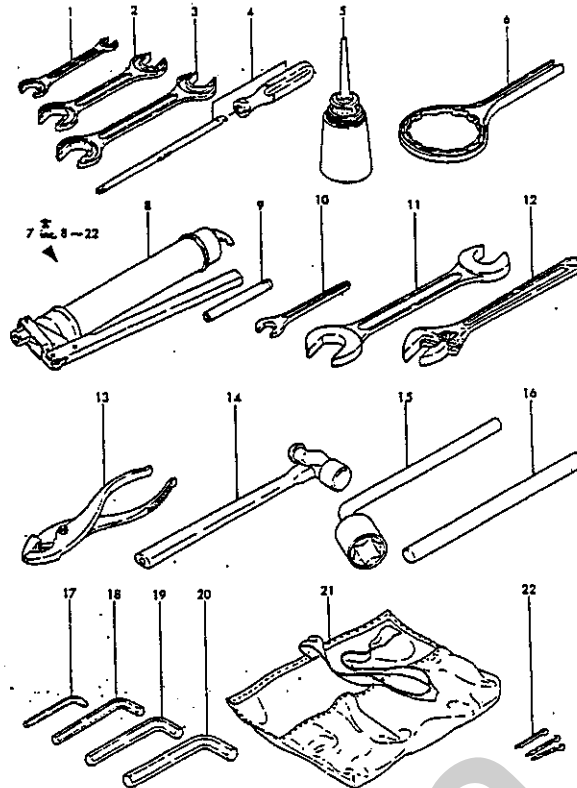
Figure 35



ITEM	PARTS NUMBER	DESCRIPTION	QTY.	CHANGE	SERIAL #	REMARKS
0-1	00993-68000	Sticker Set Canopy	1			
1	00993-68100	Sticker	1			
2	00993-62200	Sticker	1			
3	00993-62300	Sticker	1			
4	00993-62400	Sticker	1			
5	00993-62500	Sticker	1			
6	00993-62600	Sticker	1			
7	00993-62700	Sticker	1			
8	00993-62800	Sticker	1			
9	00993-62900	Sticker	1			
10	00993-63100	Sticker	1			Type "G"
	00993-63200	Sticker	1			Type "A"
11	03093-01900	Sticker	1			
12	01493-65100	Symbol Mark	1			
13	03093-01700	Sticker	1			
14	02593-00300	Sticker	1			
15	02593-00400	Sticker	1			
16	00693-50300	Sticker	1			
17	00993-29400	Symbol Mark	4			
18	02593-00600	Symbol Mark	1			
19	02593-00700	Symbol Mark	1			
20	02593-01000	Sticker	1			
21	01893-11400	Symbol Mark	2			
22	05493-09600	Sticker	1			
23	01593-30100	Sticker	2			
24	05693-10800	Symbol Mark	1			

TOOLS

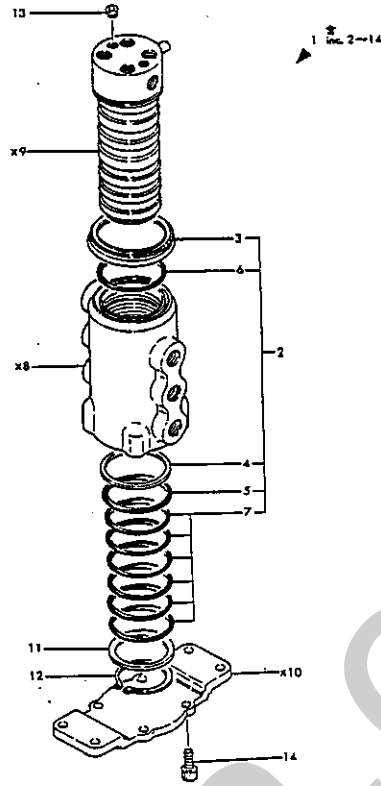
Figure 36



ITEM	PARTS NUMBER	DESCRIPTION	QTY.	CHANGE	SERIAL #	REMARKS
1	281101-00120	Wrench 10 X 12	1			
2	281101-40170	Wrench 14 X 17	1			
3	281101-90220	Wrench 19 X 22	1			
4	104200-92350	Scaw driver	1			
5	282100-00140	Oil Feeder	1			
6	124550-35350	Remover	1			
7	01092-90000	Tool Set	1			
8	16910-50300	Grease Gun	1			
9	16911-00003	Nozzle, Grease Gun	1			
10	16901-00013	Wrench	1			
11	16900-02427	Wrench	1			
12	16904-00250	Wrench	1			
13	16905-00200	Plier	1			
14	16903-00330	Hammer	1			
15	16908-50026	Wrench 26	1			
16	00079-00009	Pipe	1			
17	16906-00500	Wrench	1			
18	16906-00600	Wrench	1			
19	16906-00800	Wrench	1			
20	16906-01000	Wrench	1			
21	16914-00003	Bag, Tool	1			
22	12100-00860	Cotter Pin 8X60	3			

SWIVEL JOINT

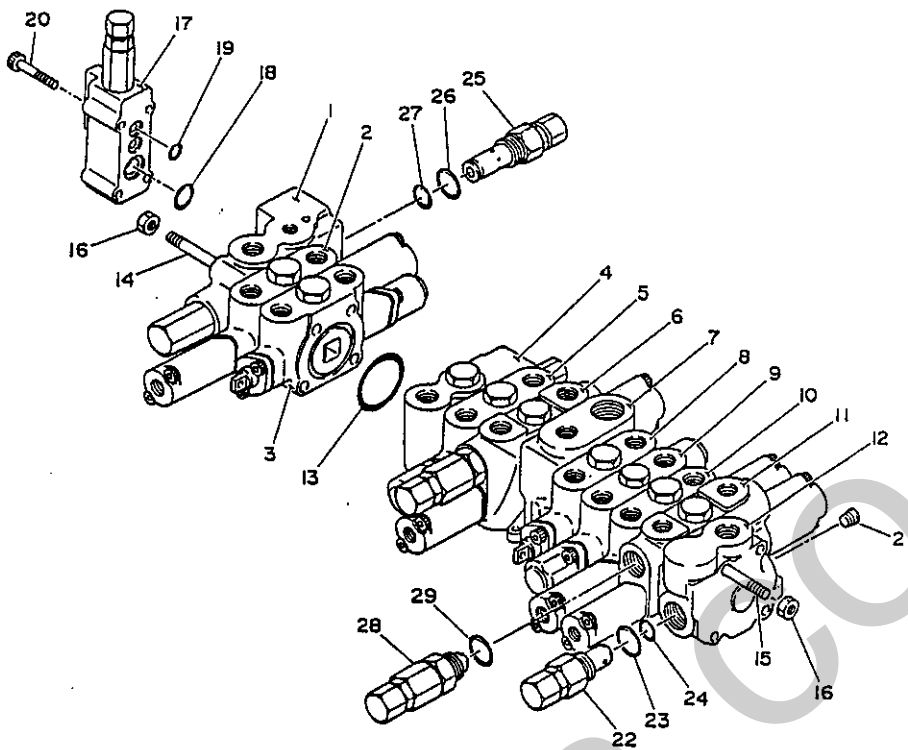
Figure 37



ITEM	PARTS NUMBER	DESCRIPTION	QTY.	CHANGE	SERIAL #	REMARKS
1	19040-03800	Joint	1			
2	19040-03799	Seal Kit	1			
3	19040-01695	Seal, Dust	1			
4	14212-01400	Back-up Ring	1			
5	14200-10550	O-Ring 1B-P55	1			
6	243210-00600	O-Ring 1A G-60.0	1			
7	14203-10228	O-Ring AR568-228-1B	6			
8	X19040-03801	Hub	1			
9	X19040-03711	Shaft	1			
10	X19040-01621	Flange	1			
11	19040-03791	Washer, Thrust	1			
12	19040-00893	Circlip, Shaft	1			
13	15018-10001	Plug 1/8	2			
14	11000-40820	Bolt M8X20	4			

CONTROL VALVE 1

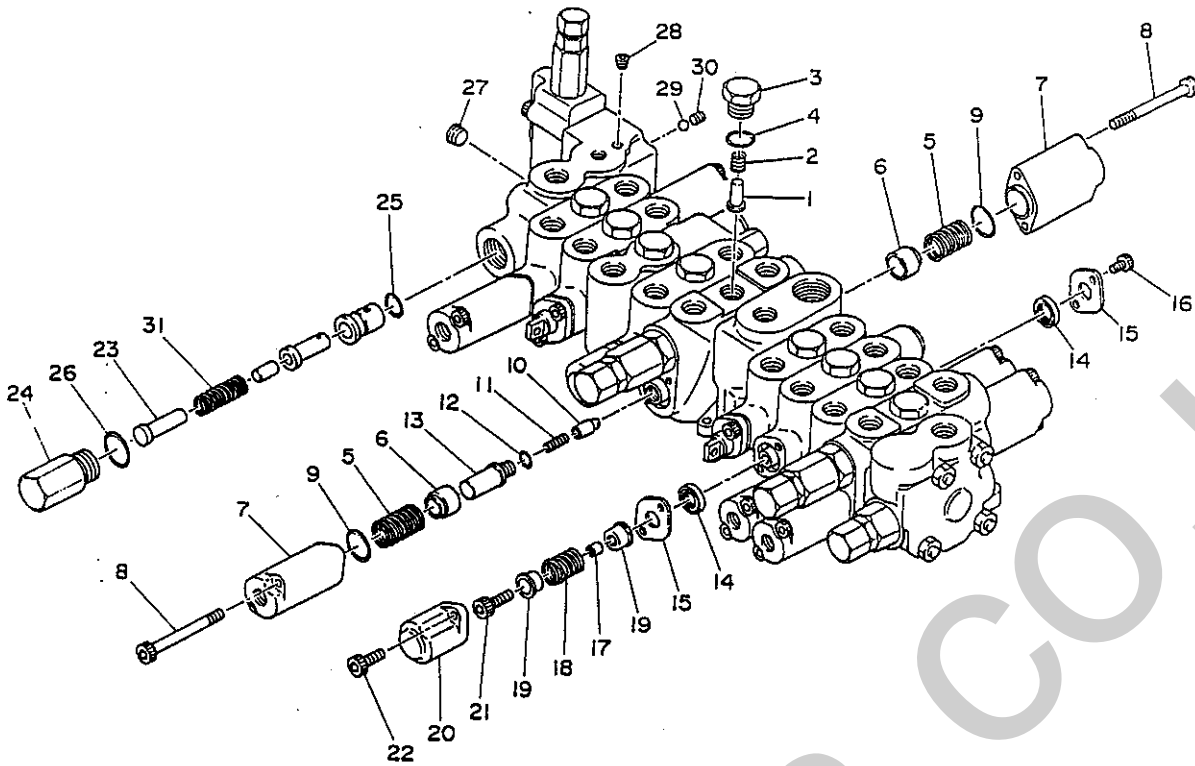
Figure 38



ITEM	PARTS NUMBER	DESCRIPTION	QTY.	CHANGE	SERIAL #	REMARKS
0-1	19010-23200	Valve Assy., Control	1			
1	19010-16801	Housing	1			
2	19010-16811	Block Assy., Slew	1			
3	19010-20177	Block Assy., Blade	1			
4	19010-23101	Housing	1			
5	19010-22814	Block Assy., Traction (L)	1			
6	19010-23212	Block Assy., Arm	1			
7	19010-23104	Housing	1			
8	19010-19118	Block Assy., Swing	1			
9	19010-23115	Block Assy., Traction (R)	1			
10	19010-16814	Block Assy., Bucket	1			
11	19010-16816	Block Assy., Boom	1			
12	19010-16105	Housing	1			
13	14201-10550	O-Ring	11			
14	19010-73206	Bolt	4			
15	19010-16107	Bolt	4			
16	11300-50008	Nut	8			
17	19010-20821	Valve Assy.	1			
18	14200-10140	O-Ring	1			
19	14200-00080	O-Ring	1			
20	11100-50640	Bolt, Socket M6X40	4			
21	15018-10002	Plug	2			
22	19010-22821	Valve Assy.	2			
23	14200-10220	O-Ring	1			
24	14329-00010	O-Ring	1			
25	19010-23221	Valve Assy.	1			
26	14200-10220	O-Ring	1			

CONTROL VALVE 2

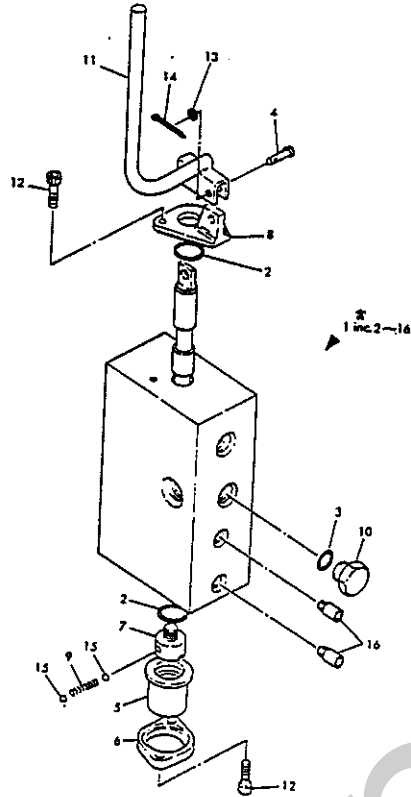
Figure 39



ITEM	PARTS NUMBER	DESCRIPTION	QTY.	CHANGE	SERIAL #	REMARKS
1	19010-09866	Valve, Check	5			
2	19010-16156	Spring	5			
3	19010-04166	Plug	8			
4	14200-10140	O-Ring	8			
5	19010-16857	Spring	8			
6	19010-16841	Holder, Spring	8			
7	19010-20861	Cover	8			
8	11100-50670	Bolt, Socket M6X70	16			
9	14200-10220	O-Ring	8			
10	19010-23290	Valve, Check	1			
11	19010-23256	Spring	1			
12	14200-10060	O-Ring	1			
13	19010-23291	End, Spool	1			
14	14329-00036	Seal, Oil	8			
15	19010-09841	Holder, Seal	8			
16	11100-50610	Bolt, Socket	8			
17	19010-20391	Spacer	4			
18	19010-14356	Spring	4			
19	19010-04151	Holder, Spring	8			
20	19010-04162	Cover	1			
21	11100-50820	Bolt, Socket M8X20	4			
22	11100-50620	Bolt, Socket M6X20	8			
23	19010-16892	Stopper	1			
24	19010-16893	Cover	1			
25	14329-00010	O-Ring	1			
26	14200-10220	O-Ring	1			
27	15018-10002	Plug	1			

SELECTOR VALVE

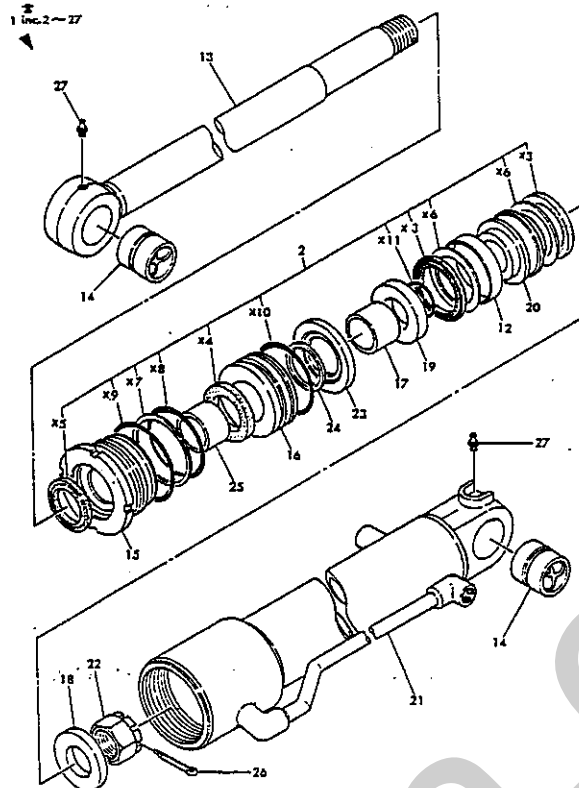
Figure 40



ITEM	PARTS NUMBER	DESCRIPTION	QTY.	CHANGE	SERIAL #	REMARKS
1	19017-12400	Valve, Selector	1			
2	14200-00180	O-Ring	2			
3	14200-10140	O-Ring	1			
4	14330-30004	Lever Pin	2			
5	19017-01803	Sleeve	1			
6	19017-01804	Collar	1			
7	19017-01805	Stopper	1			
8	14330-20011	Bracket, Lever	1			
9	19010-03756	Spring	1			
10	19017-08717	Plug	1			
11	19017-08717	Lever	1			
12	11100-50618	Bolt M6X8	4			
13	11411-10005	Washer M5	2			
14	12100-01210	Cotter Pin	2			
15	13900-20300	Steel Ball	2			
16	19017-10403	Check	2			

MAIN BOOM CYLINDER

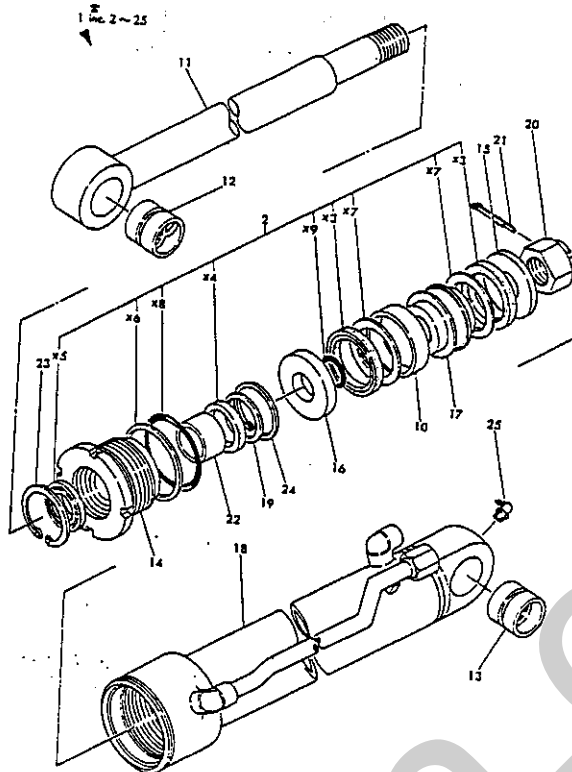
Figure 42



ITEM	PARTS NUMBER	DESCRIPTION	QTY.	CHANGE	SERIAL #	REMARKS
1	19000-30500	Cylinder, Main Boom	1			
2	19000-30599	Seal Kit	1			
3	X14100-70609	U-Ring ODI 70-60-9	2			
4	X14105-45609	U-Ring IDI 45-60-9	1			
5	X19000-30533	Seal Dust	1			
6	X14112-75603	Back-up Ring 75X60X3	2			
7	X14210-20750	Back-up P75-T2	1			
8	X14200-10750	O-Ring G80, 1B	1			
9	X14201-10850	O-Ring G85, 1B	1			
10	X14201-10800	O-Ring G80, 1B	1			
11	X14200-10320	O-Ring P32, 1B	1			
12	14107-07520	Wear Ring	1			
13	19000-30501	Piston Rod	1			
14	19000-16002	Bushing	2			
15	19000-30503	Cover, Rod	1			
16	19000-29304	Retainer	1			
17	19000-29305	Cushion, Rod	1			
18	19000-13350	Plate	1			
19	19000-13355	Holder, Gasket	1			
20	19000-13306	Piston	1			
21	19000-30507	Tube	1			
22	19000-09509	Nut	1			
23	19000-13315	Spacer	1			
24	19000-29316	Cushion Ring	1			
25	13330-04530	Bushing MB453ODU	1			
26	12100-00655	Cotter Pin 6X55	1			
27	15600-01000	Grease Nipple PT 1/8	2			

ARM CYLINDER

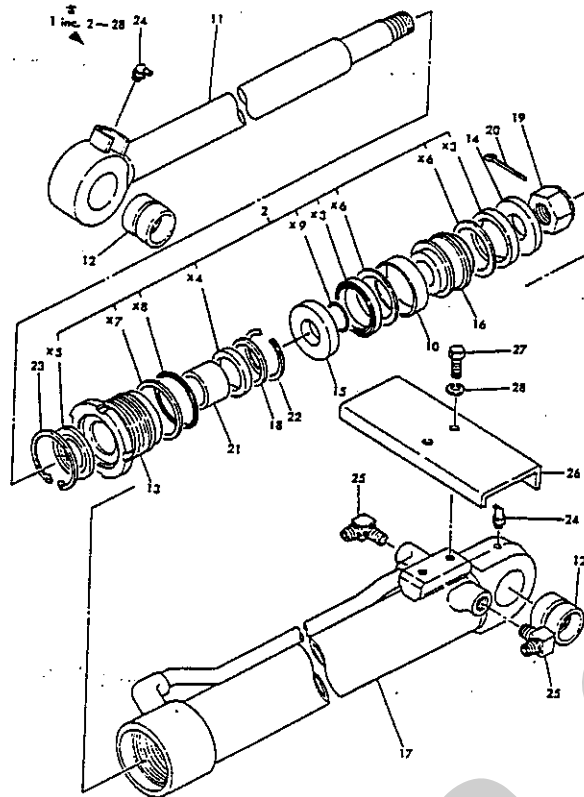
Figure 43



ITEM	PARTS NUMBER	DESCRIPTION	QTY.	CHANGE	SERIAL #	REMARKS
1	19000-13400	Cylinder, Boom	1			
2	19000-13499	Seal Kit	1			
3	X14100-75609	Packing, Piston	2			
4	X14105-45609	Seal, Oil	1			
5	X14111-00045	Seal, Dust	1			
6	X14211-30850	Ring, Back-up G85	1			
7	X14112-75603	Ring, Backup	2			
8	X14201-10850	O-Ring 1B G85.0	1			
9	X14200-10320	O-Ring 1B P32.0	1			
10	14107-07520	Wear Ring	1			
11	19000-13401	Rod, Piston	1			
12	19000-04920	Bushing	1			
13	19000-03702	Bushing	1			
14	19000-13403	Cover, Rod	1			
15	19000-13450	Plate	1			
16	19000-13455	Holder, Packing	1			
17	19000-13406	Piston	1			
18	19000-13407	Pipe	1			
19	19000-02208	Holder, Packing	1			
20	19000-04209	Castle, Nut	1			
21	12100-00660	Cotter Pin 6X60	1			
22	13330-04530	Bushing	1			
23	12210-00063	Circlip 63	1			
24	19000-13414	Snap Ring	1			
25	15600-01900	Nipple, Grease	1			

BUCKET CYLINDER

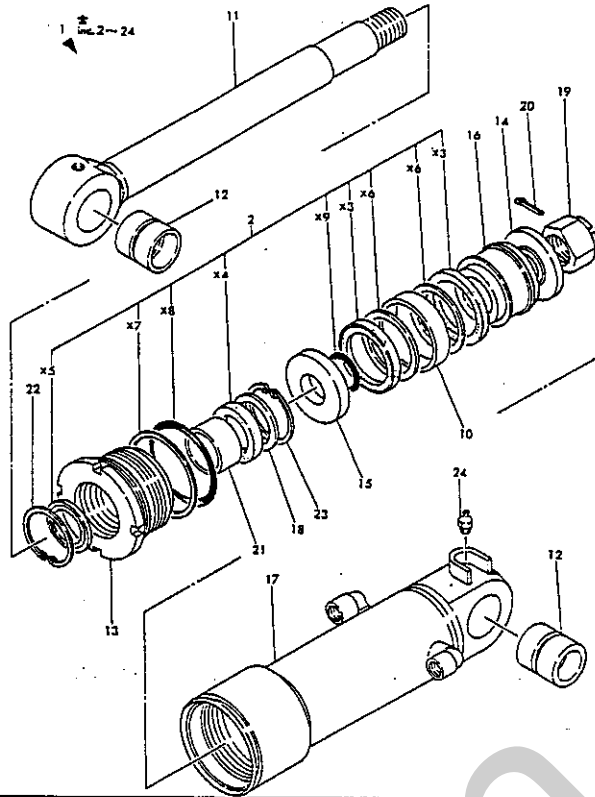
Figure 44



ITEM	PARTS NUMBER	DESCRIPTION	QTY.	CHANGE	SERIAL #	REMARKS
1	19000-24900	Cyl., Bucket	1			
2	19000-11199	Seal Kit	1			
3	X14100-63489	Packing, Piston	2			
4	X14105-40508	Packing, Rod	1			
5	X14111-00040	Seal, Dust	1			
6	X14112-63483	Ring, Backup	2			
7	X14211-20650	Ring, Backup G65	1			
8	X14201-10650	O-Ring 1B- G65	1			
9	X14200-10280	O-Ring	1			
10	14107-06316	Wear Ring	1			
11	19000-24901	Rod, Piston	1			
12	19000-00502	Bushing	2			
13	19000-11103	Cover, Rod	1			
14	19000-11150	Plate, Keep	1			
15	19000-11155	Holder, Gasket	1			
16	19000-11106	Piston	1			
17	19000-23607	Tube	1			
18	19000-11108	Holder, Rod Gasket	1			
19	19000-00509	Nut M27	1			
20	12100-00550	Cotter Pin 5X50	1			
21	13330-04030	Bushing	1			
22	12256-20050	Snap Ring	1			
23	12210-00058	Circlip 58	1			
24	15600-01900	Grease Nipple PT 1/8	2			
25	15111-00003	Adaptor 3/8	2			
26	19000-23618	Cover	1			
27	11000-51025	Bolt M10X25	2			

BLADE CYLINDER

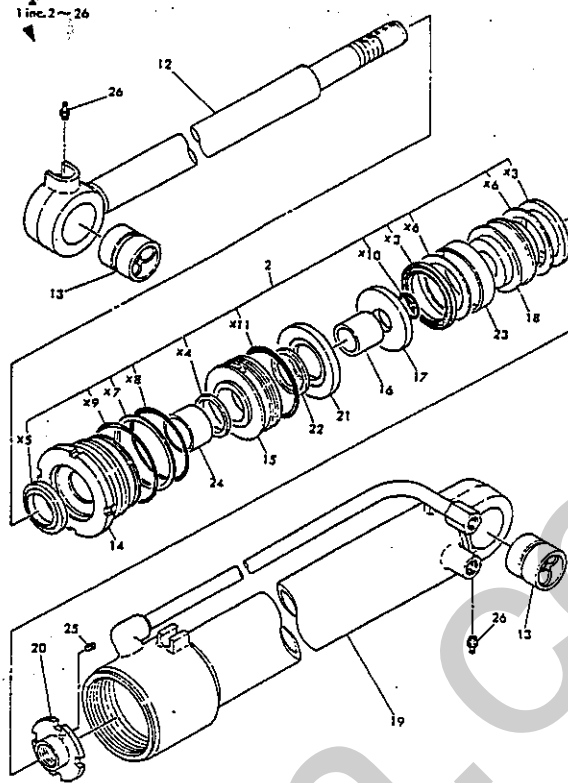
Figure 45



ITEM	PARTS NUMBER	DESCRIPTION	QTY.	CHANGE	SERIAL #	REMARKS
1	19000-15100	Cylinder, Blade	1			
2	19000-05099	Seal Kit	1			
3	X14100-80659	Seal, Oil	2			
4	X14105-45609	Seal, Oil	1			
5	X14111-00045	Seal, Dust	1			
6	X14112-80653	Ring, Backup	2			
7	X14211-30900	Ring, Backup	1			
8	X24350-00900	O-Ring 1B G90.0	1			
9	X24350-00350	O-Ring 1B G35.0	1			
10	14107-08020	Wear Ring	1			
11	19000-15101	Rod, Piston	1			
12	19000-00102	Bushing	2			
13	19000-05003	Tube, Cylinder	1			
14	19000-04950	Plate	1			
15	19000-04955	Holder, Packing	1			
16	19000-04906	Piston	1			
17	19000-15107	Pipe	1			
18	19000-02208	Holder, Packing	1			
19	19000-02209	Nut	1			
20	12100-00660	Cotter Pin 6X60	1			
21	13330-04530	Bushing	1			
22	12210-00063	Circlip 63	1			
23	22250-00600	Circlip 60	1			
24	15600-01000	Nipple, Grease	1			

SWING CYLINDER

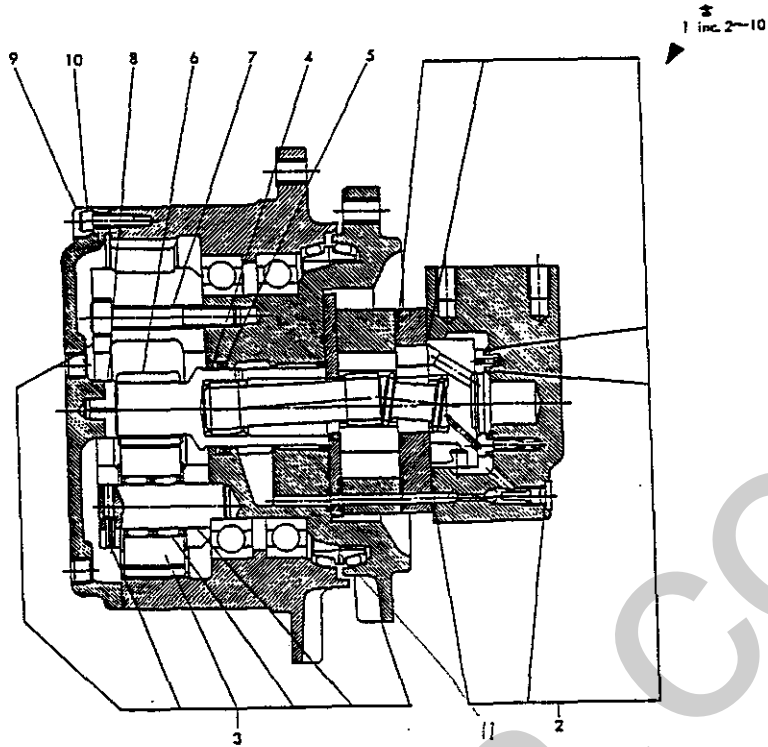
Figure 46



ITEM	PARTS NUMBER	DESCRIPTION	QTY.	CHANGE	SERIAL #	REMARKS
1	19000-30400	Cylinder Assy., Swing	1			
2	19000-30499	Seal Kit	1			
3	X14111-30750	Gasket, Piston	2			
4	X19000-15430	Gasket, Rod	1			
5	X19000-05613	Seal, Dust	1			
6	X14112-75622	Ring, Backup 75-62-2	2			
7	X14210-20750	Ring, Backup P75, T2	1			
8	X14200-10750	O-Ring P75 1B	1			
9	X14201-10850	O-Ring G85 1B	1			
10	X14200-10280	O-Ring P28 1B	1			
11	X14201-10800	O-Ring G80 1B	1			
12	19000-30401	Piston	1			
13	19000-20502	Bushing	2			
14	19000-30403	Cover, Rod	1			
15	19000-30404	Retainer	1			
16	19000-30405	Cushion	1			
17	19000-30450	Plate	1			
18	19000-30406	Piston	1			
19	19000-30407	Tube	1			
20	19000-30409	Nut	1			
21	19000-30415	Spacer	1			
22	19000-30416	Cushion Ring	1			
23	14107-07515	Wear Ring	1			
24	13330-04030	Bushing	1			
25	11210-50608	Set Screw	1			
26	15600-01000	Nipple, Grease	2			

REDUCTION (Assy.)

Figure 47



ITEM	PARTS NUMBER	DESCRIPTION	QTY.	CHANGE	SERIAL #	REMARKS
1	19030-06700	Motor, Driving	2			
2	19030-04399	Seal kit	2			
3	19030-04301	Holder Assy.	2			
4	19030-04303	Backup Ring	2			
5	19030-04305	X-Ring	2			
6	19030-04308	Drive Gear	2			
7	11100-51060	Bolt M10X60	6			
8	19030-04320	Piece, Thrust	2			
9	19030-04321	Cover	2			
10	11100-50620	Bolt M6X20	20			
11	19030-04302	Flexing Seal	2			(95.5.01 密封件 - 1件)

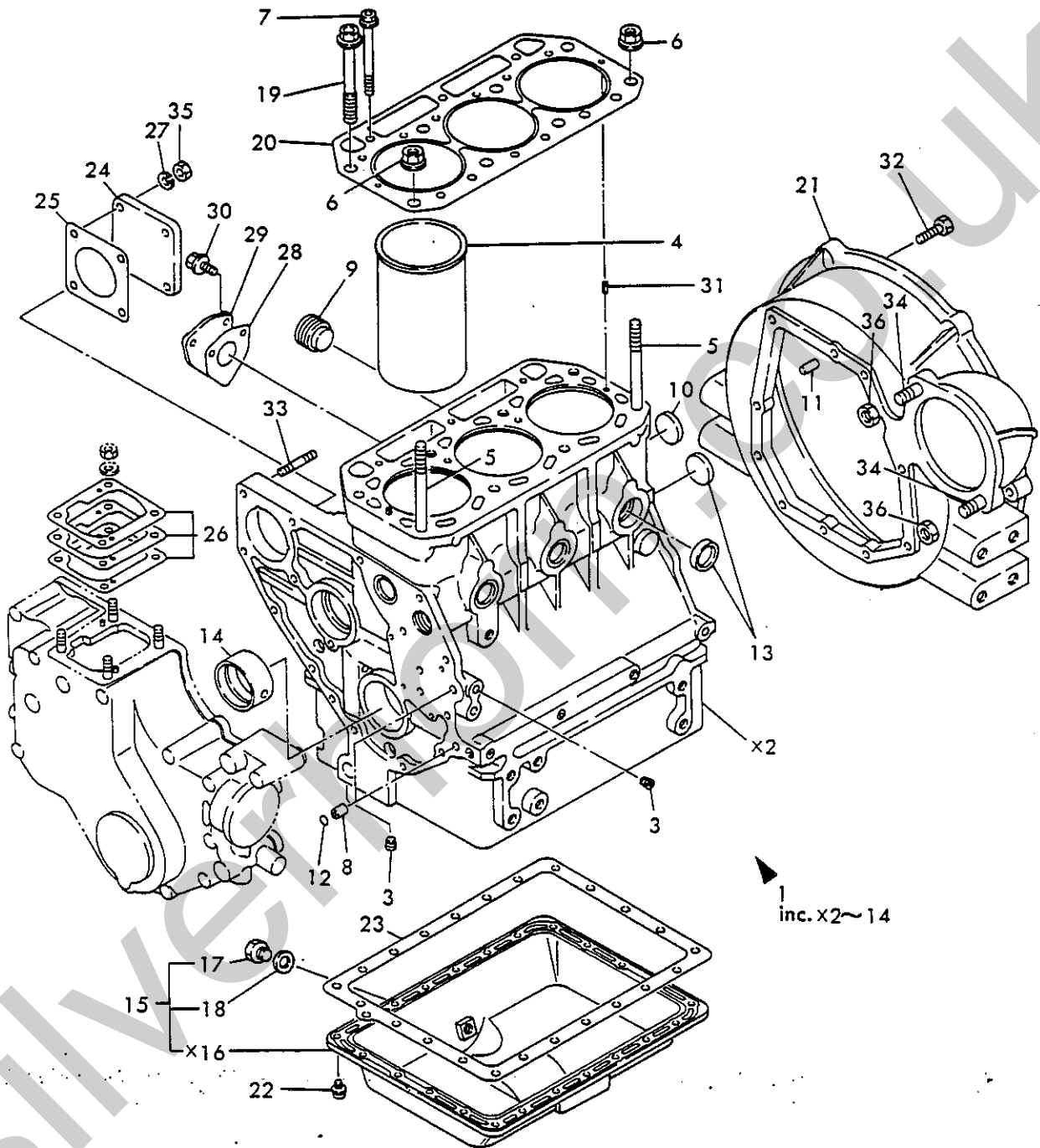
TB21

ENGINE PARTS CATALOG

TAKEUCHI MFG. Co., LTD.

Silverhorn.CO.UK

CYLINDER BLOCK & MAIN BEARING

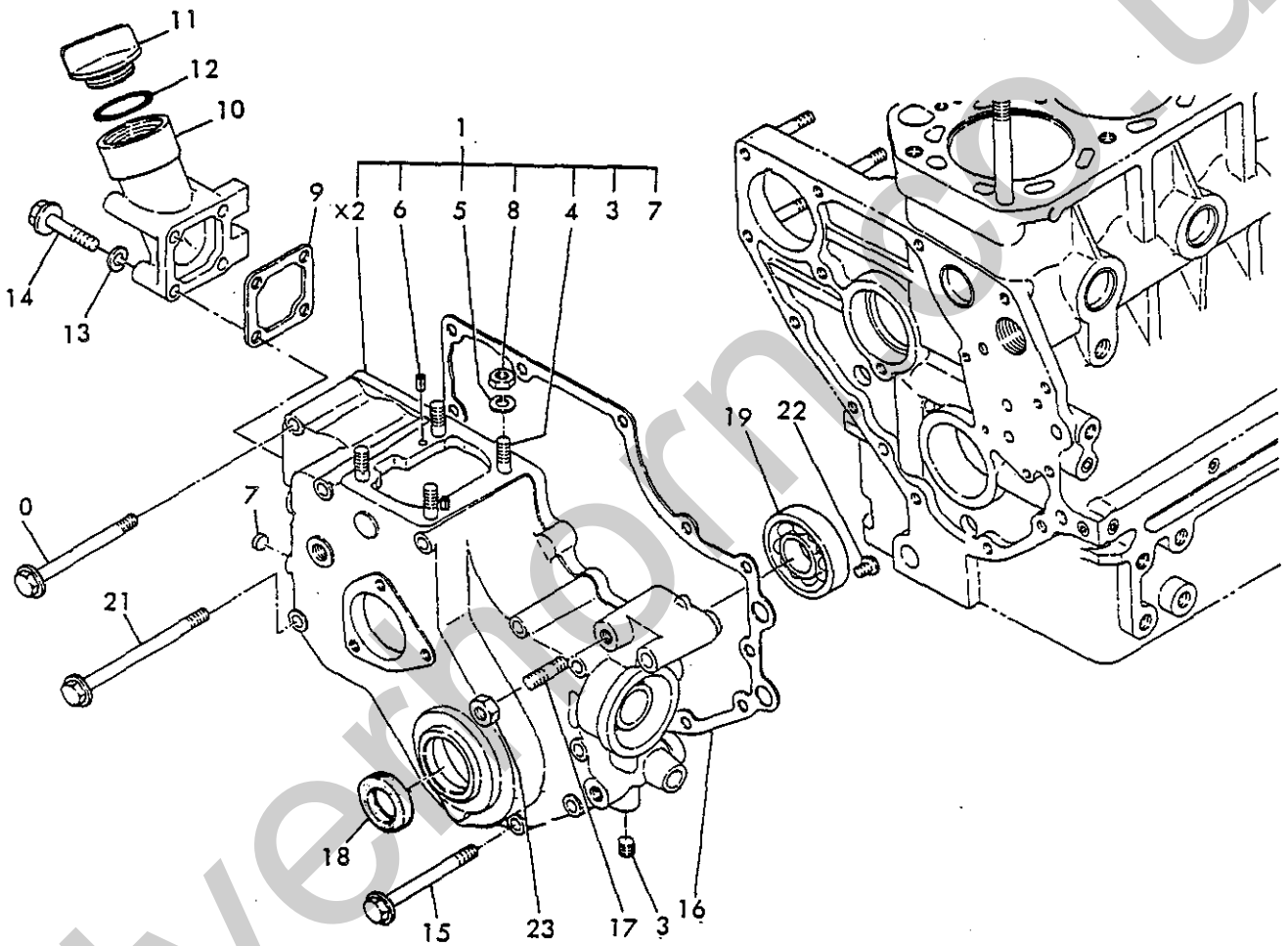


×印部品ハ単品販売致シマセン
 X-MARK PARTS : NOT SOLD SEPARATELY

CYLINDER BLOCK & MAIN BEARING (A)=3T75H-LTBS (D)=
 (B)= (E)=
 (C)= (F)=

REF.	LEV.	PART NO.	DESCRIPTION	QTY	I	P	U	A	R
				(A)(B)(C)(D)(E)(F)					
1	.	721551-01561	シリンダブロック	BLOCK ASSY, CYLINDER	1				
2	..	X 121551-01012	シリンダブロック	REFER TO 1	1				
3	..	124060-01050	プラグ	PLUG PT1/8	8				
4	..	121551-01100	ライナ	LINER, CYLINDER	3				
5	..	121450-01210	ヘッドスタッド(B)	STUD, CYL. HEAD	2				
6	..	121450-01220	ナット(ヘッドスタッド)	NUT, CYL HEAD	2				
7	..	129350-01230	ヘッドスタッド(C)	STUD, CYL. HEAD	3				
8	..	124085-01900	Oリングガイド	GUIDE, O-RING	2				
9	..	171051-01921	プラグ	PLUG	2				
10	..	121450-01990	プラグ30	PLUG 30	1				
11	..	22312-080200	平行ピン 8X20	PARALLEL PIN 8X20	2				
12	..	24311-000100	Oリング 1A P 10.0	O-RING 1A P-10.0	2				
13	..	27241-300000	プラグ30	PLUG 30	5				
14	..	*REF.61=5	メインベアリング	MAIN BEARING	1				
15	..	721551-01540	オイルパン	SUMP ASSY, LUB OIL	1				
16	..	X 121551-01700	オイルパン	REFER TO 15	1				
17	..	104200-55080	プラグ	PLUG	1				
18	..	43400-500450	パッキング	PACKING	1				
19	..	121550-01200	ヘッドボルト	BOLT, CYL. HEAD	6				
20	..	121550-01331	ヘッドガスケット	GASKET, CYL. HEAD	1				
21	..	121522-01600	マウンティングフランジ	FLANGE, MOUNTING	1				
22	..	121450-01710	ボルト(オイルパン)	BOLT	23				
23	..	121575-01750	パッキング(オイルパン)	GASKET, OIL PAN	1				
24	..	124240-01871	メクラフタ(HO-P)	COVER	1				
25	..	124240-01882	パッキング(HO-P)	GASKET	1				
26	..	121450-01951	シムセット	SHIM SET	1				
27	..	22217-080000	スプリングワッシャー 8	SPRING WASHER 8	4				
28	..	121520-01850	パッキング(ワイト)	GASKET	1				
29	..	121520-01860	メクラフタ	COVER	1				
30	..	26106-060142	ボルト M 6X 14	BOLT M 6X 14 PLATED	2				
31	..	22351-060012	スプリングピン 6.0AX 12	SPRING PIN 6X12	2				
32	..	26206-100252	ボルト 10X 25	BOLT M10X 25 PLATED	8				
33	..	26216-080222	ヘッドスタッド 8X 22	STUD M 8X 22 PLATED	4				
34	..	26216-120252	ヘッドスタッド 12X 25	STUD M12X 25 PLATED	2				
35	..	26716-080002	ナット 8	NUT M 8	4				
36	..	26716-120002	ナット 12	NUT M12	2				

GEAR HOUSING



×印部品ハ単品販売致シマセン
×-MARK PARTS : NOT SOLD SEPARATELY

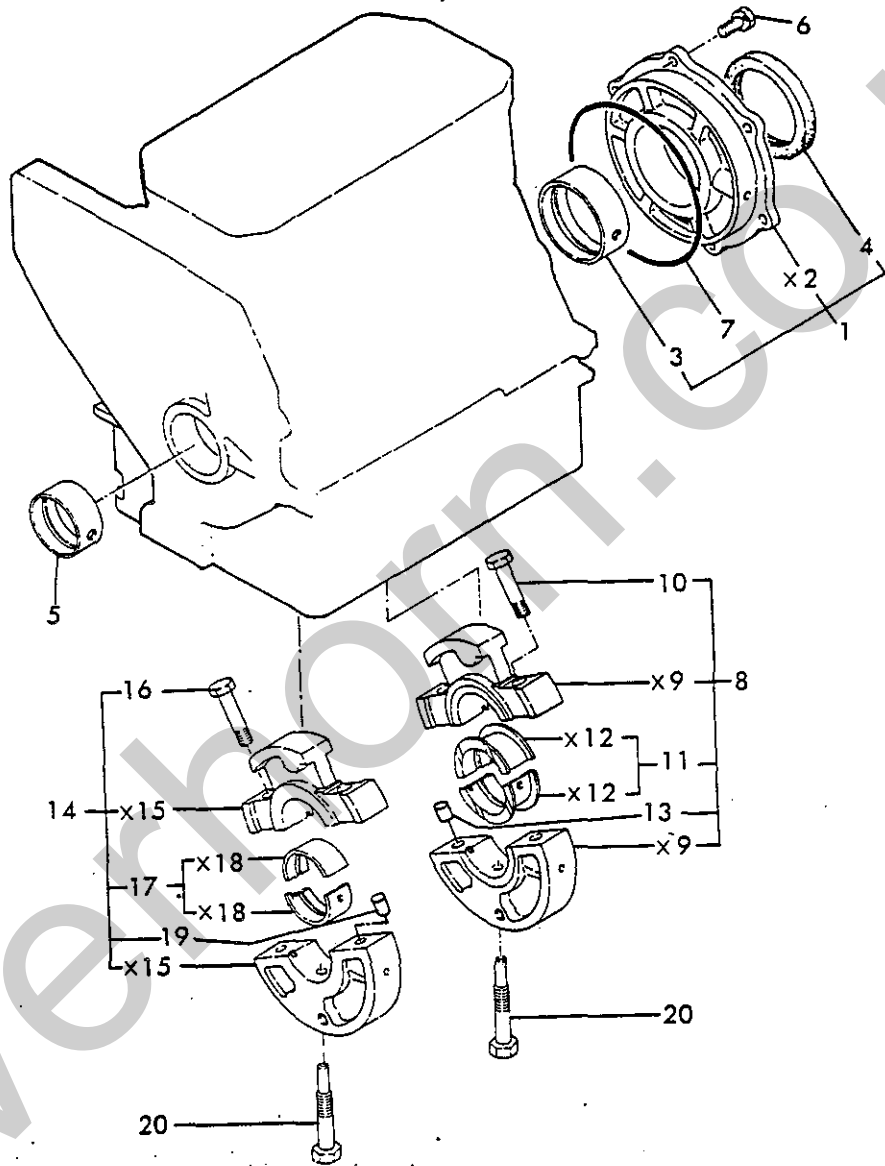
GEAR HOUSING

(A)=3T75H-LTBS (D)=
 (B)= (E)=
 (C)= (F)=

REF.	LEV.	PART NO.	777777	DESCRIPTION	---Q'TY(7777)---						I	P/U	A	R
					(A)	(B)	(C)	(D)	(E)	(F)				
1	.	729335-01612	777777 CMP	HOUSING ASSY, GEARS	1									
2	..	X 129301-01502	777777	GEAR CASE ASSY.	1									
3	..	124060-01050	777777	PLUG PT1/8	1									
4	..	121450-01560	777777 8X22	STUD M 8X22	4									
5	..	22217-080000	777777 8	SPRING WASHER 8	4									
6	..	22351-040010	777777 4.0AX 10	SPRING PIN 4X10	2									
7	..	121085-01890	777777	PLUG	1									
8	..	26716-080002	777777 8	NUT M 8	4									
9	.	121450-01531	777777 (777777)	GASKET, COVER	1									
10	.	129327-01550	777777 (777777)	COVER, CYL BLOCK	1									
11	.	124160-01751	777777 (777777)	CAP, LUB.OIL SUPPLY	1									
12	.	121420-01760	777777	O-RING	1									
13	.	22217-060000	777777 6	SPRING WASHER 6	4									
14	.	26106-060402	777777 6X 40	BOLT M 6X 40 PLATED	2									
15	.	26106-080852	777777 8X 85	BOLT M 8X 85 PLATED	7									
16	.	121575-01510	777777 (777777)	GASKET, GEAR CASE	1									
17	.	121450-01570	777777	STUD	1									
18	.	121450-01801	777777 TC25408	SEAL TC25 40 8, OIL	1									
19	.	24101-063050	777777 6305	BALL BEARING	1									
20	.	26106-080752	777777 8X 75	BOLT M 8X 75 PLATED	2									
21	.	26106-081152	777777 8X115	BOLT M 8X115 PLATED	3									
22	.	26587-080102	777777 (+777777 8X10)	SCREW M 8X 10	1									
23	.	26706-100002	777777 10	NUT M10	1									

Silverhorn.co.uk

MAIN BEARING HOUSING



×印部品ハ単品販売致シマセン
 ×-MARK PARTS : NOT SOLD SEPARATELY

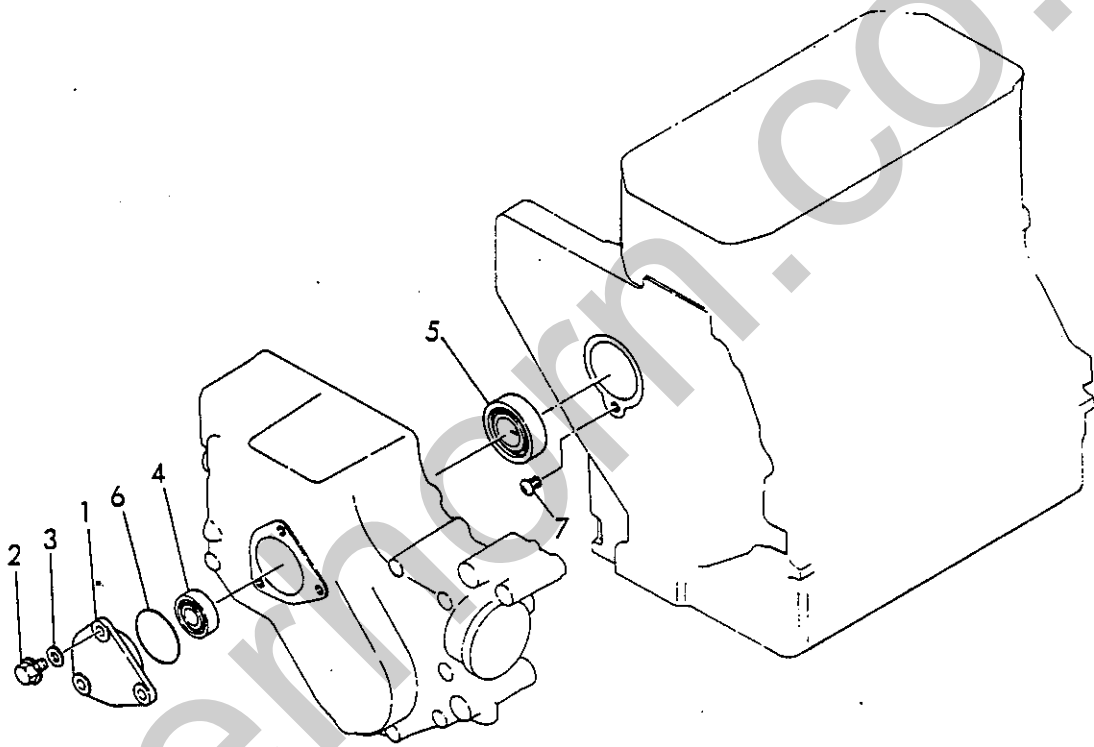
MAIN REARING HOUSING

(A)=3T75H-LTBS (D)=
 (B)= (E)=
 (C)= (F)=

REF.	LEV.	PART NO.	DESCRIPTION	QTY (A) (B) (C) (D) (E) (F)						
1	..	721550-02500	メタルハウジング COMP	HOUSING ASSY	1					
2	.. X	121550-02010	メタルハウジング	HOUSING, MAIN BEARING	1					
3	..	121550-02110	メインベアリング	MAIN BEARING	1					
4	..	121551-02220	オイルシール	SEAL, OIL	1					
5	..	121520-02100	メインベアリング	MAIN BEARING	1					
6	..	26013-080202	ボルト (M8) 8X 20	BOLT M 8X 20	6					
7	..	24341-001350	Oリング 1A S135.0	O-RING 1A S-135.0	1					
8	..	721550-02611	センターメタルハウジング ASSY, '83	HOUSING ASSY	1					
9	.. X	121550-02021	センターメタルハウジング 1	HOUSING 1, BEARING	1					
10	..	129350-02070	ボルト	BOLT	2					
11	..	721550-02800	メインベアリング センター	MAIN BEARING	1					
12	.. X	121550-02120	メインベアリング センター	MAIN BEARING	2					
13	..	129350-02050	パイプ	PIPE	2					
14	..	721550-02621	センターメタルハウジング ASSY, OFW, '83	HOUSING ASSY	1					
15	.. X	121550-02031	センターメタルハウジング 2	HOUSING 2, BEARING	1					
16	..	129350-02070	ボルト	BOLT	2					
17	..	721550-02810	メインベアリング センター	MAIN BEARING	1					
18	.. X	121550-02130	メインベアリング #2.0	MAIN BEARING 2.0	2					
19	..	129350-02050	パイプ	PIPE	2					
20	..	121550-02300	センターメタルハウジング用ボルト	BOLT	2					

Silverhorn.CO.UK

CAMSHAFT BEARING



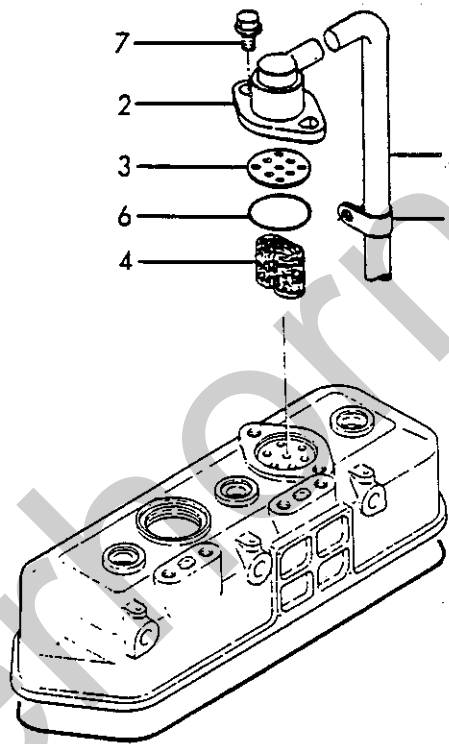
CAMSHAFT BEARING

(A)=3T75H-LTBS (D)=
 (B)= (E)=
 (C)= (F)=

REF.	LEV.	PART NO.	DESCRIPTION	QTY	(A)	(B)	(C)	(D)	(E)	(F)
1	.	129301-02801	HOUSING	1						
2	.	121456-91981	BOLT M 8X 16	3						
3	.	23414-080000	PACKING 8	3						
4	.	24101-062024	BALL BEARING	1						
5	.	24101-062054	BALL BEARING	1						
6	.	24341-000460	O-RING 1A S-46.0	1						
7	.	26587-080102	SCREW M 8X 10	1						

Silverhorn.CO.UK

BREATHER

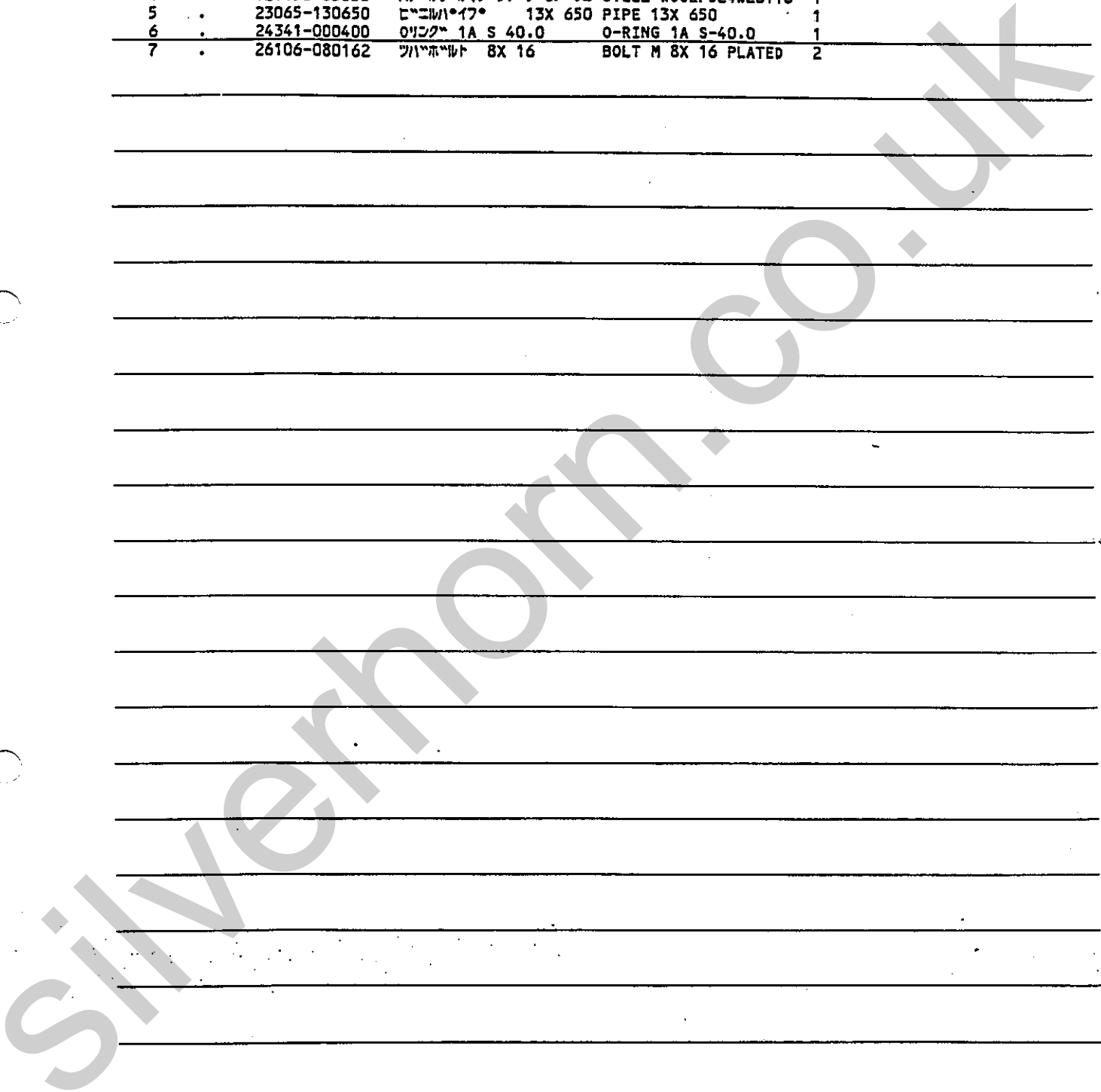


Silverline.co.uk

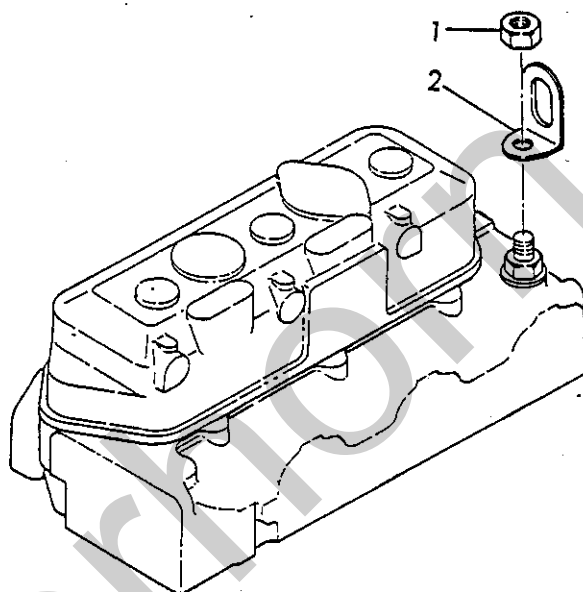
BREATHER

(A)=3T75H-LTBS (D)=
 (B)= (E)=
 (C)= (F)=

REF.	LEV.	PART NO.	DESCRIPTION	Q'TY (A) (B) (C) (D) (E) (F)
1	.	124160-01650	CLAMP	1
2	.	121450-03012	BODE, BREATHER	1
3	.	121450-03020	BODE, BREATHER	1
4	.	121450-03030	STEEL WOOLPD24W28T18	1
5	.	23065-130650	PIPE 13X 650	1
6	.	24341-000400	O-RING 1A S-40.0	1
7	.	26106-080162	BOLT M 8X 16 PLATED	2

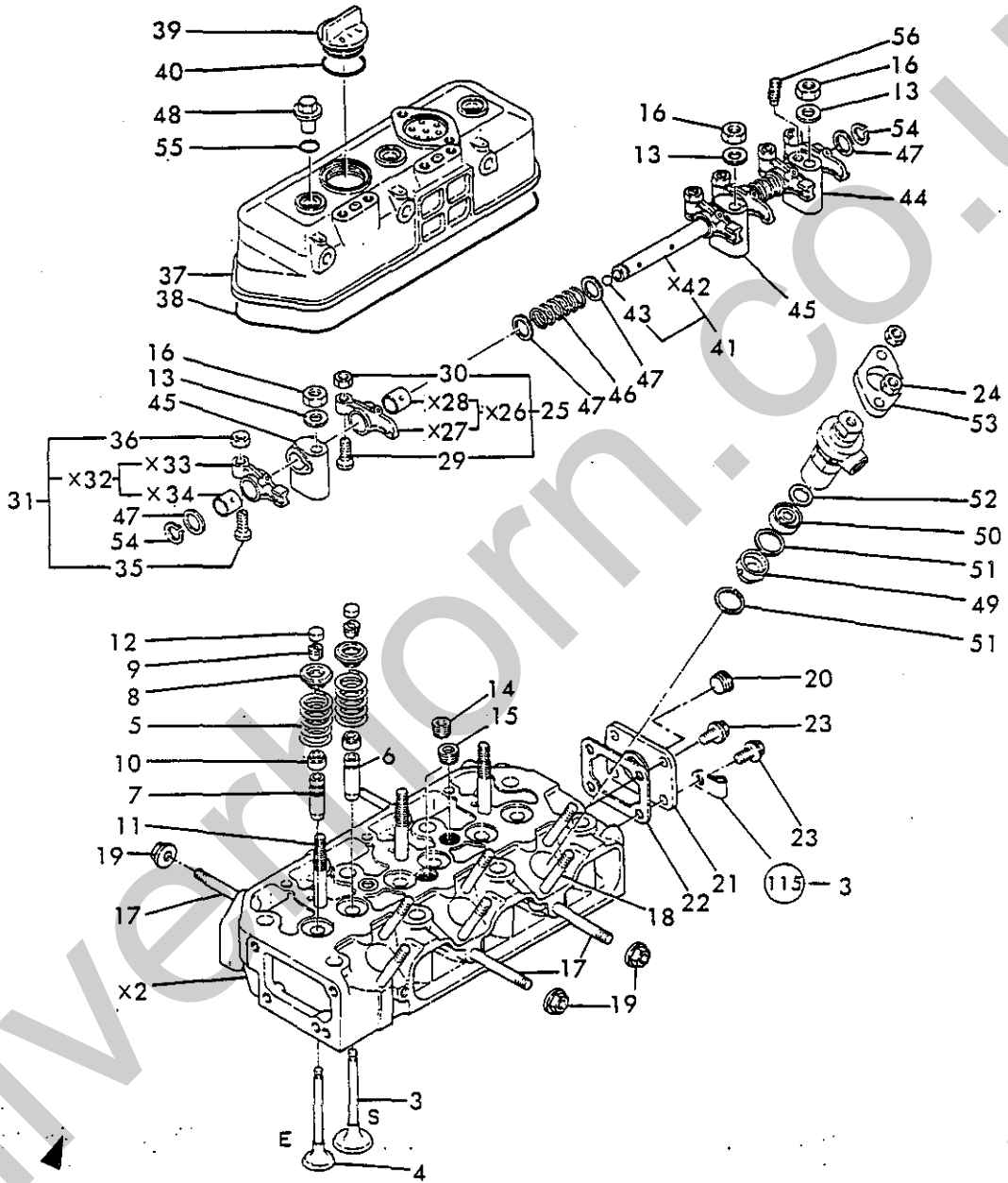


ENGINE LIFTER



Silverline.co.uk

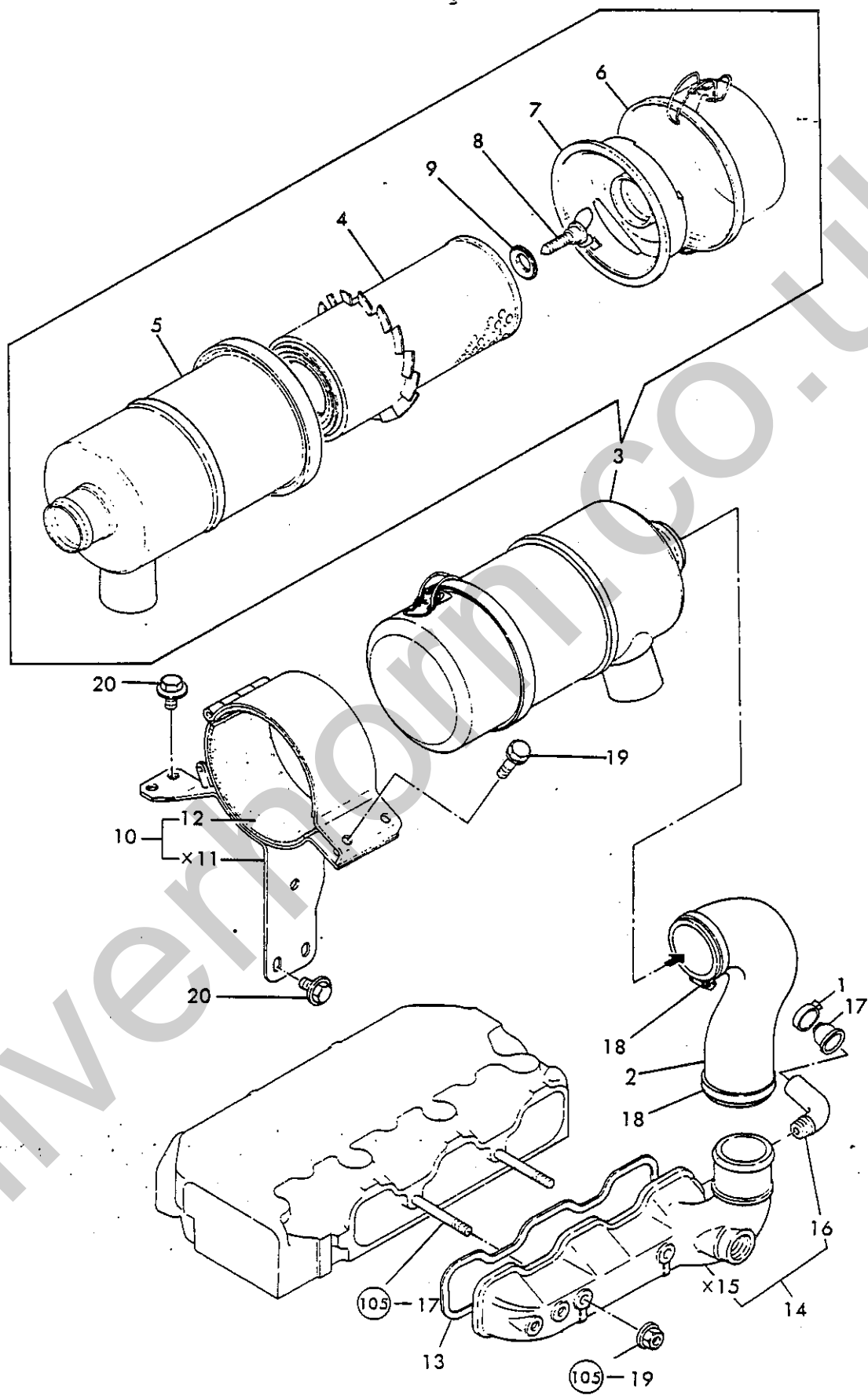
CYLINDER HEAD



1 inc.X2~19

X 印部品ハ単品販売致シマセン
 X-MARK PARTS : NOT SOLD SEPARATELY

AIR CLEANER

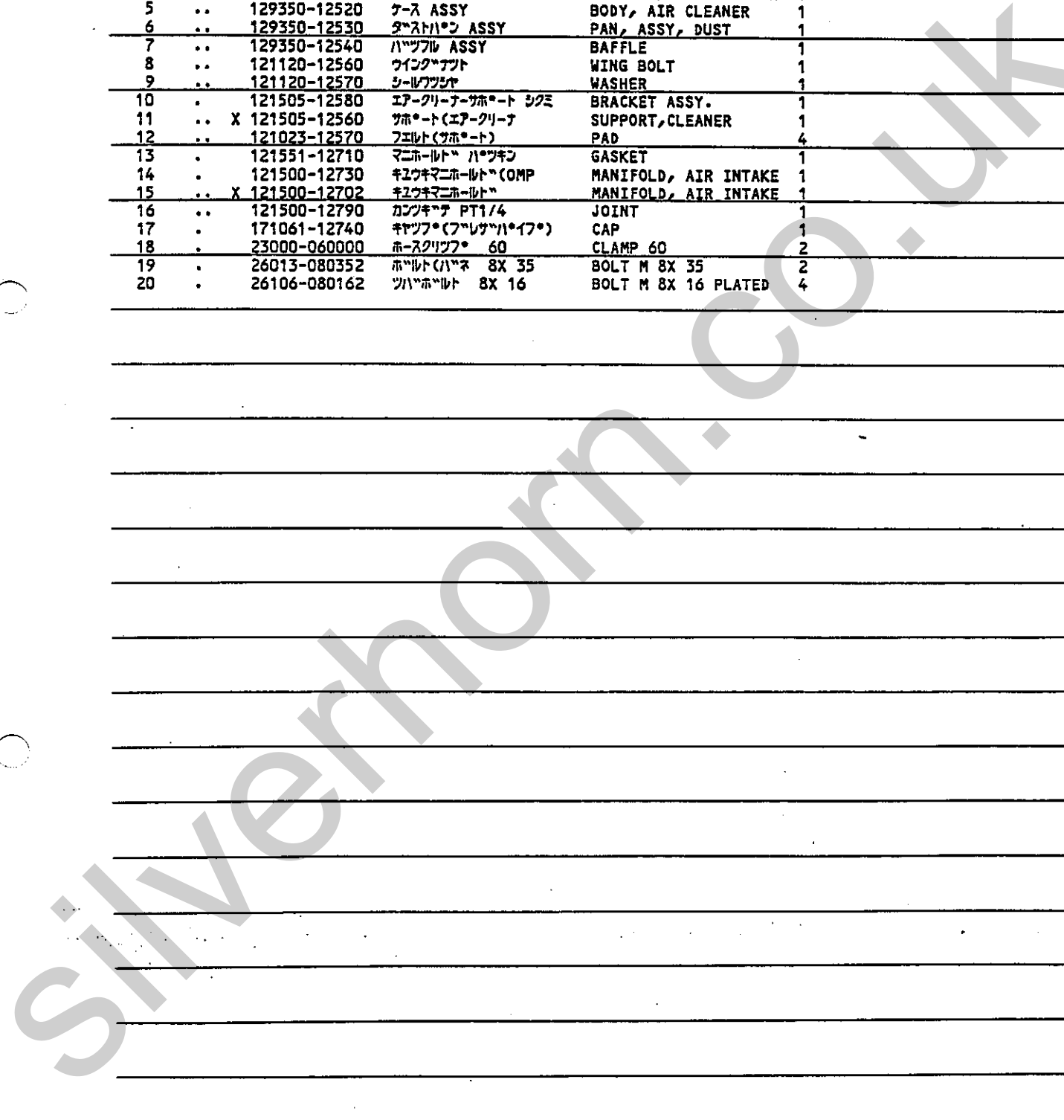


×印部品ハ単品販売致シマセン
 ×MARK PARTS : NOT SOLD SEPARATELY

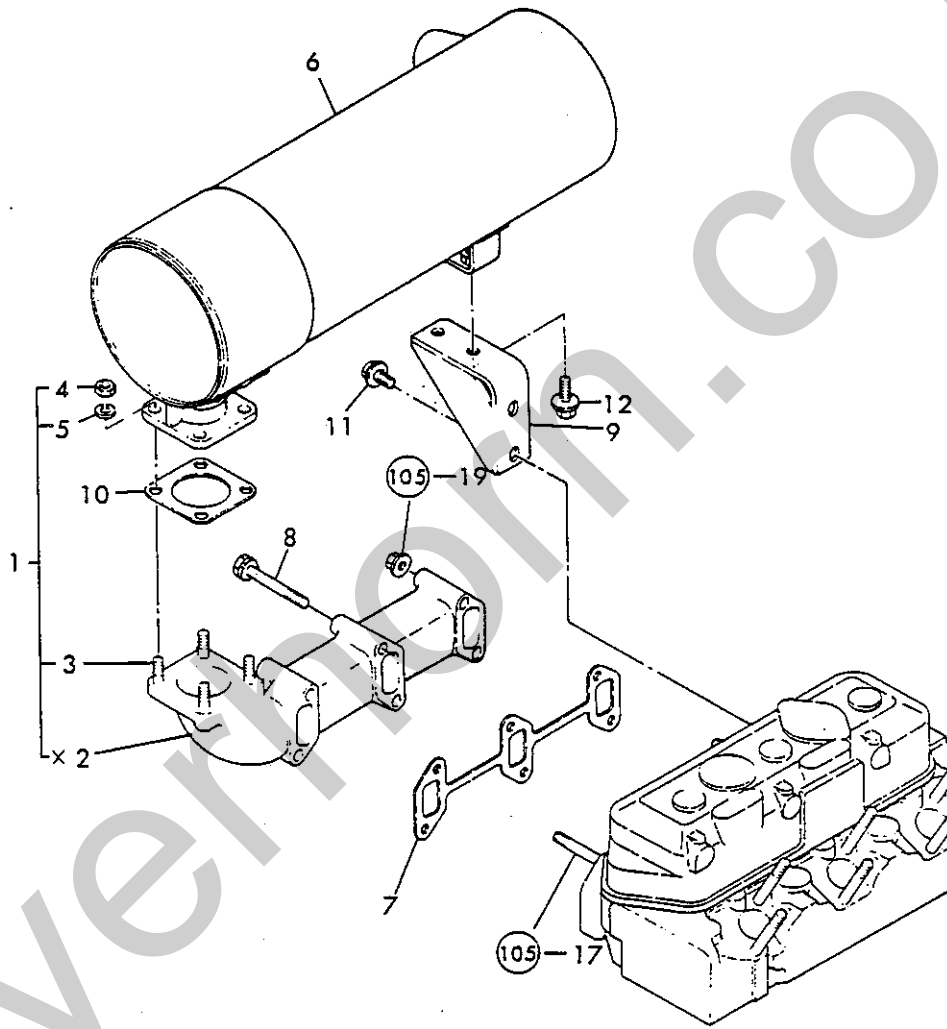
AIR CLEANER

(A)=3T75H-LTBS (D)=
 (B)= (E)=
 (C)= (F)=

REF.	LEV.	PART NO.	DESCRIPTION	Q'TY (COST)						I	P	U	A	R
				(A)	(B)	(C)	(D)	(E)	(F)					
1	.	171008-03990	ホースクリップ (7.6mm)	CLAMP 25	1									
2	.	121505-12210	エアホース	PIPE, AIR INTAKE	1									
3	.	129350-12500	エアクリーナ	CLEANER, AIR	1									
4	..	124756-12510	12475612511	ELEMENT, AIR CLEANER	1									
5	..	129350-12520	ケース ASSY	BODY, AIR CLEANER	1									
6	..	129350-12530	ダストパネ ASSY	PAN, ASSY, DUST	1									
7	..	129350-12540	バツフル ASSY	BAFFLE	1									
8	..	121120-12560	ウイングボルト	WING BOLT	1									
9	..	121120-12570	シールワッシャ	WASHER	1									
10	.	121505-12580	エアクリーナサポート ショミ	BRACKET ASSY.	1									
11	.. X	121505-12560	サポート (エアクリーナ)	SUPPORT, CLEANER	1									
12	..	121023-12570	パッド (サポート)	PAD	4									
13	.	121551-12710	マニホールド ハツキン	GASKET	1									
14	.	121500-12730	キユキマニホールド (OMP)	MANIFOLD, AIR INTAKE	1									
15	.. X	121500-12702	キユキマニホールド	MANIFOLD, AIR INTAKE	1									
16	..	121500-12790	カンクキチ PT1/4	JOINT	1									
17	.	171061-12740	キャップ (7.6mm)	CAP	1									
18	.	23000-060000	ホースクリップ 60	CLAMP 60	2									
19	.	26013-080352	ボルト (ハネ) 8X 35	BOLT M 8X 35	2									
20	.	26106-080162	ツハボルト 8X 16	BOLT M 8X 16 PLATED	4									



EXHAUST SILENCER

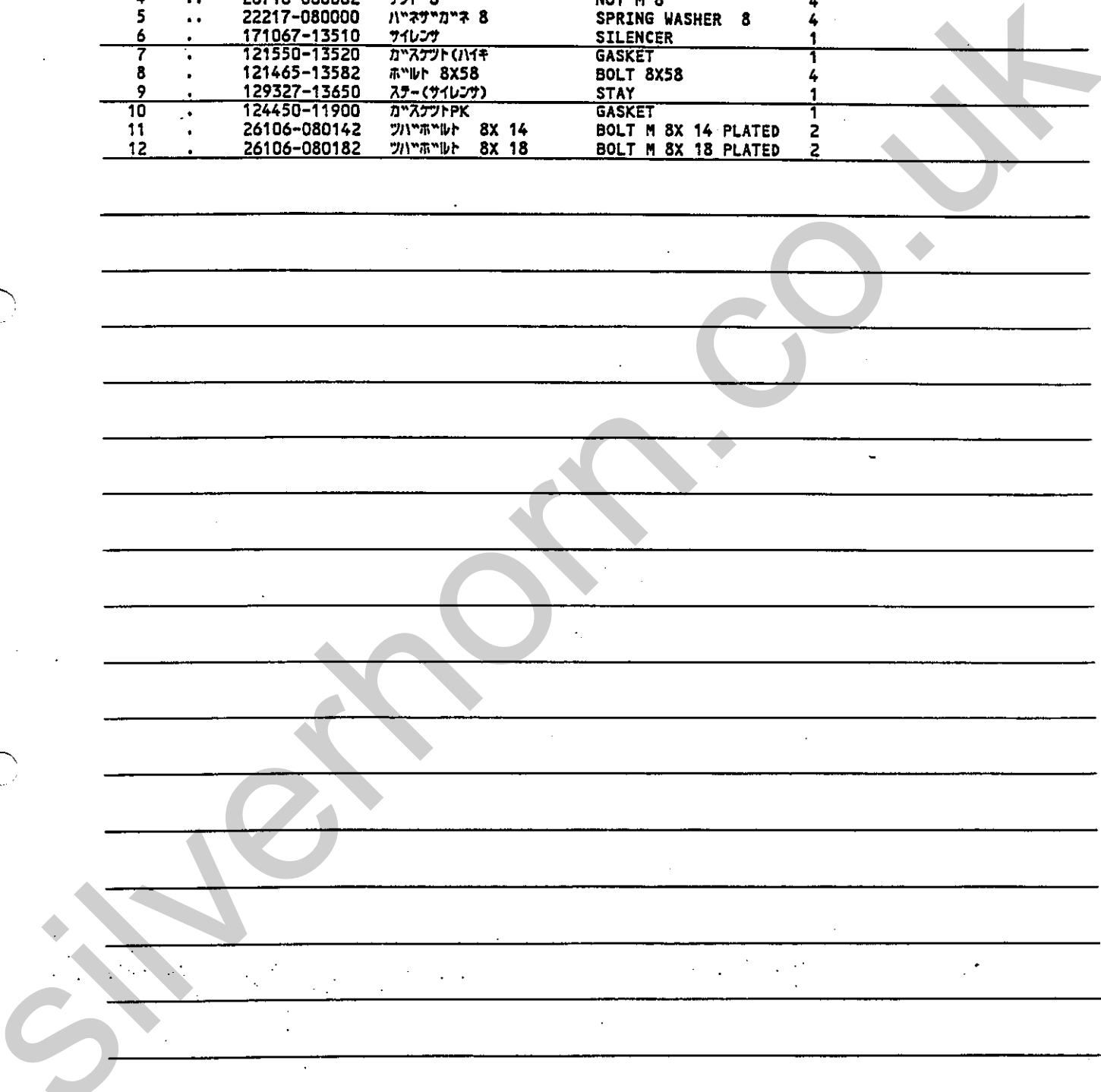


X 印部品ハ単品販売致シマセン
X-MARK PARTS : NOT SOLD SEPARATELY

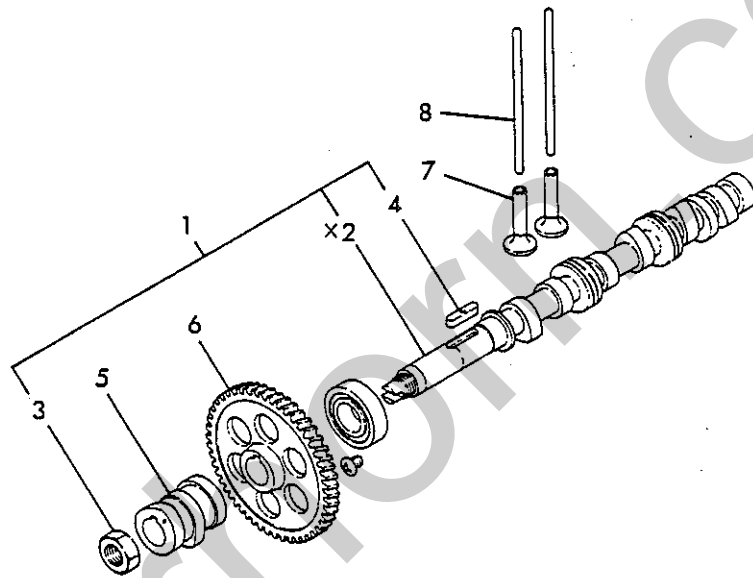
EXHAUST SILENCER

(A)=3T75H-LTBS (D)=
 (B)= (E)=
 (C)= (F)=

REF.	LEV.	PART NO.	DESCRIPTION	Q'TY (A)(B)(C)(D)(E)(F)	I	P	U	A	R
1	.	721527-13500	ハイキマニホ-ルト ASY	MANIFOLD ASSY, EXH.	1				
2	.. X	121527-13510	ハイキマニホ-ルト	MANIFOLD, EXH.	1				
3	..	26216-080222	ワエコミボ-ルト 8X 22	STUD M 8X 22 PLATED	4				
4	..	26716-080002	ナツト 8	NUT M 8	4				
5	..	22217-080000	ハ-ネサ-カ-ネ 8	SPRING WASHER 8	4				
6	.	171067-13510	サイレンサ	SILENCER	1				
7	.	121550-13520	カ-スナツト(ハイキ	GASKET	1				
8	.	121465-13582	ボ-ルト 8X58	BOLT 8X58	4				
9	.	129327-13650	スタ- (サイレンサ)	STAY	1				
10	.	124450-11900	カ-スナツトPK	GASKET	1				
11	.	26106-080142	ツハ-ボ-ルト 8X 14	BOLT M 8X 14 PLATED	2				
12	.	26106-080182	ツハ-ボ-ルト 8X 18	BOLT M 8X 18 PLATED	2				



CAMSHAFT



X 印部品ハ単品販売致シマセン
X-MARK PARTS : NOT SOLD SEPARATELY.

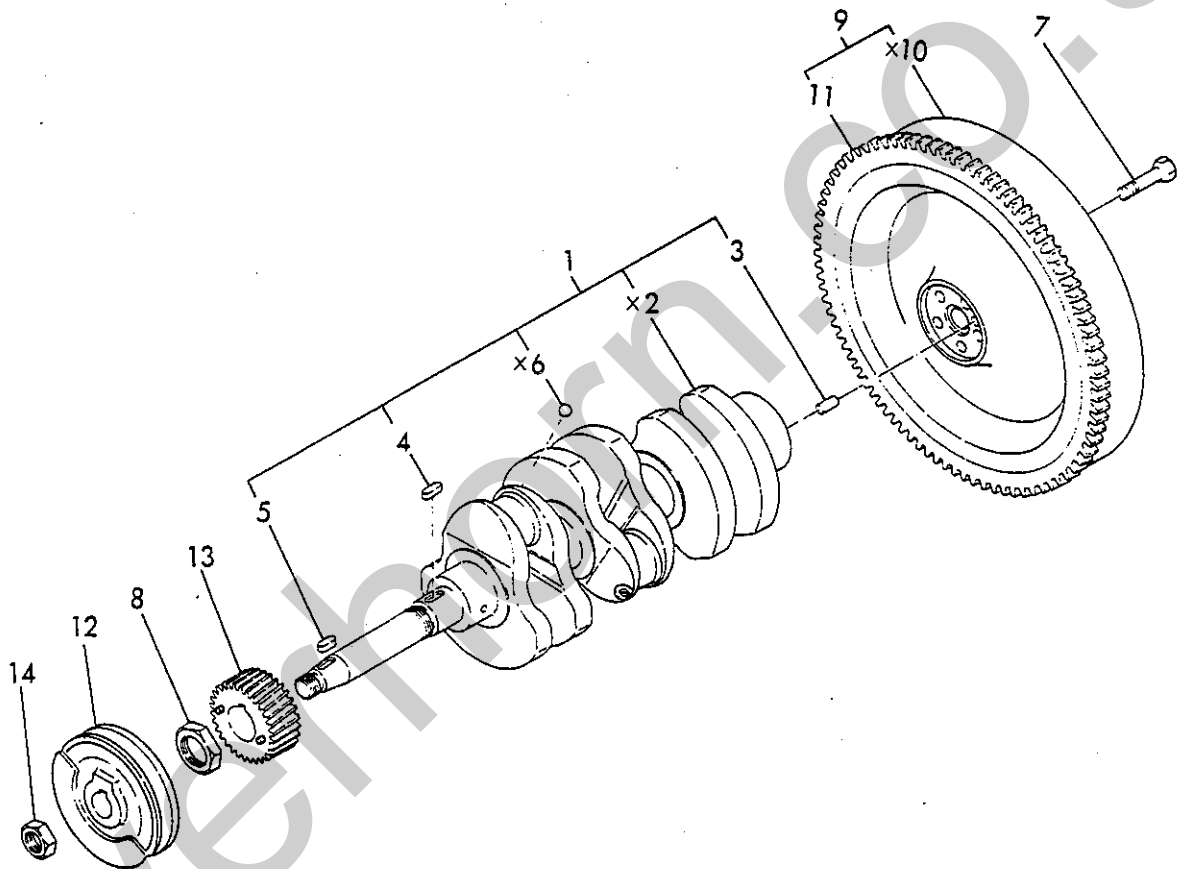
CAMSHAFT

(A)=3T75H-LTBS (D)=
 (B)= (E)=
 (C)= (F)=

ミタシ REF.	レベル LEV.	部品番号 PART NO.	名称 メ	DESCRIPTION	---Q'TY(コケ)---						I	P	U	A	R
					(A)	(B)	(C)	(D)	(E)	(F)					
1	.	721550-14580	カムシャフトアッシー	CAMSHAFT ASSY	1										
2	..	X 121550-14010	カムシャフト	CAMSHAFT	1										
3	..	121450-14120	ナット(カムシャフト)	NUT	1										
4	..	22512-070300	キー 7X30	KEY 7X 30	1										
5	.	121450-14090	カム	CAM, FUEL	1										
6	.	129530-14100	カムギア	GEAR, CAMSHAFT	1										
7	.	104200-14200	タペット	TAPPET	6										
8	.	121550-14400	カムシャフトロッド	ROD, PUSH	6										

Silverhorn.CO.UK

CRANKSHAFT



×印部品ハ単品販売致シマセン
×MARK PARTS : NOT SOLD SEPARATELY

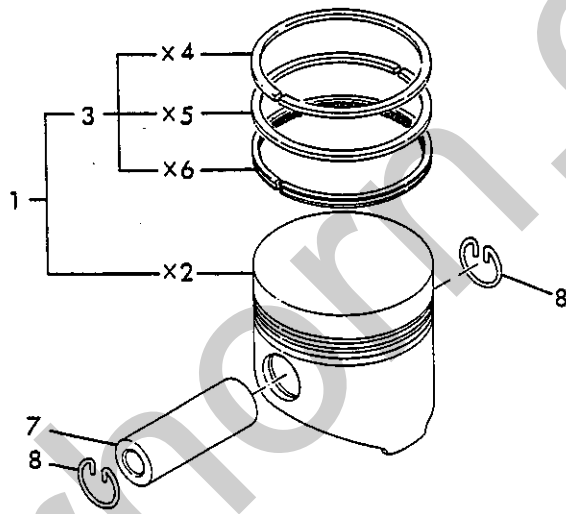
CRANKSHAFT

(A)=3T75H-LTBS (D)=
 (B)= (E)=
 (C)= (F)=

REF.	LEV.	PART NO.	DESCRIPTION	Q'TY (A)(B)(C)(D)(E)(F)	I	P	U	A	R
1	.	721500-21700	クランクシャフトCMP	CRANKSHAFT ASSY	1				
2	.. X	121500-21010	クランクシャフト	CRANKSHAFT	1				
3	..	22312-080160	平行ピン 8X16	PARALLEL PIN 8X16	1				
4	..	22512-070180	キー 7X18	KEY 7X 18	1				
5	..	22512-070180	キー 7X18	KEY 7X 18	1				
6	.. X	24190-080001	ボール 1/4	BALL 1/4	3				
7	.	105225-21501	ボルト(フライホイール)	BOLT, FLYWHEEL	5				
8	.	121450-21541	ナット(クランクシャフトギア)	NUT, CRANK SHAFT GEAR	1				
9	.	121522-21591	フライホイールCMP	FLYWHEEL W/RING GEAR	1				
10	.. X	121522-21401	フライホイール	FLYWHEEL	1				
11	..	104211-21600	リングギア	GEAR, RING	1				
12	.	121522-21651	Vプーリー	V-PULLEY	1				
13	.	129350-21200	クランクギア	GEAR, CRANK	1				
14	.	26776-180002	トメナット(ボス) 18	LOCK NUT M18 PLATED	1				

Silverhorn.CO.UK

PISTON



×印部品ハ単品販売致シマセン
×-MARK PARTS : NOT SOLD SEPARATELY

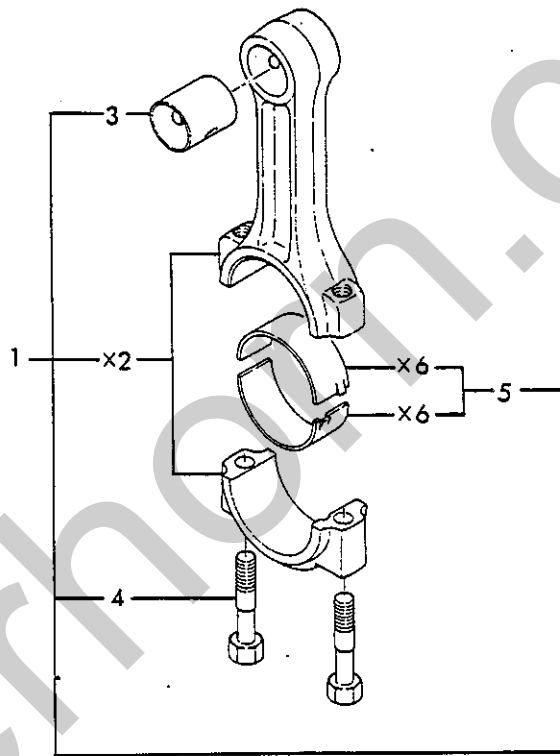
PISTON

(A)=3T75H-LTBS (D)=
 (B)= (E)=
 (C)= (F)=

ミタツ REF.	レベル LEV.	7*ヒシハツキ PART NO.	7*ヒシ メ	DESCRIPTION	----Q'TY(コズ)---- (A)(B)(C)(D)(E)(F)	I	P	U	A	R
1	.	121550-22090	ピ*ストン CMP	PISTON W/RINGS	3					
2	.. X	121550-22020	ピ*ストン		3					
3	..	705311-22500	ピ*ストンリ*ング*SET	RING SET	3					
4	... X	104200-22110	ピ*ストンリ*ング* 1	RING 1 COMPRESSION	3					
5	... X	104200-22100	ピ*ストンリ*ング* 2	RING 2 COMPRESSION	3					
6	... X	105311-22200	オイルリ*ング*	RING,OIL CONTROL	3					
7	.	104200-22300	ピ*ストンピ*ン	PIN, PISTON	3					
8	.	172100-22400	ピ*ストンピ*ン トメ	CIRCLIP	6					

Silverhorn.CO.UK

CONNECTING ROD

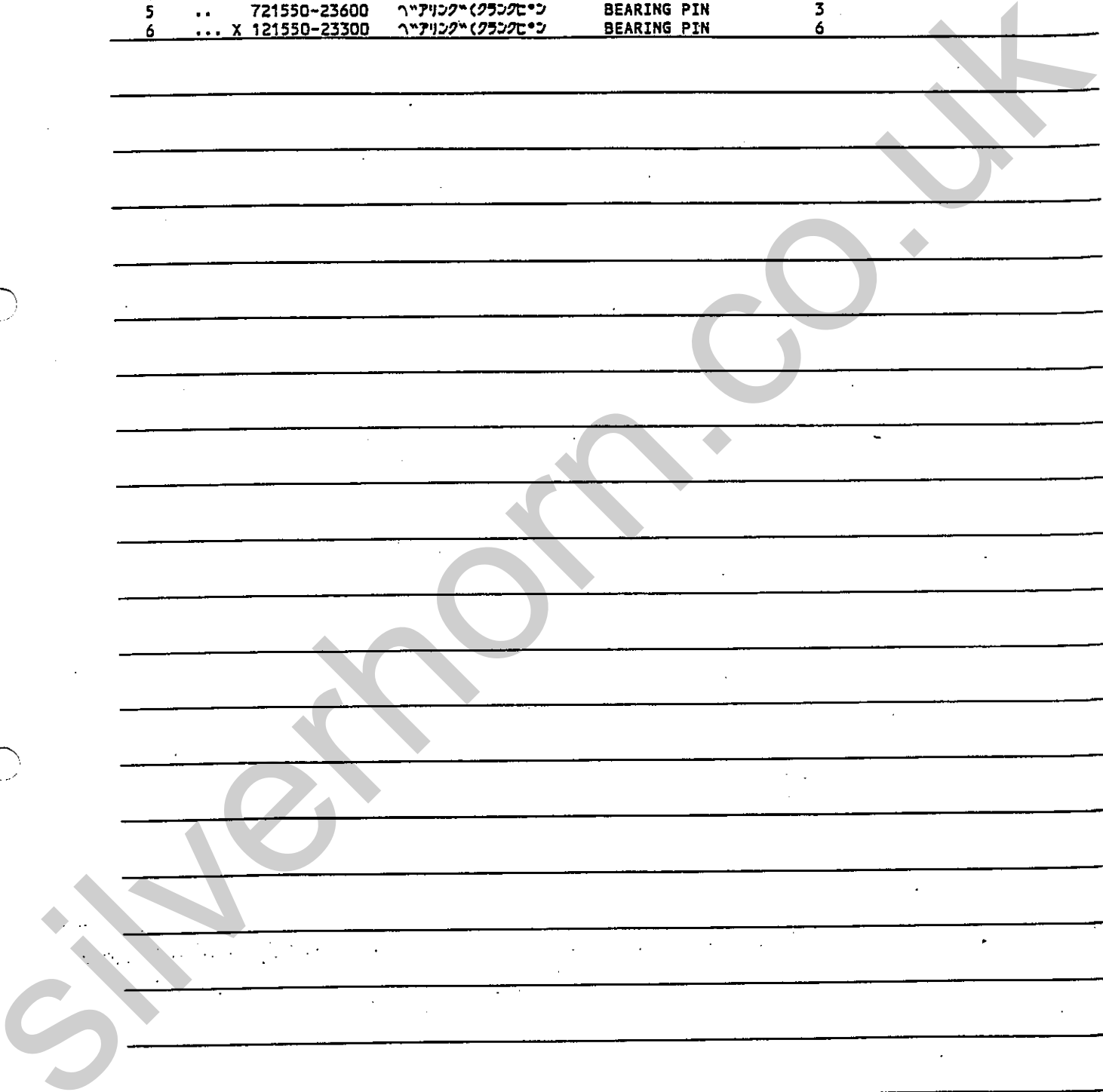


×印部品ハ単品販売致シマセン
X-MARK PARTS : NOT SOLD SEPARATELY

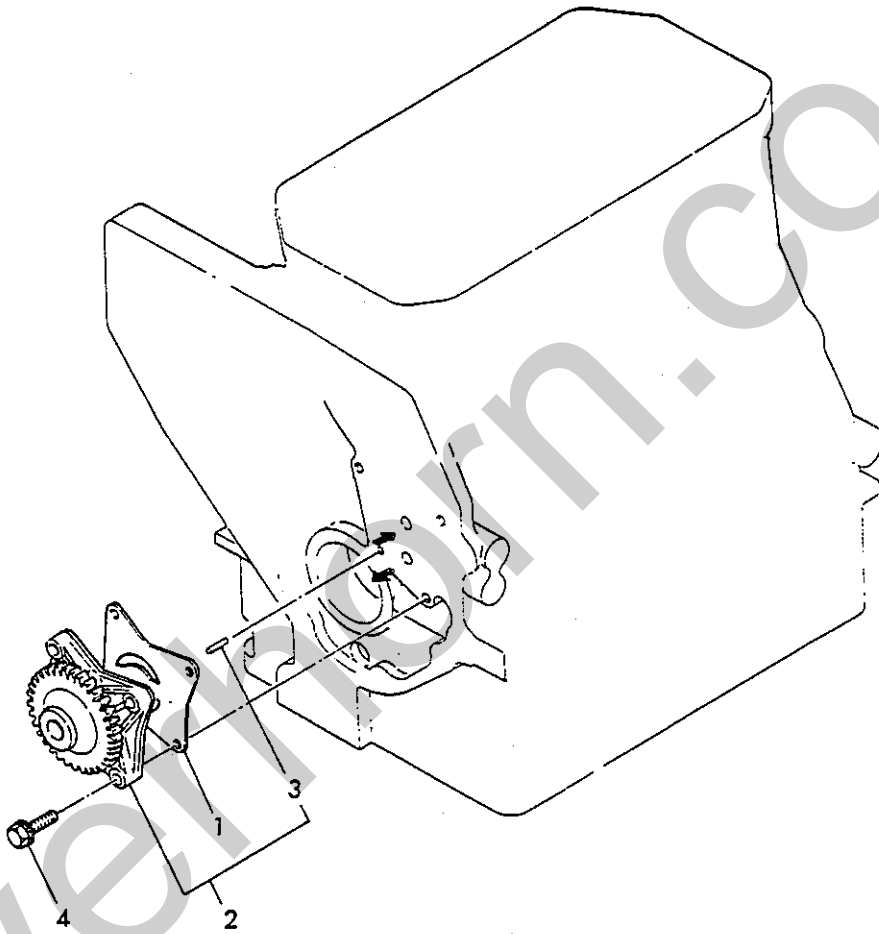
CONNECTING ROD

(A)=3T75H-LTBS (D)=
 (B)= (E)=
 (C)= (F)=

REF.	LEV.	PART NO.	DESCRIPTION	QTY						I	P	U	A	R
				(A)	(B)	(C)	(D)	(E)	(F)					
1	.	721550-23100	ROD ASSY, CONNECTING	3										
2	.. X	121550-23010	ROD, CONNECTING	3										
3	..	124060-23100	BUSH, PISTON PIN	3										
4	..	121550-23200	BOLT, ROD	6										
5	..	721550-23600	BEARING PIN	3										
6	... X	121550-23300	BEARING PIN	6										



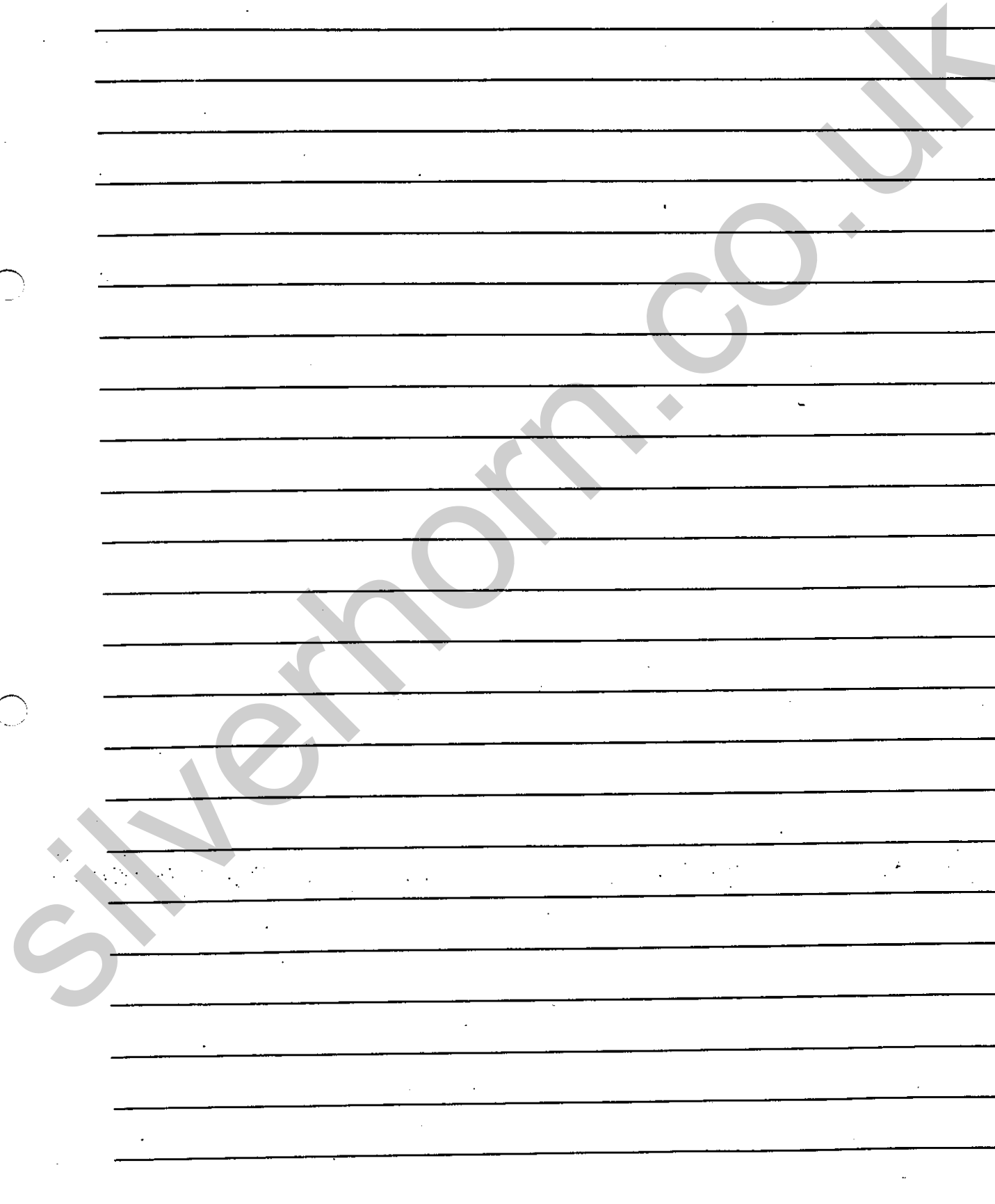
LUBRICATING OIL PUMP



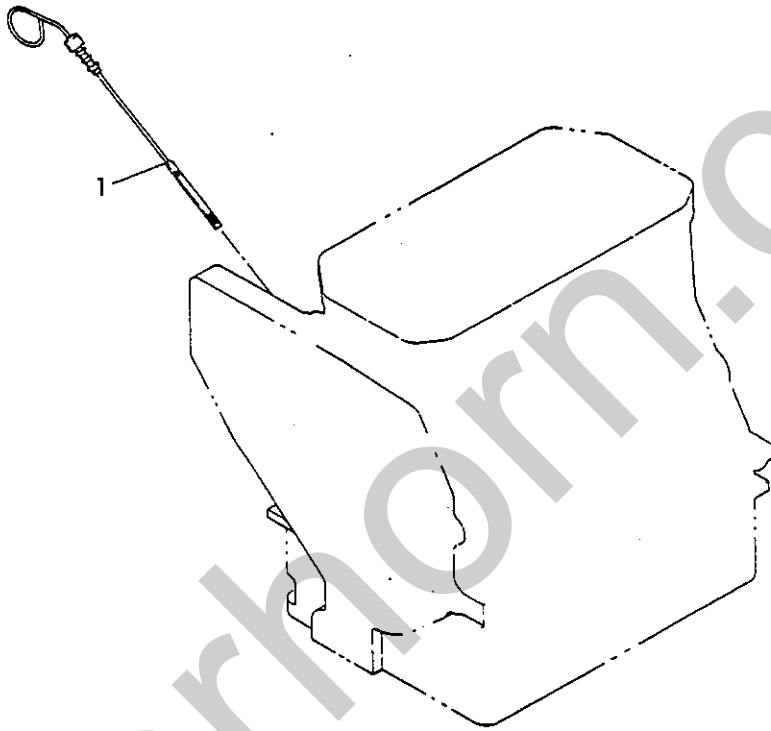
LUBRICATING OIL PUMP

(A)=3T75H-LTBS (D)=
 (B)= (E)=
 (C)= (F)=

REF.	LEV.	PART NO.	DESCRIPTION	Q'TY (A) (B) (C) (D) (E) (F)	I P/U A R
1	.	121450-32021	GASKET	1	
2	.	129350-32090	PUMP ASSY, LUB OIL	1	
3	..	121450-32050	PIN	1	
4	.	26013-060222	BOLT M 6X 22	3	



DIPSTICK



Silverhorn.CO.UK

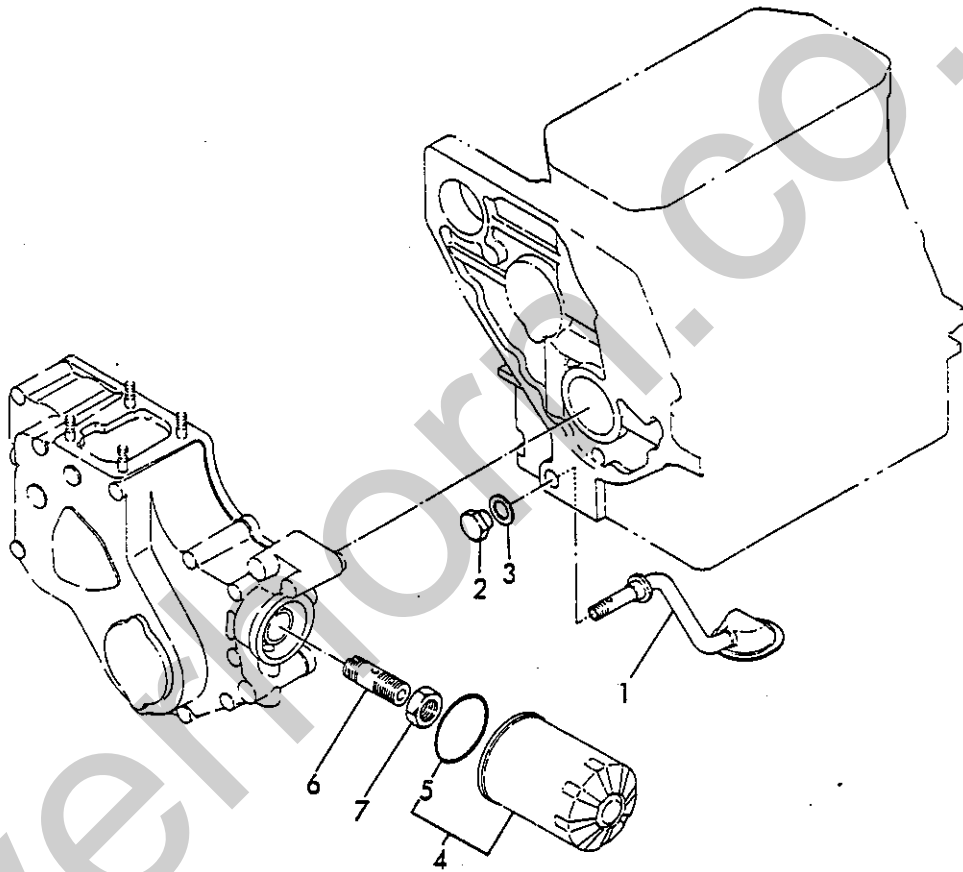
DIPSTICK

(A)=3T75H-LTBS (D)=
(B)= (E)=
(C)= (F)=

REF.	LEV.	PART NO.	DESCRIPTION	QTY (A)(B)(C)(D)(E)(F)	I P/U A R
1	.	121551-34800	DIPSTICK, LUB. OIL	1	

Silverhorn.CO.UK

LUB. OIL FILTER



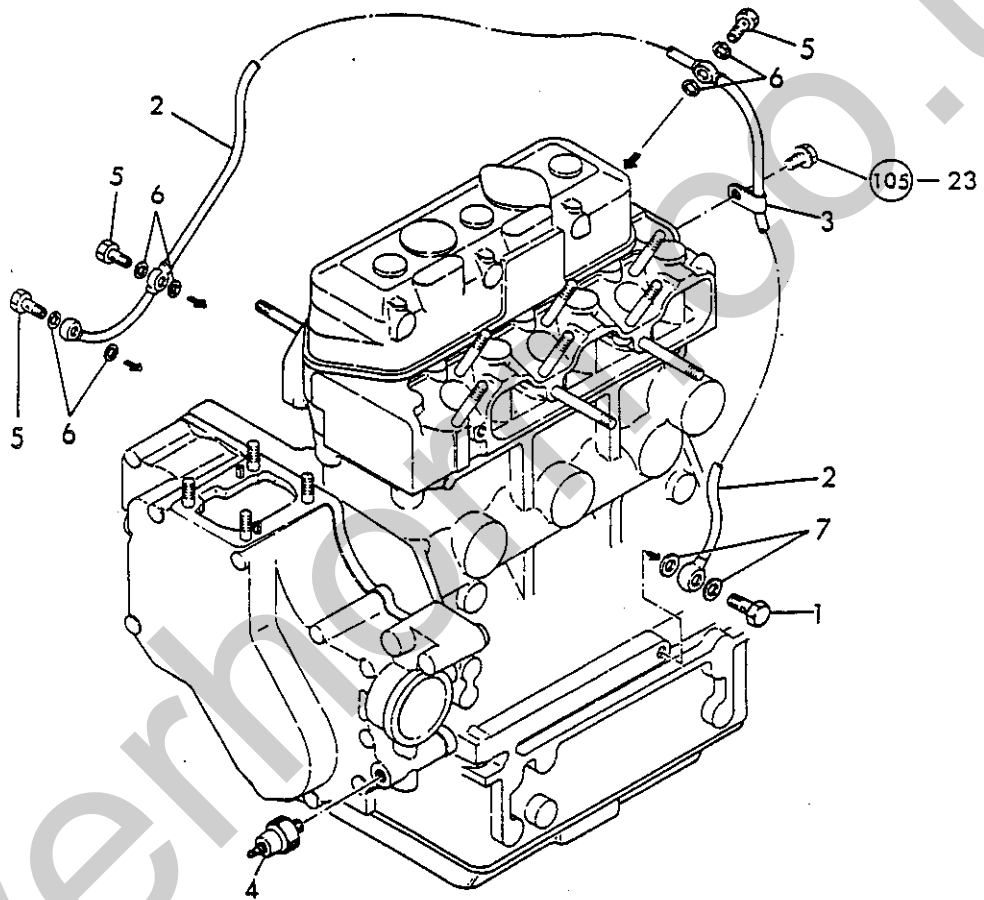
LUB-OIL STRAINER

(A)=3T75H-LTBS (D)=
 (B)= (E)=
 (C)= (F)=

REF.	LEV.	PART NO.	DESCRIPTION	QTY (A)	QTY (B)	QTY (C)	QTY (D)	QTY (E)	QTY (F)	I	P	U	A	R
1	.	121520-35090	PIPE, OIL INLET	1										
2	.	121550-35100	CAP NUT	1										
3	.	121550-35110	GASKET 18	1										
4	.	124550-35110	ELEMENT, LUB OIL	1										
5	..	124450-35110	O-RING	1										
6	.	124085-35300	VALVE ASSY, CONTROL	1										
7	.	124085-35350	LOCK NUT M20	1										

Silverhorn.CO.UK

LUB. OIL PIPE



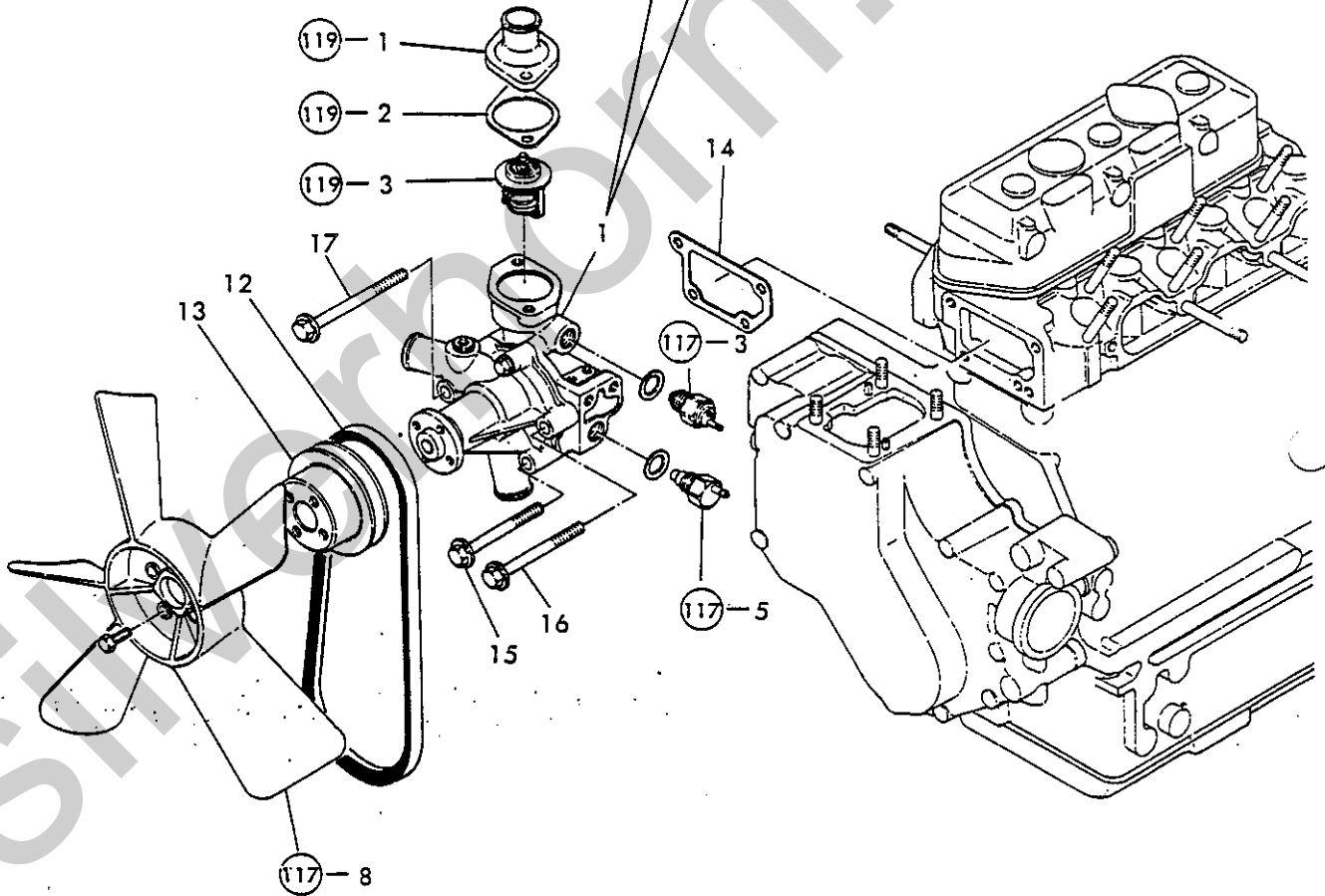
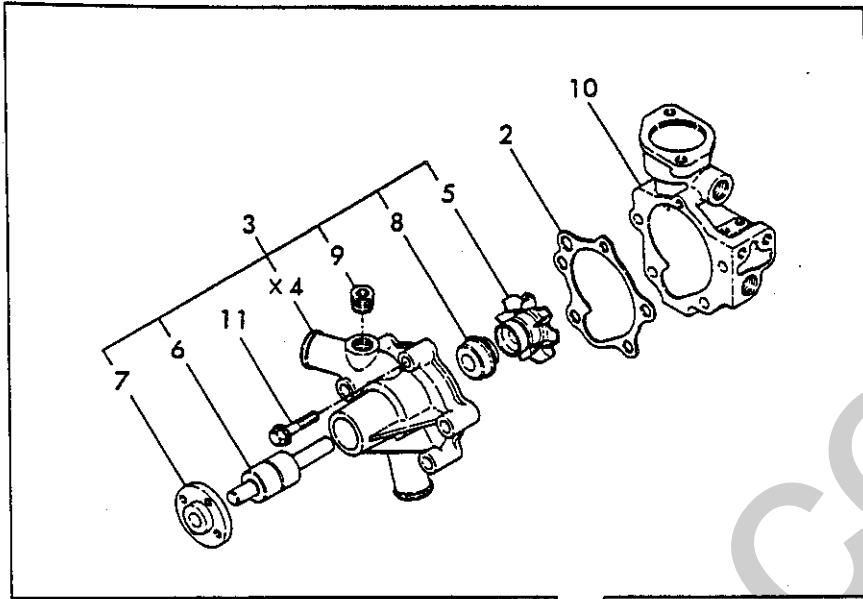
LUB.OIL LINES

(A)=3T75H-LTBS (D)=
 (B)= (E)=
 (C)= (F)=

REF.	LEV.	PART NO.	DESCRIPTION	---Q'TY(コダク)---					
				(A)	(B)	(C)	(D)	(E)	(F)
1	.	124160-39140	ボルト	BOLT, PIPE JOINT	1				
2	.	121550-39200	パイプ	PIPE, LUB OIL	1				
3	.	124450-39240	リテーナ	RETAINER, PIPE	1				
4	.	124160-39450	圧力計 0.5KG	SENDER, OIL PRESSURE	1				
5	.	124550-59820	ボルト 8	BOLT 8, PIPE JOINT	3				
6	.	23414-080000	パッキング 8	PACKING 8	6				
7	.	23414-100000	パッキング 10	PACKING -10	2				

Silverhorn.CO.UK

COOLING WATER PUMP

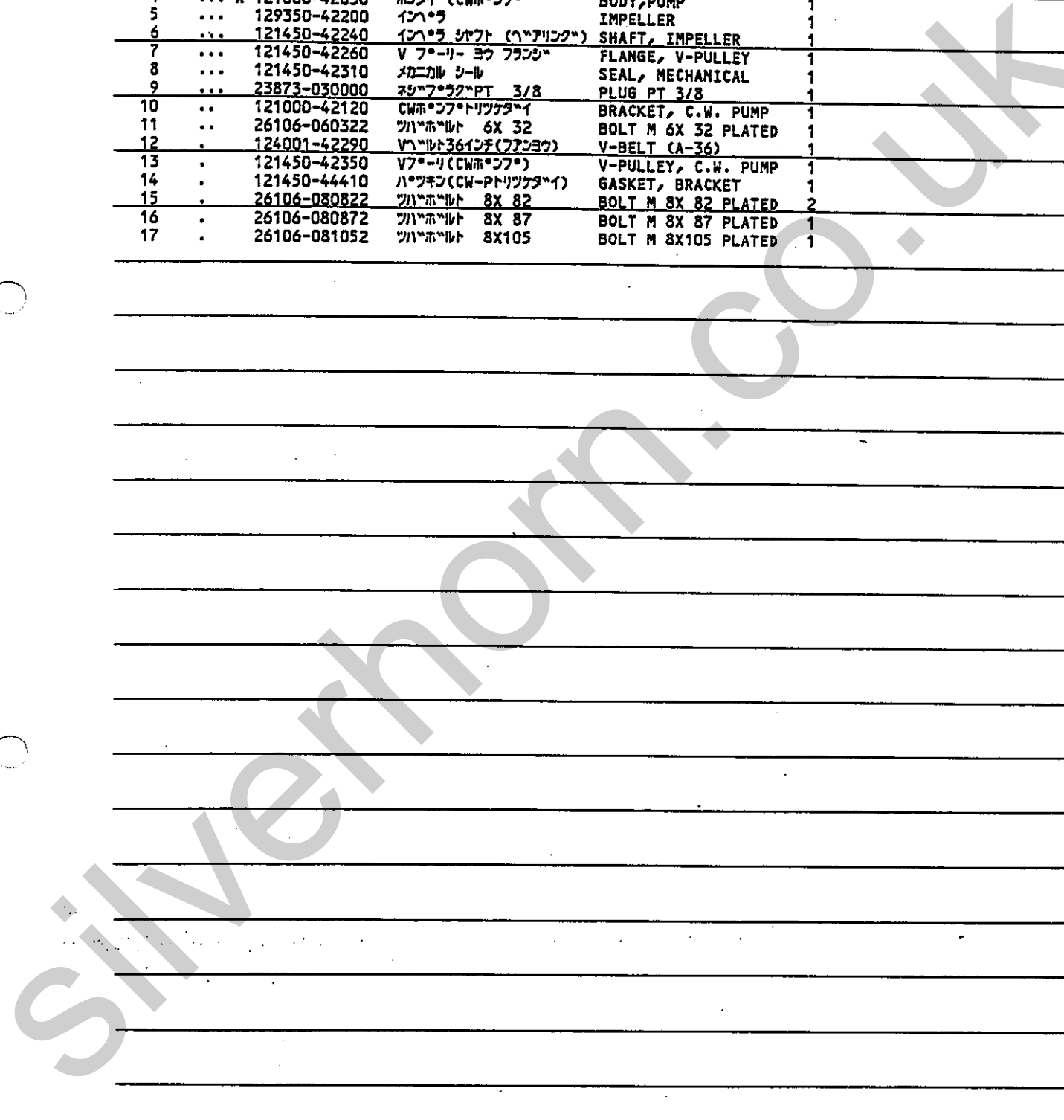


×印部品ハ単品販売致シマセン
 X-MARK PARTS : NOT SOLD SEPARATELY

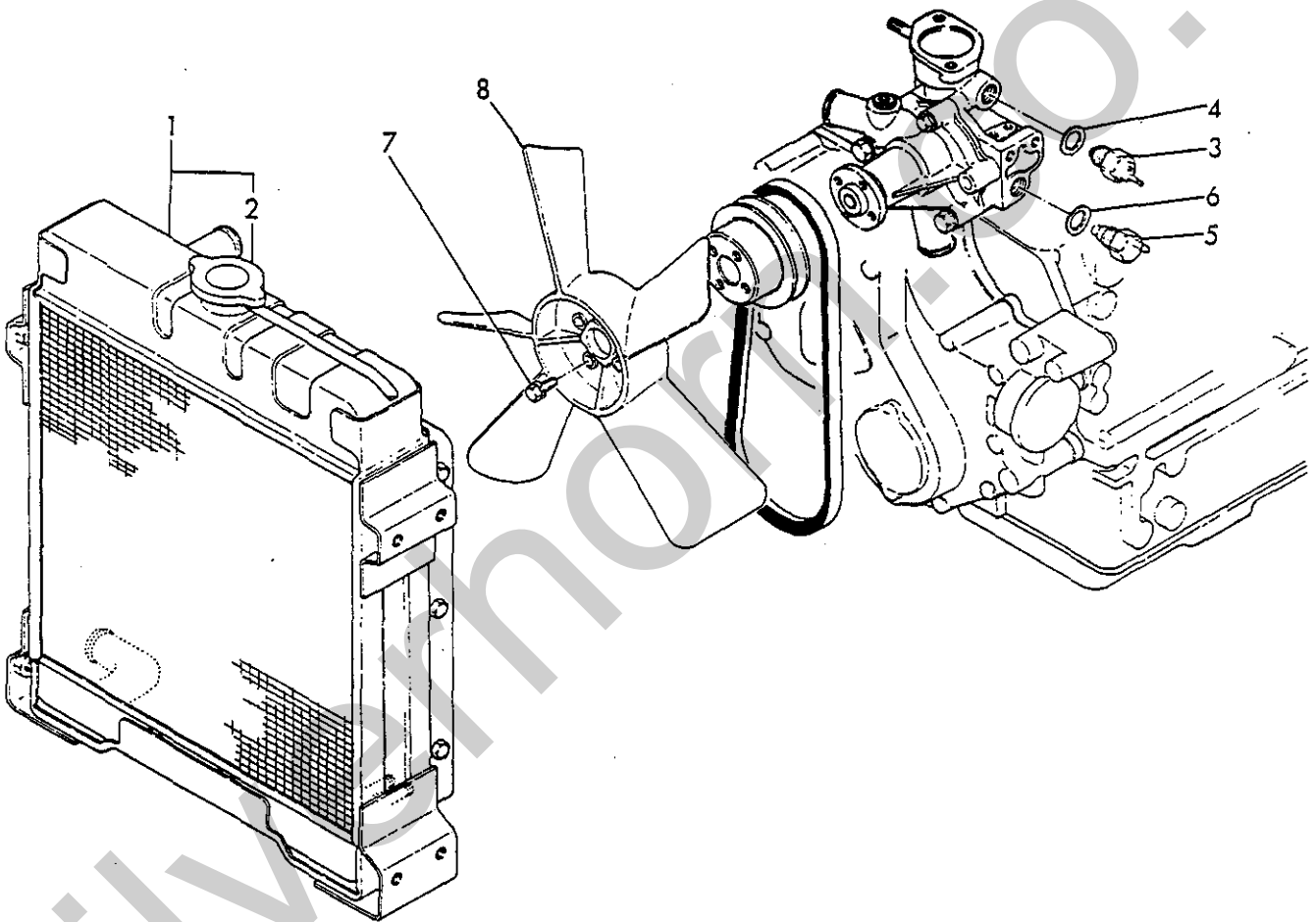
COOLING WATER PUMP

(A)=3T75H-LTBS (D)=
 (B)= (E)=
 (C)= (F)=

REF.	LEV.	PART NO.	DESCRIPTION	QTY	I	P	U	A	R
				(A)(B)(C)(D)(E)(F)					
1	.	121000-42010	CW-P CMP PUMP ASSY, C. WATER	1					
2	..	121000-42051	CWホック*PK GASKET	1					
3	..	121000-42100	CWホック*COMP PUMP ASSY, C. WATER	1					
4	... X	121000-42030	ホック (CWホック*) BODY, PUMP	1					
5	...	129350-42200	インペラ IMPELLER	1					
6	...	121450-42240	インペラ シャフト (V7*リ) SHAFT, IMPELLER	1					
7	...	121450-42260	V7*リ-36 フランス FLANGE, V-PULLEY	1					
8	...	121450-42310	メカニカル シール SEAL, MECHANICAL	1					
9	...	23873-030000	プラグ PT 3/8 PLUG PT 3/8	1					
10	..	121000-42120	CWホック*リブツタ イ BRACKET, C.W. PUMP	1					
11	..	26106-060322	ボルト 6X 32 BOLT M 6X 32 PLATED	1					
12	.	124001-42290	Vベルト 36インチ (7A36) V-BELT (A-36)	1					
13	.	121450-42350	V7*リ (CWホック*) V-PULLEY, C.W. PUMP	1					
14	.	121450-44410	ホック (CW-PTリブツタ イ) GASKET, BRACKET	1					
15	.	26106-080822	ボルト 8X 82 BOLT M 8X 82 PLATED	2					
16	.	26106-080872	ボルト 8X 87 BOLT M 8X 87 PLATED	1					
17	.	26106-081052	ボルト 8X105 BOLT M 8X105 PLATED	1					



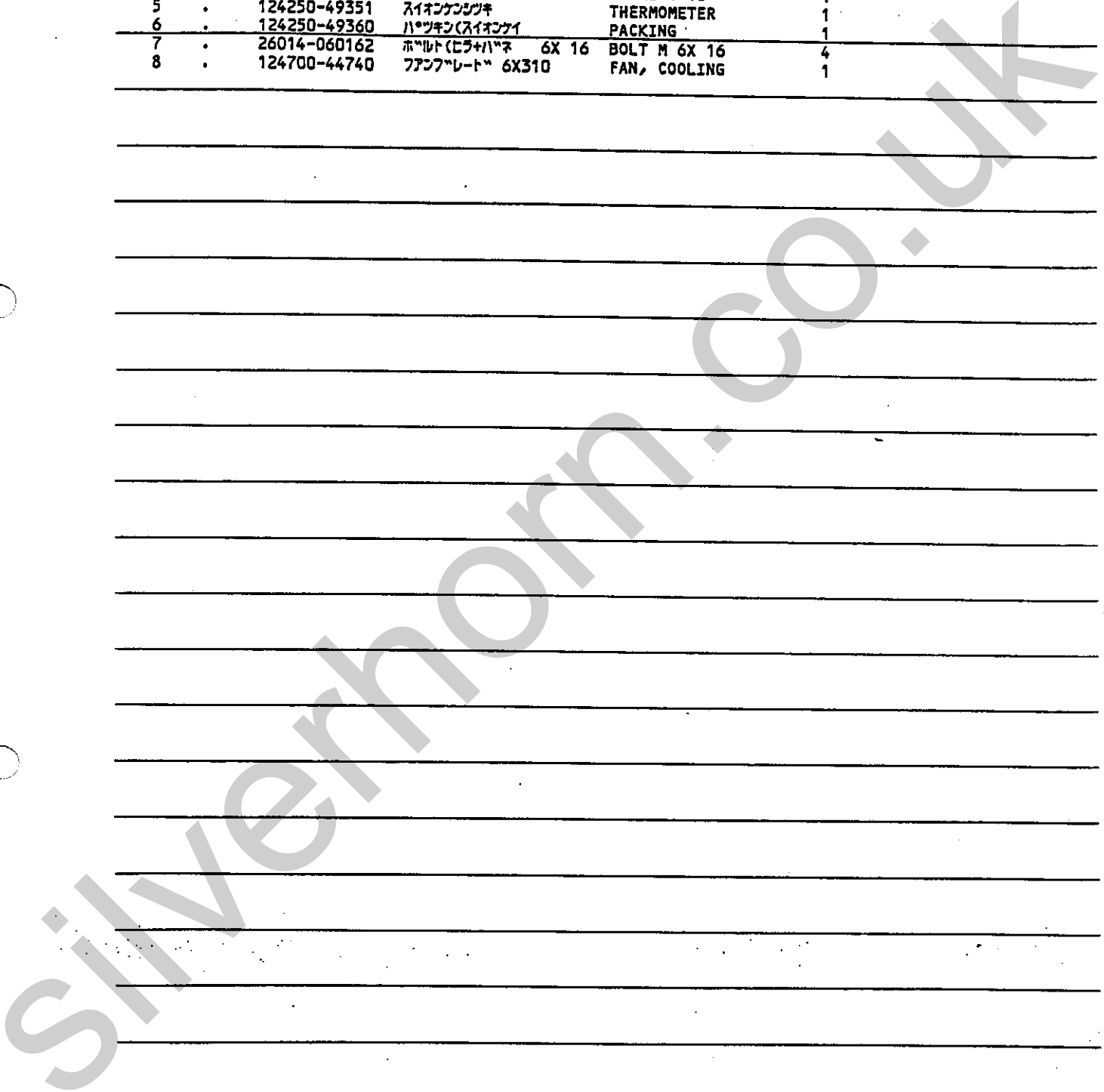
RADIATOR



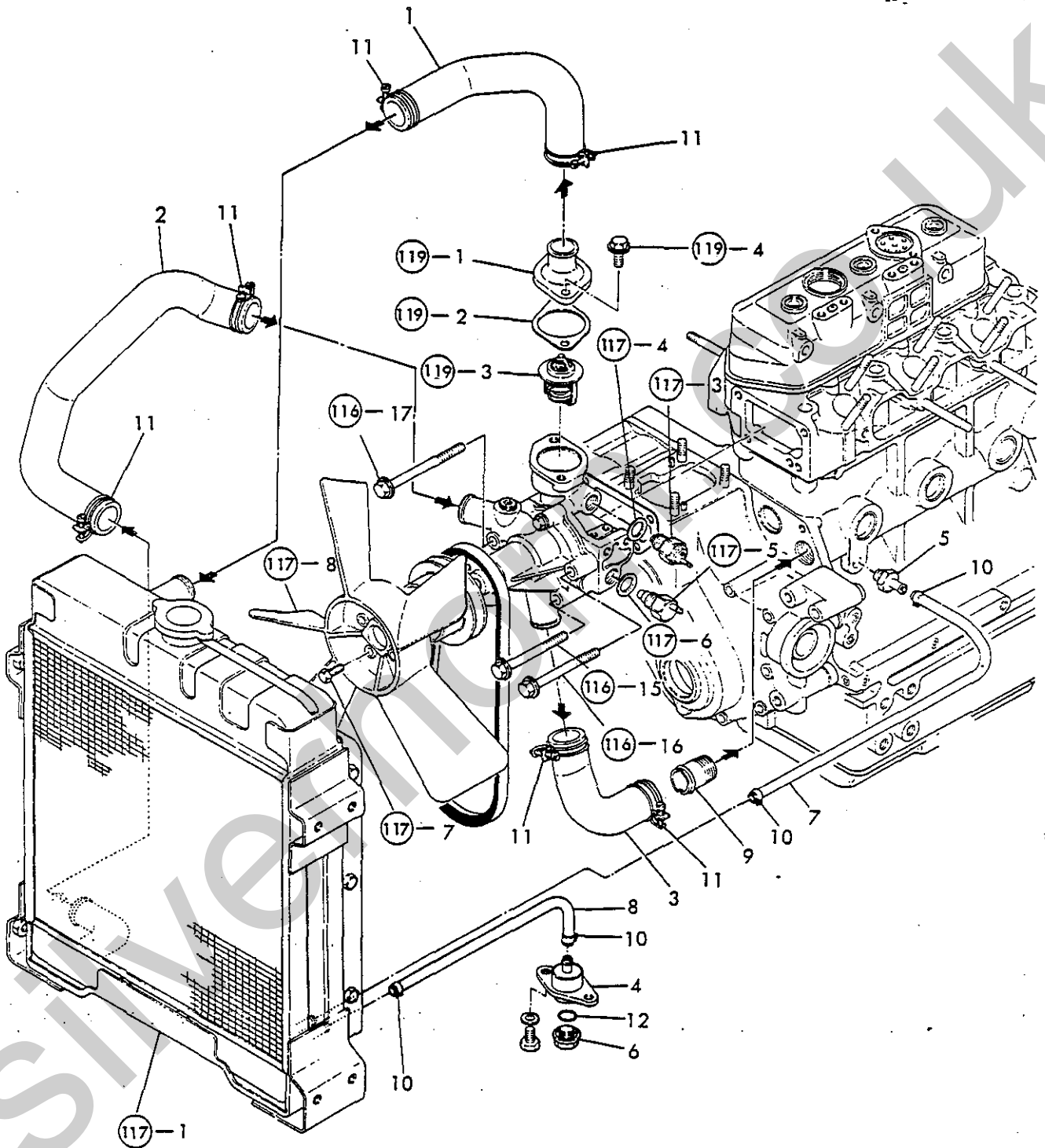
RADIATOR

(A)=3T75H-LTBS (D)=
 (B)= (E)=
 (C)= (F)=

REF.	LEV.	PART NO.	DESCRIPTION	Q'ITY (A) (B) (C) (D) (E) (F)						I	P	U	A	R
				(A)	(B)	(C)	(D)	(E)	(F)					
1	.	121521-44500	RADIATOR	1										
2	..	123682-44210	CAP	1										
3	.	121250-44901	SWITCH, THERMO(110°C	1										
4	.	124465-44950	PACKING 16	1										
5	.	124250-49351	THERMOMETER	1										
6	.	124250-49360	PACKING	1										
7	.	26014-060162	BOLT M 6X 16	4										
8	.	124700-44740	FAN, COOLING	1										



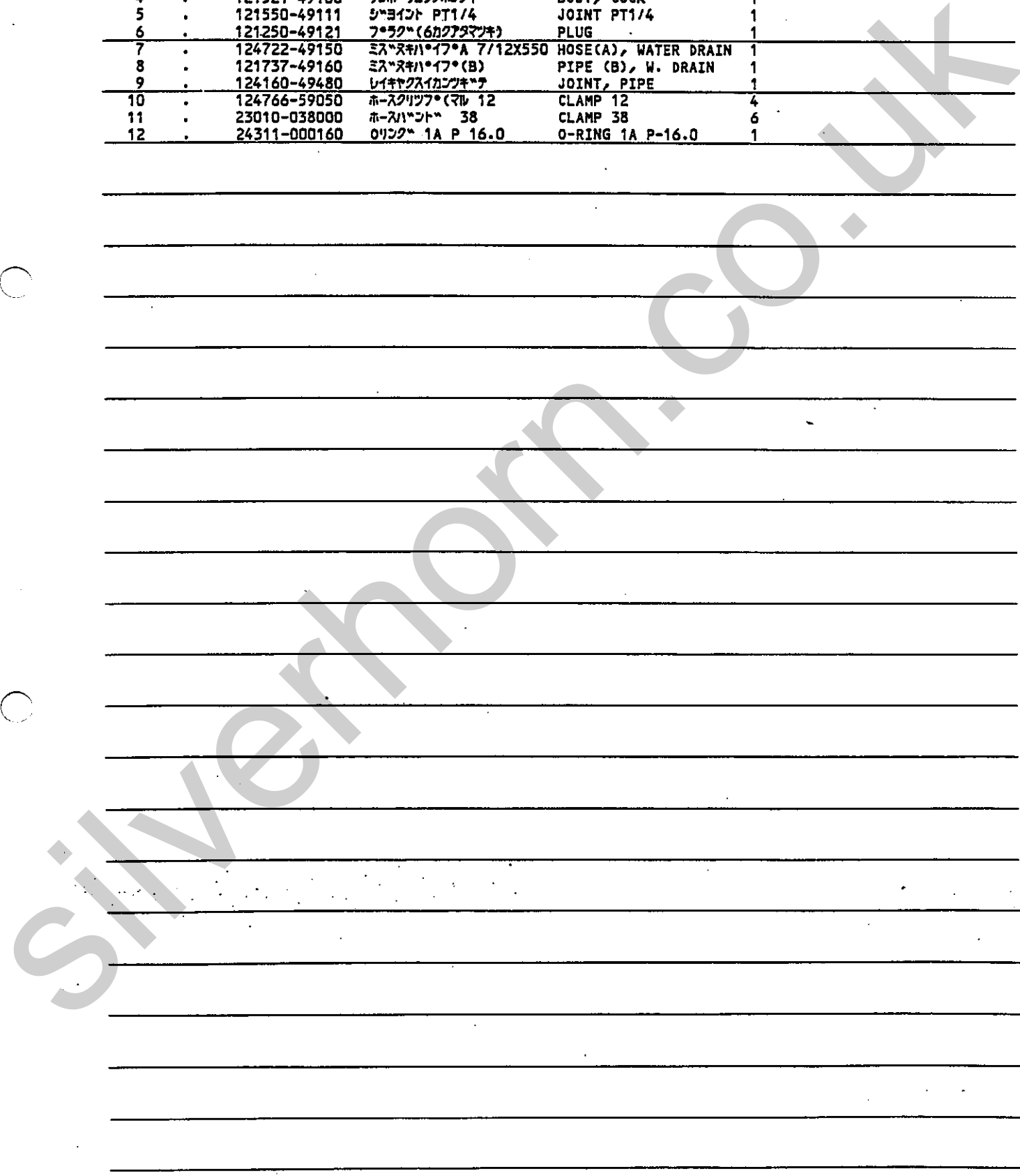
COOLING WATER PIPE



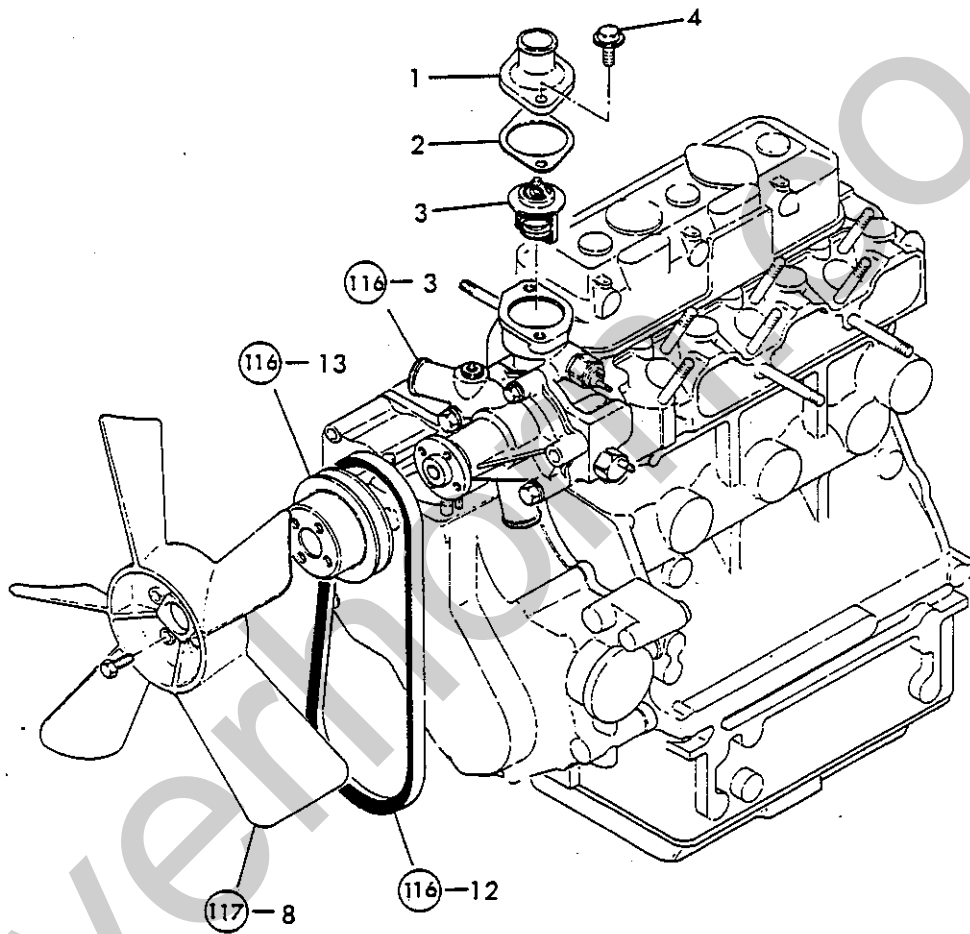
COOLING WATER LINES

(A)=3T75H-LTBS (D)=
 (B)= (E)=
 (C)= (F)=

REF.	LEV.	PART NO.	DESCRIPTION	Q'TY (A) (B) (C) (D) (E) (F)						
				(A)	(B)	(C)	(D)	(E)	(F)	
1	.	121521-49010	PIPE (A), C. WATER	1						
2	.	121521-49020	PIPE, COOLING WATER	1						
3	.	121500-49030	PIPE (C), C. WATER	1						
4	.	121521-49100	BODY, COCK	1						
5	.	121550-49111	JOINT PT1/4	1						
6	.	121250-49121	PLUG	1						
7	.	124722-49150	HOSE(A), WATER DRAIN	1						
8	.	121737-49160	PIPE (B), W. DRAIN	1						
9	.	124160-49480	JOINT, PIPE	1						
10	.	124766-59050	CLAMP 12	4						
11	.	23010-038000	CLAMP 38	6						
12	.	24311-000160	O-RING 1A P-16.0	1						



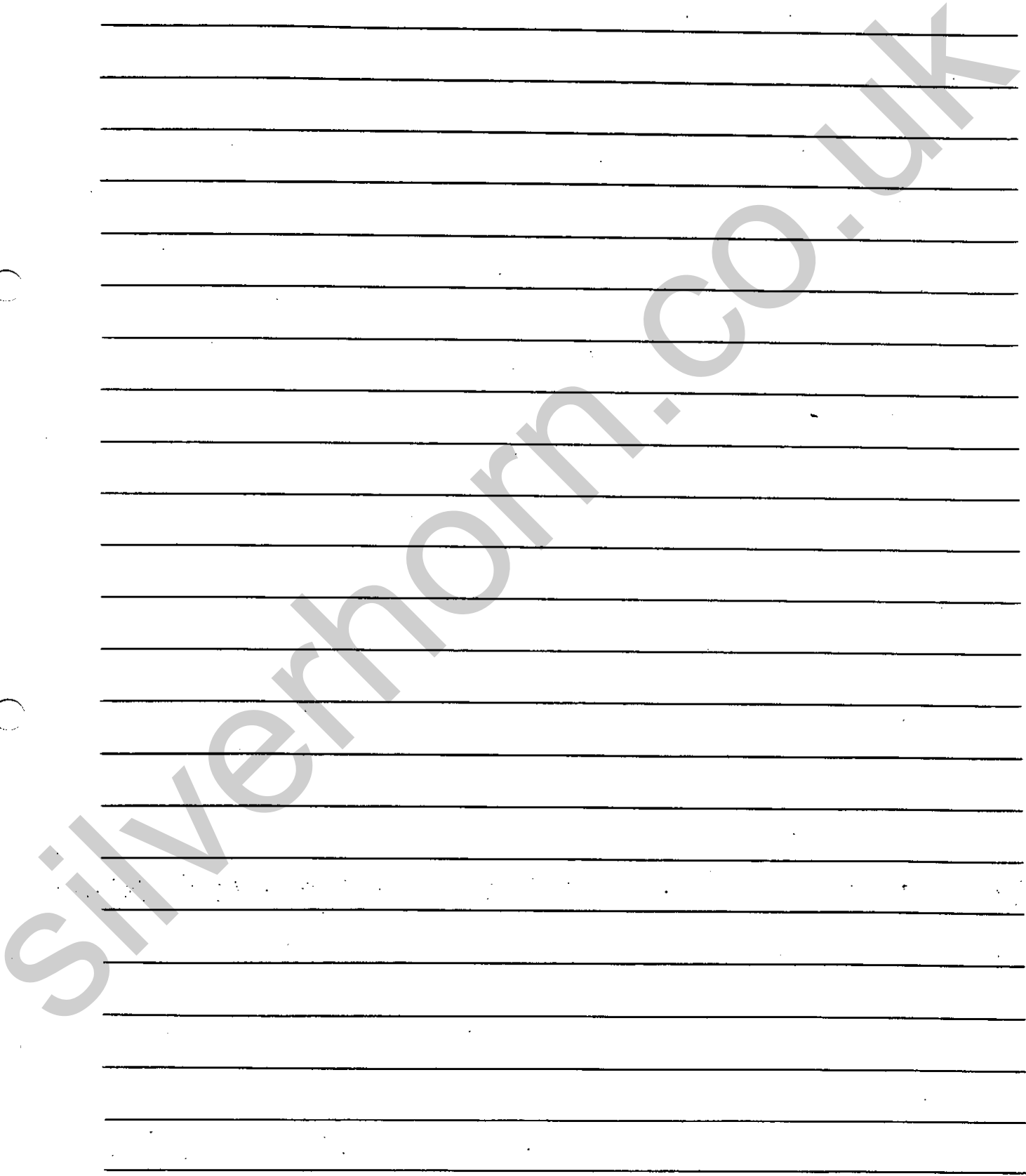
THERMOSTAT



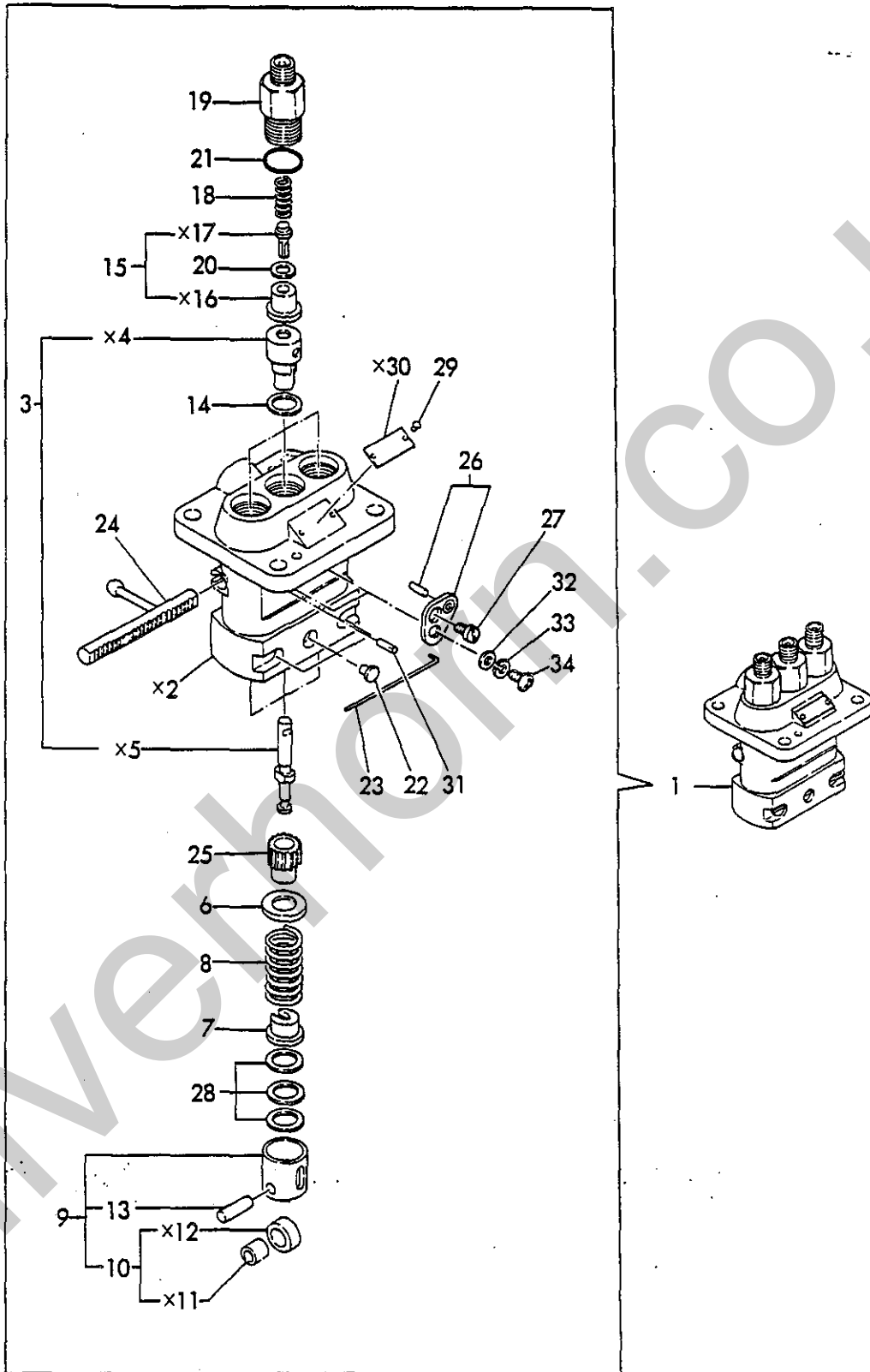
THERMOSTAT

(A)=3T75H-LTBS (D)=
 (B)= (E)=
 (C)= (F)=

REF.	LEV.	PART NO.	DESCRIPTION	Q'TY	I	P	U	A	R
				(A)(B)(C)(D)(E)(F)					
1	.	129350-49530	COVER, THERMOSTAT	1					
2	.	129350-49540	GASKET	1					
3	.	129350-49800	THERMOSTAT	1					
4	.	26106-080182	BOLT M 8X 18 PLATED	2					



FUEL INJECTION PUMP

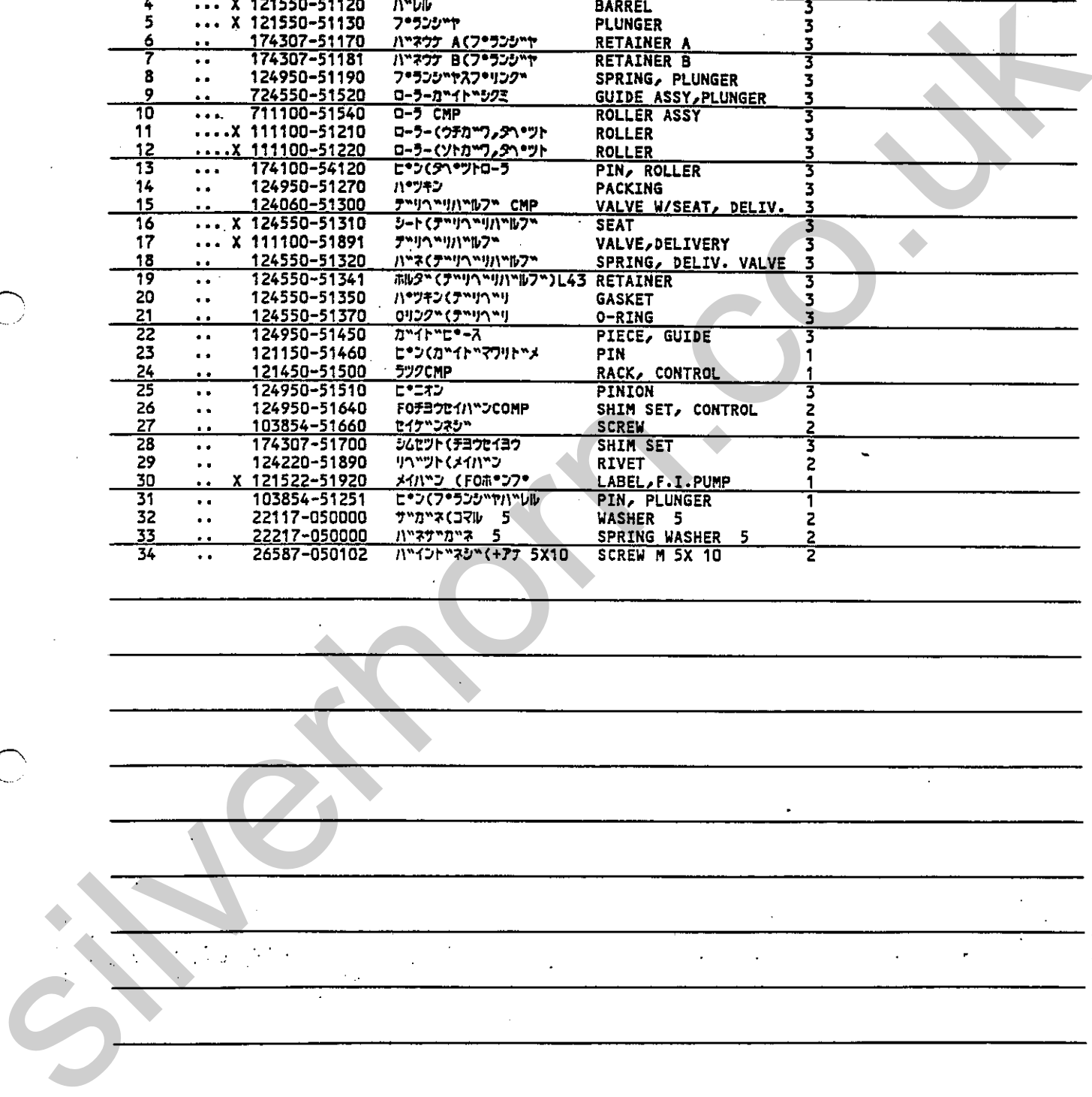


×印部品ハ単品販売致シマセン
 X-MARK PARTS : NOT SOLD SEPARATELY

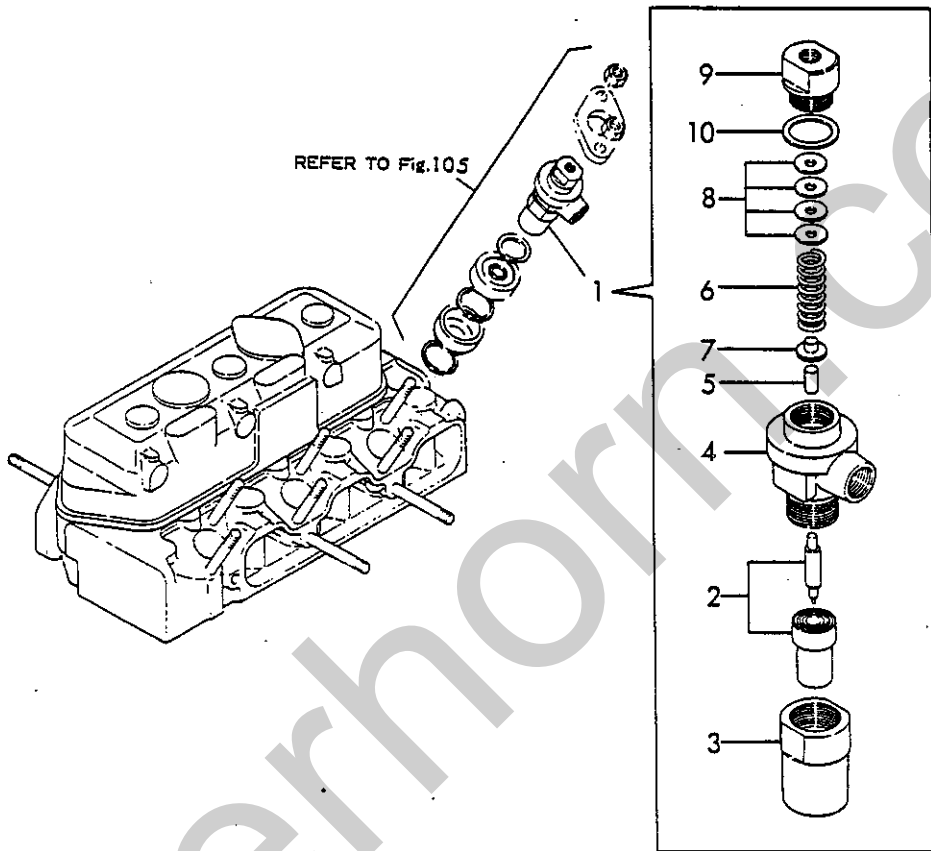
FUEL INJECTION PUMP

(A)=3T75H-LTBS (D)=
 (B)= (E)=
 (C)= (F)=

REF.	LEV.	PART NO.	DESCRIPTION	Q'TY(コダ)					
				(A)	(B)	(C)	(D)	(E)	(F)
1	.	721522-51700	FUEL INJECTION PUMP	1					
2	.. X	121450-51010	BODY, FUEL I. PUMP	1					
3	..	121550-51100	PLUNGER W/BARREL	3					
4	... X	121550-51120	BARREL	3					
5	... X	121550-51130	PLUNGER	3					
6	..	174307-51170	RETAINER A	3					
7	..	174307-51181	RETAINER B	3					
8	..	124950-51190	SPRING, PLUNGER	3					
9	..	724550-51520	GUIDE ASSY, PLUNGER	3					
10	...	711100-51540	ROLLER ASSY	3					
11X	111100-51210	ROLLER	3					
12X	111100-51220	ROLLER	3					
13	...	174100-54120	PIN, ROLLER	3					
14	..	124950-51270	PACKING	3					
15	..	124060-51300	VALVE W/SEAT, DELIV.	3					
16	... X	124550-51310	SEAT	3					
17	... X	111100-51891	VALVE, DELIVERY	3					
18	..	124550-51320	SPRING, DELIV. VALVE	3					
19	..	124550-51341	RETAINER	3					
20	..	124550-51350	GASKET	3					
21	..	124550-51370	O-RING	3					
22	..	124950-51450	PIECE, GUIDE	3					
23	..	121150-51460	PIN	1					
24	..	121450-51500	RACK, CONTROL	1					
25	..	124950-51510	PINION	3					
26	..	124950-51640	SHIM SET, CONTROL	2					
27	..	103854-51660	SCREW	2					
28	..	174307-51700	SHIM SET	3					
29	..	124220-51890	RIVET	2					
30	.. X	121522-51920	LABEL, F.I. PUMP	1					
31	..	103854-51251	PIN, PLUNGER	1					
32	..	22117-050000	WASHER 5	2					
33	..	22217-050000	SPRING WASHER 5	2					
34	..	26587-050102	SCREW M 5X 10	2					



FUEL INJECTION VALVE



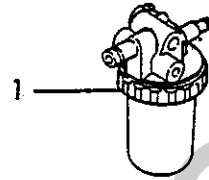
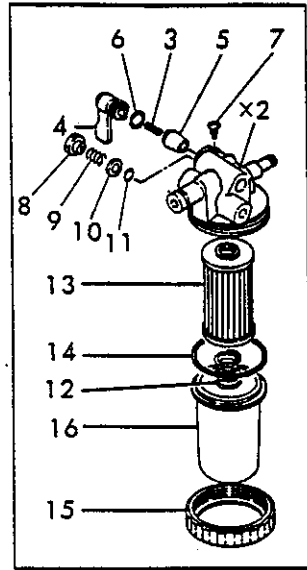
FUEL INJECTION VALVE

(A)=3T75H-LTBS (D)=
 (B)= (E)=
 (C)= (F)=

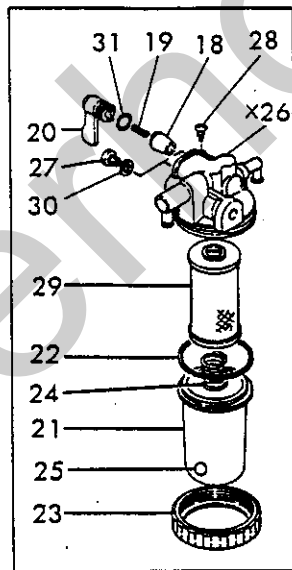
REF.	LEV.	PART NO.	DESCRIPTION	QTY	I	P	U	A	R
				(A)(B)(C)(D)(E)(F)					
1	.	724060-53101	2TR13 FOR CMP	VALVE ASSY, F.INJECT	3				
2	..	124770-53000	ノズル CMP	NOZZLE ASSY, F.INJECT	3				
3	..	104200-53080	ケース	HOLDER, VALVE W/CASE	3				
4	..	103854-53100	ホルダ	HOLDER ASSY, NOZZLE	3				
5	..	113200-53110	シャフト	SPINDLE	3				
6	..	103854-53120	スプリング	SPRING, NOZZLE	3				
7	..	113200-53120	シュー	SHOE, SPRING	3				
8	..	110250-53150	シム	SHIM SET	3				
9	..	103854-53180	リテーナ	RETAINER, SPRING	3				
10	..	172100-53200	ガスケット	GASKET	3				

Silverhorn.CO.UK

STRAINER & WATER SEPARATOR



1

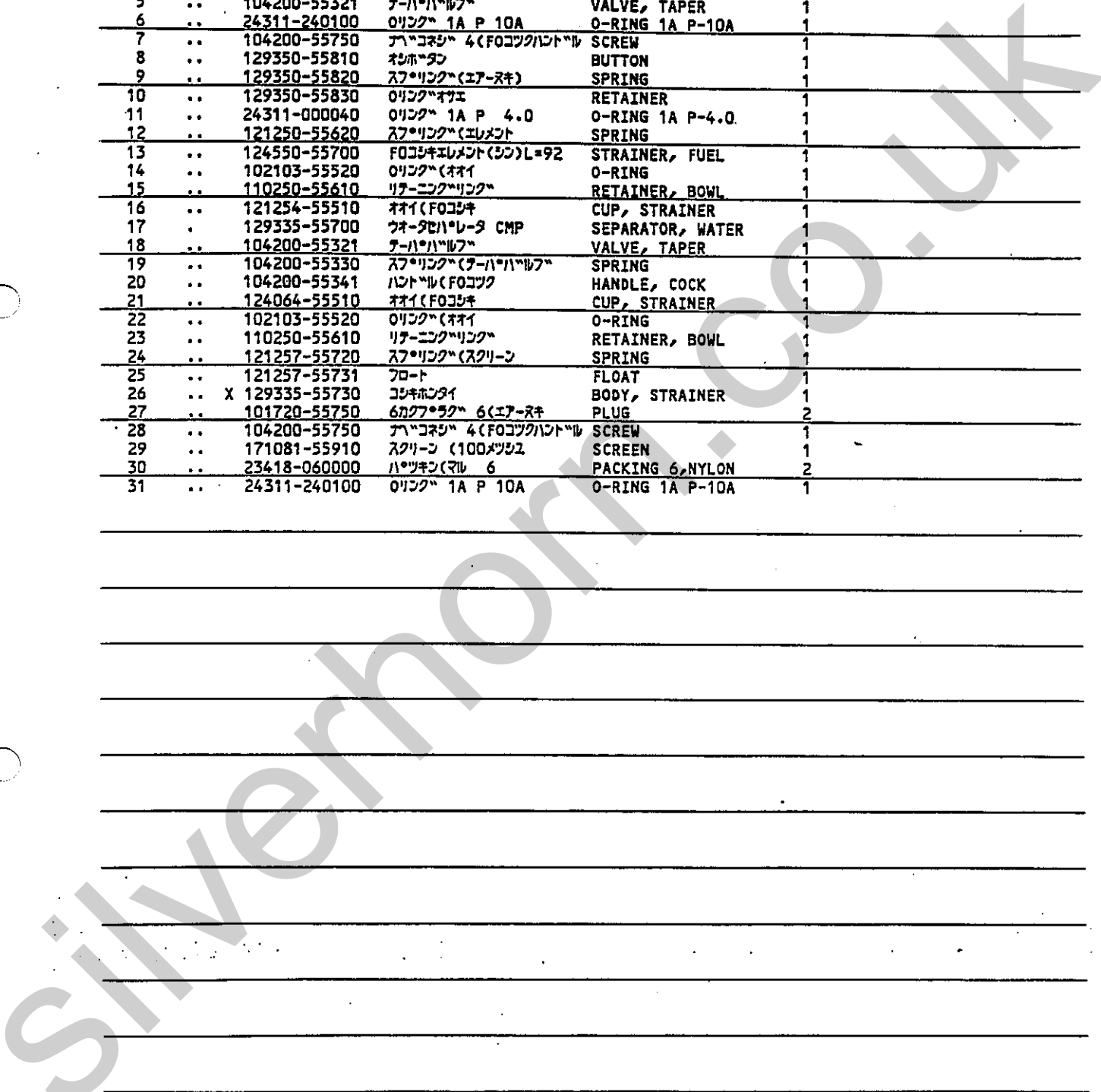


17

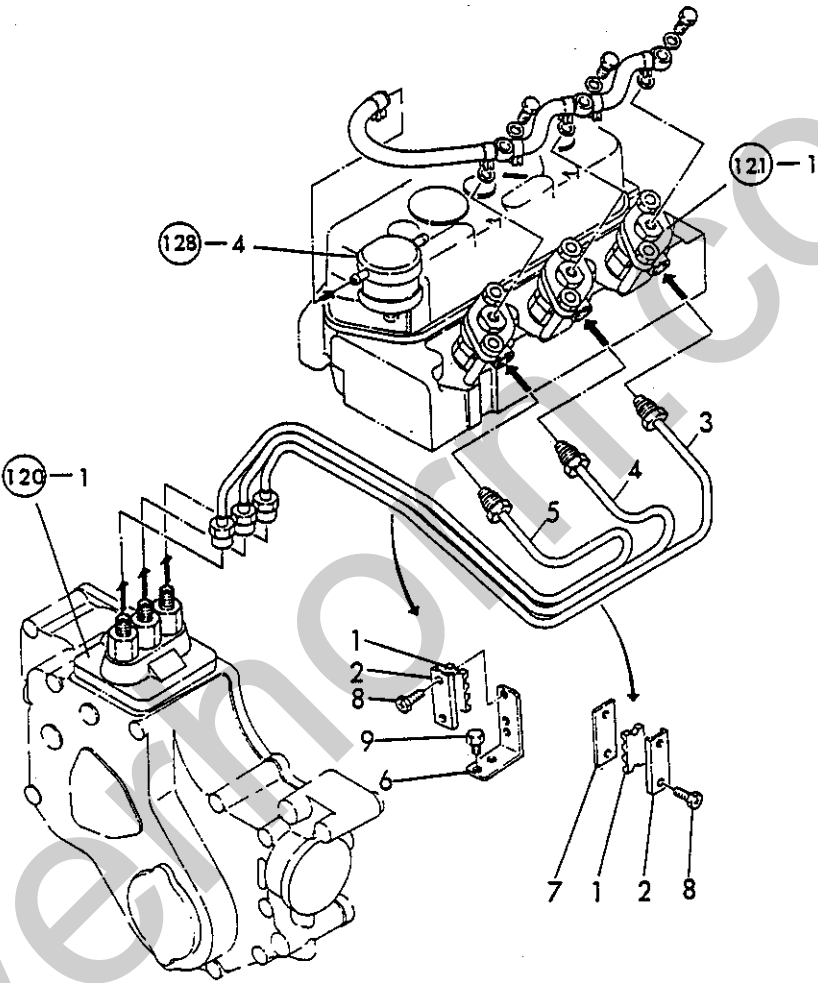
×印部品は単品販売致シマセン
 ×-MARK PARTS : NOT SOLD SEPARATELY

F.O.STRAINER & WATER SEPARATOR(A)=3T75H-LTBS (D)=
 (B)= (E)=
 (C)= (F)=

REF.	LEV.	PART NO.	DESCRIPTION	Q'TY (A) (B) (C) (D) (E) (F)					
				(A)	(B)	(C)	(D)	(E)	(F)
1	.	129350-55600	FOコジキ CMP	1					
2	.. X	129350-55540	ストライナー	1					
3	..	104200-55330	スプリング	1					
4	..	104200-55341	ハンドル	1					
5	..	104200-55321	バルブ	1					
6	..	24311-240100	O-RING 1A P 10A	1					
7	..	104200-55750	ネジ	1					
8	..	129350-55810	ボタン	1					
9	..	129350-55820	スプリング	1					
10	..	129350-55830	リテーナー	1					
11	..	24311-000040	O-RING 1A P 4.0	1					
12	..	121250-55620	スプリング	1					
13	..	124550-55700	ストライナー	1					
14	..	102103-55520	O-RING	1					
15	..	110250-55610	リテーナー	1					
16	..	121254-55510	カップ	1					
17	.	129335-55700	セパレーター	1					
18	..	104200-55321	バルブ	1					
19	..	104200-55330	スプリング	1					
20	..	104200-55341	ハンドル	1					
21	..	124064-55510	カップ	1					
22	..	102103-55520	O-RING	1					
23	..	110250-55610	リテーナー	1					
24	..	121257-55720	スプリング	1					
25	..	121257-55731	フロート	1					
26	.. X	129335-55730	ストライナー	1					
27	..	101720-55750	プラグ	2					
28	..	104200-55750	ネジ	1					
29	..	171081-55910	スクリーン	1					
30	..	23418-060000	パッキング	2					
31	..	24311-240100	O-RING 1A P 10A	1					



F.O. INJECTION PIPE



FUEL INJECTION PIPE

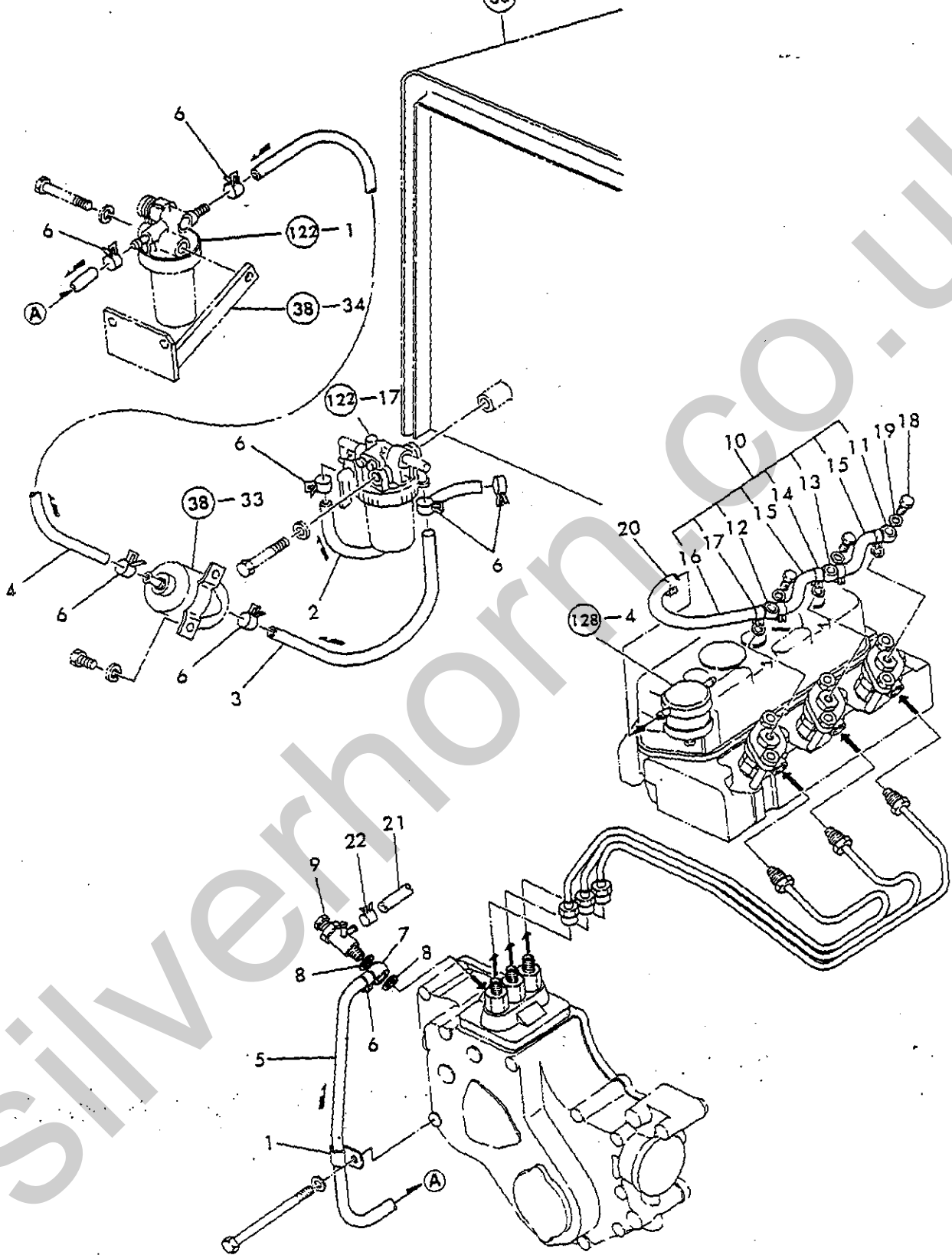
(A)=3T75H-LTBS (D)=
 (B)= (E)=
 (C)= (F)=

REF.	LEV.	PART NO.	DESCRIPTION	Q'TY	I	P	U	A	R
				(A)(B)(C)(D)(E)(F)					
1	.	123325-59100	RETAINER	2					
2	.	123325-59110	COVER	2					
3	.	121522-59810	PIPE (A), F. INJECT	1					
4	.	121522-59820	PIPE, FUEL INJECTION	1					
5	.	121522-59830	PIPE, FUEL INJECTION	1					
6	.	121450-59850	BRACKET (A)	1					
7	.	121250-59860	RETAINER (B)	1					
8	.	121465-59950	BOLT M 6X 16, PLATED	4					
9	.	26116-060102	BOLT M 6X 10 PLATED	2					

Silverhorn.CO.UK

FUEL OIL PIPE

38-x2



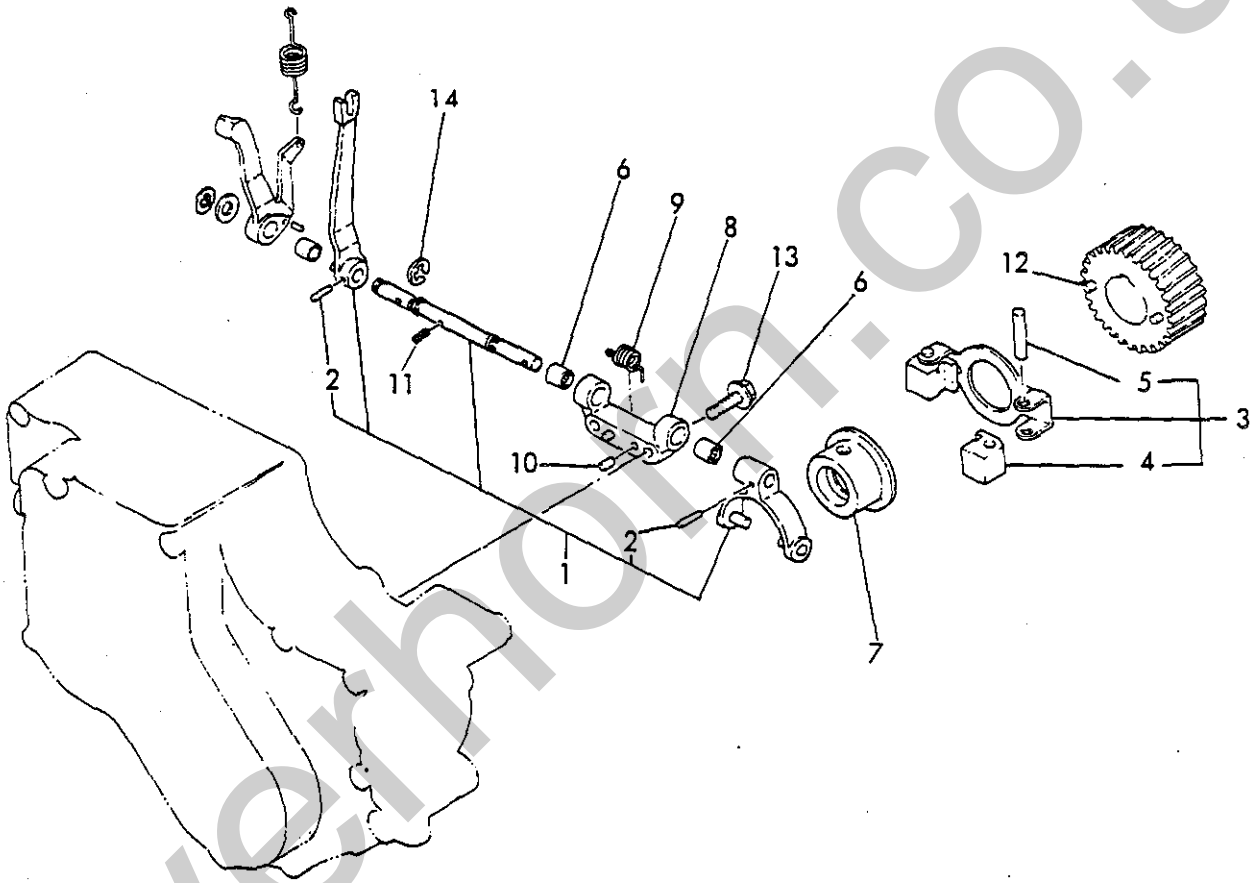
FUEL LINES

(A)=3T75H-LTBS (D)=
 (B)= (E)=
 (C)= (F)=

ミヤシ REF.	レベル LEV.	部品番号 PART NO.	名称 メイ	DESCRIPTION	---Q'TY(コスタ)--- (A)(B)(C)(D)(E)(F)	I P/U A R
1	.	124160-01650	クランプ(フレスハーフ)	CLAMP	2	
2	.	105025-59530	FO-T(コシキ-ポンプ)	FUEL PIPE(STR.-PUMP)	1	
3	.	105025-59530	FO-T(コシキ-ポンプ)	FUEL PIPE(STR.-PUMP)	1	
4	.	105025-59530	FO-T(コシキ-ポンプ)	FUEL PIPE(STR.-PUMP)	1	
5	.	105425-59512	FOハーフ(コシキ-P)	PIPE, FUEL OIL	1	
6	.	124766-59050	ホースクリップ(マニ 12)	CLAMP 12	8	
7	.	101304-59020	カンツキテ(カタクチ 12)	JOINT 12, PIPE	1	
8	.	104200-59170	ハツキン(マニ 12)	GASKET 12	2	
9	.	129155-59190	カンツキテボルト CMP	BOLT, PIPE JOINT	1	
10	..	121522-59500	FO-Tモトシ CMP	PIPE, FUEL RETURN	1	
11	..	124550-59030	カンツキテ(カタクチ 8)	JOINT, PIPE	1	
12	..	121750-59090	カンツキテ(カタクチ 8)	JOINT	1	
13	..	124550-59090	カンツキテ(カタクチ 8)	JOINT, PIPE	1	
14	..	124066-59100	ホースクリップ(マニ 8)	CLAMP, PIPE	4	
15	..	121450-59550	FO-T(D8XL80)	PIPE, FUEL RETURN	2	
16	..	121522-59560	FOハーフ	PIPE, FUEL PIPE	1	
17	..	124060-77680	クランプ	CLAMP	1	
18	.	101147-59810	カンツキテボルト 8	BOLT, PIPE JOINT	3	
19	.	23414-080012	ハツキン(マニ 8)	PACKING -8	6	
20	.	124060-77680	クランプ	CLAMP	1	
21	.	23061-060350	フレスハーフ 6X350	PIPE 6X 350	1	
22	.	124066-59100	ホースクリップ(マニ 8)	CLAMP, PIPE	1	

Silverhorn.CO.UK

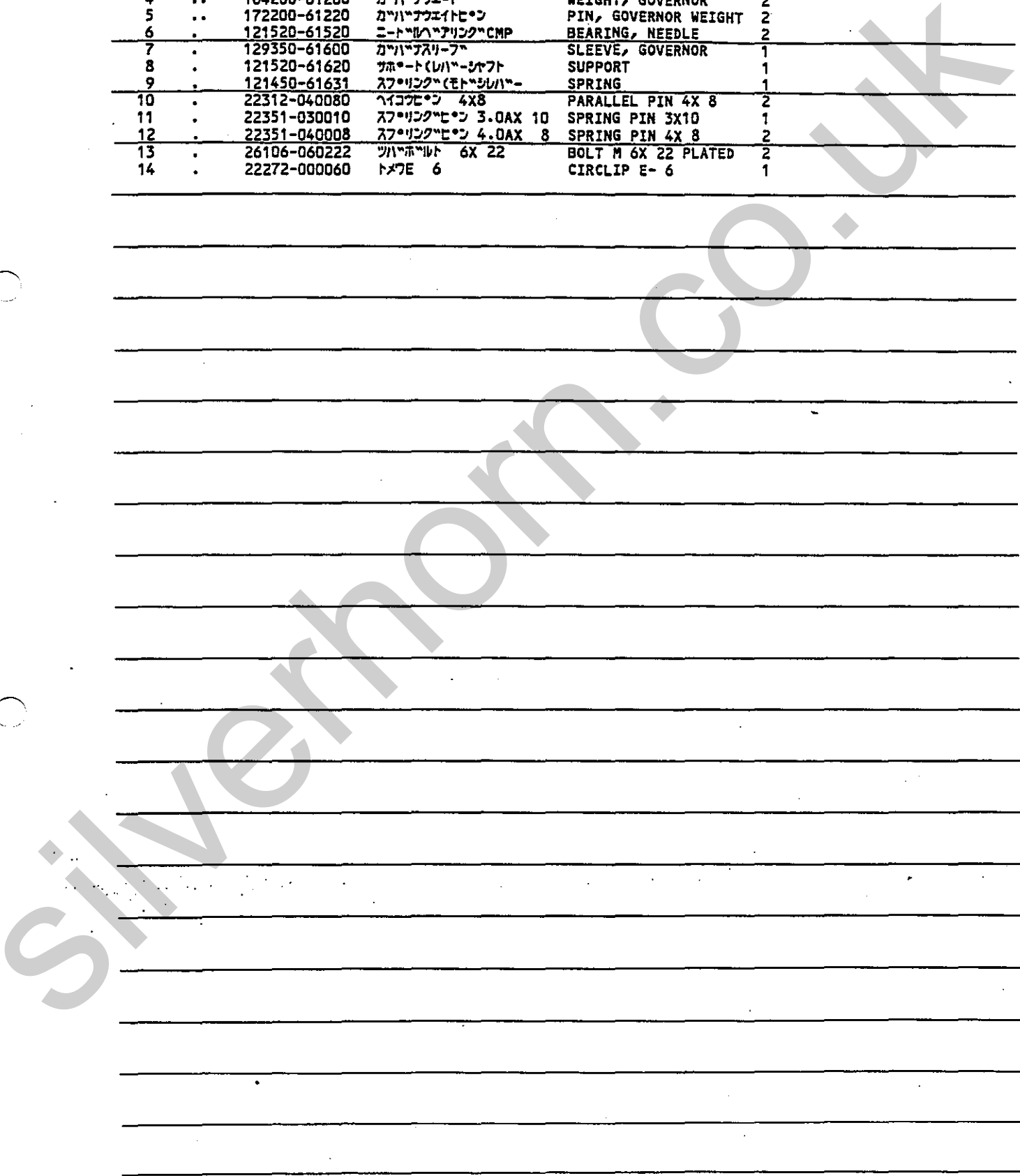
GOVERNOR



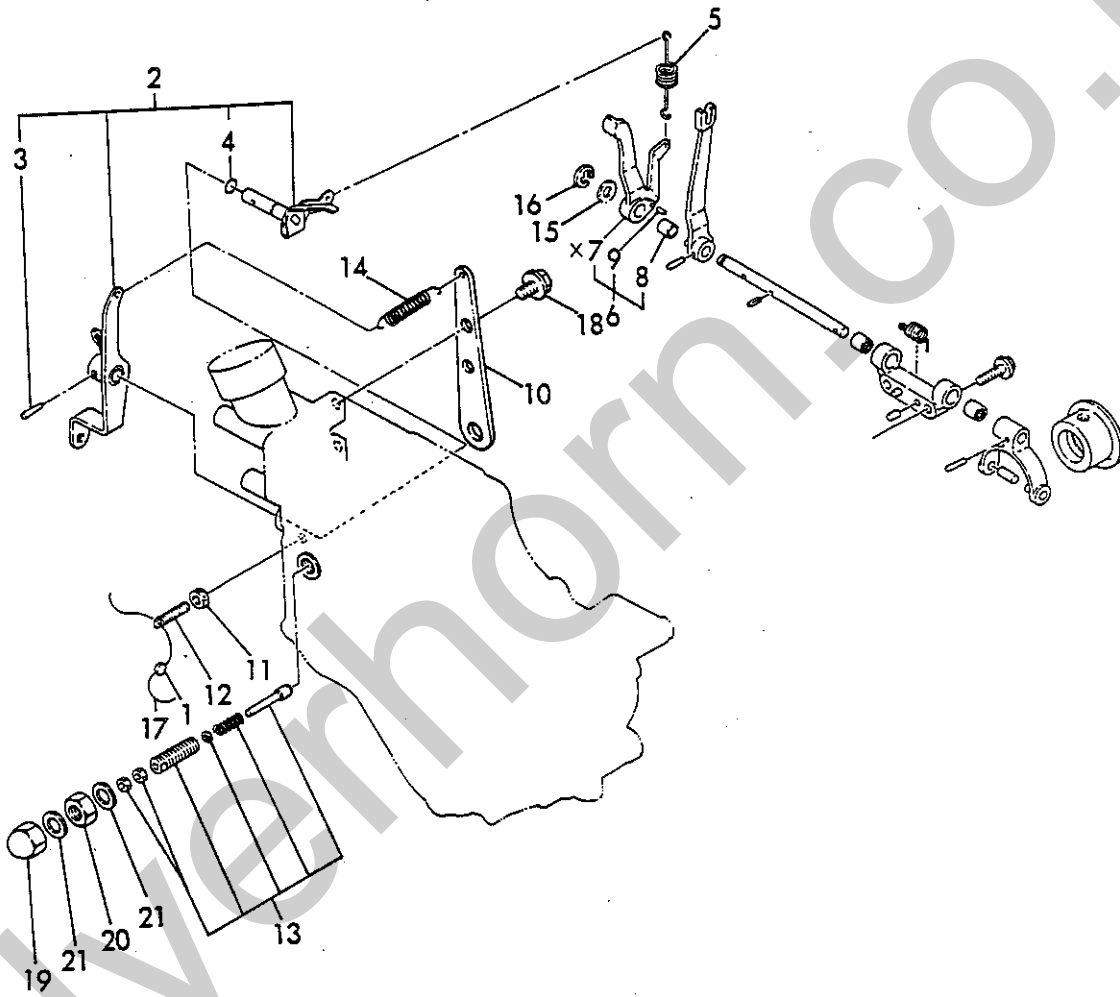
GOVERNOR

(A)=3T75H-LTBS (D)=
 (B)= (E)=
 (C)= (F)=

REF.	LEV.	PART NO.	DESCRIPTION	Q'TY (A)(B)(C)(D)(E)(F)	I P/U A R
1	.	121450-61001	LEVER, GOVERNOR	1	
2	..	22322-030180	TAPER PIN 3X18	2	
3	.	121450-61101	WEIGHT ASSY, GOVERNOR	1	
4	..	104200-61200	WEIGHT, GOVERNOR	2	
5	..	172200-61220	PIN, GOVERNOR WEIGHT	2	
6	.	121520-61520	BEARING, NEEDLE	2	
7	.	129350-61600	SLEEVE, GOVERNOR	1	
8	.	121520-61620	SUPPORT	1	
9	.	121450-61631	SPRING	1	
10	.	22312-040080	PARALLEL PIN 4X 8	2	
11	.	22351-030010	SPRING PIN 3X10	1	
12	.	22351-040008	SPRING PIN 4X 8	2	
13	.	26106-060222	BOLT M 6X 22 PLATED	2	
14	.	22272-000060	CIRCLIP E- 6	1	



CONTROL DEVICE

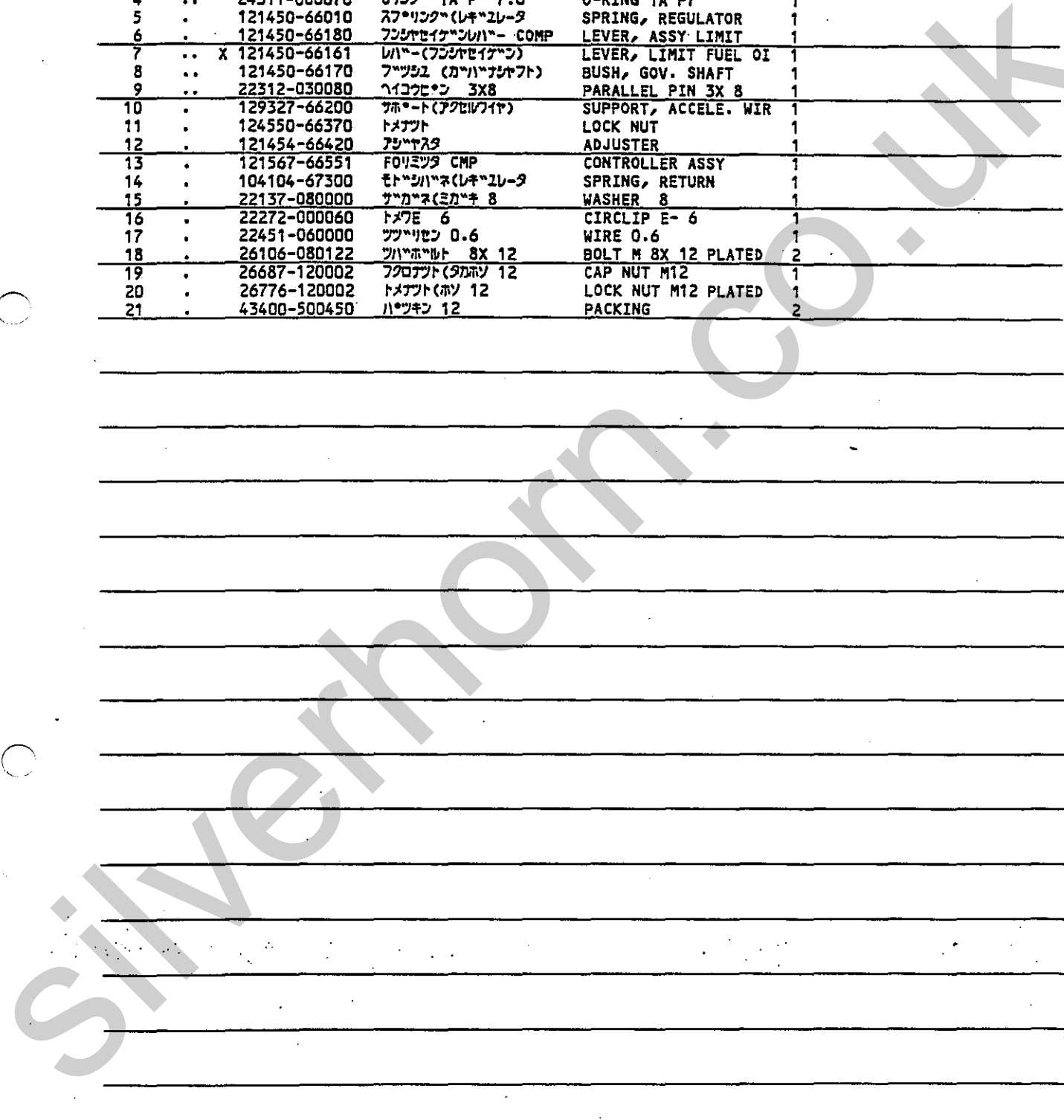


×印部品ハ単品販売致シマセン
×MARK PARTS : NOT SOLD SEPARATELY

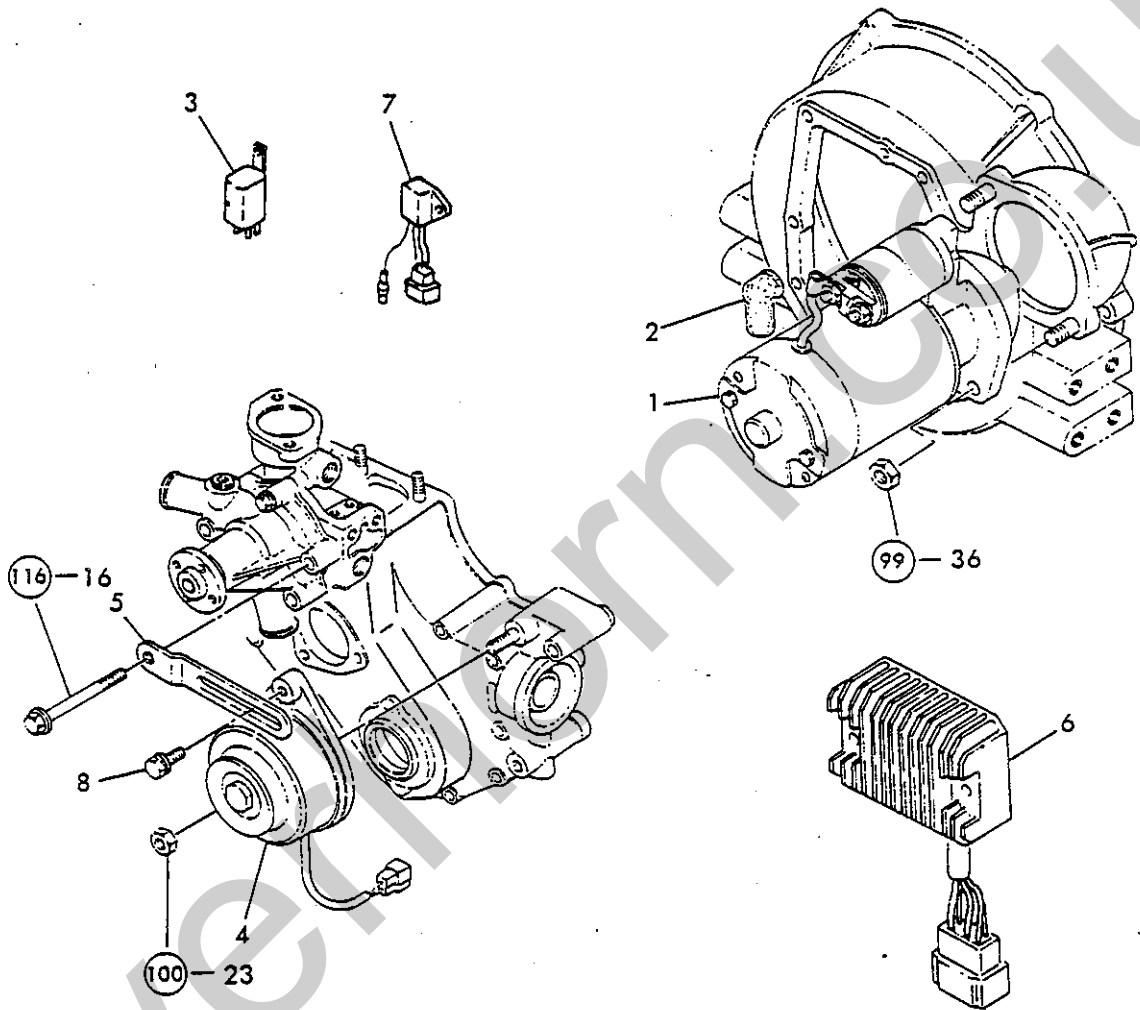
CONTROL DEVICE

(A)=3T75H-LTBS (D)=
 (B)= (E)=
 (C)= (F)=

REF.	LEV.	PART NO.	DESCRIPTION	QTY	I	P	U	A	R
				(A)(B)(C)(D)(E)(F)					
1	.	135210-61090	LEAD	1					
2	.	129327-66000	HANDLE ASSY, REGULAT	1					
3	..	22322-030200	TAPER PIN 3X20	1					
4	..	24311-000070	O-RING 1A P7	1					
5	.	121450-66010	SPRING, REGULATOR	1					
6	.	121450-66180	LEVER, ASSY LIMIT	1					
7	.. X	121450-66161	LEVER, LIMIT FUEL OI	1					
8	..	121450-66170	BUSH, GOV. SHAFT	1					
9	..	22312-030080	PARALLEL PIN 3X 8	1					
10	.	129327-66200	SUPPORT, ACCELE. WIR	1					
11	.	124550-66370	LOCK NUT	1					
12	.	121454-66420	ADJUSTER	1					
13	.	121567-66551	CONTROLLER ASSY	1					
14	.	104104-67300	SPRING, RETURN	1					
15	.	22137-080000	WASHER 8	1					
16	.	22272-000060	CIRCLIP E- 6	1					
17	.	22451-060000	WIRE 0.6	1					
18	.	26106-080122	BOLT M 8X 12 PLATED	2					
19	.	26687-120002	CAP NUT M12	1					
20	.	26776-120002	LOCK NUT M12 PLATED	1					
21	.	43400-500450	PACKING	2					



ELECTRIC EQUIPMENT



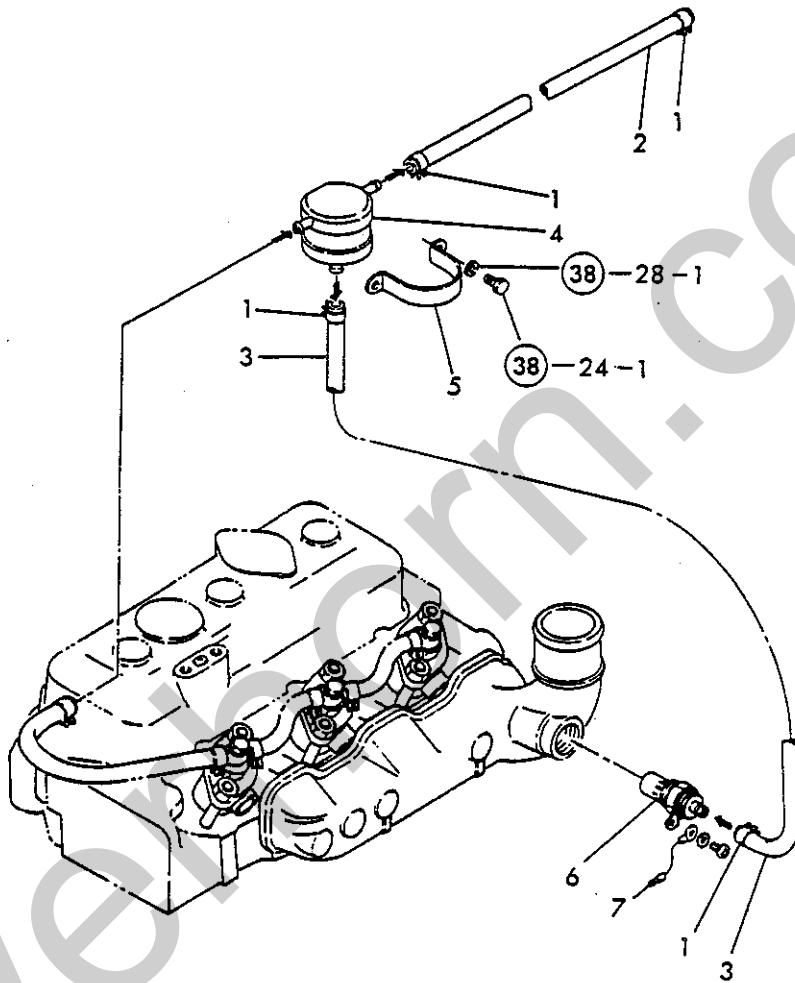
ELECTRIC EQUIPMENT

(A)=3T75H-LTBS (D)=
 (B)= (E)=
 (C)= (F)=

REF.	LEV.	PART NO.	DESCRIPTION	Q'TY (A) (B) (C) (D) (E) (F)					
				(A)	(B)	(C)	(D)	(E)	(F)
1	.	124250-77012	STARTER (S12-77)	1					
2	.	124550-77030	COVER, TERMINAL	1					
3	.	121522-77101	RELAY	1					
4	.	121450-77200	GENERATOR	1					
5	.	121521-77330	ADJUSTER, BELT	1					
6	.	121522-77712	LIMITER	1					
7	.	121522-77721	INDICATOR, CHARGING	1					
8	.	26014-080252	BOLT M 8X 25	1					

Silverhorn.CO.UK

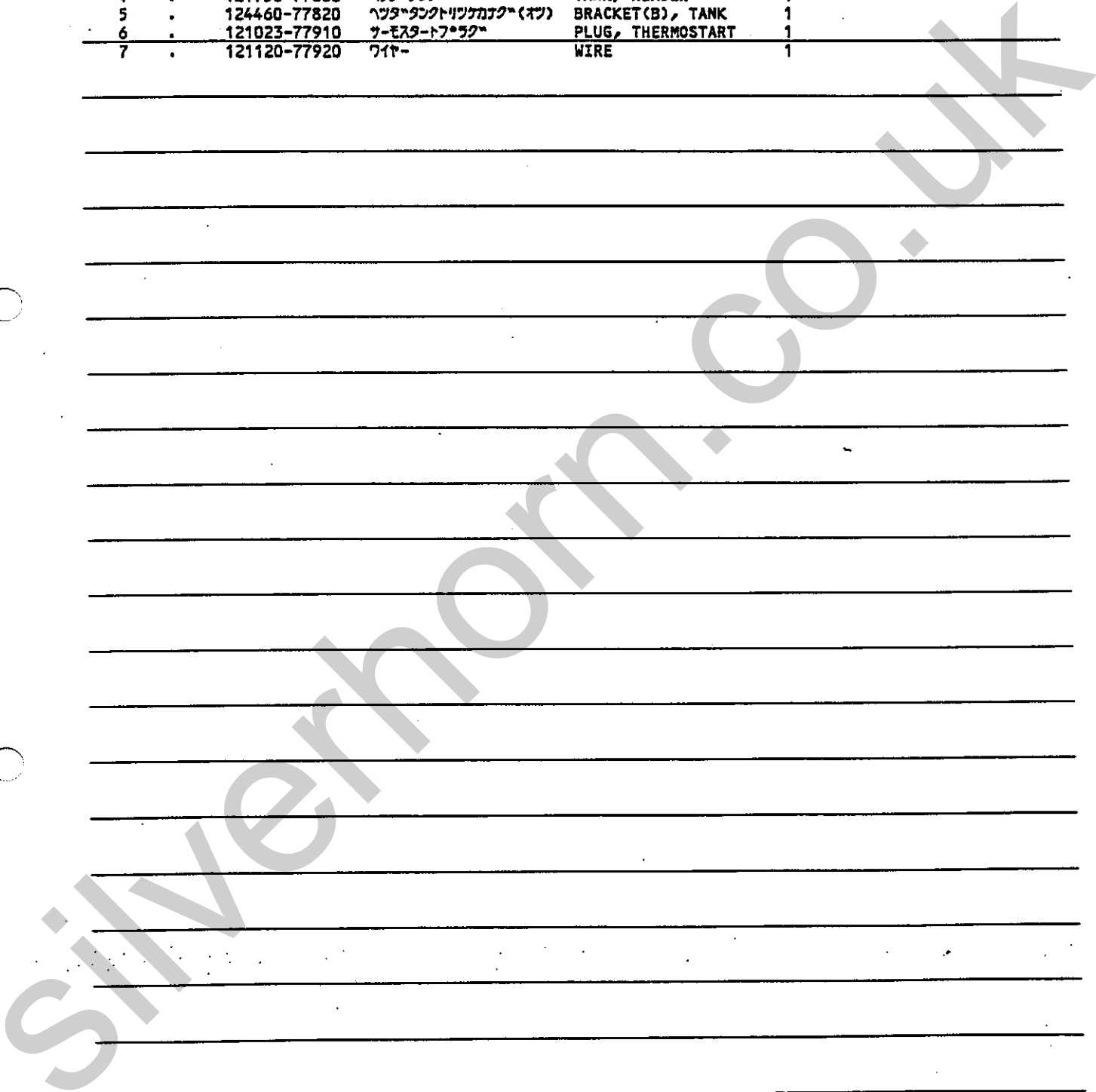
THERMOSTART DEVICE



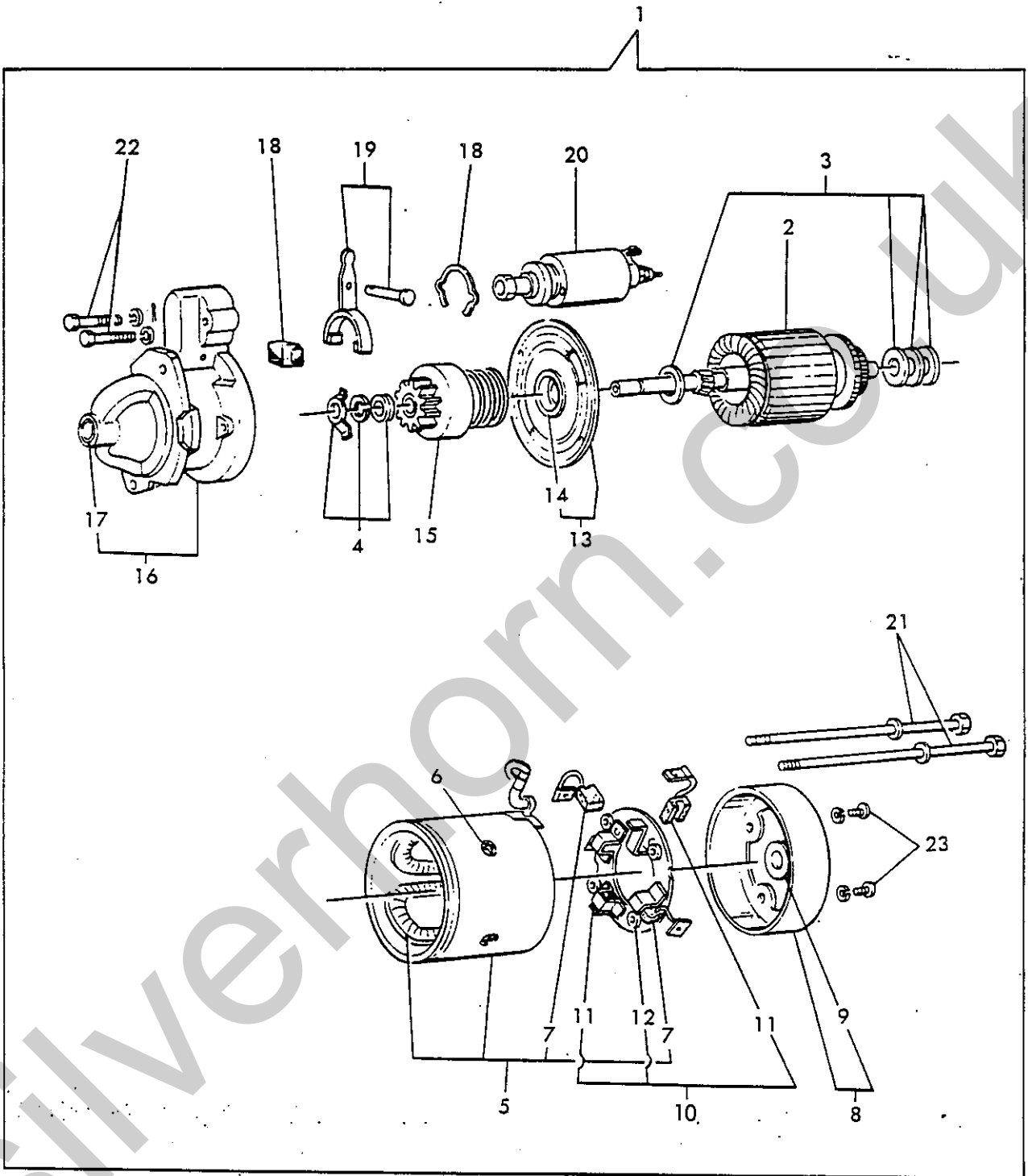
THERMOSTART DEVICE

(A)=3T75H-LTBS (D)=
 (B)= (E)=
 (C)= (F)=

REF.	LEV.	PART NO.	DESCRIPTION	Q'TY (A) (B) (C) (D) (E) (F)					
				(A)	(B)	(C)	(D)	(E)	(F)
1	.	124060-77680	CLAMP	4					
2	.	129334-77710	PIPE, FUEL	1					
3	.	129334-77710	PIPE, FUEL	1					
4	.	121750-77800	TANK, HEADER	1					
5	.	124460-77820	BRACKET(B), TANK	1					
6	.	121023-77910	PLUG, THERMOSTART	1					
7	.	121120-77920	WIRE	1					



STARTING MOTER (COMPONENT PARTS)

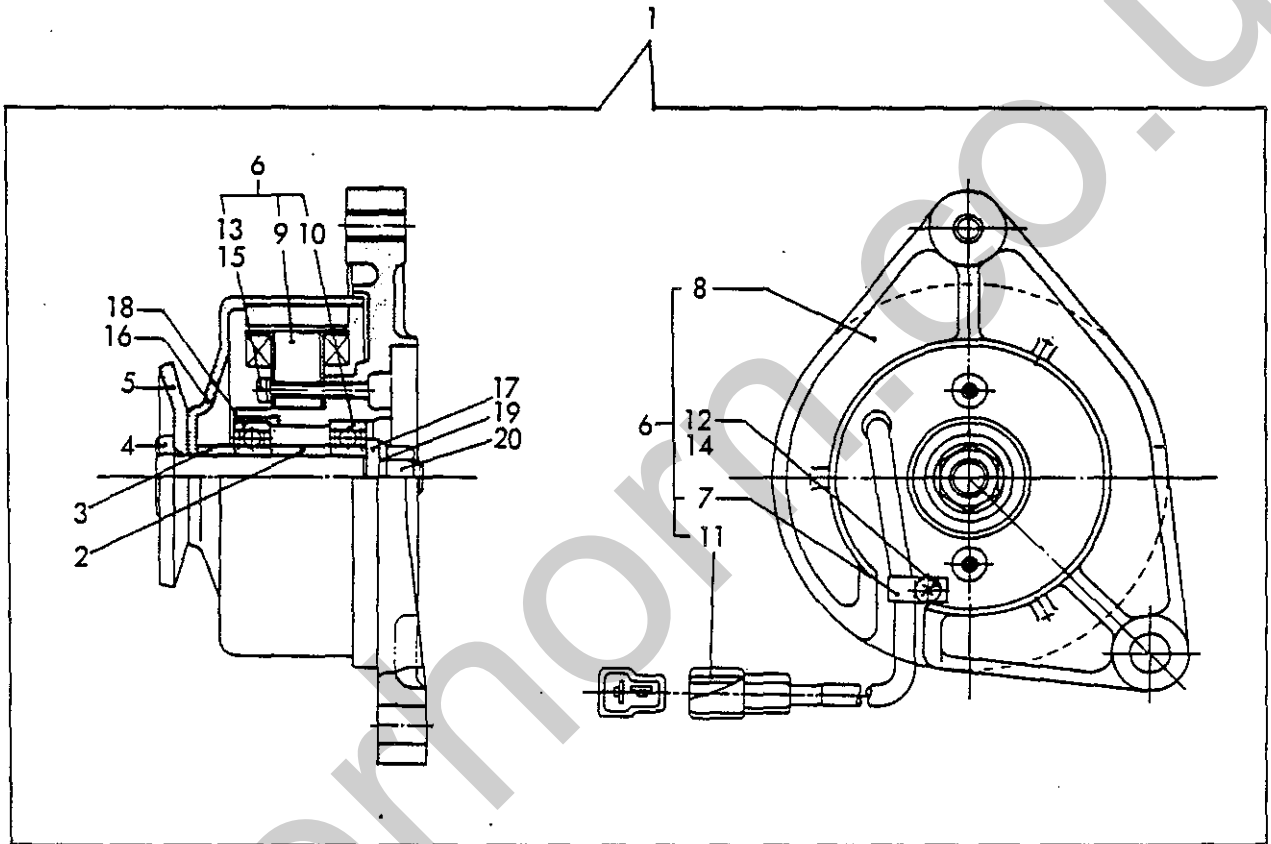


STARTER COMPONENT PARTS

(A)=3T75H-LTBS (D)=
 (B)= (E)=
 (C)= (F)=

ミタシ REF.	レベル LEV.	7"シハ"ン"ン"ン" PART NO.	7"シハ"ン"ン" DESCRIPTION	DESCRIPTION	----Q'TY(コソク)---- (A)(B)(C)(D)(E)(F)	I P/U A R
1	.	124250-77012	シラセ-タ-(S12-77A)	STARTER (S12-77)	1	
2	..	X21207100	ア-マチヤ シクミ	ARMATURE ASSY	1	
3	..	X21201115	ワツシヤ セツト, スラスト	WASHER SET, THRUST	1	
4	..	X21201110	ストッパ- セツト	STOPPER SET	1	
5	..	X21204259	コイル シクミ	COIL ASSY	1	
6	...	X21142215	スクリュ	SCREW	4	
7	...	X21209311	ブラシ	BRUSH (+)	2	
8	..	X22501300	カバ-	COVER ASSY, REAR	1	
9	...	X21204302	メタル, カバ- 7"ア"ン"ク"	METAL, COVER BEARING	1	
10	..	X21205310	ホルダ-	HOLDER ASSY, BRUSH	1	
11	...	X21207312	ブラシ	BRUSH	2	
12	...	X21201313	スプリング, ブラシ	SPRING, BRUSH	4	
13	..	X21205400	7"ア"ン"ク" シクミ	BEARING ASSY	1	
14	...	X21204401	メタル, センタ- 7"ア"ン"ク"	METAL, CENTER BERG.	1	
15	..	X212045001	ピニオン シクミ	PINION ASSY	1	
16	..	X21205656	キヤサ-ア ASSY.	CASE ASSY, GEAR	1	
17	...	X21202601	メタル, キヤサ- ア-ア	METAL, GEAR CASE	1	
18	..	X21202602	カバ-	COVER SET	1	
19	..	X21201605	レバ-	LEVER SET	1	
20	..	X212037002	マグネツト スイツチ シクミ	SWITCH ASSY, MAGNET.	1	
21	..	X21204810	ボルト, スル-	BOLT, THROUGH	2	
22	..	X21145866	ボルト	BOLT	2	
23	..	X0630412	ボルト M4X12	BOLT M 4X 12	2	

GENERATOR (COMPONENT PARTS)

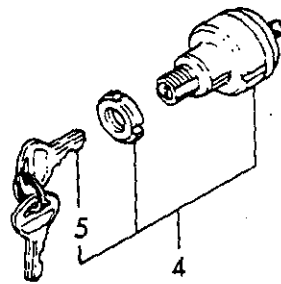
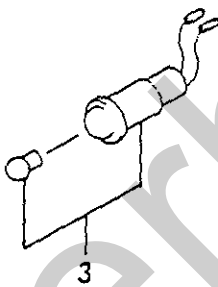
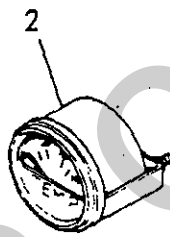
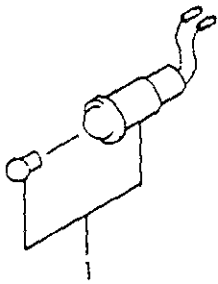


GENERATOR COMPONENT PARTS

(A)=3T75H-LTBS (D)=
 (B)= (E)=
 (C)= (F)=

ミタシ REF.	レベル LEV.	パルティクル PART NO.	アセンブリ NAME	DESCRIPTION	---Q'TY(コダ)---	I	P	U	A	R
					(A)(B)(C)(D)(E)(F)					
1	.	121450-77200	ジェネ (12V-180W)	GENERATOR	1					
2	..	XM329830000	カ-	COLLAR	1					
3	..	XM428020000	カ-	COLLAR	1					
4	..	XM429270000	シャフト	SHAFT	1					
5	..	XM429290000	プレート, フーリ-	PLATE, PULLEY	1					
6	..	XM514160000	プレート CMP	PLATE ASSY	1					
7	...	XM069000000	クランプ	CLAMP	1					
8	...	XM514170000	プレート	PLATE	1					
9	...	XM514180000	スターター	STATOR	1					
10	...	XM861240000	ボ-ル/ハ-アリンク	B.BEARING #6201ZZC3	1					
11	...	XM967170000	カップラー	COUPLER	1					
12	...	22217-040000	ハ-スプリング 4	SPRING WASHER 4	1					
13	...	22217-040000	ハ-スプリング 4	SPRING WASHER 4	2					
14	...	26557-040082	スクリュー (+ア) 4X 8	SCREW M 4X 8	1					
15	...	26557-040252	スクリュー (+ア) 4X25	SCREW M 4X 25	2					
16	..	XM622270000	フライホイール	FLYWHEEL	1					
17	..	XM860250000	ワッシャー 10	WASHER 10	1					
18	..	XM861240000	ボ-ル/ハ-アリンク	B.BEARING #6201ZZC3	1					
19	..	22217-100000	ハ-スプリング 10	SPRING WASHER 10	1					
20	..	26706-100002	ナット 10	NUT M10	1					

METER

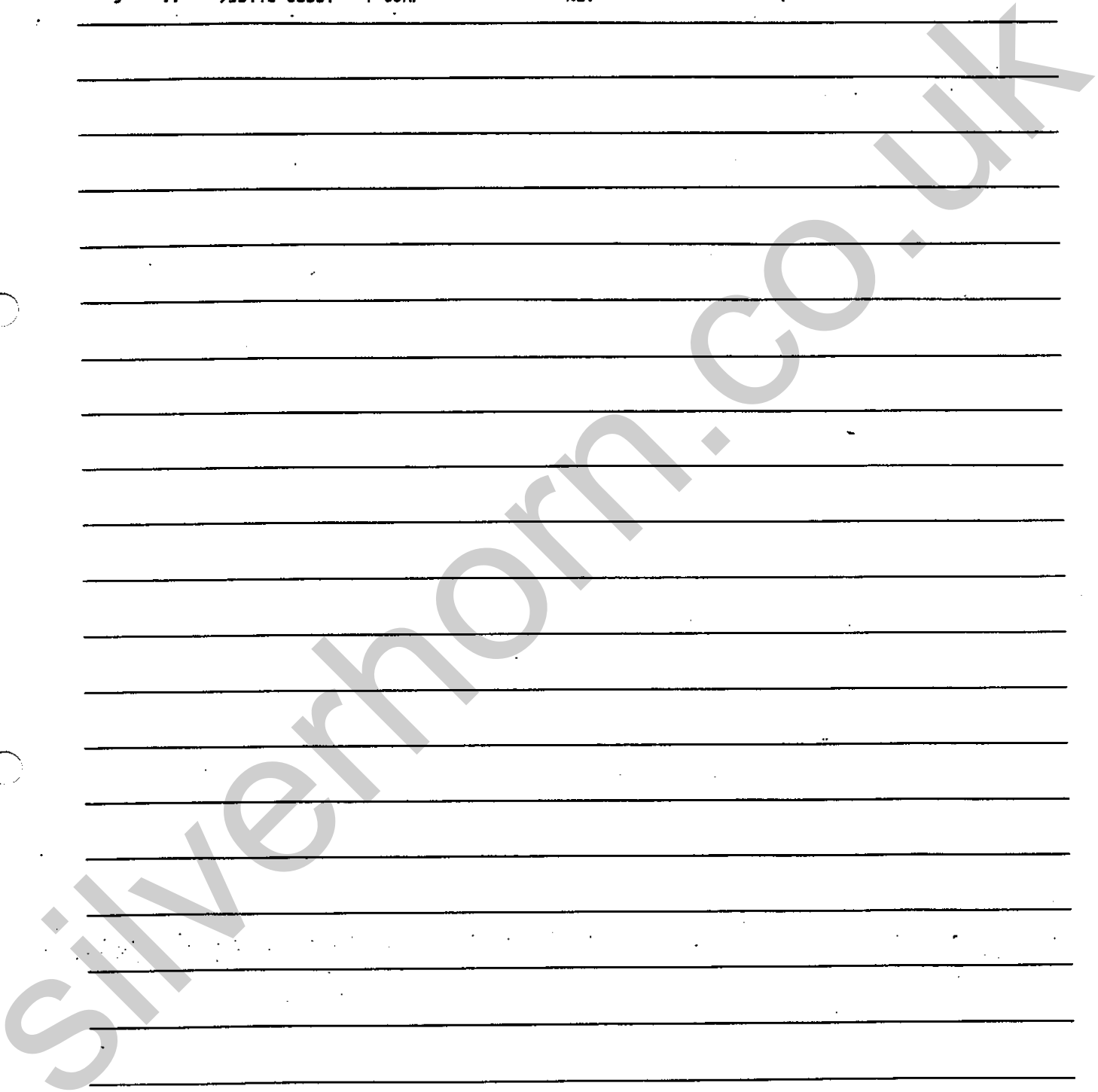


Silverhorn.co.uk

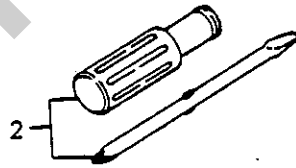
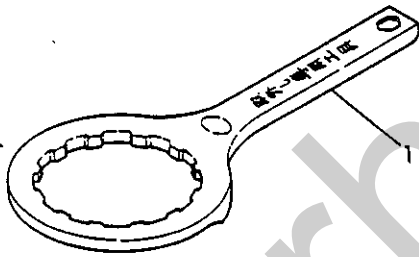
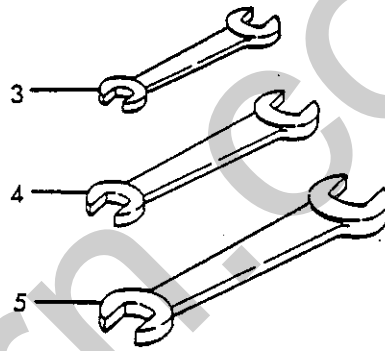
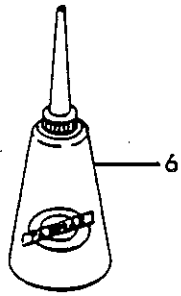
METER

(A)=3T75H-LTBS (D)=
 (B)= (E)=
 (C)= (F)=

REF.	LEV.	PART NO.	DESCRIPTION	Q'TY (A) (B) (C) (D) (E) (F)	I P/U A R
1	.	124732-77720	LAMP, CHARGING	1	
2	.	124732-77850	THERMOMETER	1	
3	.	124732-77970	LAMP, PILOT	1	
4	.	933110-00100	SWITCH ASSY, STARTER	1	
5	..	933110-00301	KEY	1	



TOOLS



Silverhorn.co.uk

TOOLS

(A)=3T75H-LTBS (D)=
 (B)= (E)=
 (C)= (F)=

REF.	LEV.	PART NO.	DESCRIPTION	Q'TY (A) (B) (C) (D) (E) (F)					
				(A)	(B)	(C)	(D)	(E)	(F)
1	.	124550-35350	REMOVER	1					
2	.	104200-92350	SCREWDRIVER	1					
3	.	28110-100120	WRENCH 10X12	1					
4	.	28110-140170	WRENCH 14X17	1					
5	.	28110-190220	WRENCH 19X22	1					
6	.	28210-000140	OIL FEEDER	1					

Silverhorn.CO.UK

Silverhorn.CO.UK

部品番号順索引表

PARTS INDEX

当パーツカタログに記載されている総ての部品を部品番号順（使用場所別）に収録してあります。

部品番号により目的の部品がどの部分に使用されているかを知る場合にご活用下さい。

All parts covered by this Parts Catalog have been mentioned here in order of Part No. (according to usage location).
Please utilize this Index to learn where a part in interest is used in reference to Part No.

Silverhorn.CO.UK

部品番号順索引表

PARTS INDEX

当パーツカタログに記載されている総ての部品を部品番号順（使用場所別）に収録してあります。

部品番号により目的の部品がどの部分に使用されているかを知る場合にご活用下さい。

All parts covered by this Parts Catalog have been mentioned here in order of Part No. (according to usage location).

Please utilize this Index to learn where a part in interest is used in reference to Part No.

Silverhorn.CO.UK

(MF NO.Y00K2031)

↑-----↑
↑ 2J01 ↑
↑-----↑

*** PARTS INDEX ***

86.10.17

P. 1

PC NO.	DESCRIPTION	GRP.	REF.	LOC.NO.	PC NO.	DESCRIPTION	GRP.	REF.	LOC.NO.
E0001030144	ピン	5	2	1B06	E0001900059	ピン シャフト	9	11	1B10
E0001035125	ピン, BUCKET CYL.HEAD	48	26	1E03			10	11	1B11
		49	26	1E04			11	12	1B12
		50	26	1E05	E0001900086	ピン, CYLINDER HEAD	9	14	1B10
		51	26	1E06			12	12	1B13
E0001040106	ピン	5	3	1B06			10	14	1B11
E0001040138	ピン, BOOM CYL.HEAD	48	6	1E03	E0001900122	ピン, CYL. ROD	11	14	1B12
		49	6	1E04			12	14	1B13
		50	6	1E05	E0001900123	ピン, CYL. ROD	11	15	1B12
		51	6	1E06			12	15	1B13
E0001040161	ピン	48	7	1E03	E0002100001	ブッシュ	48	31	1E03
		49	7	1E04			49	31	1E04
		50	7	1E05			50	31	1E05
		51	7	1E06			51	31	1E06
E0001335111	ピン	97	17	1H05			97	12	1H05
		98	17	1H06			98	12	1H06
		50		1H06	E0002100003	ブッシュ	48	24	1E03
E0001335206	ピン, BUCKET	48	28	1E03			49	32	1E03
		49	28	1E04			49	24	1E04
		50	28	1E05			50	24	1E05
		51	28	1E06			50	24	1E05
		97	16	1H05			51	24	1E06
		98	16	1H06			51	24	1E06
		49		1H06			97	11	1H05
E0001340125	ピン	48	25	1E03			98	11	1H06
		49	25	1E04	E0002100005	ブッシュ	97	8	1H06
		50	25	1E05			97	8	1H05
		51	25	1E06			98	8	1H06
E0001404005	ピン	48	8	1E03	E0002100006	ブッシュ	97	15	1H05
		49	8	1E04			98	15	1H06
		50	8	1E05			98	15	1H06
		51	8	1E06			48	23	1E03
E0001900010	ピン, BUCKET CYL.ROD	48	27	1E03	E0002340124	ブッシュ	48	23	1E03
		49	27	1E04			49	23	1E04
		50	27	1E05			50	23	1E05
		51	27	1E06			51	23	1E06
		97	16	1H05	E0002355070	ブッシュ	9	15	1B10
E0001900051	ピン	48	9	1E03			10	15	1B11
		49	9	1E04			11	16	1B12
		50	9	1E05			12	16	1B13
		51	9	1E06	E0002440040	ブッシュ	48	3	1E03

(NF NO.Y00K2031)

-----+
| 2J03 |
-----+

*** PARTS INDEX ***

86.10.17

P. 3

PC NO.	DESCRIPTION	PC NO.	GRP.	REF.	LOC. NO.	PC NO.	DESCRIPTION	PC NO.	GRP.	REF.	LOC. NO.
E0003036010	COLLAR	Y00K2031	8	4	1809	E0003040005	COLLAR	Y00K2031	49	15	1E04
	COLLAR						COLLAR		50	15	1E05
E0003040000	COLLAR, PIN	Y00K2031	5	10	1806	E0003500007	COLLAR, MEDDLE	Y00K2031	51	15	1E06
			6	10	1807				48	4	1E03
			11	23	1812				49	4	1E04
			12	23	1813				50	4	1E05
			48	10	1E03				51	4	1E06
			49	10	1E04	E0003600003	WASHER	Y00K2031	37	26	1E06
			50	10	1E05	E0003600020	WASHER	Y00K2031	23	15	1E08
E0003040001	COLLAR 1.6T	Y00K2031	5	11	1806						
			6	11	1807				24	15	1E09
			11	24	1812				39	25	1E08
			12	24	1813				40	26	1E09
			48	11	1E03				41	25	1E10
			49	11	1E04				42	25	1E11
			50	11	1E05				43	25	1E12
			51	11	1E06	E0003600025	WASHER	Y00K2031	44	25	1E13
E0003040002	COLLAR, PIN 2.3T	Y00K2031	5	12	1806				21	6	1E06
			6	12	1807				22	6	1E07
			11	25	1812				38	20	1E07
			12	25	1813				39	26	1E08
			48	12	1E03				40	27	1E09
			49	12	1E04				41	26	1E10
			50	12	1E05				42	26	1E11
			51	12	1E06				43	26	1E12
E0003040003	COLLAR	Y00K2031	5	13	1806	E0003600026	WASHER	Y00K2031	44	26	1E13
			6	13	1807				23	17	1E08
			11	26	1812				24	17	1E09
			12	26	1813	E0003600033	WASHER	Y00K2031	45	14	1E14
			48	13	1E03				46	85	1E16
			49	13	1E04						
			50	13	1E05	E0003608003	WASHER	Y00K2031	47	85	1E02
			51	13	1E06				9	4	1E10
E0003040004	COLLAR, PIN T=4.0	Y00K2031	5	14	1806						
			6	14	1807				10	4	1E11
			11	27	1812				11	5	1E12
			12	27	1813				12	5	1E13
			48	14	1E03				39	24	1E08
			49	14	1E04				40	25	1E09
			50	14	1E05				41	24	1E10
			51	14	1E06				42	24	1E11
E0003040005	COLLAR	Y00K2031	5	15	1806	E0003609425	WASHER	Y00K2031	43	24	1E12
			6	15	1807				44	24	1E13
			11	28	1812				15	18	1E16
			12	28	1813				17	15	1E02
			48	15	1E03	E0003612004	WASHER	Y00K2031	82	20	1E06
									83	27	1E07
									14	16	1E15

7777777777 PART NO.	7777777777 DESCRIPTION	PC NO.	7777777777 GRP.	7777777777 REF.	7777777777 LOC. NO.	7777777777 PART NO.	7777777777 DESCRIPTION	PC NO.	7777777777 GRP.	7777777777 REF.	7777777777 LOC. NO.
E0003612004	WASHER 7777777777	Y00K2031	16	24	1C01	E0005008100	ROD	Y00K2031	20	13	1C05
			18	22	1C03	E0005008115	ROD	Y00K2031	13	15	1B14
E0003618004	WASHER 7777777777	Y00K2031	46	18	1D15						
			47	18	1E01				17	20	1C02
E0003635505	COLLAR 7777777777	Y00K2031	8	6	1B09				81	17	1G05
E0003636002	WASHER 7777777777	Y00K2031	3	5	1B04	E0005008150	ROD	Y00K2031	83	31	1G07
			78	17	1G02				16	19	1C01
			79	17	1G03	E0005008160	ROD	Y00K2031	18	17	1C03
E0003900013	WASHER 7777777777	Y00K2031	48	18	1E03				13	14	1B14
			49	18	1E04				17	19	1C02
			50	18	1E05	E0005008170	ROD	Y00K2031	81	16	1G05
			51	18	1E06				83	30	1G07
E0004000001	PIN 7777777777	Y00K2031	39	23	1D08	E0005008210	ROD	Y00K2031	20	12	1C05
			40	24	1D09				19	8	1C04
			41	22	1D10	E0005008250	ROD	Y00K2031	21	22	1C06
			42	22	1D11						
			43	23	1D12	E0005008300	ROD	Y00K2031	22	22	1C07
			44	22	1D13				14	12	1B15
E0004005117	PIN, LEVER 7777777777	Y00K2031	13	16	1B14	E0005008320	ROD	Y00K2031	81	6	1G05
			14	15	1B15						
			15	25	1B16	E0005008350	ROD	Y00K2031	14	13	1B15
			16	23	1C01						
			17	21	1C02	E0005008370	ROD	Y00K2031	17	18	1C02
			18	20	1C03				13	13	1B14
			19	10	1C04						
			20	15	1C05				15	24	1B16
			21	27	1C06				21	23	1C06
			22	31	1C07	E0005008375	ROD	Y00K2031	82	26	1G06
			81	18	1G05				18	18	1C03
			82	27	1G06	E0005008385	ROD	Y00K2031	22	23	1C07
			83	32	1G07						
E0004108025	PIN 7777777777	Y00K2031	46	28	1D15	E0005008410	ROD	Y00K2031	13	35	1B14
			47	28	1E01						
E0004206091	SHAFT, LEVER 7777777777	Y00K2031	41	41	1D10				17	45	1C02
			42	41	1D11	E0005008445	ROD	Y00K2031	10	19	1C03
			44	41	1D13				83	54	1G07
E0004208075	SHAFT, LEVER 7777777777	Y00K2031	38	6	1D07	E0005009400	ROD	Y00K2031	16	22	1C01
E0004200009	PIN 7777777777	Y00K2031	19	4	1C04	E0005009445	ROD	Y00K2031	14	11	1B15
			20	14	1C05				16	21	1C01
E0005008075	ROD 7777777777	Y00K2031	16	18	1C01	E0005009530	ROD	Y00K2031	16	20	1C01
			18	16	1C03	E0005005032	YOKE	Y00K2031	13	11	1B14
E0005008100	ROD 7777777777	Y00K2031	19	9	1C04				16	13	1C01

(MF NO. Y00K2031)

-----+
| 2J05 |
-----+

*** フォークリフト用各部品の索引表 PARTS INDEX ***

86.10.17

P. 5

フォークリフト用 PART NO.	フォークリフト DESCRIPTION	PC NO.	組立 GRP.	参照 REF.	位置 LOC. NO.	フォークリフト用 PART NO.	フォークリフト DESCRIPTION	PC NO.	組立 GRP.	参照 REF.	位置 LOC. NO.
E0005505032	YOKE ヨーク	Y00K2031	17	17	1C02	E0007300030	クランプ CLAMP	Y00K2031	95	25	1H03
			18	11	1C03				96	22	1H04
			81	14	1G05	E0007300031	クランプ CLAMP	Y00K2031	32	13	1D01
			83	29	1G07						
E0007000001	コイル SPRING	Y00K2031	25	25	1C10				33	14	1D02
E0007000029	スプリング SPRING	Y00K2031	15	19	1B16	E0007900002	ボルト BOLT	Y00K2031	25	35	1C10
										44	1C10
			17	16	1C02	E0007900009	パイプ PIPE	Y00K2031	59	16	1E14
			82	21	1G06						
			83	28	1G07	E0007900014	ブーツ BOOT	Y00K2031	25	47	1C10
E0007000030	スプリング SPRING	Y00K2031	39	16	1D08	E0007900016	ピン PIN	Y00K2031	25	41	1C10
			40	17	1D09						
			41	15	1D10	E0009101045	パイプ NIPPLE, PIPE	Y00K2031	29	1	1C14
			42	15	1D11						
			43	16	1D12	E0009101090	パイプ NIPPLE, PIPE	Y00K2031	28	8	1C13
			44	15	1D13						
E0007000031	スプリング SPRING	Y00K2031	37	8	1D06	E0009900001	ホース NIPPLE, HOSE	Y00K2031	88	21	1G12
E0007200026	ホース NIPPLE, HOSE	Y00K2031	32	2	1D01	E0009900009	ホース NIPPLE, HOSE	Y00K2031	30	7	1C15
			33	2	1D02				31	4	1C16
E0007200042	エルボ ELBOW, LONG	Y00K2031	34	3	1D03				37	22	1D06
									88	4	1G12
			35	13	1D04	E0064110100	ワイヤ WIRE	Y00K2031	25	46	1C10
			89	2	1G13						
E0007200054	エルボ ELBOW, LONG	Y00K2031	30	8	1C15	E0064242200	ワイヤ WIRE	Y00K2031	46	47	1D15
			34	2	1D03				47	47	1E01
			35	12	1D04	E0069337100	ヤンマー YANMAR MARK	Y00K2031	55	11	1E10
			89	1	1G13						
E0007200087	プラグ PLUG	Y00K2031	8	14	1B09					33	1E10
E0007200088	フィッティング FITTINGS	Y00K2031	8	13	1B09	E0081400100	アイドル IDLER, FRONT	Y00K2031	56	11	1E11
E0007200090	バルブ VALVE, DRAIN	Y00K2031	38	11	1D07				78	14	1G02
E0007200097	コネクタ CONNECTOR	Y00K2031	30	4	1C15	E0083267100	スリーブ SLEEVE	Y00K2031	79	14	1G03
E0007200098	コネクタ CONNECTOR	Y00K2031	30	5	1C15				16	17	1C01
E0007200150	コネクタ CONNECTOR	Y00K2031	31	2	1C16	E0086202000	バケツ BUCKET (450)	Y00K2031	18	15	1C03
						E00862020108	バケツ BUCKET ASSY W350	Y00K2031	52	1	1E07
			88	2	1G12						
E0007212015	ブッシュ BUSH	Y00K2031	31	7	1C16				94	4	1H02
									15	7	1H02
									26	7	1H02
E0007300006	クランプ CLAMP	Y00K2031	23	25	1C08	E0086203000	バケツ BUCKET (250)	Y00K2031	94	1	1H02
			24	25	1C09	E0086208000	バケツ BUCKET ASSY W350	Y00K2031	94	23	1H02
E0007300026	クランプ CLAMP	Y00K2031	96	23	1H04	E0086212000	バケツ BUCKET ASSY W350	Y00K2031	94	12	1H02

PART NO.	DESCRIPTION	PC NO.	GRP.	REF.	LOC. NO.	PART NO.	DESCRIPTION	PC NO.	GRP.	REF.	LOC. NO.
E0086213000	BUCKET (300) BUCKET ASS'Y, 500	Y00K2031	94	34	1B02	E0091632100	SPROCKET DRIVE	Y00K2031	4	2	1B05
E0087030400	BUCKET (500) GUARD, HOSE	Y00K2031	32	4	1B01	E0091635100	SPROCKET	Y00K2031	78	26	1G02
E0091023100	COVER (R), MOTOR	Y00K2031	33	4	1B02	E0092133100	LOCKER	Y00K2031	79	26	1G03
E0091023200	COVER (L), MOTOR	Y00K2031	1	4	1B02	E0092213100	LOCK PIN	Y00K2031	1	17	1B02
E0091023300	SLIDE	Y00K2031	1	5	1B02	E0092310200	PINION, TURNING	Y00K2031	9	2	1B10
E0091026000	CRAWLER ASSY, RUBBER	Y00K2031	1	3	1B02	E0092310400	COUPLING	Y00K2031	10	2	1B11
E0091026800	SLIDE, SHOE	Y00K2031	79	1	1G03	E0092331200	COVER, GREASE	Y00K2031	8	3	1B09
E0091027100	GUIDE, SHOE	Y00K2031	79	3	1G03	E0092390020	REDUCTION GEAR ASSY	Y00K2031	8	1	1B09
E0091030100	FRAME, LOWER	Y00K2031	1	6	1B02	E0093056000	MAIN FRAME	Y00K2031	9	1	1B10
E0091031100	FRAME, LOWER	Y00K2031	1	1	1B02	E0093058100	MAIN FRAME	Y00K2031	10	1	1B11
E0091090001	SHAFT	Y00K2031	78	2	1G02	E0093111300	WASHER	Y00K2031	11	1	1B12
E0091302200	SHAFT	Y00K2031	78	7	1G02	E009311300	WASHER	Y00K2031	12	1	1B13
E0091303300	ROLLER, TRUCK	Y00K2031	79	7	1G03	E0093147100	BRACKET, BOOM	Y00K2031	9	12	1B10
E0091390000	ROLLER ASSY, TRUCK	Y00K2031	78	6	1G02	E0093148100	COVER, SWING CYL.	Y00K2031	10	12	1B11
E0091403100	BLOCK (R), BEARING	Y00K2031	79	6	1G03	E0093208300	WASHER	Y00K2031	11	13	1B12
E0091403200	BLOCK (L), BEARING	Y00K2031	78	5	1G02	E0093270900	YOKE	Y00K2031	12	13	1B13
E0091404100	BEARING BLOCK (R)	Y00K2031	79	6	1G03	E0094021100	FOOT, ENGINE	Y00K2031	11	11	1B12
E0091404200	BEARING BLOCK (L)	Y00K2031	78	5	1G02	E0094021700	COVER, ABSORBER	Y00K2031	12	11	1B13
E0091490010	IDLER ASSY, FRONT	Y00K2031	79	23	1G03	E0094022200	CUSHION ASSY	Y00K2031	13	40	1B14
E0091500100	SEAT, SPRING	Y00K2031	78	24	1G02				14	35	1B15
E0091500300	PIPE	Y00K2031	79	24	1G03				15	55	1B16
E0091502100	ROD	Y00K2031	79	24	1G03				17	48	1C02
E0091590000	CUSHION ASSY	Y00K2031	3	12	1B04				19	29	1C04
			3	13	1B04				81	36	1G05
			3	25	1B04				82	52	1G06
			3	23	1B04				83	57	1G07
									19	7	1C04
									20	10	1C05
									21	26	1C06
									22	24	1C07
									23	1	1C08
									23	9	1C08
									24	9	1C09
									23	3	1C08

(MF NO. Y00K2031)

↑-----↑
↑ 2J07 ↑
↑-----↑

*** PARTS INDEX ***

86.10.17

P. 7

PART NO.	DESCRIPTION	PC NO.	GRP.	REF.	LOC. NO.	PART NO.	DESCRIPTION	PC NO.	GRP.	REF.	LOC. NO.
E0094026100	FOOT, ENGINE RL エンジンフット RR ENGINE FOOT(RR)	Y00K2031	23	2	1C08	E0094590010	E-2-ASSY HEATER ASSY	Y00K2031	96	1	1H04
						E0094590011	77022-ASSY DEFROSTER ASSY	Y00K2031	96	14	1H04
E0094026200	ラジエタ-ブラケット BRACKET, RADIATOR	Y00K2031	23	7	1C08	E0095053100	トッパ PLATE	Y00K2031	30	1	1C15
E0094026300	ラジエタ-ブラケット BRACKET, RADIATOR	Y00K2031	23	8	1C08	E0096053200	カバー COVER, ROD	Y00K2031	51	42	1E06
E0094026400	フィルタ-ブラケット BRACKET, FILTER	Y00K2031	38	34	1D07	E0096055100	プロテクタ PROTECTOR	Y00K2031	51	41	1E06
E0094026500	エンジンフット FOOT, ENGINE	Y00K2031	23	1-1	1C08	E0096090030	メイン-6 ASSY BOOM ASSY, MAIN	Y00K2031	48	1	1E03
									49	1	1E04
E0094027100	ラジエタ-ブラケット BRACKET, RADIATOR	Y00K2031	24	7	1C09	E0096090040	メイン-6 ASSY BOOM ASSY, MAIN	Y00K2031	50	1	1E05
E0094027300	エンジンフット RL ENGINE FOOT RL	Y00K2031	24	3	1C09	E0096132500	ロック-プレート (R) PLATE, LOCKER (R)	Y00K2031	51	1	1E06
E0094027400	ラジエタ-ブラケット BRACKET, RADIATOR	Y00K2031	24	8	1C09				48	33	1E03
E0094027600	プレート PLATE	Y00K2031	24	31	1C09				49	33	1E04
									50	33	1E05
									51	33	1E06
E0094290030	ワイヤ-ハ-3 ASSY WIRE HARNESS ASSY	Y00K2031	26	1	1C11	E0096132600	ロック-プレート (L) PLATE, LOCKER (L)	Y00K2031	48	34	1E03
E0094290040	ワイヤ-ハ-3 ASSY WIRE HARNESS ASSY	Y00K2031	26	1-1	1C11				49	34	1E04
E0094290050	ワイヤ-ハ-3 ASSY WIRE HARNESS ASSY	Y00K2031	27	1	1C12				50	34	1E05
E0094290070	ワイヤ-ハ-3 ASSY WIRE HARNESS ASSY	Y00K2031	26	1-2	1C11	E0096190001	リンク-6 ASSY ARM ASSY, LINK	Y00K2031	51	34	1E06
E0094290080	ワイヤ-ハ-3 ASSY WIRE HARNESS ASSY	Y00K2031	26	1-3	1C11				48	29-1	1E03
									49	29-1	1E04
									50	29	1E05
									51	29	1E06
E0094374100	ステッカー STICKER	Y00K2031	25	4	1C10	E0096190010	スティック-6 ASSY BOOM ASSY, STICK	Y00K2031	48	21	1E03
E0094411300	ストリップ STRIP, RUBBER	Y00K2031	26	26	1C11				49	21	1E04
									50	21	1E05
E0094420100	プレート PLATE	Y00K2031	27	26	1C12	E0096190020	アーム ASSY ARM ASSY	Y00K2031	51	21	1E06
									50	23	1C11
E0094501100	E-2-カバー COVER, HEATER	Y00K2031	95	2	1H03	E0096234000	バケット ASSY W350 BUCKET ASSY, EJECTOR	Y00K2031	97	1	1H05
E0094501200	77022-DEFROSTER	Y00K2031	95	22	1H03	E0096236000	バケット ASSY W350 BUCKET ASSY, EJECTOR	Y00K2031	97	1-1	1H05
E0094502100	ブラケット L BRACKET, (L)	Y00K2031	96	30	1H04	E0096237000	バケット ASSY 280W BUCKET ASSY, EJECTOR	Y00K2031	98	34	1H06
E0094502200	ブラケット R BRACKET, (R)	Y00K2031	96	29	1H04	E0096290012	リンク-6 ASSY ARM ASSY, LINK	Y00K2031	98	1	1H06
E0094502300	ジョイント JOINT	Y00K2031	96	28	1H04				97	9-1	1H05
E0094590000	E-2-ASSY HEATER ASSY	Y00K2031	95	1	1H03	E0096290030	EJECTOR ASSY	Y00K2031	98	6	1H06
E0094590001	77022-ASSY DEFROSTER ASSY	Y00K2031	95	17	1H03	E0096321100	ブレード BLADE	Y00K2031	5	1	1B06
						E0096325100	ブレード BLADE	Y00K2031	6	1	1B07

7777777777 PART NO.	7777777777 DESCRIPTION	PC NO.	7777777777 GRP.	7777777777 REF.	7777777777 LOC.NO.	7777777777 PART NO.	7777777777 DESCRIPTION	PC NO.	7777777777 GRP.	7777777777 REF.	7777777777 LOC.NO.
E0097022400	ホ-カホ-ト GUARD, HOSE	Y00K2031	33	3	1002	E0097221600	ホ-カホ-ト (L) PIPE (L)	Y00K2031	7	4	1008
E0097052100	ホ-カホ-ト PIPE, INLET	Y00K2031	32	1	1001	E0097341800	ホ-カホ-ト CLAMP	Y00K2031	53	5	1008
E0097052700	ホ-カホ-ト GUARD, HOSE	Y00K2031	32	3	1001				54	12	1009
E0097053200	コ-コ- CONNECTOR	Y00K2031	32	5	1001	E0097348100	ホ-カホ-ト (L) PIPE, STICK (R)	Y00K2031	53	1	1008
E0097058100	マ-ホ-ト MANIFOLD	Y00K2031	33	5	1002	E0097348200	ホ-カホ-ト (L) PIPE, STICK (L)	Y00K2031	53	2	1008
E0097058200	マ-ホ-ト MANIFOLD	Y00K2031	34	1	1003	E0097348300	ホ-カホ-ト (L) PIPE, BUCKET (R)	Y00K2031	53	3	1008
E0097062100	ホ-カホ-ト CLAMP, PIPE	Y00K2031	34	4	1003	E0097348400	ホ-カホ-ト (L) PIPE, BUCKET (L)	Y00K2031	53	4	1008
E0097062300	ホ-カホ-ト CLAMP, PIPE	Y00K2031	35	1	1004	E0097351100	ホ-カホ-ト (L) PIPE, BUCKET (R)	Y00K2031	54	1	1009
E0097062400	ホ-カホ-ト PIPE	Y00K2031	35	3	1004	E0097351200	ホ-カホ-ト (L) PIPE, BUCKET (L)	Y00K2031	91	1	1015
E0097062700	ホ-カホ-ト PIPE	Y00K2031	90	3	1014	E0097351300	7-カホ-ト (R) PIPE, ARM (R)	Y00K2031	54	2	1009
E0097062800	ホ-カホ-ト PIPE	Y00K2031	90	4	1014	E0097351400	7-カホ-ト (L) PIPE, ARM (L)	Y00K2031	91	3	1015
E0097062900	ホ-カホ-ト PIPE	Y00K2031	90	7	1014	E0097351500	7-カホ-ト (R) PIPE, BOOM (R)	Y00K2031	54	4	1009
E0097063000	ホ-カホ-ト PIPE	Y00K2031	90	8	1014	E0097351600	7-カホ-ト (L) PIPE, BOOM (L)	Y00K2031	91	5	1015
E0097063100	ホ-カホ-ト PIPE	Y00K2031	90	9	1014	E0097351700	ホ-カホ-ト BOSS, MTG.	Y00K2031	54	6	1009
E0097064500	ホ-カホ-ト CLAMP, PIPE	Y00K2031	35	10	1004	E0097351800	ホ-カホ-ト PLATE, MTG.	Y00K2031	91	7	1015
E0097064600	ホ-カホ-ト PIPE	Y00K2031	90	2	1016	E0097351900	ホ-カホ-ト PIPE	Y00K2031	54	8	1009
E0097064700	ホ-カホ-ト PIPE	Y00K2031	90	5	1014	E0097353100	ホ-カホ-ト PIPE	Y00K2031	91	8	1015
E0097065100	ホ-カホ-ト PIPING	Y00K2031	35	6	1004	E0097353200	ホ-カホ-ト PIPE	Y00K2031	91	28	1015
E0097065200	ホ-カホ-ト PIPING	Y00K2031	90	6	1014	E0097353300	ホ-カホ-ト CLAMP	Y00K2031	91	29	1015
E0097210300	ホ-カホ-ト GUARD, HOSE	Y00K2031	90	10	1014	E0098027200	ホ-カホ-ト PIPE	Y00K2031	37	20	1006
E0097221500	ホ-カホ-ト (R) PIPE (R)	Y00K2031	26	35	1011	E0098027300	ホ-カホ-ト PIPE	Y00K2031	37	20-1	1006
			27	35	1012	E0098029100	ホ-カホ-ト PIPE	Y00K2031	37	21	1006
			95	4	1103	E0098090030	ホ-カホ-ト ASSY TANK ASSY, HYD. OIL	Y00K2031	37	1	1006
			96	4	1104	E0098090040	ホ-カホ-ト ASSY TANK ASSY, HYD. OIL	Y00K2031	37	2	1006

(MF NO. Y00K2031)

2J09

*** PARTS INDEX ***

86.10.17

P. 9

7"ע"י"ח PART NO.	7"ע"י"ח DESCRIPTION	PC NO.	7"ע"י"ח GRP.	7"ע"י"ח REF.	7"ע"י"ח LOC. NO.	7"ע"י"ח PART NO.	7"ע"י"ח DESCRIPTION	PC NO.	7"ע"י"ח GRP.	7"ע"י"ח REF.	7"ע"י"ח LOC. NO.
E0098134200	7"ע"י"ח STAY	Y00K2031	38	35	1007	E0098273900	7"ע"י"ח PLATE, STAGE	Y00K2031	40	8-1	1009
E0098190030	7"ע"י"ח FUEL OIL TANK ASSY	Y00K2031	38	1	1007				41	3	1010
E0098256700	7"ע"י"ח HOOK	Y00K2031	39	21	1008				42	3	1011
			40	22	1009	E0098274100	7"ע"י"ח CENTER COVER	Y00K2031	40	2	1009
			41	20	1010	E0098274200	7"ע"י"ח COVER, FLOOR	Y00K2031	40	4	1009
			42	20	1011	E0098274300	7"ע"י"ח COVER, TOOL BOX	Y00K2031	39	7	1008
E0098257000	7"ע"י"ח PLATE, NUT	Y00K2031	39	22	1008				43	3	1013
			40	23	1009				44	3	1013
			41	21	1010	E0098274400	7"ע"י"ח COVER	Y00K2031	40	2	1009
			42	21	1011				43	7	1012
			43	22	1012				40	11	1009
			44	21	1013				43	7	1012
E0098257300	7"ע"י"ח LINK, COVER	Y00K2031	39	15	1008				40	41	1009
			40	16	1009				41	23	1010
			43	15	1012	E0098274800	7"ע"י"ח COVER, ENGINE	Y00K2031	39	1-1	1008
E0098273100	7"ע"י"ח COVER, ENG.	Y00K2031	39	1	1008				42	23	1011
			40	6	1009				44	23	1013
			43	1	1012	E0098274900	7"ע"י"ח COVER, ENGINE	Y00K2031	39	1-1	1008
E0098273200	7"ע"י"ח COVER (FRONT), ENG.	Y00K2031	39	2	1008				40	15-1	1009
			40	6	1009	E0098277100	7"ע"י"ח CENTER COVER	Y00K2031	39	15-1	1008
			43	1	1012				40	15-1	1009
E0098273300	7"ע"י"ח UNDER COVER	Y00K2031	9	3	1010				43	14-1	1012
			40	7	1009				41	4	1010
			43	2	1012	E0098277400	7"ע"י"ח COVER (FRONT), ENG.	Y00K2031	41	2	1010
			10	3	1011				42	2	1011
			11	3	1012				44	2	1013
			12	3	1013	E0098277500	7"ע"י"ח COVER, ENG.	Y00K2031	41	1	1010
E0098273400	7"ע"י"ח PLATE, STAGE	Y00K2031	39	3	1008				41	1	1010
			40	8	1009				42	1	1011
			43	3	1012	E0098277600	7"ע"י"ח COVER, FLOOR	Y00K2031	41	1	1010
E0098273500	7"ע"י"ח CENTER COVER	Y00K2031	39	4	1008				44	1	1013
			40	8	1009				41	11	1010
			43	3	1012	E0098277700	7"ע"י"ח LINK, COVER	Y00K2031	41	14	1010
E0098273600	7"ע"י"ח COVER	Y00K2031	39	5	1008				42	11	1011
			40	9	1009				44	11	1013
			41	5	1010	E0098277800	7"ע"י"ח LINK, COVER	Y00K2031	41	13	1010
			42	5	1011				41	13	1010
			43	5	1012				42	13	1011
			44	5	1013	E0098277900	7"ע"י"ח UNDER COVER	Y00K2031	11	4	1012
E0098273800	7"ע"י"ח COVER, LINK	Y00K2031	39	14	1008				44	13	1013
			40	15	1009				11	4	1012
E0098273900	7"ע"י"ח PLATE, STAGE	Y00K2031	39	3-1	1008	E0098290001	7"ע"י"ח ASSY	Y00K2031	40	1	1009

PC NO.	DESCRIPTION	GRP.	REF.	LOC.NO.	PC NO.	DESCRIPTION	GRP.	REF.	LOC.NO.		
E0098446500	COVER ASSY	Y00K2031	45	10	1014	E0099390001	77"MEIHO"SUB LABEL SET	Y00K2031	55	35	1E10
E0099323000	HOOD YAMAHA-MARK LABEL, YANMAR	Y00K2031	55	12	1E10	E0099390011	77"MEIHO"SUB LABEL SET	Y00K2031	56	14	1E11
				34	1E10	E0099390051	77"MEIHO"SUB LABEL SET	Y00K2031	57	15	1E12
			56	12	1E11					43	1E12
			57	14	1E12	E0099390061	77"MEIHO"SUB LABEL SET	Y00K2031	58	17	1E13
				42	1E12						
E0099324100	77"MEIHO" LABEL, MODEL	Y00K2031	55	15	1E13	E0099390090	MEIHO"SUB LABEL SET (47"LC"	Y00K2031	55	1	1E10
			58	2	1E10	E0099390110	MEIHO"SUB LABEL SET	Y00K2031	56	1	1E11
E0099324200	77"MEIHO" B STRIPE(B)	Y00K2031	55	23	1E10	E0099390120	MEIHO"SUB LABEL SET (47"LC"	Y00K2031	55	22	1E10
				8	1E10						
				30	1E10	E0099390310	MEIHO"SUB LABEL SET (47"LC"-57"	Y00K2031	57	1	1E12
			56	8	1E11		LABEL SET, CANOPY	Y00K2031			
			57	10	1E12	E0099390320	MEIHO"SUB LABEL SET (47"LC"-57"	Y00K2031	57	28	1E12
				38	1E12		LABEL SET (CABIN SPEC				
E0099324300	77"MEIHO" C STRIPE(C)	Y00K2031	55	11	1E13	E0099390330	MEIHO"SUB LABEL SET	Y00K2031	58	1	1E13
				9	1E10						
				31	1E10	E0101013000	77"MEIHO"COVER, UNDER	Y00K2031	1	2	1B02
			56	9	1E11	E0101015100	E-77"MEIHO"-R COVER, MOTOR	Y00K2031	1	4-1	1B02
E0099325100	77"MEIHO" LABEL, MODEL	Y00K2031	56	2	1E11					5-1	1B02
E0099344200	77"MEIHO" A SIDE STRIPE A	Y00K2031	55	3	1E10	E0101311200	SHAFT	Y00K2031	2	3	1B03
				24	1E10	E0101311300	77"MEIHO"COVER, SEAL	Y00K2031	2	4	1B03
			56	3	1E11						
			57	5	1E12	E0101390000	TRUCK ROLLER ASSY	Y00K2031	2	1	1B03
				32	1E12						
			58	6	1E13	E0102211000	TRUCK ROLLER LOCK PIN	Y00K2031	11	2	1B12
E0099344400	77"MEIHO" C SIDE STRIPE C	Y00K2031	55	5	1E10						
				27	1E10	E0103112300	77"MEIHO"BRACKET, BOOM	Y00K2031	12	2	1B13
			56	5	1E11				9	10	1B10
			57	7	1E12						
				35	1E12	E0103113100	77"MEIHO"COVER, CYL.	Y00K2031	10	10	1B11
			58	8	1E13				10	28	1B11
E0099350100	77"MEIHO" LABEL, MODEL	Y00K2031	57	2	1E12	E0103113200	77"MEIHO"COVER, CYL.	Y00K2031	10	29	1B11
				29	1E12		WASHER				
				2	1E13				12	31	1B13
			58	2	1E13				49	46	1E04
E0099350200	77"MEIHO" LABEL, MODEL	Y00K2031	57	4	1E12				51	43	1E06
				31	1E12	E0103113300	MEIHO"PIN, CYLINDER ROD	Y00K2031	9	13	1B10
			58	5	1E13						
E0099350600	77"MEIHO" C STRIPE, C	Y00K2031	57	11	1E12	E0103210400	MEIHO"LEVER	Y00K2031	15	2	1B16
				39	1E12				82	10	1G06
			58	12	1E13	E0103210500	MEIHO"LEVER	Y00K2031	15	3	1B16
E0099390001	77"MEIHO"SUB LABEL SET	Y00K2031	55	13	1E10						
				13	1E10				82	11	1G06

PC NO.	DESCRIPTION	GRP.	REF.	LOC. NO.	PC NO.	DESCRIPTION	GRP.	REF.	LOC. NO.		
E0108213800	COVER, CONTROL	Y00K2031	40	12	1D09	E0108218500	STAND	Y00K2031	44	8	1D13
			43	9	1D12	E0108218800	NONSLIP SEAT	Y00K2031	41	44	1D10
E0108213900	COVER, TOOL BOX	Y00K2031	39	7-1	1D08				42	44	1D11
			40	11-1	1D09				44	44	1D13
			41	7	1D10				47	95	1E02
			42	7	1D11	E0108410500	CANOPY	Y00K2031	45	8	1D14
			43	7-1	1D12						
			44	7	1D13	E0108410600	BOLT	Y00K2031	45	12	1D14
E0108214200	GUARD, FRONT	Y00K2031	39	10	1D08	E0108411300	POLE (R)	Y00K2031	45	4	1D14
			40	13	1D09						
			41	46	1D10	E0108411400	POLE (L)	Y00K2031	45	6	1D14
			43	10	1D12						
E0108215500	GUARD, FRONT	Y00K2031	43	10	1D12	E0108412100	POLE (R)	Y00K2031	45	5	1D14
			44	46	1D13						
E0108216100	PLATE, STAGE	Y00K2031	39	11	1D08	E0108412200	POLE (R)	Y00K2031	45	7	1D14
			40	14	1D09						
			41	10	1D10	E0108412300	CANOPY	Y00K2031	45	9	1D14
			42	10	1D11						
			43	11	1D12	E0108610200	DOOR	Y00K2031	47	3	1E01
			44	10	1D13						
E0108216200	MAT, FLOOR	Y00K2031	39	13	1D08	E0108610300	SASH, FRONT	Y00K2031	47	4	1E01
			43	13	1D12						
E0108217200	STAND	Y00K2031	40	3	1D09	E0108610400	H-RUBBER, (FRONT)	Y00K2031	46	5	1D15
			40	5	1D09						
E0108217300	MAT, FLOOR	Y00K2031	40	5	1D09	E0108610500	SASH, SIDE	Y00K2031	46	6	1D15
			41	12	1D10						
			42	12	1D11	E0108610600	H-RUBBER (SIDE)	Y00K2031	46	7	1D15
			44	12	1D13						
E0108217500	COVER, CONTROL	Y00K2031	39	9-1	1D08	E0108610700	GLASS (DOOR)	Y00K2031	46	8	1D15
			40	12-1	1D09						
			43	9-1	1D12	E0108610800	H-RUBBER, DOOR	Y00K2031	47	9	1E01
E0108217600	STAND	Y00K2031	39	8-1	1D08						
			43	8-1	1D12	E0108610900	GLASS (REAR)	Y00K2031	46	10	1D15
E0108217700	STAND	Y00K2031	40	3-1	1D09						
			40	3-1	1D09	E0108611000	H-RUBBER, REAR	Y00K2031	47	10	1E01
E0108218300	HINGE	Y00K2031	41	16	1D10						
			42	16	1D11	E0108611100	GLASS (L.H. SIDE)	Y00K2031	46	12	1D15
			44	16	1D13						
			41	9	1D10	E0108611200	H-RUBBER, LEFT SIDE	Y00K2031	47	12	1E01
E0108218400	COVER, CONTROL	Y00K2031	41	9	1D10						
			42	9	1D11	E0108611300	SOUND ABSORBER	Y00K2031	46	30	1D15
			44	9	1D13						
E0108218500	STAND	Y00K2031	41	8	1D10						
			42	8	1D11	E0108611400	SOUND ABSORBER	Y00K2031	46	31	1D15

PART NO.	DESCRIPTION	PC NO.	GRP.	REF.	LOC. NO.	PART NO.	DESCRIPTION	PC NO.	GRP.	REF.	LOC. NO.
E0148616100	PLATE, MTG. PLATE	Y00K2031	46	21	1D15	E0223224700	PLUG PIN	Y00K2031	15	16	1B16
E0161308300	BRACKET, ROLLER	Y00K2031	47	21	1E01			Y00K2031	17	13	1C02
			2	10	1B03			Y00K2031	82	19	1G06
			78	29	1G02	E0224111100	STAY	Y00K2031	83	26	1G07
			79	29	1G03			Y00K2031	25	36	1C10
E0161415600	COLLAR	Y00K2031	3	11	1B04	E0228010200	FLANGE	Y00K2031	37	5	1D06
			78	15	1G02	E0228632300	COVER	Y00K2031	46	20	1D15
			79	15	1G03	E0255290000	COUPLING ASSY	Y00K2031	36	3	1D05
E0161416300	WASHER	Y00K2031	3	4	1B04	E0261501100	CYLINDER	Y00K2031	3	15	1B04
			78	16	1G02	E0261501200	PISTON	Y00K2031	3	16	1B04
			79	16	1G03	E0268211000	CATCH	Y00K2031	19	3	1C04
E0161506100	SPRING	Y00K2031	3	26	1B04	E0268601600	HINGE	Y00K2031	46	22	1D15
E0163201620	WASHER	Y00K2031	14	36	1B15			Y00K2031	47	22	1E01
E0163209400	STOPPER	Y00K2031	13	10	1B14	E0268623600	SEAL	Y00K2031	46	29	1D15
			15	21	1B16	E0268626900	SEAL, RUBBER	Y00K2031	46	62	1D15
			19	6	1C04	E0307002200	ELBOW	Y00K2031	33	26	1D02
			21	4	1C06	E0543203100	BOOT, LEVER	Y00K2031	15	14	1B16
			22	4	1C07			Y00K2031	16	15	1C01
			81	13	1G05			Y00K2031	17	11	1C02
			82	23	1G06			Y00K2031	18	13	1C03
E0163216200	WASHER	Y00K2031	13	17	1B14			Y00K2031	82	17	1G06
			15	26	1B16	E0543205400	BLACKET (R)	Y00K2031	83	24	1G07
			16	26	1C01	E0543205500	BLACKET (L)	Y00K2031	15	9	1B16
			17	22	1C02	E0543205800	LEVER	Y00K2031	17	6	1C02
			18	26	1C03	E0543205900	BLACKET	Y00K2031	13	6	1B14
			20	28	1C05	E0543206000	LEVER (R)	Y00K2031	13	7	1B14
			21	7	1C06	E0543206100	LEVER (L)	Y00K2031	13	8	1B14
			22	7	1C07	E0543206200	LOCK (R), LEVER	Y00K2031	15	11	1B16
E0164108400	PIN	Y00K2031	25	23	1C10	E0543206300	LOCK (L), LEVER	Y00K2031	17	8	1C02
E0168106300	GASKET	Y00K2031	38	4	1D07	E0543207700		Y00K2031	15	12	1B16
E0188612200	BOLT	Y00K2031	46	16	1D15			Y00K2031			
E0188612300	DISTANCE	Y00K2031	47	16	1E01			Y00K2031			
			46	19	1D15			Y00K2031			
E0188612400	BOLT	Y00K2031	47	19	1E01			Y00K2031			
			46	15	1D15			Y00K2031			
E0218010900		Y00K2031	47	15	1E01			Y00K2031			
			37	7	1D06			Y00K2031			

7"ע"ס"ס"ס"ס"ס"ס"ס" PART NO.	7"ע"ס"ס"ס"ס"ס"ס"ס" DESCRIPTION	PC NO.	ס"ס"ס" ס"ס"ס" GRP. REF.	ס"ס"ס"ס"ס" LOC.NO.	7"ע"ס"ס"ס"ס"ס"ס" PART NO.	7"ע"ס"ס"ס"ס"ס"ס" DESCRIPTION	PC NO.	ס"ס"ס" ס"ס"ס" GRP. REF.	ס"ס"ס"ס"ס" LOC.NO.
E1100040820	BOLT M 8X 20 ס"ס"ס" 8X20	Y00K2031	42 31	1D11	E1100051020	BOLT M10X 20	Y00K2031	12 19	1B13
			44 31	1D13	E1100051025	ס"ס"ס" M10X 20	Y00K2031	37 18	1D06
			88 29	1G12		BOLT M10X 25			
E1100040822	ס"ס"ס" M 8X 22	Y00K2031	96 11	1H04				24 1006	
	BOLT M 8X 22		20 27	1C05				71 27	1F11
E1100040830	ס"ס"ס" M 8X 20	Y00K2031	79 27					1603	
	BOLT M 8X 20		35 25	1D04	E1100051235	ס"ס"ס" M12X 35	Y00K2031	11 17	1B12
						BOLT M12X 35			
E1100040840	ס"ס"ס" M 8X 40	Y00K2031	53 14	1E08	E1100051250	ס"ס"ס" 12X50	Y00K2031	12 17	1B13
	BOLT M 8X 40		90 16	1G14		BOLT M12X 50		1 15	1B02
E1100041016	ס"ס"ס" M10X 16	Y00K2031	27 9	1C12	E1101041250	ס"ס"ס" M12X50	Y00K2031	23 12	1C08
	BOLT M10X 16		27 8	1C12		BOLT M12X50			
E1100041018	ס"ס"ס" M10X 18	Y00K2031	51 44	1E06	E1101051225	ס"ס"ס" M12X25	Y00K2031	24 12	1C09
	BOLT M10X 18		35 21	1D04		BOLT M12X25		1 19	1B02
E1100041020	ס"ס"ס" M10X20	Y00K2031	90 12	1G14	E1101051235	ס"ס"ס" M12X35 P=1.5	Y00K2031	8 20	1B09
	BOLT M10X 20		9 6	1B10		BOLT M12X35		2 11	1B03
			10 6	1B11				9 16	1B10
			11 7	1B12	E1101051240	ס"ס"ס"ס"ס"ס" M12X40	Y00K2031	10 16	1B11
			12 7	1B13		BOLT M12X40		3 29	1B04
			24 13	1C09	E1101051245	ס"ס"ס"ס"ס"ס" M12X45 P=1.5	Y00K2031	52 7	1E07
			27 36	1C12		BOLT M12X35			
			41 32	1D10				94 7	1H02
			42 32	1D11					
E1100041025	ס"ס"ס" BOLT	Y00K2031	44 32	1D13				18 1H02	
			14 29	1B15				29 1H02	
			16 36	1C01				40 1H02	
			18 36	1C03				97 21	1H05
			41 33	1D10	E1101051250	ס"ס"ס"	Y00K2031	98 21	1H06
			42 33	1D11		BOLT		54 1H06	
			44 33	1D13				78 30	1G02
			88 28	1G12	E1101051260	ס"ס"ס"	Y00K2031	79 30	1G03
E1100041225	ס"ס"ס" M12X 25	Y00K2031	24 10	1C09		BOLT		1 14	1B02
	BOLT M12X 25				E1102540625	ס"ס"ס" M 6X 25	Y00K2031	16 47	1C01
E1100050614	ס"ס"ס" 6X14	Y00K2031	8 23	1B09		BOLT, M 6X 25			
	BOLT M 6X 14				E1103041025	ס"ס"ס"ס"ס"ס" M10X 25	Y00K2031	36 10	1D05
E1100050812	ס"ס"ס" M 8X 12	Y00K2031	20 22	1C05		BOLT M10X 25			
	BOLT M 8X 12				E1103051025	ס"ס"ס"ס"ס"ס" M10X 25	Y00K2031	36 11	1D05
E1100050820	ס"ס"ס" 8X20	Y00K2031	30 2	1C15		BOLT M10X 25			
	BOLT M 8X 20				E1110040625	ס"ס"ס" M 6X 25	Y00K2031	16 37	1C01
			54 22	1E09		BOLT M 6X 25			
E1100050835	ס"ס"ס"	Y00K2031	91 22	1G15	E1110040830	ס"ס"ס"ס"ס"ס" M 8X 30	Y00K2031	20 32	1C05
	BOLT		54 21	1E09		BOLT M 8X 30			
			91 21	1G15	E1110040835	ס"ס"ס"ס"ס"ס" M 8X 35	Y00K2031	22 28	1C07
E1100050840	ס"ס"ס"	Y00K2031	54 20	1E09		BOLT M 8X 35		35 23	1D04
	BOLT				E1110041020	ס"ס"ס" M10X 20	Y00K2031	90 13	1G14
			91 20	1G15		BOLT M10X 20		1 9	1B02
E1100051020	ס"ס"ס" M10X 20	Y00K2031	11 19	1B12					

PART NO.	DESCRIPTION	PC NO.	GRP.	REF.	LOC.NO.	PART NO.	DESCRIPTION	PC NO.	GRP.	REF.	LOC.NO.
E1131540008	NUT M12 ナット NUT	YOOK2031	14	31	1B15	E1140020006	SPRING WASHER 5 スプリングワッシャー SPRING WASHER	YOOK2031	14	32	1B15
			16	39	1C01				16	40	1C01
			18	40	1C03				18	41	1C03
			20	24	1C05				20	31	1C05
			21	14	1C06				27	22	1C12
			22	14	1C07				47	67	1E01
E1131550008	NUT M 8, LEFT-HAND ナット M 8, 左回り	YOOK2031	13	31	1D14	E1140020008	SPRING WASHER スプリングワッシャー	YOOK2031	11	8	1B12
			15	47	1B16				12	8	1B13
			17	42	1C02				14	33	1B15
			19	24	1C04				16	41	1C01
			81	32	1G05				18	42	1C03
			82	48	1G06				20	25	1C05
E1132020016	NUT M16 ナット M16	YOOK2031	46	58	1D15				24	20	1C09
			47	58	1E01				27	11	1C12
E1132620030	NUT M30 ナット M30	YOOK2031	48	19	1E03				33	23	1D02
			49	19	1E04				35	24	1D04
			50	19	1E05				41	35	1D10
			51	19	1E06				42	34	1D11
E1134130004	CAP NUT M 4 キャップナット M 4	YOOK2031	46	71	1D16				44	34	1D13
			47	71	1E02				47	66	1E01
E1135510005	NUT ナット	YOOK2031	47	90	1E02				51	47	1E06
			47	90	1E02				85	12	1G09
E1140000008	SPRING WASHER 8 スプリングワッシャー 8	YOOK2031	12	34	1B13				87	4	1G11
E1140000010	SPRING WASHER 10 スプリングワッシャー 10	YOOK2031	11	20	1B12	E1140020010	SPRING WASHER スプリングワッシャー	YOOK2031	11	9	1B12
			12	20	1B13				96	12	1H04
E1140000012	SPRING WASHER 12 スプリングワッシャー 12	YOOK2031	11	18	1B12				96	12	1H04
			12	18	1B13				96	12	1H04
E1140010005	SPRING WASHER 5 スプリングワッシャー 5	YOOK2031	61	23	1E16				25	25	1H04
E1140010006	SPRING WASHER スプリングワッシャー	YOOK2031	8	24	1B09				12	9	1B13
E1140010008	SPRING WASHER 8 スプリングワッシャー 8	YOOK2031	22	20	1C07				14	34	1B15
			54	23	1E09				16	42	1C01
			91	23	1G15				18	43	1C03
E1140010010	SPRING WASHER 10 スプリングワッシャー 10	YOOK2031	37	19	1D06				22	19	1C07
			71	25	1D06	E1140020012	SPRING WASHER 12 スプリングワッシャー 12	YOOK2031	24	11	1C09
			79	28	1G03	E1140330010	WASHER ワッシャー	YOOK2031	23	28	1C08
E1140020005	SPRING WASHER 5 スプリングワッシャー 5	YOOK2031	47	81	1E02				24	14	1G12
			85	18	1G09				24	28	1C09
			27	1G09					26	38	1C11
									27	38	1C12

(MF NO.Y00K2031)

I 2K07 I

*** PARTS INDEX ***

86.10.17

P. 23

PART NO.	DESCRIPTION	PC NO.	GRP.	REF.	LOC.NO.	PART NO.	DESCRIPTION	PC NO.	GRP.	REF.	LOC.NO.
E1141110005	WASHER E1141110005 5 WASHER 5	Y00K2031	47	96	1E02	E1141540010	WASHER E1141540010	Y00K2031	41	43	1D10
			84	19	1G08				42	43	1D11
			85	19	1G09	E1141540012	E1141540012 12 WASHER 12	Y00K2031	44	43	1D13
			92	13	1G16				1	16	1B02
E1141110006	E1141110006 6 WASHER 6	Y00K2031	84	16	1G08				2	12	1B03
									8	21	1B09
E1141110008	WASHER	Y00K2031	85	16	1G09				23	22	1C08
			24	30	1C09				24	22	1C09
			26	32	1C11				78	31	1G02
			27	32	1C12	E1210000320	E1210000320 COTTER PIN 3X20	Y00K2031	79	31	1G03
			38	17	1D07				19	27	1C04
			39	35	1D08	E1210000430	E1210000430 COTTER PIN	Y00K2031	20	21	1C05
			41	36	1D10				46	59	1D15
			42	36	1D11	E1210000550	E1210000550 COTTER PIN 5X50	Y00K2031	47	59	1E01
			43	35	1D12				71	20	1F11
			44	36	1D13	E1210000655	E1210000655 COTTER PIN 6X55	Y00K2031	73	22	1F13
			46	68	1D16				48	20	1E03
			47	68	1E01						
			84	13	1G08				49	20	1E04
			85	13	1G09				50	20	1E05
			86	9	1G10				51	20	1E06
			87	3	1G11				66	27	1F04
			95	16	1H03				65	25	1F05
E1141110010	E1141110010 WASHER	Y00K2031	9	9	1B10				66	25	1F06
			10	9	1B11				67	26	1F07
			11	10	1B12	E1210000660	E1210000660 COTTER PIN 6X60	Y00K2031	68	27	1F08
			12	10	1B13				69	21	1F09
			26	37	1C11						
			27	37	1C12				70	21	1F10
			36	13	1D05	E1210000850	E1210000850 COTTER PIN	Y00K2031	72	20	1F12
			39	36	1D08				6	16	1A07
			41	37	1D10						
			42	37	1D11				9	21	1B10
			43	36	1D12	E1210000855	E1210000855 COTTER PIN	Y00K2031	10	21	1B11
			44	37	1D13				11	22	1B12
			49	51	1E04						
			95	7	1H03	E1210000860	E1210000860 COTTER PIN 8X60	Y00K2031	12	22	1B13
E1141110012	E1141110012 12 WASHER 12	Y00K2031	39	37	1D08				48	16	1E03
			41	38	1D10				49	16	1E04
			42	38	1D11				50	16	1E05
			43	37	1D12				51	16	1E06
			44	38	1D13				52	22	1E14
E1141110008	E1141110008 8 WASHER 8	Y00K2031	96	13	1H04				97	33	1H05
									98	33	1H06
				26	1H04					66	1H06
E1141120005	E1141120005 WASHER	Y00K2031	85	28	1G09	E1210001210	E1210001210 COTTER PIN	Y00K2031	92	14	1G16
E1141540010	E1141540010 WASHER	Y00K2031	1	11	1B02	E1212001030	E1212001030 COTTER PIN	Y00K2031	8	18	1A09

PART NO.	DESCRIPTION	PC NO.	GRP.	REF.	LOC. NO.	PART NO.	DESCRIPTION	PC NO.	GRP.	REF.	LOC. NO.
E1213000420	KNOCK-PIN SPRING PIN	Y00K2031	16	31	1C01	E1220000020	SNAP RING S20	Y00K2031	17	30	1C02
E1213000510	SPRING PIN 5X10	Y00K2031	18	28	1C03				19	18	1C04
E1213000624	SPRING PIN 5X10	Y00K2031	36	17	1D05				20	19	1C05
E1213000830	SPRING PIN 8X30	Y00K2031	82	9	1G06	E1221000055	SNAP RING	Y00K2031	25	27	1C10
			83	12	1G07				82	35	1G06
			13	23	1B14	E1221000058	CIRCLIP 58	Y00K2031	83	40	1G07
			14	24	1B15				73	21	1F13
			15	35	1B16	E1221000063	CIRCLIP 63	Y00K2031	78	9	1G02
			17	32	1C02				79	9	1G03
			18	29	1C03	E1221000080	SNAP RING	Y00K2031	71	23	1F11
			81	24	1G05				73	20	1F13
E1213101010	PIN, SPRING 10X10	Y00K2031	82	36	1G06	E1222016034	RING	Y00K2031	64	26	1F04
			83	42	1G07	E1224010004	CIRCLIP	Y00K2031	69	23	1F09
			3	14	1B04				70	23	1F10
			78	32	1G02	E1225120020	SPRING	Y00K2031	72	22	1F12
			79	32	1G03				3	9	1B04
E1214000005	PIN 5	Y00K2031	13	24	1B14	E1225526019	WASHER	Y00K2031	78	21	1G02
			14	23	1B15				79	21	1G03
			15	36	1B16	E1225620050	SNAP RING	Y00K2031	8	10	1B09
			17	33	1C02				25	43	1C10
			18	27	1C03	E1300006006	BEARING	Y00K2031	38	7	1G07
			19	19	1C04				41	42	1D10
			20	20	1C05	E1300006010	BEARING	Y00K2031	42	42	1D11
			21	29	1C06				44	42	1D13
			22	30	1C07	E1300006306	BEARING	Y00K2031	10	30	1B11
			81	25	1G05				12	32	1B13
			82	37	1G06	E1225526019	WASHER	Y00K2031	49	52	1E04
E1214000008	PIN	Y00K2031	83	43	1G07				51	48	1E06
			46	63	1D15	E1225620050	SNAP RING	Y00K2031	1	30	1B02
E1214000010	SNAP PIN	Y00K2031	47	63	1E01				37		1B02
			19	27	1C04	E1300006307	BEARING	Y00K2031	71	22	1F11
E1214000012	PIN, SNAP	Y00K2031	39	29	1D08				78	8	1G02
			40	30	1D09				41	30	1D10
			41	30	1D10				42	30	1D11
			42	30	1D11				43	29	1D12
			43	29	1D12				44	30	1D13
E1214000050	SNAP PIN	Y00K2031	44	30	1D13	E1300006306	BEARING	Y00K2031	16	30	1C01
			16	30	1C01				2	6	1B03
E1220000015	SNAP RING S15	Y00K2031	15	33	1B16				3	7	1B04
			17	29	1C02				8	8	1B09
E1220000020	SNAP RING S20	Y00K2031	15	34	1B16				78	19	1G02
									79	19	1G03

(MF NO. Y00K2031)

2K09

*** PARTS INDEX ***

86.10.17

P. 25

PART NO.	DESCRIPTION	PC NO.	GRP.	REF.	LOC. NO.	PART NO.	DESCRIPTION	PC NO.	GRP.	REF.	LOC. NO.
E1300306307	BEARING "A" TYPE	Y00K2031	8	7	1B09	E1333004530	BUSH DU7"ツツ1 MB4530DU	Y00K2031	68	26	1F08
E1314001720	BEARING ニードル タイプ NEEDLE, INNER	Y00K2031	15	32	1B16				69	22	1F09
			17	28	1C02	E1333052015	DU7"ツツ1 BUSH	Y00K2031	70	22	1F10
			82	34	1G06				72	21	1F12
			83	39	1G07				14	22	1B15
E1330002015	DU7"ツツ1 BUSH	Y00K2031	21	11	1C06				16	25	1C01
						E1340000080	ロッドエンド ROD-END	Y00K2031	20	18	1C05
E1332001518	ミニピロ- MINI-PILLOW	Y00K2031	22	11	1C07				13	18	1B14
			13	37	1B14				14	19	1B15
			81	38	1G05				15	29	1B16
E1332002022	ミニピロ- MINI-PILLOW	Y00K2031	15	28	1B16				16	27	1C01
									17	25	1C02
			17	24	1C02				19	15	1C04
			21	8	1C06				20	16	1C05
			22	8	1C07				21	9	1C06
			82	30	1G06				22	9	1C07
			83	35	1G07				81	19	1G05
E1332021516	ピロ-ユニット PILLOW UNIT	Y00K2031	18	49	1C03	E1340000085	ロッドエンド ROD-END	Y00K2031	82	31	1G06
									83	36	1G07
E1332022020	ピロ-ユニット UNIT, PLOW	Y00K2031	20	29	1C05				13	19	1B14
E1332051518	ミニピロ- MINI-PILLOW	Y00K2031	14	18	1B15				14	20	1B15
									15	30	1B16
			13	36	1B14				16	28	1C01
			15	51	1B16				17	26	1C02
			81	37	1G05				18	24	1C03
			82	52	1G06				19	16	1C04
E1332052022	ミニピロ- MINI-PILLOW	Y00K2031	17	23	1C02				20	17	1C05
									21	10	1C06
			83	34	1G07				22	10	1C07
E1332061516	フランジユニット UNIT, FLANGE	Y00K2031	14	17	1B15				81	20	1G05
									82	32	1G06
E1333002015	7"ツツ1 BUSH	Y00K2031	18	30	1C03	E1340300080	ロッドエンド ROD END	Y00K2031	83	37	1G07
			13	20	1B14				16	29	1C01
			15	31	1B16	E1340300085	ロッドエンド ROD END	Y00K2031	18	25	1C03
			17	27	1C02				83	14	1G07
			19	17	1C04	E1340300100	ロッドエンド ROD-END	Y00K2031	21	28	1C06
			81	21	1G05	E1340500080	ロッドエンド(R) ROD END(R)	Y00K2031	14	21	1B15
			82	33	1G06						
			83	38	1G07						
E1333004030	DU7"ツツ1 BUSH	Y00K2031	71	21	1F11				81	7	1G05
						E1390010800	ボール 1/2 BALL (1/2)	Y00K2031	25	30	1C10
			73	19	1F13						
			74	24	1F14	E1390020300	鋼球 STEEL BALL	Y00K2031	92	15	1G16
E1333004530	DU7"ツツ1 MB4530DU BUSH	Y00K2031	64	25	1F04	E1400402382	オイルシール OIL SEAL	Y00K2031	36	16	1D05
						E1400402835	オイルシール SEAL, OIL	Y00K2031	3	22	1B04
			65	23	1F05						
			66	23	1F06						
			67	25	1F07						

PART NO.	DESCRIPTION	PC NO.	GRP.	REF.	LOC. NO.	PART NO.	DESCRIPTION	PC NO.	GRP.	REF.	LOC. NO.
E1511000002	NIPPLE 1/4, HOSE ホ-アニツフ*1/4	Y00K2031	31	10	1C16	E1515000211	ELBOW エルホ"	Y00K2031	88	26	1G12
			88	10	1G12	E1515200433	エルホ"	Y00K2031	32	14	1D01
E1511000003	ホ-アニツフ* NIPPLE, HOSE	Y00K2031	7	8	1B08		ELBOW		33	15	1D02
			53	11	1E08	E1530526013	717ツホ-ア HOSE, LOW-PRESS.	Y00K2031	89	9	1G13
			54	17	1E09						
			91	17	1G15	E1530526014	717ツホ-ア HOSE, LOW-PRESS.	Y00K2031	32	10	1D01
E1511000004	ホ-アニツフ* NIPPLE, HOSE	Y00K2031	30	6	1C15	E1530526016	717ツホ-ア HOSE, LOW-PRESS.	Y00K2031	33	9	1D02
			31	9	1C16						
			88	9	1G12	E1530526080	717ツホ-ア HOSE, LOW-PRESSURE	Y00K2031	32	8	1D01
E1511000006	ホ-アツタ*7*9- ADAPTOR, HOSE	Y00K2031	91	19	1G15				33	11	1D02
E1511100003	ホ-アツタ*7*2- 3/8 ADAPTER 3/8	Y00K2031	53	13	1E08	E1530532090	717ツホ-ア HOSE, LOW-PRESS.	Y00K2031	32	9	1D01
			54	18	1E09	E1530541025	717ツホ-ア HOSE, LOW-PRESS.	Y00K2031	33	27	1D02
			71	25	1E11						
			91	18	1G15	E1530541050	717ツホ-ア HOSE, LOW-PRESS.	Y00K2031	33	10	1D02
E1511200002	ホ-アツタ*7*2 45 エルホ" ELBOW (45°)	Y00K2031	34	17	1B03	E1531010006	エルホ-ア HOSE	Y00K2031	38	14	1D07
E1511200003	45°ニツフ* NIPPLE	Y00K2031	7	7	1B08	E1531010037	エルホ-ア TUBE	Y00K2031	38	13	1D07
			53	12	1E08						
E1511200004	ホ-アツタ*7*9-(45°エルホ" NIPPLE 1/2(45°), HOSE	Y00K2031	30	10	1C15	E1531112075	エルホ-ア TUBE	Y00K2031	38	18	1D07
E1513000006	ニツフ* NIPPLE	Y00K2031	30	13	1C15	E1531115000	エルホ-ア D18 D15 PIPE, VINYL	Y00K2031	23	21	1C08
			31	3	1C16				24	21	1C09
			88	3	1G12	E1531335030	ホコ"コ"ホ-ア HOSE, PROTECTOR	Y00K2031	34	14	1D03
E1513100004	コネクタ- CONNECTOR	Y00K2031	7	5	1B08	E1531345030	ホコ"コ"ホ-ア HOSE, PROTECTOR	Y00K2031	34	9	1D03
E1513330001	エルホ" ELBOW	Y00K2031	30	16	1C15	E1531345040	ホコ"コ"ホ-ア HOSE, RUBBER	Y00K2031	54	26	1E09
E1513400001	7"ツツ1 BUSH	Y00K2031	31	8	1C16	E1531345070	ホコ"コ"ホ-ア HOSE, RUBBER	Y00K2031	54	19	1E09
E1513400002	7"ツツ1 BUSH	Y00K2031	31	6	1C16	E1532020600	ツツ1ツツ1 TUBE	Y00K2031	28	4	1C13
			88	6	1G12					5	1C13
E1513500001	7*52" PLUG	Y00K2031	61	42	1E16	E1532020635	ツツ1ツツ1 TUBE TC-206	Y00K2031	32	20	1D01
E1513500008	7*52" PLUG	Y00K2031	61	55	1E16					6	1C13
E1513500009	7*52" PLUG	Y00K2031	61	27	1E16	E1532020645	ツツ1ツツ1 TUBE	Y00K2031	29	7	1C14
E1513500010	7*52" PLUG	Y00K2031	61	54	1E16	E1532020660	ツツ1ツツ1 TUBE	Y00K2031	29	5	1C14
E1513500021	7*52" PLUG	Y00K2031	61	28	1E16	E1532020670	ツツ1ツツ1 TUBE	Y00K2031	29	6	1C14
E1513500026	7*52" PLUG	Y00K2031	62	29	1E02	E1532520601	コネクタ- CONNECTOR	Y00K2031	29	4	1C14
E1515000211	エルホ"	Y00K2031	34	18	1D03	E1532520602	エルホ-1/4	Y00K2031	33	25	1D02
									28	2	1C13

(MF NO. Y00K2031)

-----+
I 2K13 I
+-----+

*** PARTS INDEX ***

86.10.17

P. 29

PART NO.	DESCRIPTION	PC NO.	GRP.	REF.	LOC. NO.	PART NO.	DESCRIPTION	PC NO.	GRP.	REF.	LOC. NO.
E1532620601	ELBOW 1/4 肘管 1/4 ELBOW	Y00K2031	29	3	1C14	E1560001000	NIPPLE ナリニツツ* NIPPLE	Y00K2031	51	17	1E06
									64	28	1F04
			32	19	1D01				65	29	1F05
			33	20	1D02				66	29	1F06
E1532620602	肘管 ELBOW	Y00K2031	28	3	1C13				67	27	1F07
E1533001015	ワイヤ-クランプ CLAMP, WIRE	Y00K2031	38	15	1D07				68	28	1F08
									72	24	1F12
									73	23	1F13
E1533001035	ワイヤ-クランプ 35 CLAMP 35, WIRE	Y00K2031	32	12	1D01				74	26	1F14
									97	26-1	1H05
									98	26	1H06
E1533001045	クランプ CLAMP	Y00K2031	32	11	1D01	E1560001675	ナリニツツ* PT1/8 NIPPLE PT1/8	Y00K2031	6	17	1B07
									46	23	1D15
									47	23	1E01
									66	30	1F06
E1533001055	ワイヤ-クランプ CLAMP, WIRE	Y00K2031	33	12	1D02				68	29	1F08
E1533001058	ワイヤ-クランプ CLAMP, WIRE	Y00K2031	23	26	1C08	E1560001900	ナリニツツ* NIPPLE	Y00K2031	48	5	1E03
									49	5	1E04
									50	5	1E05
E1533200010	ナット U-BOLT	Y00K2031	32	18	1D01				51	5	1E06
E1533200012	ナット U-BOLT ASSY	Y00K2031	33	19	1D02				69	25	1F09
E1541201616	ガスケット GASKET	Y00K2031	3	18	1B04	E1560011006	ナリニツツ* NIPPLE, GREASE	Y00K2031	1	13	1B02
									70	25	1F10
E1541301601	チェックバルブ VALVE, CHECK	Y00K2031	3	17	1B04	E1560019000	ナリニツツ* PT1/8 90° GREASE NIPPLE PT1/8	Y00K2031	71	24	1F11
E1550100400	ストレーナ STRAINER, SUCTION	Y00K2031	37	9	1D06				1	13	1B02
E1551100300	バルブ ASSY VALVE ASSY	Y00K2031	37	11	1D06	E1567005059	パイプ ASSY PIPE ASSY, SUCTION	Y00K2031	23	24	1C08
E1551100700	フィルタ ELEMENT, FILTER	Y00K2031	37	10	1D06				24	24	1C09
E1552001022	カバー COVER	Y00K2031	38	8	1D07	E1567313840	ホース HOSE, DEFROSTER 38	Y00K2031	95	18	1H03
E1552002012	燃料 STRAINER, FUEL	Y00K2031	38	9	1D07				96	16	1H04
E1553020655	メーター GAUGE, OIL LEVEL	Y00K2031	37	12	1D06	E1567313860	ホース HOSE, DEFROSTER	Y00K2031	96	19	1H04
E1560001000	ナリニツツ* NIPPLE	Y00K2031	3	19	1B04	E1567323800	カフ CUFFS	Y00K2031	95	20	1H03
									96	20	1H04
									96	18	1H04
						E1567413815	ホース HOSE, DEFROSTER	Y00K2031	26	18	1H04
						E1567413830	ホース HOSE, DEFROSTER	Y00K2031	96	17	1H04
						E1567413850	ホース HOSE, DEFROSTER	Y00K2031	95	19	1H03
						E1600000140	ユニバーサルジョイント UNIVERSAL JOINT	Y00K2031	16	33	1C01
			9	20	1B10				18	33	1C03
			10	20	1B11	E1602000160	センターフレックス CENTER FLEX COUPLING	Y00K2031	36	6	1D05
			11	21	1B12						
			12	21	1B13	E1620050000	ジョイント JOINT LINK	Y00K2031	16	32	1C01
			29	8	1C14						
			48	17	1E03						
			49	17	1E04						
			50	17	1E05						

PART NO.	DESCRIPTION	PC NO.	GRP.	REF.	LOC. NO.	PART NO.	DESCRIPTION	PC NO.	GRP.	REF.	LOC. NO.
E1620050000	JOINT LINK	Y00K2031	18	32	1C03	E1652103824	PAD	Y00K2031	46	51	1D15
E1622290100	TRIM	Y00K2031	39	28	1D08	E1652200003	PACKING, RUBBER	Y00K2031	27	39	1C12
			40	29	1D09		CLAMP	Y00K2031	32	23	1D01
E1650112050	KNOB	Y00K2031	43	28	1D12	E1652200008	TIGHTENER TY-B	Y00K2031	33	24	1D02
			88	32	1G12			Y00K2031	27	40	1C12
E1650200400	KNOB	Y00K2031	18	31	1C03	E1652310013	CLAMP	Y00K2031	25	40	1C10
E1650200500	GRIP, LEVER	Y00K2031	21	21	1C06	E1652400004	CLAMP, NYLON	Y00K2031	39	40	1D08
			22	21	1C07	E1652505400	CUSHION, RUBBER	Y00K2031	40	42	1D09
E1650200600	KNOB (R), LEVER	Y00K2031	25	28	1C10			Y00K2031	41	29	1D10
			13	21	1B14			Y00K2031	42	29	1D11
			14	25	1B15			Y00K2031	43	41	1D12
E1650200700	KNOB (L), LEVER	Y00K2031	81	22	1G05			Y00K2031	44	29	1D13
			13	22	1B14	E1652610701	BUSH	Y00K2031	26	16	1C11
			14	26	1B15			Y00K2031	27	16	1C12
			81	23	1G05	E1653300700	CATCH	Y00K2031	83	15	1G07
E1650201200	KNOB	Y00K2031	17	31	1C02	E1653300703	CLIP	Y00K2031	83	16	1G07
E1650201400	KNOB	Y00K2031	83	41	1G07	E1653610304	LOCK ASSY	Y00K2031	39	27	1D08
			15	27	1B16			Y00K2031	40	28	1D09
			16	48	1C01			Y00K2031	41	27	1D10
E1651005030	CUSHION	Y00K2031	82	29	1G06			Y00K2031	42	27	1D11
			46	57	1D15			Y00K2031	43	27	1D12
			47	57	1E01			Y00K2031	44	27	1D13
E1651040428	ABSORBER, RUBBER	Y00K2031	23	18	1C08	E1653614389	RACK, HAT	Y00K2031	46	55	1D15
			24	18	1C09			Y00K2031	47	55	1E01
E1652002202	GROMMET	Y00K2031	26	33	1C11	E1653691350	POCKET ASSY.	Y00K2031	46	54	1D15
			27	33	1C12			Y00K2031	47	54	1E01
E1652050900	GROMMET	Y00K2031	25	13	1C10	E1653691450	HANDLE	Y00K2031	46	53	1D15
E1652051200	GROMMET	Y00K2031	46	48	1D15			Y00K2031	47	53	1E01
			47	48	1E01	E1653691460	CATCHER ASSY	Y00K2031	46	52	1D15
E1652051600	GROMMET	Y00K2031	46	49	1D15			Y00K2031	47	52	1E01
			47	49	1E01	E1653900009	MARK, "YANMAR"	Y00K2031	43	40	1D12
E1652052400	GROMMET	Y00K2031	41	45	1D10	E1653916249	TRIM	Y00K2031	44	47	1D13
			42	45	1D11			Y00K2031	46	41	1D15
			44	45	1D13	E1654000700	DOOR LOCK	Y00K2031	47	41	1E01
E1652053800	GROMMET	Y00K2031	46	50	1D15			Y00K2031	46	39	1D15
			47	50	1E01	E1654000800		Y00K2031	47	41	1E01
E1652103622		Y00K2031	47	51	1E01			Y00K2031	46	39	1D15

(MF NO. YOOK2031)

↑-----↑
| 2K15 |
↓-----↓

*** PARTS INDEX ***

86.10.17

P. 31

PC NO.	DESCRIPTION	PC NO.	GRP.	REF.	LOC. NO.	PC NO.	DESCRIPTION	PC NO.	GRP.	REF.	LOC. NO.
E1654000800	HANDLE	YOOK2031	47	39	1E01	E1701200200	E1-スキャツカ	YOOK2031	25	14	1C10
E1654000900	ハンドル	YOOK2031	46	40	1D15	E1702000070	BOX, FUSE	YOOK2031	26	25	1C11
E1654001000	ハンドル	YOOK2031	47	40	1E01	E1702106260	BATTERY	YOOK2031	27	25	1C12
E1654305280	BUSH, RUBBER	YOOK2031	46	42	1D15	E1702230340	ROD ASSY	YOOK2031	26	24	1C11
E1654520200	スポンジ	YOOK2031	47	42	1E01	E1702230340	ケーブル	YOOK2031	27	24	1C12
E1654520200	SPONGE RUBBER	YOOK2031	46	56	1D15	E1702230500	CABLE	YOOK2031	26	28	1C11
E1654520360	ツツ	YOOK2031	47	56	1E01	E1702230500	ワイヤ	YOOK2031	27	28	1C12
E1654520360	RUBBER, SASH	YOOK2031	46	60	1D15	E1702308513	ワイヤ	YOOK2031	26	29	1C11
E1654601100	ツツ	YOOK2031	47	60	1E01	E1702308513	ターミナル	YOOK2031	27	29	1C12
E1654601100	RUBBER	YOOK2031	46	61	1D15	E1702430280	TERMINAL	YOOK2031	26	30	1C11
E1654601100	トリム	YOOK2031	47	61	1E01	E1702430280	ワイヤ	YOOK2031	27	30	1C12
E1654604690	トリム	YOOK2031	41	28	1D10	E1702530095	ワイヤ	YOOK2031	23	23	1C08
E1654604690	シーラント L=690	YOOK2031	42	28	1D11	E1702530095	ケーブル, BATTERY	YOOK2031	24	23	1C09
E1654604690	SEAL, RUBBER	YOOK2031	44	28	1D13	E1702530095	ケーブル, BATTERY	YOOK2031	26	27	1C11
E1655200003	クランプ	YOOK2031	46	82	1D15	E1703000100	ランプヘッド	YOOK2031	27	27	1C12
E1690002427	クランプ	YOOK2031	47	62	1E01	E1703000100	LAMP, HEAD	YOOK2031	26	3	1C11
E1690100013	レンチ	YOOK2031	26	39	1C11	E1703000101	ランプユニット	YOOK2031	27	3	1C12
E1690300330	レンチ	YOOK2031	59	11	1E14	E1703000101	LAMP UNIT	YOOK2031	26	4	1C11
E1690400250	レンチ	YOOK2031	59	10	1E14	E1703000102	ハーネス, LAMP	YOOK2031	27	4	1C12
E1690500200	ハンマー	YOOK2031	59	14	1E14	E1703000102	HARNESS, LAMP	YOOK2031	26	6	1C11
E1690600500	モンキーレンチ	YOOK2031	59	12	1E14	E1703000103	ランプ 12V/35W	YOOK2031	27	6	1C12
E1690600600	モンキーレンチ	YOOK2031	59	12	1E14	E1703000103	BULB (12V735W)	YOOK2031	26	5	1C11
E1690600800	プライヤ	YOOK2031	59	13	1E14	E1703000200	ランプアッシー	YOOK2031	27	5	1C12
E1690601000	レンチ	YOOK2031	59	17	1E14	E1703000200	LAMP ASSY, BOOM	YOOK2031	86	2	1G10
E1690850026	レンチ	YOOK2031	59	17	1E14	E1703000203	ランプ	YOOK2031	86	3	1G10
E1691050300	レンチ	YOOK2031	59	18	1E14	E1703000900	ランプアッシー	YOOK2031	87	1	1G11
E1691100003	レンチ	YOOK2031	59	19	1E14	E1703000901	LAMP ASSY	YOOK2031	87	2	1G11
E1691400003	レンチ	YOOK2031	59	20	1E14	E1703001300	ランプ	YOOK2031	87	2	1G11
E1701000200	レンチ	YOOK2031	59	20	1E14	E1703001303	ランプ	YOOK2031	47	91	1E02
E1701000200	レンチ	YOOK2031	59	15	1E14	E1703001303	ランプ	YOOK2031	47	92	1E02
E1701000200	レンチ	YOOK2031	59	8	1E14	E1703210700	電気バルブ	YOOK2031	26	13	1C11
E1701000200	グリースガン	YOOK2031	59	9	1E14	E1703210700	ELECTRIC BULB	YOOK2031	26	13	1C11
E1701000200	ノズル	YOOK2031	59	9	1E14	E1703211000	チューブ D7	YOOK2031	27	13	1C12
E1701000200	ノズル	YOOK2031	59	9	1E14	E1703211000	TUBE D7	YOOK2031	26	14	1C11
E1701000200	袋	YOOK2031	59	21	1E14	E1703211050	チューブ D10	YOOK2031	27	14	1C12
E1701000200	ライトスイッチ	YOOK2031	25	9	1C10	E1703211050	TUBE D10	YOOK2031	26	34	1C11
E1701000200	ライトスイッチ	YOOK2031	25	9	1C10	E1703211050	チューブ D10	YOOK2031	26	34	1C11

7"EC" H"K"Y"K" PART NO.	7"EC" H"K"Y"K" DESCRIPTION	PC NO.	7"EC" H"K"Y"K" GRP. REF.	7"EC" H"K"Y"K" LOC. NO.	7"EC" H"K"Y"K" PART NO.	7"EC" H"K"Y"K" DESCRIPTION	PC NO.	7"EC" H"K"Y"K" GRP. REF.	7"EC" H"K"Y"K" LOC. NO.		
E1703211050	TUBE L500	Y00K2031	27	34	1C12	E1900000102	ク"ビ"ス"ツ"シ	Y00K2031	72	12	1F12
E1703211500	シ"ツ"ハ"ツ"フ"2-7" L500	Y00K2031	26	15	1C11	E1900000502	ク"ビ"ス"ツ"シ	Y00K2031	71	12	1F11
	TUBE D15		27	15	1C12	E1900000509	BUSH	Y00K2031	71	19	1F11
E1703500412	ホ"ン	Y00K2031	26	7	1C11	E1900002208	ミ"ツ"キ"ツ"ツ" M27 P=1.5	Y00K2031	69	19	1F09
	HORN		27	7	1C12		NUT M27				
E1704042012	7"ハ"-E-2-	Y00K2031	46	43	1D15		ハ"ツ"キ"ン"ホ"ル"ク" "	Y00K2031	70	19	1F10
	MOTOR, WIPER		47	43	1E01	E1900002209	HOLDER, PACKING	Y00K2031	72	18	1F12
E1704046012	7"ハ"-E-2-	Y00K2031	47	43	1E01		ツ"ツ	Y00K2031	72	19	1F12
	MOTOR, WIPER		47	44	1E01	E1900003702	NUT	Y00K2031	69	13	1F09
E1704111500	7"ハ"-7-6	Y00K2031	47	44	1E01		7"ツ"シ	Y00K2031	70	13	1F10
	ARM, WIPER		46	44	1D15	E1900004209	BUSH	Y00K2031	70	20	1F10
E1704111550	7"ハ"-7-6	Y00K2031	46	44	1D15		キ"ツ"ル ツ"ツ	Y00K2031	72	16	1F12
	ARM, WIPER		46	46A	1D15	E1900004906	CASTLE NUT	Y00K2031	72	16	1F12
E1704206400	7"ハ"-7"U-ト"	Y00K2031	46	69	1D16		ピ"ス"ン	Y00K2031	69	12	1F09
	BLADE, WIPER		47	46A	1D15	E1900004920	ピ"ス"ン	Y00K2031	70	12	1F10
E1704206450	7"ハ"-7"U-ト"	Y00K2031	46	69	1D16		7"ツ"シ	Y00K2031	72	14	1F12
	WIPER BLADE		47	46B	1E01	E1900004950	BUSH	Y00K2031	72	15	1F12
E1704300004	7"ハ"-A1ツ"フ	Y00K2031	46	46B	1D15		7"ツ"シ	Y00K2031	72	15	1F12
	WIPER SWITCH		47	46B	1E01	E1900004955	PLATE	Y00K2031	72	13	1F12
E1704300005	7"ハ"-A1ツ"フ	Y00K2031	46	46B	1D15		ハ"ツ"キ"ン"ホ"ル"ク" "	Y00K2031	72	13	1F12
	WIPER SWITCH		84	5	1G08	E1900005003	HOLDER, PACKING	Y00K2031	72	2	1F12
E1705015501	カ-ラ"ジ"オ	Y00K2031	84	5	1G08		ク"リ"ツ"ク" "-ツ"2-7"	Y00K2031	73	17	1F13
	CAR RADIO		85	5	1G09	E1900005099	TUBE, CYLINDER	Y00K2031	73	14	1F13
E1705015502	アンテナ	Y00K2031	84	6	1G08		シ"ル"キ"ツ" (ス"リ"ツ"ク"フ"-6ヨ"ク)	Y00K2031	64	22	1F04
	ANTENNA ASSY.		85	6	1G09	E1900008208	シ"ル"キ"ツ" (ス"リ"ツ"ク"フ"-6ヨ"ク)	Y00K2031	65	22	1F05
E1705015507	スピーカー	Y00K2031	84	9	1G08		シ"ル"キ"ツ" (ス"リ"ツ"ク"フ"-6ヨ"ク)	Y00K2031	66	22	1F06
	SPEAKER		85	9	1G09	E1900008250	シ"ル"キ"ツ" (ス"リ"ツ"ク"フ"-6ヨ"ク)	Y00K2031	67	22	1F07
E1705015601	ラジオ	Y00K2031	85	5	1G09		シ"ル"キ"ツ" (ス"リ"ツ"ク"フ"-6ヨ"ク)	Y00K2031	68	21	1F08
	RADIO		85	21	1G09	E1900009509	シ"ル"キ"ツ" (ス"リ"ツ"ク"フ"-6ヨ"ク)	Y00K2031	71	13	1F11
E1705015602	アンテナ	Y00K2031	85	6	1G09		シ"ル"キ"ツ" (ス"リ"ツ"ク"フ"-6ヨ"ク)	Y00K2031	71	16	1F11
	ANTENNA ASSY.		85	24	1G09	E1900011103	シ"ル"キ"ツ" (ス"リ"ツ"ク"フ"-6ヨ"ク)	Y00K2031	71	18	1F11
E1705015605	スピーカー	Y00K2031	85	9	1G09		シ"ル"キ"ツ" (ス"リ"ツ"ク"フ"-6ヨ"ク)	Y00K2031	71	14	1F11
	SPEAKER		85	25	1G09	E1900011106	シ"ル"キ"ツ" (ス"リ"ツ"ク"フ"-6ヨ"ク)	Y00K2031	71	15	1F11
E1711910010	ウィンドウ	Y00K2031	85	21	1G09		シ"ル"キ"ツ" (ス"リ"ツ"ク"フ"-6ヨ"ク)	Y00K2031	71	2	1F11
	WINDOW WASHER		85	22	1G09	E1900011108	シ"ル"キ"ツ" (ス"リ"ツ"ク"フ"-6ヨ"ク)	Y00K2031	71	2	1F11
E1711910011	ノズル	Y00K2031	85	22	1G09		シ"ル"キ"ツ" (ス"リ"ツ"ク"フ"-6ヨ"ク)	Y00K2031	71	13	1F11
	NOZZLE		85	23	1G09	E1900011150	シ"ル"キ"ツ" (ス"リ"ツ"ク"フ"-6ヨ"ク)	Y00K2031	71	14	1F11
E1711910012	ケース	Y00K2031	85	23	1G09		シ"ル"キ"ツ" (ス"リ"ツ"ク"フ"-6ヨ"ク)	Y00K2031	71	15	1F11
	CASE		85	24	1G09	E1900011155	シ"ル"キ"ツ" (ス"リ"ツ"ク"フ"-6ヨ"ク)	Y00K2031	71	15	1F11
E1711910013	ホース	Y00K2031	85	24	1G09		シ"ル"キ"ツ" (ス"リ"ツ"ク"フ"-6ヨ"ク)	Y00K2031	71	15	1F11
	HOSE		85	25	1G09	E1900011199	シ"ル"キ"ツ" (ス"リ"ツ"ク"フ"-6ヨ"ク)	Y00K2031	71	2	1F11
E1711910015	ブラケット	Y00K2031	85	25	1G09		シ"ル"キ"ツ" (ス"リ"ツ"ク"フ"-6ヨ"ク)	Y00K2031	71	2	1F11
	BRACKET		25	12	1C10	E1900012203	シ"ル"キ"ツ" (ス"リ"ツ"ク"フ"-6ヨ"ク)	Y00K2031	73	13	1F13
E1730045074	7"メ"タ"ー	Y00K2031	25	12	1C10		シ"ル"キ"ツ" (ス"リ"ツ"ク"フ"-6ヨ"ク)	Y00K2031	73	13	1F13
	HOUR METER		25	12	1C10		シ"ル"キ"ツ" (ス"リ"ツ"ク"フ"-6ヨ"ク)	Y00K2031	73	13	1F13
E1730085970	7"メ"タ"ー	Y00K2031	25	12	1C10		シ"ル"キ"ツ" (ス"リ"ツ"ク"フ"-6ヨ"ク)	Y00K2031	73	13	1F13
	HOUR-METER		25	11	1C10		シ"ル"キ"ツ" (ス"リ"ツ"ク"フ"-6ヨ"ク)	Y00K2031	73	13	1F13
E1730100010	7"メ"タ"ー	Y00K2031	25	11	1C10		シ"ル"キ"ツ" (ス"リ"ツ"ク"フ"-6ヨ"ク)	Y00K2031	73	13	1F13
	THERMOMETER		25	11	1C10		シ"ル"キ"ツ" (ス"リ"ツ"ク"フ"-6ヨ"ク)	Y00K2031	73	13	1F13

PART NO.	DESCRIPTION	PC NO.	GRP.	REF.	LOC. NO.	PART NO.	DESCRIPTION	PC NO.	GRP.	REF.	LOC. NO.
E1900012409	ナット NUT	Y00K2031	73	18	1F13	E1900013499	シールキット KIT, SEAL	Y00K2031	70	2	1F10
E1900013303	ヘッドカバー COVER, HEAD	Y00K2031	64	15	1F04	E1900015100	シリンダー刃 CYLINDER, BLADE	Y00K2031	5	18	1B06
E1900013304	リテーナ RETAINER	Y00K2031	64	16	1F04				6	18	1B07
E1900013306	ピストン PISTON	Y00K2031	64	20	1F04	E1900015101	ロッド、ピストン ROD, PISTON	Y00K2031	72	11	1F12
			65	20	1F05	E1900015107	φ2-7"パイプ PIPE	Y00K2031	72	17	1F12
			67	20	1F07	E1900016002	ブッシュ BUSH	Y00K2031	64	14	1F04
E1900013315	スペーサ SPACER	Y00K2031	64	23	1F04				65	14	1F05
			67	23	1F07				66	14	1F06
E1900013316	クッションリング RING, CUSHION	Y00K2031	64	24	1F04				67	14	1F07
E1900013350	Uリングホルダ HOLDER, U-RING	Y00K2031	64	18	1F04	E1900020300	シリンダー、スイング CYLINDER, SWING	Y00K2031	9	29	1B10
			65	18	1F05				10	31	1B11
			66	18	1F06				73	1	1F13
			67	18	1F07	E1900020301	ロッド、ピストン ROD, PISTON	Y00K2031	73	11	1F13
E1900013355	Uリングホルダ HOLDER, U-RING	Y00K2031	64	19	1F04	E1900020302	ブッシュ BUSH	Y00K2031	73	12	1F13
			65	19	1F05	E1900020306	ピストン PISTON	Y00K2031	73	15	1F13
			66	19	1F06	E1900020307	φ2-7"チューブ TUBE	Y00K2031	73	16	1F13
			67	19	1F07	E1900020399	シールキット SEAL SET	Y00K2031	73	2	1F13
E1900013400	シリンダーアーム CYL. ASSY, ARM	Y00K2031	50	42	1E05	E1900020502	ブッシュ BUSH	Y00K2031	74	13	1F14
			51	50	1E06	E1900023607	φ2-7"チューブ TUBE	Y00K2031	71	17	1F11
			70	1	1F10	E1900023618	カバー COVER	Y00K2031	71	26	1F11
E1900013401	ロッド、ピストン ROD, PISTON	Y00K2031	69	11	1F09	E1900023812	ガイド、スプリング GUIDE, SPRING	Y00K2031	65	28	1F05
E1900013403	ヘッドカバー COVER, ROD	Y00K2031	69	14	1F09				66	28	1F06
			70	14	1F10				68	23	1F08
E1900013406	ピストン PISTON	Y00K2031	69	17	1F09	E1900023816	クッションリング CUSHION RING	Y00K2031	65	26	1F05
			70	17	1F10				66	26	1F06
E1900013407	φ2-7"パイプ PIPE	Y00K2031	70	18	1F10				68	25	1F08
E1900013414	スナップリング SNAP RING	Y00K2031	69	24	1F09	E1900023905	ベアリング BEARING	Y00K2031	64	17	1F04
			70	24	1F10	E1900023999	シールキット SEAL SET	Y00K2031	64	2	1F04
E1900013450	プレート PLATE	Y00K2031	69	15	1F09	E1900024300	メインシリンダー CYLINDER, MAIN BOOM	Y00K2031	48	41	1E03
			70	15	1F10				66	1	1F06
E1900013455	ホルダ、パッキング HOLDER, PACKING	Y00K2031	69	16	1F09	E1900024301	ロッド、ピストン ROD, PISTON	Y00K2031	64	13	1F04
			70	16	1F10	E1900024307	φ2-7"パイプ PIPE	Y00K2031	64	21	1F04
E1900013499	シールキット KIT, SEAL	Y00K2031	69	2	1F09						

7"EH"HA"J"K"U"V" PART NO.	7"EH"HA"J"K"U"V" DESCRIPTION	PC NO.	7"EH"HA"J"K"U"V" GRP.	7"EH"HA"J"K"U"V" REF.	7"EH"HA"J"K"U"V" LOC. NO.	7"EH"HA"J"K"U"V" PART NO.	7"EH"HA"J"K"U"V" DESCRIPTION	PC NO.	7"EH"HA"J"K"U"V" GRP.	7"EH"HA"J"K"U"V" REF.	7"EH"HA"J"K"U"V" LOC. NO.
E1900024400	7"EH"HA"J"K"U"V" CYLINDER, MAIN BOOM	Y00K2031	49	41	1E04	E1900029300	7"EH"HA"J"K"U"V" CYLINDER, MAIN BOOM	Y00K2031	48	41-1	1E03
E1900024401	7"EH"HA"J"K"U"V" ROD, PISTON	Y00K2031	65	1	1F05	E1900029304	7"EH"HA"J"K"U"V" RETAINER	Y00K2031	66	1-1	1F04
E1900024403	7"EH"HA"J"K"U"V" COVER, ROD	Y00K2031	65	13	1F05	E1900029305	7"EH"HA"J"K"U"V" CUSHION, ROD	Y00K2031	66	16-1	1F04
E1900024404	7"EH"HA"J"K"U"V" RETAINER	Y00K2031	66	15	1F06	E1900029316	7"EH"HA"J"K"U"V" BEARING	Y00K2031	67	16	1F07
E1900024407	7"EH"HA"J"K"U"V" TUBE	Y00K2031	65	16	1F05	E1900030400	7"EH"HA"J"K"U"V" CYL. ASSY, SWING	Y00K2031	67	17	1F07
E1900024411	7"EH"HA"J"K"U"V" SPRING	Y00K2031	66	16	1F06	E1900030401	7"EH"HA"J"K"U"V" PISTON	Y00K2031	68	16	1F08
E1900024415	7"EH"HA"J"K"U"V" SPACER	Y00K2031	65	21	1F05	E1900030403	7"EH"HA"J"K"U"V" COVER, ROD	Y00K2031	68	16	1F08
E1900024425	7"EH"HA"J"K"U"V" COILED SCRAPER	Y00K2031	66	27	1F06	E1900030404	7"EH"HA"J"K"U"V" RETAINER	Y00K2031	65	17	1F05
E1900024499	7"EH"HA"J"K"U"V" SEAL SET	Y00K2031	66	27	1F06	E1900030405	7"EH"HA"J"K"U"V" CUSHION	Y00K2031	66	17	1F06
E1900024900	7"EH"HA"J"K"U"V" CYL., BUCKET	Y00K2031	68	22	1F08	E1900030406	7"EH"HA"J"K"U"V" PISTON	Y00K2031	65	24	1F05
E1900024901	7"EH"HA"J"K"U"V" ROD, PISTON	Y00K2031	66	24	1F06	E1900030407	7"EH"HA"J"K"U"V" TUBE	Y00K2031	66	24	1F06
E1900026500	7"EH"HA"J"K"U"V" CYLINDER, ARM	Y00K2031	65	2	1F05	E1900030409	7"EH"HA"J"K"U"V" NUT	Y00K2031	65	2	1F05
E1900026507	7"EH"HA"J"K"U"V" TUBE, CYLINDER	Y00K2031	66	2	1F06	E1900030415	7"EH"HA"J"K"U"V" SPACER	Y00K2031	66	2	1F06
E1900026509	7"EH"HA"J"K"U"V" CASTLE NUT	Y00K2031	49	43	1E04	E1900030416	7"EH"HA"J"K"U"V" CUSHION RING	Y00K2031	49	43	1E04
E1900026600	7"EH"HA"J"K"U"V" CYL. ASSY, MAIN BOOM	Y00K2031	50	43	1E05	E1900030450	7"EH"HA"J"K"U"V" PLATE	Y00K2031	51	51	1E06
E1900026601	7"EH"HA"J"K"U"V" ROD, PISTON	Y00K2031	71	1	1F11	E1900030429	7"EH"HA"J"K"U"V" SEAL SET	Y00K2031	71	1	1F11
E1900026606	7"EH"HA"J"K"U"V" PISTON	Y00K2031	48	42	1E03	E1900030500	7"EH"HA"J"K"U"V" SEAL SET	Y00K2031	48	42	1E03
E1900026607	7"EH"HA"J"K"U"V" TUBE	Y00K2031	49	42	1E04	E1900030501	7"EH"HA"J"K"U"V" CYL. ASSY, MAIN BOOM	Y00K2031	49	42	1E04
E1900026507	7"EH"HA"J"K"U"V" TUBE, CYLINDER	Y00K2031	69	1	1F09	E1900030501	7"EH"HA"J"K"U"V" PISTON ROD	Y00K2031	69	1	1F09
E1900026509	7"EH"HA"J"K"U"V" CASTLE NUT	Y00K2031	69	18	1F09	E1900030503	7"EH"HA"J"K"U"V" COVER, ROD	Y00K2031	69	18	1F09
E1900026600	7"EH"HA"J"K"U"V" CYL. ASSY, MAIN BOOM	Y00K2031	49	41-1	1E04	E1900030507	7"EH"HA"J"K"U"V" TUBE	Y00K2031	68	15	1E08
E1900026601	7"EH"HA"J"K"U"V" ROD, PISTON	Y00K2031	66	1	1F06	E1900030507	7"EH"HA"J"K"U"V" TUBE	Y00K2031	67	21	1F07
E1900026606	7"EH"HA"J"K"U"V" PISTON	Y00K2031	66	13	1F06	E1900030599	7"EH"HA"J"K"U"V" SEAL SET	Y00K2031	67	2	1E07
E1900026607	7"EH"HA"J"K"U"V" TUBE	Y00K2031	66	20	1F06	E1900030699	7"EH"HA"J"K"U"V" SEAL SET	Y00K2031	68	2	1F08
E1900031900	7"EH"HA"J"K"U"V" MAIN BOOM CYLINDER	Y00K2031	66	21	1F06	E1900031900	7"EH"HA"J"K"U"V" MAIN BOOM CYLINDER	Y00K2031	51	49	1E06
									68	1	1F08

PART NO.	DESCRIPTION	PC NO.	GRP.	REF.	LOC.NO.	PART NO.	DESCRIPTION	PC NO.	GRP.	REF.	LOC.NO.
E1901016115	ハウジング HOUSING	Y00K2031	93	10	1H01	E1901020121	CONTROL VALVE ASSY. リリ-バルブ	Y00K2031	93	42	1H01
E1901016116	ハウジング HOUSING	Y00K2031	62	5	1F02	E1901020300	VALVE,RELIEF コントロールバルブ	Y00K2031	88	1	1G12
E1901016119	アンロードバルブ ANLOAD VALVE	Y00K2031	93	5	1H01				93	1	1H01
E1901016156	スプリング SPRING	Y00K2031	62	26	1F02	E1901020304	ハウジング,OUTLET アウトレット	Y00K2031	93	14	1H01
E1901016157	スプリング SPRING	Y00K2031	93	26	1H01	E1901020306	タイロッド TIE ROD	Y00K2031	62	39	1F02
E1901016190	アンロードバルブ ANLOAD VALVE	Y00K2031	62	31	1F02	E1901020313	ハウジング,BUCKET ハウジング,TURNING	Y00K2031	93	39	1H01
E1901016191	スプリングホルダー SPRING HOLDER	Y00K2031	93	31	1H01	E1901020314	ハウジング,TURNING	Y00K2031	93	2	1H01
E1901016192	ピストン PISTON	Y00K2031	62	30	1F02	E1901020317	ハウジング,BLADE ハウジング,SWING	Y00K2031	93	3	1H01
E1901016822	リリ-バルブ VALVE,RELIEF	Y00K2031	93	30	1H01	E1901020318	ハウジング,SWING パイロットバルブ	Y00K2031	93	8	1H01
E1901016915	ハウジング,DRIVING(L) ハウジング,DRIVING(R)	Y00K2031	62	32	1F02	E1901020319	VALVE,PILOT カバー	Y00K2031	93	50	1H01
E1901016916	ハウジング,DRIVING(R)	Y00K2031	93	32	1H01	E1901020383	カバー スプリング	Y00K2031	93	52	1H01
E1901017300	コントロールバルブ CMP CONTROL VALVE ASSY	Y00K2031	62	45	1F02	E1901020384	スプリング スペーサー	Y00K2031	93	51	1H01
E1901017304	ハウジング,OUTLET タイロッド	Y00K2031	61	7	1E16	E1901020391	スペーサー	Y00K2031	62	19	1F02
E1901017306	タイロッド	Y00K2031	93	45	1H01	E1901501100	コントロールバルブ VALVE,COUNTER BALAN.	Y00K2031	93	19	1H01
E1901017312	ハウジング,ARM ハウジング,SWING	Y00K2031	61	9	1E16	E1901511000	VALVE,COUNTER BALAN.	Y00K2031	63	1	1F03
E1901017318	ハウジング,SWING ハウジング,SWING	Y00K2031	61	3	1E16	E1901701803	スリーブ	Y00K2031	63	4	1F03
E1901017319	ハウジング,SWING	Y00K2031	61	5	1E16	E1901701804	スリーブ	Y00K2031	92	5	1G16
E1901019122	アンロードバルブ VALVE,LOAD RELIEF	Y00K2031	61	45	1E16	E1901701805	コラー	Y00K2031	92	6	1G16
E1901019217	ハウジング HOUSING	Y00K2031	62	48	1F02	E1901701805	ストップ	Y00K2031	92	7	1G16
E1901019218	ハウジング HOUSING	Y00K2031	93	48	1H01	E1901708500	バルブ VALVE,BRAKE	Y00K2031	92	7	1G16
E1901019221	リリ-バルブ VALVE,RELIEF	Y00K2031	62	3	1F02	E1901708713	プラグ	Y00K2031	8	17	1B09
E1901020100	コントロールバルブ CMP CONTROL VALVE ASSY.	Y00K2031	62	9	1C15	E1901708717	レバー	Y00K2031	63	4	1F03
			62	1	1F02	E1901710403	チェック	Y00K2031	92	10	1G16
						E1901710403	チェック	Y00K2031	92	11	1G16
						E1901712400	バルブ VALVE,SELECTOR	Y00K2031	92	16	1G16
						E1901712400	バルブ VALVE,SELECTOR	Y00K2031	88	18	1G12
						E1902001199	シールキット SEAL KIT	Y00K2031	92	1	1G16
						E1902004900	シールキット SEAL KIT	Y00K2031	76	2	1F16
									36	14	1D05

(MF NO. Y00K2031)

↑-----↑
↑ 2L05 ↑
↑-----↑

*** PARTS INDEX ***

86.10.17

P. 37

7777777777 PART NO.	7777777777 DESCRIPTION	PC NO.	7777777777 GRP. REF.	7777777777 LOC. NO.	7777777777 PART NO.	7777777777 DESCRIPTION	PC NO.	7777777777 GRP. REF.	7777777777 LOC. NO.
E1902004900	PUMP ASSY, HYD. OIL	Y00K2031	76	1 1F16	E1905009035	HOSE, HIGH PRESS.	Y00K2031	91	15 1G15
E1902006299	2777777777 ASSY	Y00K2031	77	2 1G01	E1905009050	7777777777	Y00K2031	53	8 1E08
E1902007800	SEAL KIT	Y00K2031	36	15 1D05	E1905009075	HOSE, HIGH-PRESSURE	Y00K2031	54	14 1E09
	2777777777 ASSY					HOSE, HIGH PRESS.			
	PUMP ASSY, HYD. OIL		77	1 1G01	E1905009110	7777777777	Y00K2031	54	13 1E09
E1903001799	7777777777	Y00K2031	75	12 1F15		HOSE, HIGH PRESS.	Y00K2031	54	24 1E09
	SEAL KIT				E1905009114	7777777777			
E1903004300	7777777777	Y00K2031	4	1 1B05		HOSE, HIGH PRESS.	Y00K2031	54	25 1E09
	MOTOR, DRIVE				E1905009118	7777777777			
			75	1 1F15		HOSE, HIGH PRESS.			
E1903004301	7777777777 ASS'Y,	Y00K2031	75	3 1F15	E1905109085	7777777777	Y00K2031	53	9- 1 1E08
	HOLDER ASS'Y.					HOSE, HIGH-PRESS.			
			80	3 1G04	E1905209110	7777777777	Y00K2031	53	7 1E08
E1903004303	7777777777	Y00K2031	75	4 1F15		HOSE, HIGH-PRESSURE	Y00K2031	33	8 1D02
	BUCK UP RING				E1905212090	7777777777			
			80	4 1G04		HOSE, HIGH-PRESS.			
E1903004305	7777777777	Y00K2031	75	5 1F15	E1905212100	7777777777	Y00K2031	32	6 1D01
	X-RING					HOSE, HIGH-PRESS.			
			80	5 1G04	E1905212105	7777777777	Y00K2031	33	7 1D02
E1903004308	7777777777	Y00K2031	75	6 1F15		HOSE, HIGH-PRESS.	Y00K2031	32	7 1D01
	DRIVE GEAR				E1905212140	7777777777			
			80	6 1G04		HOSE			
E1903004320	7777777777	Y00K2031	75	8 1F15	E1905309090	7777777777	Y00K2031	53	10- 1 1E08
	PIECE, THRUST					HOSE, HIGH-PRESS.			
			80	8 1G04	E1905512140	7777777777	Y00K2031	33	6 1D02
E1903004321	7777777777	Y00K2031	75	9 1F15		HOSE, HIGH-PRESS.	Y00K2031	91	14 1G15
	COVER				E1905903075	7777777777			
			80	9 1G04		HOSE, HIGH PRESS.			
E1903004399	7777777777	Y00K2031	75	2 1F15	E1905903110	7777777777	Y00K2031	91	13 1G15
	KIT, SEAL					HOSE, HIGH PRESS.			
			80	2 1G04	E1905903114	7777777777	Y00K2031	91	24 1G15
E1903004400	7777777777	Y00K2031	8	12 1D09		HOSE, HIGH PRESS.	Y00K2031	91	25 1G15
	MOTOR, TURNING				E1905903118	7777777777			
			75	11 1F15		HOSE, HIGH PRESS.			
E1903006700	7777777777 ASSY	Y00K2031	78	25 1G02	E1908109085	7777777777 (SP77) 9X850	Y00K2031	53	9 1E08
	MOTOR, DRIVING					PIPE 9X 850			
			79	25 1G03				54	16 1E09
			80	1 1G04				91	16 1G15
E1904000893	7777777777	Y00K2031	60	12 1E15	E1908309070	7777777777	Y00K2031	7	1 1B08
	CIRCLIP, SHAFT					PIPE, HIGH PRESSURE			
E1904001695	7777777777	Y00K2031	60	3 1E15	E1908309090	7777777777	Y00K2031	53	10 1E08
	SEAL, DUST					HOSE, HIGH-PRESSURE			
E1904003791	7777777777	Y00K2031	60	11 1E15	E1908609075	7777777777 9X750	Y00K2031	7	2 1B08
	WASHER, THRUST					PIPE (9X750)			
E1904003799	7777777777	Y00K2031	60	2 1E15	E1909008025	7777777777	Y00K2031	34	5 1D03
	SEAL KIT					HOSE, HIGH-PRESS.			
E1904003800	7777777777	Y00K2031	1	18 1B02	E1909008030	7777777777	Y00K2031	34	6 1D03
	JOINT					HOSE, HIGH-PRESS.			
			60	1 1E15				35	14 1D04
E1904790001	7777777777	Y00K2031	91	26 1G15	E1909008033	7777777777	Y00K2031	34	15 1D03
	HOSE, HIGH PRESS.					HOSE, HIGH-PRESS.		89	3 1G13
E1905009035	7777777777	Y00K2031	54	15 1E09					

PART NO.	DESCRIPTION	PC NO.	GRP.	REF.	LOC. NO.	PART NO.	DESCRIPTION	PC NO.	GRP.	REF.	LOC. NO.
X21201110	BOLT STOPPER SET	Y00K2031	129	4	1J16	102103-55520	O-RING	Y00K2031	122	22	1J09
X21201115	WASHER SET, THRUST	Y00K2031	129	3	1J16	103854-11490	INSULATOR	Y00K2031	105	52	1108
X21201313	SPRING, BRUSH	Y00K2031	129	12	1J16	103854-51251	PIN, PLUNGER	Y00K2031	120	31	1J07
X21201605	LEVER SET	Y00K2031	129	19	1J16	103854-51660	SCREW	Y00K2031	120	27	1J07
X21202601	METAL, GEAR CASE	Y00K2031	129	17	1J16	103854-53100	HOLDER ASSY, NOZZLE	Y00K2031	121	4	1J08
X21202602	COVER SET	Y00K2031	129	18	1J16	103854-53120	SPRING, NOZZLE	Y00K2031	121	6	1J08
X212037002	SWITCH ASSY, MAGNET.	Y00K2031	129	20	1J16	103854-53180	RETAINER, SPRING	Y00K2031	121	9	1J08
X21204259	COIL ASSY	Y00K2031	129	5	1J16	104104-67300	SPRING, RETURN	Y00K2031	126	14	1J13
X21204302	METAL, COVER BEARING	Y00K2031	129	9	1J16	104200-11180	RETAINER, SPRING	Y00K2031	105	8	1108
X21204401	METAL, CENTER BERG.	Y00K2031	129	14	1J16	104200-14200	TAPPET	Y00K2031	108	7	1111
X212045001	PINION ASSY	Y00K2031	129	15	1J16	104200-22300	PIN, PISTON	Y00K2031	110	7	1113
X21204810	BOLT, THROUGH	Y00K2031	129	21	1J16	104200-53080	HOLDER, VALVE W/CASE	Y00K2031	121	3	1J08
X21205310	HOLDER ASSY, BRUSH	Y00K2031	129	10	1J16	104200-55080	PLUG	Y00K2031	99	17	1102
X21205400	BEARING ASSY	Y00K2031	129	13	1J16	104200-55321	VALVE, TAPER	Y00K2031	122	5	1J09
X21205656	CASE ASSY, GEAR	Y00K2031	129	16	1J16	104200-55330	SPRING	Y00K2031	122	3	1J09
X21207100	ARMATURE ASSY	Y00K2031	129	2	1J16	104200-55341	HANDLE, COCK	Y00K2031	122	4	1J09
X21207312	BRUSH	Y00K2031	129	11	1J16	104200-55750	SCREW	Y00K2031	122	7	1J09
X21209311	BRUSH (+)	Y00K2031	129	7	1J16	104200-59170	GASKET 12	Y00K2031	124	8	1J11
X22501300	COVER ASSY, REAR	Y00K2031	129	8	1J16	104200-61200	WEIGHT, GOVERNOR	Y00K2031	125	4	1J12
101147-11900	FLANGE	Y00K2031	105	53	1108	104200-92350	SCREWDRIIVER	Y00K2031	59	4	1E14
101147-59810	BOLT, PIPE JOINT	Y00K2031	124	18	1J11	104211-11100	VALVE, SUCTION	Y00K2031	105	3	1K03
101158-11190	COTTER	Y00K2031	105	9	1108	104211-11110	VALVE, EXHAUST	Y00K2031	105	4	1108
101158-11230	SCREW, VALVE	Y00K2031	105	29	1108	104211-11370	CAP	Y00K2031	105	12	1108
101304-59020	JOINT 12, PIPE	Y00K2031	124	7	1J11	104211-21600	GEAR, RING	Y00K2031	109	11	1112
101720-55750	PLUG	Y00K2031	122	27	1J09	105025-59530	FO-T	Y00K2031	124	2	1J11
102103-55520	O-RING	Y00K2031	122	14	1J09						

PART NO.	DESCRIPTION	PC NO.	GRP.	REF.	LOC. NO.	PART NO.	DESCRIPTION	PC NO.	GRP.	REF.	LOC. NO.
105025-59530	FUEL PIPE (STR.-PUMP) FO-T (コキキ-ホウフ)	Y00K2031	124	3	1J11	121420-01760	O-RING	Y00K2031	100	12	1103
105225-11350	クエキホウシ (ホホ-ト) STUD	Y00K2031	105	11	1J08	121450-01210	O-RING ワツト (ワツトホウシ)	Y00K2031	99	5	1102
105225-21501	ホウシ (ワツト) BOLT, FLYWHEEL	Y00K2031	109	7	1J12	121450-01220	STUD, CYL. HEAD ワツト (ワツトホウシ)	Y00K2031	99	6	1102
105425-59512	FOH*17* (コキキ-P) PIPE, FUEL OIL	Y00K2031	124	5	1J11	121450-01531	NUT, CYL HEAD ハツキコ (ワツト)	Y00K2031	100	9	1103
110250-53150	FOH*17* (コキキ-P) SHIM SET	Y00K2031	121	8	1J08	121450-01560	GASKET, COVER クエキホウシ 8X22	Y00K2031	100	4	1103
110250-55610	ワツト (コキキ) RETAINER, BOWL	Y00K2031	122	15	1J09	121450-01570	STUD M 8X22 クエキホウシ	Y00K2031	100	17	1103
113200-53110	ワツト (コキキ) SPINDLE	Y00K2031	121	5	1J09	121450-01710	STUD ホウシ (ワツト)	Y00K2031	99	22	1102
113200-53120	ワツト (コキキ) SHOE, SPRING	Y00K2031	121	7	1J08	121450-01801	BOLT ワツト (ワツト)	Y00K2031	100	18	1103
121000-42010	CM-P CHP PUMP ASSY, C. WATER	Y00K2031	116	1	1J03	121450-01891	SEAL TC25 40 8, OIL ワツト (ワツト)	Y00K2031	99	26	1102
121000-42051	CMホウシ PK GASKET	Y00K2031	116	2	1J03	121450-01990	ワツト (ワツト) PLUG 30	Y00K2031	99	10	1102
121000-42100	CMホウシ COMP PUMP ASSY, C. WATER	Y00K2031	116	3	1J03	121450-03012	ワツト (ワツト) BODE, BREATHER	Y00K2031	103	2	1106
121000-42120	CMホウシ (ワツト) BRACKET, C.W. PUMP	Y00K2031	116	10	1J03	121450-03020	ワツト (ワツト) BODE, BREATHER	Y00K2031	103	3	1106
121023-12570	ワツト (ホホ-ト) PAD	Y00K2031	106	12	1J09	121450-03030	ワツト (ワツト) STEEL WOOD PD24W28T18	Y00K2031	103	4	1106
121023-77910	ワツト (ワツト) PLUG, THERMOSTART	Y00K2031	128	6	1J15	121450-11260	ワツト (ワツト) SUPPORT, ROCKER ARM	Y00K2031	105	44	1108
121085-01890	ワツト (ワツト) PLUG	Y00K2031	100	7	1103	121450-11270	ワツト (ワツト) SUPPORT, ROCKER ARM	Y00K2031	105	45	1108
121120-12560	ワツト (ワツト) WING BOLT	Y00K2031	106	8	1109	121450-11680	ワツト (ワツト) GASKET, COVER	Y00K2031	105	22	1108
121120-12570	ワツト (ワツト) WASHER	Y00K2031	106	9	1109	121450-14090	FOH6 CAM, FUEL	Y00K2031	108	5	1111
121120-77920	ワツト (ワツト) WIRE	Y00K2031	128	7	1J15	121450-14120	ワツト (ワツト) NUT	Y00K2031	108	3	1111
121150-51460	ワツト (ワツト) PIN	Y00K2031	120	23	1J07	121450-21541	ワツト (ワツト) NUT, CRANK SHAFT GEAR	Y00K2031	109	8	1112
121250-44901	ワツト (ワツト) SWITCH, THERMO (110°C)	Y00K2031	117	3	1J04	121450-21541	ワツト (ワツト) LOH*17* (ワツト)	Y00K2031	112	1	1115
121250-49121	ワツト (ワツト) PLUG	Y00K2031	118	6	1J05	121450-32021	GASKET ワツト (ワツト)	Y00K2031	112	3	1115
121250-55620	ワツト (ワツト) SPRING	Y00K2031	122	12	1J09	121450-32050	ワツト (ワツト) PIN	Y00K2031	112	3	1115
121250-59860	ワツト (ワツト) RETAINER (B)	Y00K2031	123	7	1J10	121450-42240	ワツト (ワツト) SHAFT, IMPELLER	Y00K2031	116	6	1J03
121254-55510	ワツト (ワツト) CUP, STRAINER	Y00K2031	122	16	1J09	121450-42260	V.ワツト (ワツト) FLANGE, V-PULLEY	Y00K2031	116	7	1J03
121257-55720	ワツト (ワツト) SPRING	Y00K2031	122	24	1J09	121450-42310	ワツト (ワツト) SEAL, MECHANICAL	Y00K2031	116	8	1J03
121257-55731	ワツト (ワツト) FLOAT	Y00K2031	122	25	1J09	121450-42350	V.ワツト (ワツト) V-PULLEY, C.W. PUMP	Y00K2031	116	13	1J03
						121450-44410	ワツト (ワツト) GASKET, BRACKET	Y00K2031	116	14	1J03
						121450-51500	ワツト (ワツト) RACK, CONTROL	Y00K2031	120	24	1J07

PART NO.	DESCRIPTION	PC NO.	GRP.	REF.	LOC. NO.	PART NO.	DESCRIPTION	PC NO.	GRP.	REF.	LOC. NO.
121450-59550	FO-T(OBXLB0 PIPE, FUEL RETURN	Y00K2031	124	15	1J11	121521-49010	RADIATOR DITTO	Y00K2031	118	1	1J05
121450-59850	BRACKET (A)	Y00K2031	123	6	1J10	121521-49020	PIPE (A), C. WATER C/W (C/W) (C/W)	Y00K2031	118	2	1J05
121450-61001	LEVER, GOVERNOR	Y00K2031	125	1	1J12	121521-49100	PIPE, COOLING WATER BODY, COCK	Y00K2031	118	4	1J05
121450-61101	WEIGHT ASSY, GOVERNOR	Y00K2031	125	3	1J12	121521-77330	ADJUSTER, BELT	Y00K2031	127	5	1J14
121450-61631	SPRING	Y00K2031	125	9	1J12	121522-01600	FLANGE, MOUNTING	Y00K2031	99	21	1102
121450-66010	SPRING, REGULATOR	Y00K2031	126	5	1J13	121522-21591	FLYWHEEL W/RING GEAR	Y00K2031	109	9	1112
121450-66170	BUSH, GOV. SHAFT	Y00K2031	126	8	1J13	121522-21651	V-PULLEY	Y00K2031	109	12	1112
121450-66180	LEVER, ASSY LIMIT	Y00K2031	126	6	1J13	121522-59500	FO-TET CMP	Y00K2031	124	10	1J11
121450-77200	GENERATOR	Y00K2031	127	4	1J14	121522-59560	PIPE, FUEL RETURN	Y00K2031	124	16	1J11
121454-66420	ADJUSTER	Y00K2031	130	1	1K01	121522-59810	PIPE, FUEL PIPE	Y00K2031	123	3	1J10
121456-91981	BOLT M 8X16	Y00K2031	102	2	1105	121522-59820	FO-TET CMP (A)	Y00K2031	123	4	1J10
121465-11950	NUT	Y00K2031	105	24	1108	121522-59830	PIPE, FUEL INJECTION	Y00K2031	123	5	1J10
121465-13582	BOLT 8X58	Y00K2031	107	8	1110	121522-77101	RELAY	Y00K2031	26	18	1C11
121465-59950	BOLT M 6X16, PLATED	Y00K2031	123	8	1J10				27	18	1C12
121500-12730	MANIFOLD, AIR INTAKE	Y00K2031	106	14	1109	121522-77712	LIMITTER	Y00K2031	26	17	1C11
121500-12790	JOINT	Y00K2031	106	16	1109				27	17	1C12
121500-49030	PIPE (C), C. WATER	Y00K2031	118	3	1J05	121522-77721	INDICATOR, CHARGING	Y00K2031	26	19	1C11
121505-12210	PIPE, AIR INTAKE	Y00K2031	106	2	1109				27	19	1C12
121505-12580	BRACKET ASSY.	Y00K2031	106	10	1109	121550-01200	BOLT, CYL. HEAD	Y00K2031	99	19	1102
121520-01850	GASKET	Y00K2031	99	28	1102	121550-01331	GASKET, CYL. HEAD	Y00K2031	99	20	1102
121520-01860	COVER	Y00K2031	99	29	1102	121550-02110	MAIN BEARING	Y00K2031	101	3	1104
121520-02100	MAIN BEARING	Y00K2031	101	5	1104	121550-02300	BOLT	Y00K2031	101	20	1104
121520-11300	BONNET, CYL. HEAD	Y00K2031	105	37	1108	121550-11240	SHAFT, ROCKER ARM	Y00K2031	105	41	1108
121520-35090	PIPE, OIL INLET	Y00K2031	114	1	1J01	121550-11280	SPRING	Y00K2031	105	46	1108
121520-61520	BEARING, NEEDLE	Y00K2031	125	6	1J12	121550-11290	WASHER	Y00K2031	105	47	1108
121520-61620	SUPPORT	Y00K2031	125	8	1J12	121550-11310	GASKET, BONNET	Y00K2031	105	38	1108
121521-44500		Y00K2031	117	1	1J04	121550-11400	GASKET, BONNET (F)	Y00K2031	105	49	1108

PART NO.	DESCRIPTION	PC NO.	GRP.	REF.	LOC.NO.	PART NO.	DESCRIPTION	PC NO.	GRP.	REF.	LOC.NO.	
121550-11411	CHAMBER, FRONT チャンバ(前)	Y00K2031	105	50	1108	124060-01050	プラグ PLUG PT1/8	Y00K2031	99	3	1102	
121550-11451	CHAMBER, REAR チャンバ-PK D29/23.5	Y00K2031	105	51	1108	124060-11120	バネ SPRING, VALVE	Y00K2031	100	3	1103	
121550-13520	GASKET, CHAMBER ガスケット(チャンバ)	Y00K2031	107	7	1110	124060-11160	バネ GUIDE, VALVE	Y00K2031	105	5	1108	
121550-14400	GASKET ガスケット	Y00K2031	108	8	1111	124060-23100	ピストンピン BUSH, PISTON PIN	Y00K2031	105	6	1108	
121550-22090	ROD, PUSH ロッド CMP	Y00K2031	110	1	1113	124060-51300	バネ BUSH, PISTON PIN	Y00K2031	111	3	1114	
121550-23200	PISTON W/RINGS ピストン	Y00K2031	110	1	1113	124060-51300	バネ VALVE W/SEAT, DELIV.	Y00K2031	120	15	1J07	
121550-23200	BOLT, ROD ボルト PF1/4	Y00K2031	111	4	1114	124060-77680	クランプ CLAMP	Y00K2031	124	17	1J11	
121550-35100	ROD, PUSH ロッド PF1/4	Y00K2031	114	2	1J01					20	1J11	
121550-35110	CAP NUT ナット	Y00K2031	114	3	1J01	124064-55510	カップ CUP, STRAINER	Y00K2031	128	1	1J15	
121550-35110	GASKET 18 ガスケット 18	Y00K2031	114	3	1J01	124064-55510	カップ CUP, STRAINER	Y00K2031	122	21	1J09	
121550-39200	LOAD ロード	Y00K2031	115	2	1J02	124066-59100	クランプ CLAMP, PIPE	Y00K2031	124	14	1J11	
121550-49111	PIPE, LUB OIL パイプ PT1/4	Y00K2031	118	5	1J05					22	1J11	
121550-51100	JOINT PI1/4 ジョイント PI1/4	Y00K2031	118	5	1J05	124085-01900	ガイド GUIDE, O-RING	Y00K2031	99	8	1102	
121551-01100	PLUNGER W/BARREL プランジャ	Y00K2031	120	3	1J07	124085-35300	バルブアッセンブリ VALVE ASSY, CONTROL	Y00K2031	114	6	1J01	
121551-01100	LINER, CYLINDER ライナー	Y00K2031	99	4	1102	124085-35350	バルブアッセンブリ VALVE ASSY, CONTROL	Y00K2031	114	7	1J01	
121551-02220	SEAL, OIL シール	Y00K2031	101	4	1104	124160-01650	ロックナット LOCK NUT M20	Y00K2031	114	7	1J01	
121551-12710	GASKET ガスケット	Y00K2031	106	13	1109					103	1	1106
121551-34800	DIPSTICK, LUB. OIL フォメツク CMP	Y00K2031	113	1	1116	124160-01751	クランプ CLAMP	Y00K2031	103	1	1106	
121567-66551	CONTROLLER ASSY コントローラアッセンブリ	Y00K2031	126	13	1J13					124	1	1J11
121575-01510	GASKET, GEAR CASE ガスケット(ギヤケース)	Y00K2031	100	16	1103	124160-01751	クランプ CLAMP	Y00K2031	100	11	1103	
121575-01750	GASKET, OIL PAN ガスケット(オイルパン)	Y00K2031	99	23	1102	124160-11360	ナット NUT, CAP	Y00K2031	105	39	1108	
121575-07230	LIFTER, ENGINE リフター	Y00K2031	104	2	1107	124160-39140	ボルト BOLT, PIPE JOINT	Y00K2031	105	48	1108	
121737-49160	PIPE (B), W. DRAIN パイプ(B), W. DRAIN	Y00K2031	118	8	1J05	124160-39450	センサー SENDER, OIL PRESSURE	Y00K2031	115	4	1J02	
121750-59090	JOINT ジョイント	Y00K2031	124	12	1J11	124160-49480	ジョイント JOINT, PIPE	Y00K2031	118	9	1J05	
121750-77800	TANK, HEADER タンク	Y00K2031	38	30	1D07	124220-51890	リベット RIVET	Y00K2031	120	29	1J07	
123325-59100	RETAINER リテーナ	Y00K2031	128	4	1J15	124240-01871	カバー COVER	Y00K2031	99	24	1102	
123325-59110	COVER カバー	Y00K2031	123	2	1J10	124240-01882	ガスケット GASKET	Y00K2031	99	25	1102	
123682-44210	CAP キャップ	Y00K2031	117	2	1J04	124250-49351	サーモメータ THERMOMETER	Y00K2031	117	5	1J04	
124001-42290	V-BELT (A-36) Vベルト	Y00K2031	116	12	1J03	124250-49360	パッキング PACKING	Y00K2031	117	6	1J04	
						124250-77012	スタータ STARTER (S12-77A)	Y00K2031	127	1	1J14	
						124450-11900	プラグ PLUG	Y00K2031	129	1	1J16	

7"כס"י ח"י PART NO.	7"כס"י DESCRIPTION	PC NO.	כנס GRP.	מ"מ REF.	מ"מ LOC. NO.	7"כס"י ח"י PART NO.	7"כס"י DESCRIPTION	PC NO.	כנס GRP.	מ"מ REF.	מ"מ LOC. NO.
124450-35110	GASKET O-RING (LONJ) O-RING	Y00K2031	114	5	1J01	124950-11340	NOZZLE ASSY, F. INJECT H"כס"י 7"כס"י	Y00K2031	105	10	1108
124450-39240	RETAINDER, PIPE רצ"ת (12)	Y00K2031	115	3	1J02	124950-51190	SEAL, VALVE STEM רצ"ת (12)	Y00K2031	120	8	1J07
124460-77820	BRACKET (B), TANK	Y00K2031	38	31	1007	124950-51270	SPRING, PLUNGER H"כס"י	Y00K2031	120	14	1J07
124465-44950	PACKING 16	Y00K2031	128	5	1J15	124950-51450	PACKING H"כס"י	Y00K2031	120	22	1J07
124550-35110	ELEMENT, LUB OIL ELEMNT	Y00K2031	117	4	1J04	124950-51510	PIECE, GUIDE E"כס"י	Y00K2031	120	25	1J07
124550-35350	REMOVER	Y00K2031	114	4	1J01	124950-51640	PINION FO"כס"י	Y00K2031	120	26	1J07
124550-51320	SPRING, DELIV. VALVE L43	Y00K2031	59	6	1E14	128272-11170	SHIM SET, CONTROL H"כס"י	Y00K2031	105	7	1108
124550-51341	RETAINER L43	Y00K2031	132	1	1K03	129155-59190	GUIDE, VALVE H"כס"י	Y00K2031	124	9	1J11
124550-51350	GASKET	Y00K2031	120	19	1J07	129301-02801	BOLT, PIPE JOINT H"כס"י	Y00K2031	102	1	1105
124550-51370	O-RING	Y00K2031	120	20	1J07	129301-11670	HOUSING צ"כס"י	Y00K2031	105	21	1108
124550-55700	STRAINER, FUEL L=92	Y00K2031	120	21	1J07	129305-07950	COVER H"כס"י	Y00K2031	104	1	1107
124550-59030	JOINT, PIPE 8	Y00K2031	122	13	1J09	129322-77400	NUT H"כס"י	Y00K2031	38	33	1007
124550-59090	JOINT, PIPE 8	Y00K2031	124	11	1J11	129322-77400	PUMP, FEED H"כס"י	Y00K2031	100	10	1103
124550-59820	BOLT 8, PIPE JOINT	Y00K2031	124	13	1J11	129327-13650	COVER, CYL BLOCK H"כס"י	Y00K2031	107	9	1110
124550-66370	LOCK NUT	Y00K2031	115	5	1J02	129327-66000	STAY H"כס"י	Y00K2031	126	2	1J13
124550-77030	COVER, TERMINAL	Y00K2031	126	11	1J13	129327-66200	HANDLE ASSY, REGULAT H"כס"י	Y00K2031	126	10	1J13
124700-44740	FAN, COOLING	Y00K2031	127	2	1J14	129334-77710	SUPPORT, ACCELE. WIR H"כס"י	Y00K2031	128	2	1J15
124722-49150	HOSE (A), WATER DRAIN	Y00K2031	117	8	1J04	129334-77710	PIPE, FUEL H"כס"י	Y00K2031	128	2	1J15
124732-77720	LAMP, CHARGING	Y00K2031	117	8	1J04	129335-55700	SEPARATOR, WATER H"כס"י	Y00K2031	38	32	1007
124732-77850	THERMOMETER	Y00K2031	118	7	1J05	129335-55700	SEPARATOR, WATER H"כס"י	Y00K2031	38	32	1007
124732-77970	LAMP, PILOT	Y00K2031	25	7	1E10	129350-01230	STUD, CYL. HEAD H"כס"י	Y00K2031	122	17	1J09
124756-12510	ELEMENT, AIR CLEANER	Y00K2031	25	7	1E10	129350-01230	STUD, CYL. HEAD H"כס"י	Y00K2031	99	7	1102
124766-59050	CLAMP 12	Y00K2031	131	1	1K02	129350-02050	PIPE H"כס"י	Y00K2031	101	13	1104
124770-53000	CMP	Y00K2031	25	10	1E10	129350-02070	BOLT H"כס"י	Y00K2031	101	10	1104
			131	2	1K02	129350-02070	BOLT H"כס"י	Y00K2031	101	10	1104
			131	3	1K02	129350-12500	CLEANER, AIR H"כס"י	Y00K2031	106	3	1109
			106	4	1I09	129350-12500	CLEANER, AIR H"כס"י	Y00K2031	106	3	1109
			118	10	1J05	129350-12520	BODY, AIR CLEANER H"כס"י	Y00K2031	106	5	1109
			124	6	1J11	129350-12530	PAN, ASSY, DUST H"כס"י	Y00K2031	106	6	1109
			121	2	1J08	129350-12540	PAN, ASSY, DUST H"כס"י	Y00K2031	106	7	1109

PC NO.	DESCRIPTION	GRP.	REF.	LOC. NO.	PART NO.	DESCRIPTION	PC NO.	GRP.	REF.	LOC. NO.
129350-21200	BAFFLE 2500411	Y00K2031	109	13	1112	22137-040000	Y00K2031	25	39	1C10
129350-32090	GEAR, CRANK LO-ホキワ° CMP	Y00K2031	112	2	1115	22137-080000	Y00K2031	25	18	1C10
129350-42200	PUMP ASSY, LUB OIL 12011	Y00K2031	116	5	1103			40	36	1009
129350-49530	IMPELLER 9-エヌツツカハ-	Y00K2031	119	1	1106	22137-100000	Y00K2031	40	37	1009
129350-49540	COVER, THERMOSTAT ハツキワ(9-エヌツツカハ-)	Y00K2031	119	2	1106	22137-120000	Y00K2031	105	13	1108
129350-49800	GASKET 9-エヌツツ	Y00K2031	119	3	1106	22217-040000	Y00K2031	40	38	1009
129350-55600	THERMOSTAT FOONキ CMP	Y00K2031	38	29	1007	22217-040000	Y00K2031	130	12	1K01
129350-55810	STRAINER ASSY, FUEL 12011	Y00K2031	122	1	1109	22217-050000	Y00K2031	46	81	1016
129350-55820	BUITON スプリング(エフ-ス)	Y00K2031	122	8	1109			83	13	1607
129350-55830	SPRING スプリング	Y00K2031	122	9	1109	22217-060000	Y00K2031	84	18	1608
129350-61600	RETAINER ハツキワ(ゴバ)	Y00K2031	125	7	1112			120	33	1107
129530-14100	SLEEVE, GOVERNOR スリーブ	Y00K2031	108	6	1111			13	39	1814
135210-61090	GEAR, CAMSHAFT カムシャフト	Y00K2031	126	1	1113			15	54	1816
171008-03990	LEAD ホキワツツ(ワレツツPIPE)	Y00K2031	106	1	1109			25	34	1C10
171051-01921	CLAMP 25 クランプ	Y00K2031	99	9	1102			26	22	1C11
171061-12740	PLUG ツツ(ワレツツ/ハキワ)	Y00K2031	106	17	1109	22217-080000	Y00K2031	38	28	1007
171067-13510	CAP キャップ	Y00K2031	107	6	1110			28-	1	1007
171081-55910	SILENCER スクリーン(100)	Y00K2031	122	29	1109			46	67	1016
172100-22400	SCREEN スクリーン	Y00K2031	110	8	1113			81	40	1605
172100-53200	CIRCLIP ハツキワ(クワ)	Y00K2031	121	10	1108			82	55	1606
172200-61220	GASKET ハツキワ	Y00K2031	125	5	1112			84	15	1608
174100-54120	PIN, GOVERNOR WEIGHT ピン	Y00K2031	120	13	1107			95	24	1103
174307-51170	PIN, ROLLER ピン	Y00K2031	120	6	1107			100	13	1103
174307-51181	RETAINER A リテーナ	Y00K2031	120	7	1107			1	22	1802
174307-51700	RETAINER B リテーナ	Y00K2031	120	28	1107			9	7	1810
22117-050000	SHIM SET ワシヤ	Y00K2031	120	32	1107			10	7	1811
	WASHER 5							13	34	1814
								15	50	1816
								17	44	1C02
								19	25	1C04
								21	20	1C06
								23	20	1C08
								25	16	1C10
								26	11	1C11
								30	3	1C15
								32	22	1001
								38	27	1007
								39	33	1008
								40	34	1009
								43	33	1012
								45	2	1014
								46	66	1015
								49	50	1E04

7"K" 7"K" 7"K" PART NO.	7"K" 7"K" DESCRIPTION	PC NO.	7"K" 7"K" 7"K" GRP. REF. LOC. NO.	7"K" 7"K" 7"K" PART NO.	7"K" 7"K" DESCRIPTION	PC NO.	7"K" 7"K" 7"K" GRP. REF. LOC. NO.
22217-080000	SPRING WASHER 8 7"K" 7"K" 8	Y00K2031	53 15 1E08 81 35 1G05 82 51 1G06 83 53 1G07 84 12 1G08 86 7 1G10 95 15 1H03 27 1H03 99 27 1I02 100 5 1I03 107 5 1I10	22312-080160	PARALLEL PIN 4X 8 7"K" 7"K" 8X16	Y00K2031	109 3 1112
				22312-080200	PARALLEL PIN 8X16 7"K" 7"K" 8X20	Y00K2031	99 11 1102
				22322-030180	PARALLEL PIN 8X20 7"K" 7"K" 3X18	Y00K2031	125 2 1J12
				22322-030200	TAPER PIN 3X18 7"K" 7"K" 3X20	Y00K2031	126 3 1J13
				22351-030010	TAPER PIN 3X20 7"K" 7"K" 3.0AX 10	Y00K2031	125 11 1J12
				22351-040008	SPRING PIN 3X10 7"K" 7"K" 4.0AX 8	Y00K2031	125 12 1J12
22217-100000	SPRING WASHER 10 7"K" 7"K" 10	Y00K2031	1 10 1B02 9 8 1B10 19 1B10 10 8 1B11 19 1B11 13 33 1B14 15 49 1B16 21 19 1C06 23 14 1C08 26 12 1C11 36 12 1D05 38 26 1D07 39 34 1D08 40 35 1D09 43 34 1D12 49 49 1E04 78 28 1G02 81 34 1G05 82 50 1G06 130 19 1K01	22351-040010	SPRING PIN 4X 8 7"K" 7"K" 4.0AX 10	Y00K2031	100 6 1I03
				22351-060012	SPRING PIN 4X10 7"K" 7"K" 6.0AX 12	Y00K2031	99 31 1I02
				22417-080500	SPRING PIN 6X12 7"K" 7"K" 8X50	Y00K2031	5 16 1B06
				22451-060000	COTTER PIN 8X50 7"K" 7"K" 0.6	Y00K2031	126 17 1J13
				22512-070180	WIRE 0.6 7"K" 7"K" 7X18	Y00K2031	109 4 1E12
				22512-070300	KEY 7X 18 7"K" 7"K" 7X30	Y00K2031	5 1112 108 4 1I11
				23000-060000	KEY 7X 30 7"K" 7"K" 60	Y00K2031	106 18 1I09
				23010-038000	CLAMP 60 7"K" 7"K" 38	Y00K2031	118 11 1J05
				23061-060350	CLAMP 38 7"K" 7"K" 6X350	Y00K2031	124 21 1J11
				23065-130650	PIPE 6X 350 7"K" 7"K" 13X 650	Y00K2031	103 5 1I06
22217-120000	SPRING WASHER 12 7"K" 7"K" 12	Y00K2031	1 20 1B02 3 30 1B04 9 17 1B10 10 17 1B11 23 11 1C08 45 13 1D14	23414-080000	PIPE 13X 650 7"K" 7"K" 8	Y00K2031	102 3 1I05
				23414-080012	PACKING 8 7"K" 7"K" 8	Y00K2031	115 6 1J02 124 19 1J11
				23414-100000	PACKING -8 7"K" 7"K" 10	Y00K2031	115 7 1J02
22242-000140	CIRCLIP 14 7"K" 7"K" 14	Y00K2031	105 54 1I08	23418-060000	PACKING -10 7"K" 7"K" 6	Y00K2031	122 30 1J09
22252-000600	CIRCLIP 60 7"K" 7"K" 60	Y00K2031	72 23 1F12	23871-020000	PACKING 6, NYLON 7"K" 7"K" PT 1/4	Y00K2031	105 14 1I08
22252-000720	CIRCLIP 72 7"K" 7"K" 72	Y00K2031	2 8 1B03	23871-030000	PLUG PT 1/4 7"K" 7"K" PT 3/8	Y00K2031	105 15 1I08
22252-000800	CIRCLIP 80 7"K" 7"K" 80	Y00K2031	8 11 1B09	23873-030000	PLUG PT 3/8 7"K" 7"K" PT 3/8	Y00K2031	105 20 1I08
22272-000060	CIRCLIP E- 6 7"K" 7"K" 6	Y00K2031	125 14 1J12	24101-062024	PLUG PT 3/8 7"K" 7"K" 6202	Y00K2031	116 9 1J03 102 4 1I05
22312-030080	PARALLEL PIN 3X 8 7"K" 7"K" 3X 8	Y00K2031	126 16 1J13 126 9 1J13	24101-062054	BALL BEARING 7"K" 7"K" 6205	Y00K2031	102 5 1I05
22312-040080	PARALLEL PIN 4X 8 7"K" 7"K" 4X 8	Y00K2031	125 10 1J12		BALL BEARING		

7777777777 PART NO.	7777777777 DESCRIPTION	PC NO.	7777777777 GRP.	7777777777 REF.	7777777777 LOC. NO.	7777777777 PART NO.	7777777777 DESCRIPTION	PC NO.	7777777777 GRP.	7777777777 REF.	7777777777 LOC. NO.
24101-063050	6305 BALL BEARING	Y00K2031	100	19	1103	26106-080122	8X 12 BOLT M 8X 12 PLATED	Y00K2031	126	18	1113
24190-110001	11/32 BALL 11/32	Y00K2031	105	43	1108	26106-080142	8X 14 BOLT M 8X 14 PLATED	Y00K2031	107	11	1110
24311-000040	04.0 O-RING 1A P-4.0	Y00K2031	122	11	1109	26106-080162	8X 16 BOLT M 8X 16 PLATED	Y00K2031	103	7	1106
24311-000070	07.0 O-RING 1A P-7.0	Y00K2031	126	4	1113	26106-080182	8X 18 BOLT M 8X 18 PLATED	Y00K2031	106	20	1109
24311-000100	10.0 O-RING 1A P-10.0	Y00K2031	99	12	1102	26106-080752	8X 75 BOLT M 8X 75 PLATED	Y00K2031	119	4	1106
24311-000120	12.0 O-RING 1A P-12.0	Y00K2031	105	55	1108	26106-080822	8X 82 BOLT M 8X 82 PLATED	Y00K2031	100	20	1103
24311-000160	16.0 O-RING 1A P-16.0	Y00K2031	118	12	1105	26106-080852	8X 85 BOLT M 8X 85 PLATED	Y00K2031	116	15	1103
24311-000320	32.0 O-RING 1A P-32.0	Y00K2031	105	40	1108	26106-080872	8X 87 BOLT M 8X 87 PLATED	Y00K2031	100	15	1103
24311-240100	10A O-RING 1A P-10A	Y00K2031	122	6	1109	26106-081052	8X 105 BOLT M 8X 105 PLATED	Y00K2031	116	16	1103
24315-000200	20.0 O-RING 1B P-20.0	Y00K2031	8	16	1109	26106-081152	8X 115 BOLT M 8X 115 PLATED	Y00K2031	116	17	1103
24321-000600	60.0 O-RING 1A G-60.0	Y00K2031	60	6	1E15	26116-060102	6X 10 BOLT M 6X 10 PLATED	Y00K2031	100	21	1103
24341-000400	40.0 O-RING 1A S-40.0	Y00K2031	103	6	1106	26116-060122	6X 12 BOLT M 6X 12 PLATED	Y00K2031	38	24	1007
24341-000460	46.0 O-RING 1A S-46.0	Y00K2031	102	6	1105	26116-060142	6X 14 BOLT M 6X 14 PLATED	Y00K2031	123	9	1110
24341-001350	135.0 O-RING 1A S-135.0	Y00K2031	101	7	1104			Y00K2031	25	31	1C10
24761-020000	PT1/8 NIPPLE PT1/8, GREASE	Y00K2031	28	1	1C13			Y00K2031	84	14	1G08
24761-040000	B, GREASE NIPPLE B, GREASE	Y00K2031	97	26	1H05			Y00K2031	13	38	1B14
26013-060222	6X 22 BOLT M 6X 22	Y00K2031	5	17	1B06			Y00K2031	15	53	1B16
26013-080202	8X 20 BOLT M 8X 20	Y00K2031	112	4	1115	26116-060162	6X 16 BOLT M 6X 16 PLATED	Y00K2031	81	39	1G05
26013-080352	8X 35 BOLT M 8X 35	Y00K2031	101	6	1104	26116-060202	6X 20 BOLT M 6X 20 PLATED	Y00K2031	82	54	1G06
26014-060162	6X 16 BOLT M 6X 16	Y00K2031	106	19	1109	26116-060252	6X 25 BOLT M 6X 25 PLATED	Y00K2031	46	64	1D15
26014-080252	8X 25 BOLT M 8X 25	Y00K2031	117	7	1104	26116-080122	8X 12 BOLT M 8X 12 PLATED	Y00K2031	21	17	1C06
26106-060142	6X 14 BOLT M 6X 14 PLATED	Y00K2031	127	8	1114			Y00K2031	15	52	1B16
26106-060222	6X 22 BOLT M 6X 22 PLATED	Y00K2031	99	30	1102			Y00K2031	82	53	1G06
26106-060322	6X 32 BOLT M 6X 32 PLATED	Y00K2031	117	8	1114			Y00K2031	9	28	1B10
26106-060402	6X 40 BOLT M 6X 40 PLATED	Y00K2031	125	13	1112			Y00K2031	19	20	1C04
26106-080122	8X 12 BOLT M 8X 12 PLATED	Y00K2031	116	11	1103	26116-080142	8X 14 BOLT M 8X 14 PLATED	Y00K2031	26	10	1C11
								Y00K2031	38	16	1D07
								Y00K2031	84	11	1G08
								Y00K2031	86	5	1G10
								Y00K2031	15	39	1B16
								Y00K2031	17	36	1C02
								Y00K2031	21	16	1C06
								Y00K2031	25	15	1C10
								Y00K2031	82	40	1G06

PART NO.	DESCRIPTION	PC NO.	GRP.	REF.	LOC.NO.	PART NO.	DESCRIPTION	PC NO.	GRP.	REF.	LOC.NO.
26756-080002	LOCK NUT M 8 PLATED	Y00K2031	105	36	1108	721551-01540	BEARING PIN	Y00K2031	99	15	1102
26776-120002	ナット (ネ) 12	Y00K2031	126	20	1J13	721551-01561	クランクシャフト CMP	Y00K2031	99	1	1102
26776-180002	LOCK NUT M12 PLATED	Y00K2031	109	14	1E12	724060-53101	SUMP ASSY, LUB OIL	Y00K2031	121	1	1J08
26921-080102	ナット (ネ) 18	Y00K2031	105	56	1108	724550-51520	VALVE ASSY, F. INJECT	Y00K2031	120	9	1J07
27241-300000	LOCK NUT M18 PLATED	Y00K2031	99	13	1102	729335-01612	2TR13 FOR CMP	Y00K2031	100	1	1103
28110-100120	SCREW M 8X10	Y00K2031	59	1	1E14	771056-11700	GUIDE ASSY, PLUNGER	Y00K2031	105	1	1108
	ナット (ネ) 8X10						ハウジング CMP				
	WRENCH 10X12						HOUSING ASSY, GEARS				
28110-140170	ナット 14X17	Y00K2031	132	3	1K03	933110-00100	HEAD ASSY, CYLINDER	Y00K2031	25	5	1C10
	WRENCH 14X17		59	2	1E14		クランクシャフト CMP				
28110-190220	ナット 19X22	Y00K2031	132	4	1K03	933110-00301	SWITCH ASSY, STARTER	Y00K2031	131	4	1K02
	WRENCH 19X22		59	3	1E14		キー	Y00K2031	25	6	1C10
28210-000140	オイルフィーダー	Y00K2031	132	5	1K03				131	5	1K02
	OIL FEEDER		59	5	1E14						
43400-500450	パッキング 12	Y00K2031	99	18	1102						
	PACKING										
705311-22500	リングセット	Y00K2031	126	21	1J13						
	RING SET		110	3	1I13						
711100-51540	ローラー CMP	Y00K2031	120	10	1J07						
	ROLLER ASSY										
721450-11650	カムアーム CMP	Y00K2031	105	25	1108						
	ARM ASSY, ROCKER										
721450-11660	カムアーム CMP	Y00K2031	105	31	1108						
	ARM ASSY, ROCKER										
721500-21700	クランクシャフト CMP	Y00K2031	109	1	1E12						
	CRANKSHAFT ASSY										
721522-51700	燃料ポンプ	Y00K2031	120	1	1J07						
	FUEL INJECTION PUMP										
721527-13500	マニホールド CMP	Y00K2031	107	1	1I10						
	MANIFOLD ASSY, EXH.										
721550-02500	ハウジング CMP	Y00K2031	101	1	1104						
	HOUSING ASSY										
721550-02611	ハウジング CMP	Y00K2031	101	8	1104						
	HOUSING ASSY										
721550-02621	ハウジング CMP	Y00K2031	101	14	1104						
	HOUSING ASSY										
721550-02800	メインベアリング	Y00K2031	101	11	1104						
	MAIN BEARING										
721550-02810	メインベアリング	Y00K2031	101	17	1104						
	MAIN BEARING										
721550-14580	カムシャフト CMP	Y00K2031	108	1	1I11						
	CAMSHAFT ASSY										
721550-23100	コネクティングロッド CMP	Y00K2031	111	1	1I14						
	ROD ASSY, CONNECTING										
721550-23600	コネクティングロッド CMP	Y00K2031	111	5	1I14						
	ROD ASSY, CONNECTING										

TOTAL (ITEM= 1,730) (REF.= 3,382)

7"ע"ס ח"א ח"א ח"א PART NO.	7"ע"ס ח"א DESCRIPTION	PC NO.	7"ע"ס ח"א ח"א ח"א GRP. REF. LOC. NO.	7"ע"ס ח"א ח"א ח"א PART NO.	7"ע"ס ח"א DESCRIPTION	PC NO.	7"ע"ס ח"א ח"א ח"א GRP. REF. LOC. NO.
E0001335206	ח"א ח"א ח"א PIN, BUCKET CYL. ROD	Y00K2031	97 16- 1 1H05	E1721040608	7"ע"ס ח"א ח"א ח"א M 6X 8 LOCK SCREW M 6X 8	Y00K2031	17 37- 1 1C02
E0007200054	ח"א ח"א ח"א ELBOW, LONG	Y00K2031	30 8 1C15	E1210000320	7"ע"ס ח"א ח"א ח"א COTTER PIN 3X20	Y00K2031	19 27- 1 1C04
E0094026500	ח"א ח"א ח"א FOOT, ENGINE	Y00K2031	23 1- 1 1C08	E1513500010	7"ע"ס ח"א ח"א ח"א PLUG	Y00K2031	61 54 1E16
E0094290070	7"ע"ס ח"א ח"א ח"א WIRE HARNESS ASSY	Y00K2031	26 1- 2 1C11	E1560001000	7"ע"ס ח"א ח"א ח"א NIPPLE, GREASE	Y00K2031	97 26- 1 1H05
E0094290080	7"ע"ס ח"א ח"א ח"א WIRE HARNESS ASSY	Y00K2031	26 1- 3 1C11	E1654604690	7"ע"ס ח"א ח"א ח"א L=690 SEAL, RUBBER	Y00K2031	46 62- 1 1D15
E0096132400	ח"א ח"א ח"א ARM, LINK	Y00K2031	48 30- 1 1E03	E1655200003	7"ע"ס ח"א ח"א ח"א CLAMP	Y00K2031	26 39 1C11
E0096190001	ח"א ח"א ח"א ARM ASSY, LINK	Y00K2031	49 30- 1 1E04 48 29- 1 1E03	E1900026600	7"ע"ס ח"א ח"א ח"א CYL. ASSY, MAIN BOOM	Y00K2031	49 41- 1 1E04
E0096236000	7"ע"ס ח"א ח"א ח"א BUCKET ASSY, EJECTOR	Y00K2031	49 29- 1 1E04 97 1- 1 1H05	E1900029300	7"ע"ס ח"א ח"א ח"א CYLINDER, MAIN BOOM	Y00K2031	48 41- 1 1E03
E0096236100	7"ע"ס ח"א ח"א ח"א BUCKET	Y00K2031	97 2- 1 1H05	E1900029304	7"ע"ס ח"א ח"א ח"א RETAINER	Y00K2031	64 1- 1 1F04
E0096236200	ח"א ח"א ח"א ARM, LINK	Y00K2031	97 10- 1 1H05	E1900029316	7"ע"ס ח"א ח"א ח"א BEARING	Y00K2031	64 16- 1 1F04
E0096290012	ח"א ח"א ח"א ARM ASSY, LINK	Y00K2031	97 9- 1 1H05	E1901501100	ח"א ח"א ח"א ח"א ח"א VALVE, COUNTER BALAN.	Y00K2031	4 3- 1 1B05
E0098274800	7"ע"ס ח"א ח"א ח"א COVER, ENGINE	Y00K2031	39 1- 1 1D08 40 6- 1 1D09 43 1- 1 1D12	E1913002800	ח"א ח"א ח"א ח"א BEARING, TURNING	Y00K2031	1 12- 1 1B02
E0098274900	ח"א ח"א ח"א	Y00K2031	39 14- 1 1D08 40 15- 1 1D09 43 14- 1 1D12	22217-080000	ח"א ח"א ח"א ח"א SPRING WASHER 8	Y00K2031	17 44- 1 1C02
E0103216200	ח"א ח"א ח"א COVER, LEVER	Y00K2031	17 46 1C02				
E0103219200	ח"א ח"א ח"א CATCH	Y00K2031	19 3- 1 1C04				
E0106014100	7"ע"ס ח"א ח"א ח"א COVER, BOOM CYLINDER	Y00K2031	49 44- 1 1E04				
E0106014400	ח"א ח"א ח"א COVER, ROD	Y00K2031	49 45- 1 1E04				
E0108213900	ח"א ח"א ח"א COVER, TOOL BOX	Y00K2031	39 7- 1 1D08 40 11- 1 1D09 43 7- 1 1D12				
E0108217500	ח"א ח"א ח"א COVER, CONTROL	Y00K2031	39 9- 1 1D08 40 12- 1 1D09 43 9- 1 1D12				
E0108217600	ח"א ח"א ח"א STAND	Y00K2031	39 8- 1 1D08				
E0108217700	ח"א ח"א ח"א STAND	Y00K2031	43 8- 1 1D12 40 3- 1 1D09				
E1100040625	ח"א ח"א ח"א BOLT	Y00K2031	17 47 1C02				